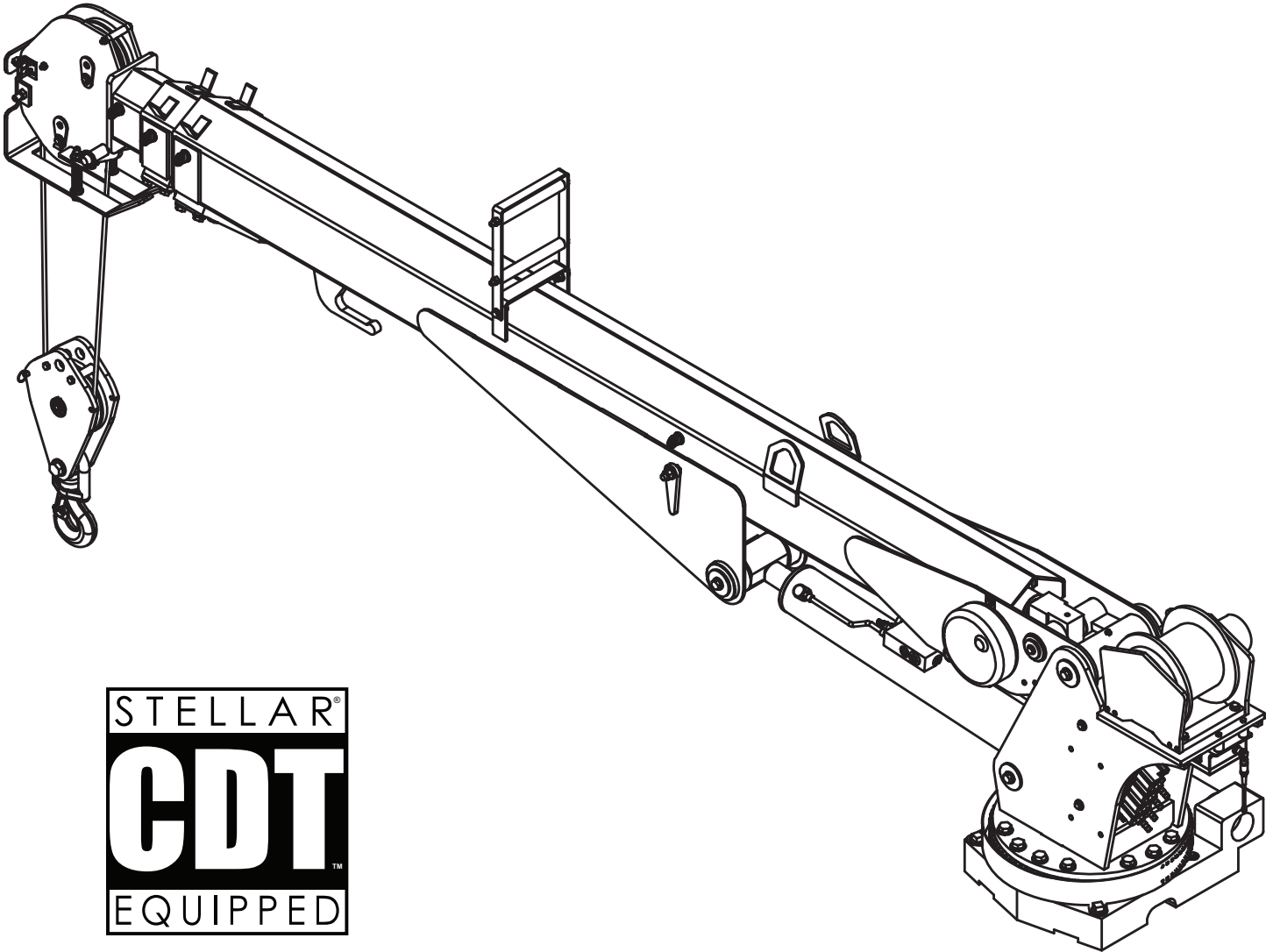




MODEL 5521

TELESCOPIC CRANE OWNERS' MANUAL

Installation • Assembly Drawings • Parts



Stellar Industries, Inc.

190 State Street

PO Box 169

Garner, IA 50438

800-321-3741

Fax: 641-923-2811

www.stellarindustries.com

Subject to Change without Notification.
© 2013 Stellar Industries, Inc.

Last Revision: 07/30/13

5521 Manual Revisions

Date of Revision	Section Revised	Description of Revision
June 20th, 2013	Chapter 2: Installation Chapter 4: Replacement Parts	Updated Decal Kit and Replacement Parts.

Table of Contents

Chapter 1 - Specifications	1
Model Stellar® 5521 Crane Specifications Sheet	1
Stellar® 5521 Geometric Measurements	2
Capacity Chart - Decal PN 57598	3
Chapter 2 - Installation	5
Installation Overview	6
Control Kit (Flip Sheave/CDT Boost) - PN 57913	7
Control Kit (Flip Sheave/CDT Non-Boost) - PN 59154	8
Control Kit (Flip Sheave/12V/CDT Boost) - PN 58276	9
Control Kit (Flip Sheave/12V/CDT Non-Boost) - PN 59522	10
Control Kit (Cradle A2B/CDT Boost) - PN 59138	11
Control Kit (Cradle A2B/CDT Non-Boost) - PN 59155	12
Control Kit (Cradle A2B/12V/CDT Boost) - PN 59523	13
Control Kit (Cradle A2B/12V/CDT Non-Boost) - PN 59524	14
Wiring Diagram (Electrical Version)	15
Hydraulic Kit - PN 58277	16
Hydraulic Kit (12 Volt Version) - PN 58279	17
Valve Bank - PN 44530	18
Hydraulic Installation	19
Hydraulic System	20
Stability Procedure	21
Decal Kit Placement - PN 57304	22
Chapter 3 - Assembly Drawings	23
Base Assembly - PN 50364	23
Mast Assembly - PN 57577	24
Main Boom Assembly - PN 57581	25
Extension Boom Assembly (Flip Sheave) - PN 57593	26
Extension Boom Assembly (Cradle A2B) - PN 58290	27
Extension Boom Assembly (Flip Sheave - 1 Hyd/1 Manual) - PN 57935	28
Extension Boom Assembly (Cradle A2B - 1 Hyd/1 Manual) - PN 59146	29
Main Cylinder Assembly - PN 54942	30
Extension Cylinder Assembly - PN 49316	31
Extension Cylinder Assembly (1 Hyd/1 Manual) - PN 57936	32
Cable & Hook Assembly - PN 57597	33
Power Unit Assembly - PN 57939	34
CDT™ Radio Transmitter Assembly - PN 56647	35
Chapter 4 - Replacement Parts	37

Find a Dealer Near You:

<http://www.stellarindustries.com/pages/dist/distsearch.htm>

**For Technical Questions, Information, Parts, or Warranty, Call Toll-Free at
800-321-3741**

Hours: Monday - Friday, 8:00 a.m. - 5:00 p.m. CST

Or email at the following addresses:

Technical Questions, and Information
Order Parts
Warranty Information

service@stellarindustries.com
parts@stellarindustries.com
warranty@stellarindustries.com

About this manual

A copy of this manual is provided with every crane and can be found in the hard plastic manual case that is installed on the chassis. A copy of this manual shall remain with the crane at all times.

Throughout the manual, three signal words will be used to bring attention to important items:

NOTICE

A NOTICE signal word indicates a practice not related to physical injury.

⚠ WARNING

A WARNING signal word indicates a hazardous situation which, if not avoided, could result in death or serious injury.

⚠ DANGER

A DANGER signal word indicates a hazardous situation which, if not avoided, will result in death or serious injury.

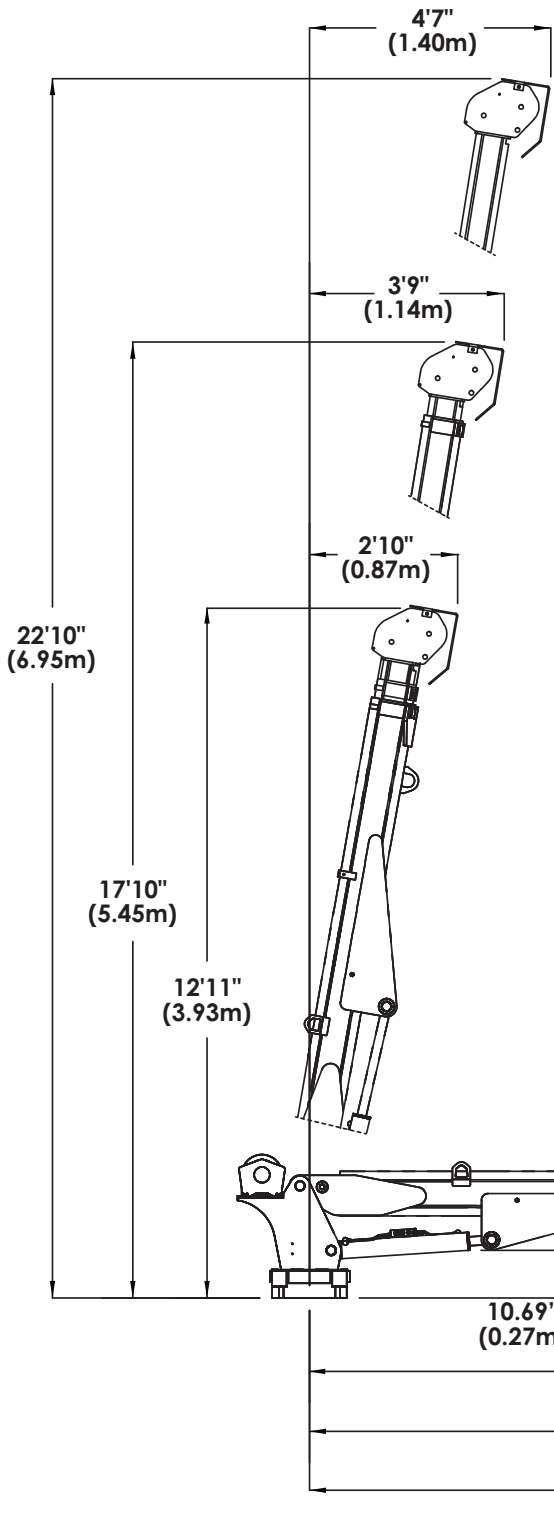
Information contained within this manual does not cover operation, maintenance, or troubleshooting. Please refer to the General EC Series Crane Manual for details on these items.

This manual is not binding. Stellar Industries, Inc. reserves the right to change, at any time, any or all of the items, components, and parts deemed necessary for product improvement or commercial/production purposes. This right is kept with no requirement or obligation for immediate mandatory updating of this manual.

If more information is required or technical assistance is needed, or if you feel that any part of this manual is unclear or incorrect, please contact the Stellar Customer Service Department by phone at 800-321-3741 or email at service@stellarindustries.com.

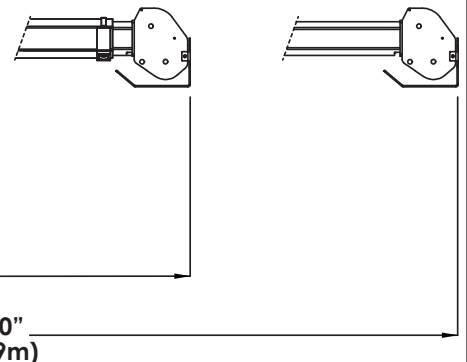
Chapter 1 - Specifications

Model Stellar® 5521 Crane Specifications Sheet

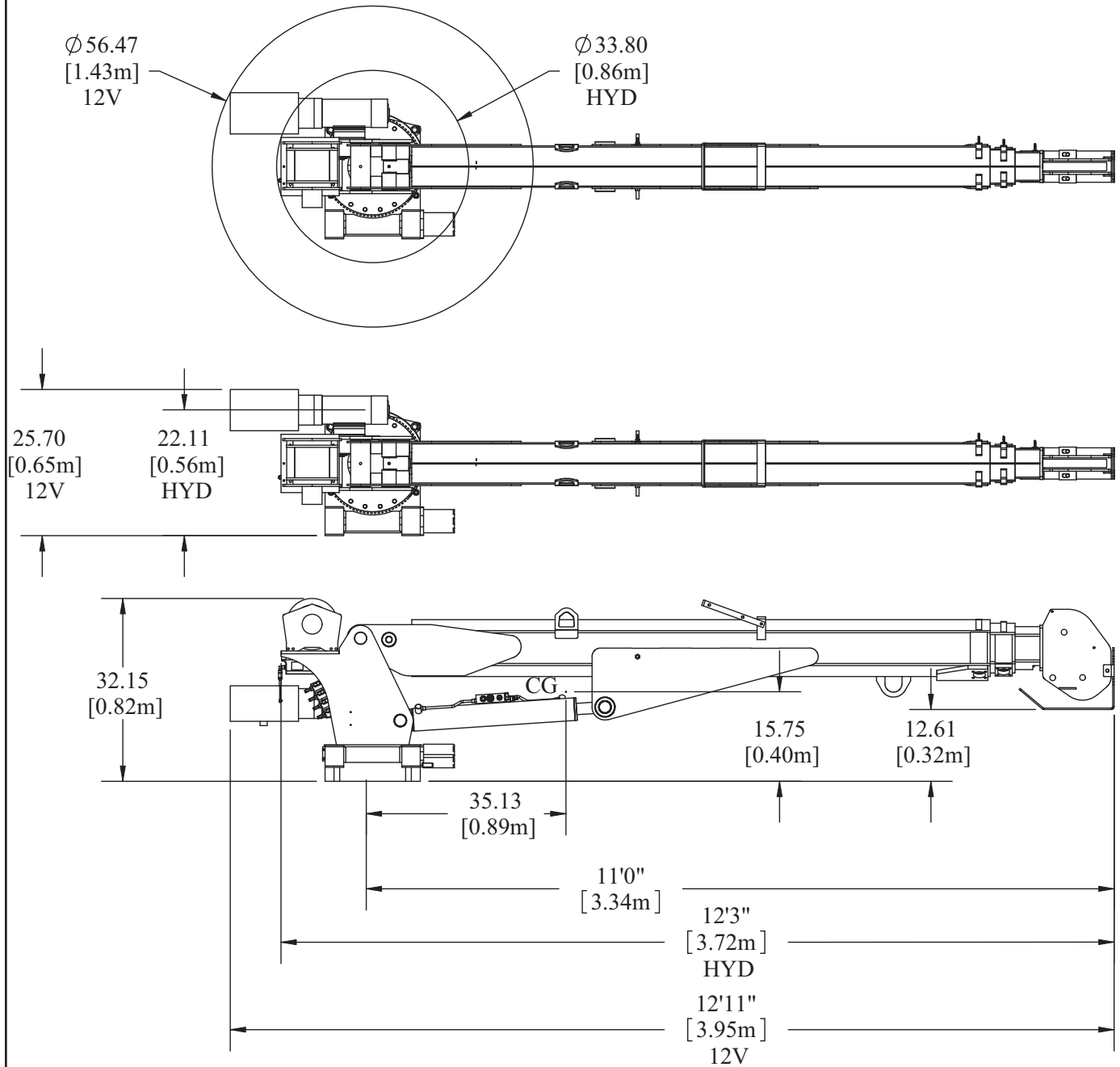


Crane Rating:	29,500 ft-lb (4.1 ton-m)*
Standard Boom Length:	11' 0" (3.35 m) from CL of crane
Boom Extension:	1st stage: Hydraulic 60" (152.4 cm) 2nd stage: Manual 60" (152.4 cm) Optional: 2nd stage: Hydraulic 60" (152.4 cm)
Maximum Horizontal Reach:	21' 0" (6.40 m) from CL of Crane
Maximum Vertical Lift: (from crane base)	22' 10" (6.95 m)
Boom Elevation:	-5 to +80 degrees
Stowed Height: (crane only)	32" (81.3 cm)
Mounting Space Required:	20" x 21" (50.8 x 53.3 cm)
Approximate Crane Weight:	1400 lbs (635 kg)
Controls:	Radio control standard for all functions.
Winch Specifications	
Rope Diameter:	5/16" (8 mm)
Line pull speed:	70 ft/min (21.34 m/min) 20 ft/min (6.10 m/min) - Electric Version
Max. single part line:	2500 lbs (1135 kg)
Max. double part line:	5000 lbs (2265 kg)
Rotation: (worm gear)	400 degree power
Lifting Capacities:	5000 lbs @ 5'10" (2265 kg @ 1.78 m)** 1400 lbs @ 21' (635 kg @ 6.40 m)**
Power Supply Required:	PTO & Pump (8.0 gpm @ 2500 psi) (30.31 lpm @ 173 bar) 12 volt power unit (2.0 gpm @ 2500 psi) (7.57 lpm @ 172 bar)

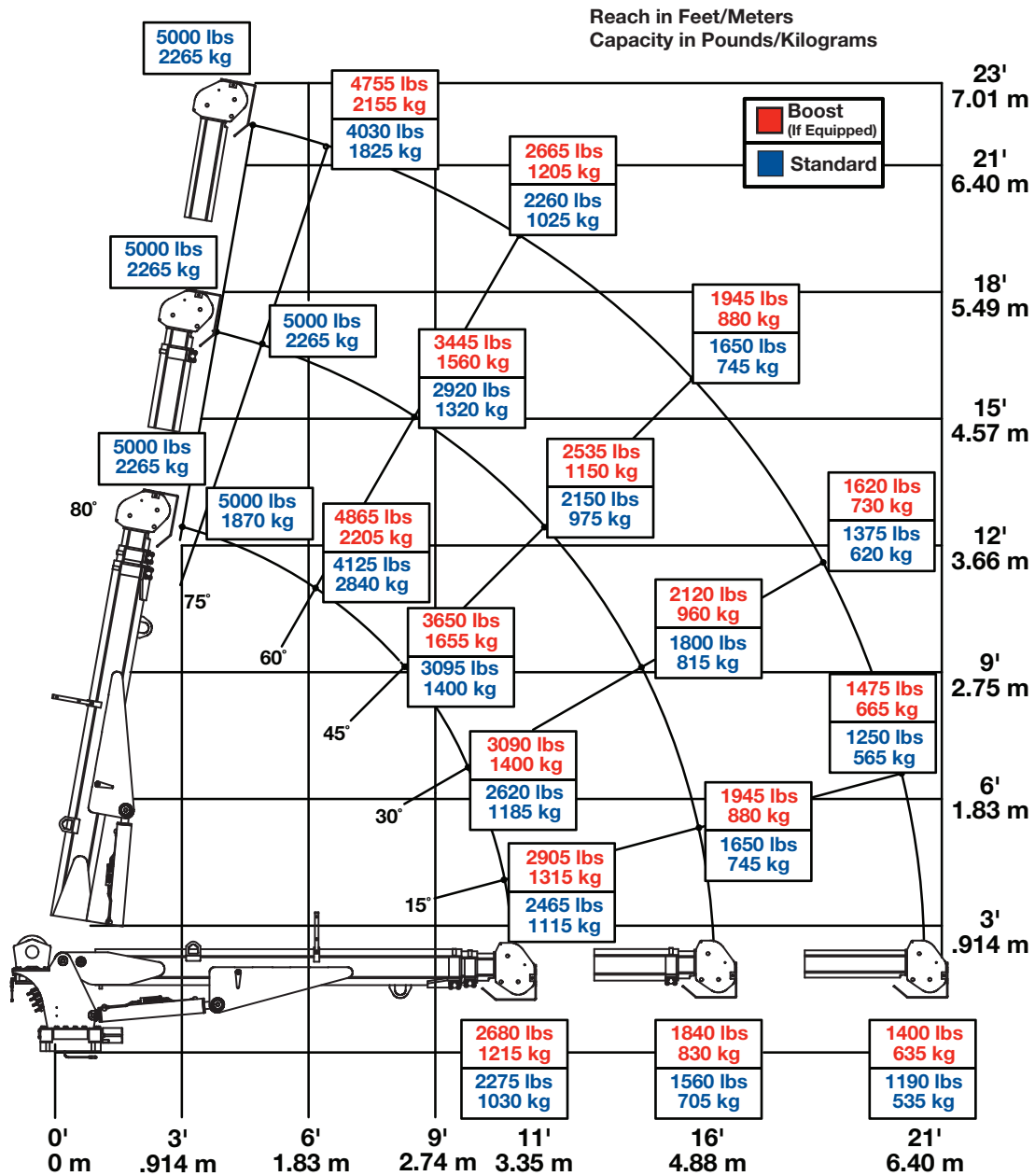
*Crane rating in Boost Mode. Normal crane rating is 25,000 ft-lbs (3.46 ton-m)
**Maximum capacities in Boost Mode.



Stellar® 5521 Geometric Measurements



Capacity Chart - Decal PN 57598



Weight of load handling devices are part of the load lifted and must be deducted from the capacity.

Maximum 1 - part line capacity is 2500 lbs (1130 kg). For greater loads, use 2 - part line.



Chapter 2 - Installation

General Installation

This chapter is designed to serve as a general guide for the installation of a Stellar 5521 Crane on a Stellar Service Body. Each installation is considered unique so certain portions of this chapter may or may not apply to your direct application. If a question should arise during the installation process, please contact Stellar Customer Service at (800) 321 3741.

This crane is designed for use with a Stellar Service Body installed on a vehicle that meets the minimum chassis requirements of the crane. It is the installer's responsibility to assure that the crane is mounted on a platform that will support the maximum crane rating of this crane.

PTO and Pump installation instructions are provided by the corresponding manufacturers. For more information on which PTO and Pump fit your application, please contact your local Stellar Distributor or Stellar Customer Service.

⚠ WARNING Do not install this crane on a body not capable of handling the loads imposed on it. Failure to do so may result in serious injury or death.

NOTICE When installing welder units to the service bodies, it is highly recommended that a surge protector is installed on the chassis batteries to protect the crane radio receiver, wiring and other electronic devices from an unexpected electrical spike or surge. Failure to do so could result in extensive damage to the service body and crane electrical circuit.

Installation Notice

According to Federal Law (49 cfr part 571), each final-stage manufacturer shall complete the vehicle in such a manner that it conforms to the standards in effect on the date of manufacture of the incomplete vehicle, the date of final completion, or a date between those two dates. This requirement shall, however, be superseded by any conflicting provisions of a standard that applies by its terms to vehicles manufactured in two or more stages.

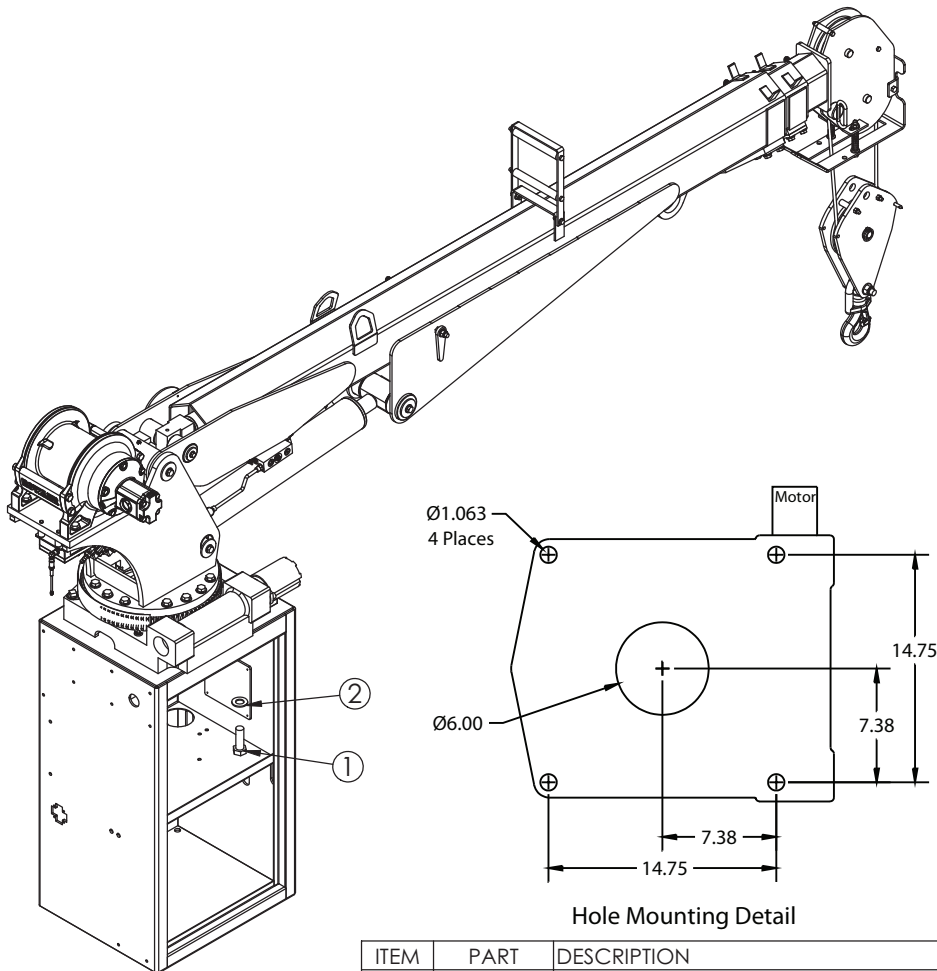
Therefore, the installer of Stellar cranes and bodies is considered one of the manufacturers of the vehicle. As such a manufacturer, the installer is responsible for compliance with all applicable federal and state regulations. They are required to certify that the vehicle is in compliance with the Federal Motor Vehicle Safety Standards and other regulations issued under the National Traffic and Motor Vehicle Safety Act.

Please reference the Code of Federal Regulations, title 49 - Transportation, Volume 5 (400-999), for further information, or visit <http://www.gpoaccess.gov/nara/index.html> for the full text of Code of Federal Regulations.

Installation Overview

1. Determine that the mounting location for the 5521 crane is at least 18" x 20" (45.7 x 50.8 cm).
2. Use the detail below to drill 1.06" diameter holes into the mounting plate. Run tap on the threads of the base to be sure they are clean.
3. Use a crane or lifting device capable of lifting the weight of the Stellar crane. The Stellar 5521 weighs approximately 1400 lbs (635 kg). **Note: cranes are shipped with rotation positioned at 200 degrees of 400 degree system.** This will allow for easy installation of the crane and permanent connection of all hydraulic and electrical components prior to repositioning into the crane saddle.
4. Connect straps or chain from the lifting device to the lifting rings on the Stellar 5521.
5. Use four (4) 1" x 3" #8 bolts and four (4) #8 flat washers.
6. Install a washer on each bolt.
7. Apply Loctite Thread locker #277 to the bolts.
8. Using the lifting device, lower the Stellar 5521 just above the crane compartment and start the bolts. Have someone assist in leveling the crane. **Note: the rotation motor should be to the door side of crane compartment and the boom should be extended back over the rear bumper.**
9. Secure the crane using the mounting hardware provided. **Note: longer or shorter cap screws may be required – recommended thread engagement into crane base is 1.75" – use grade 8, zinc plated cap screws only.**
10. Torque the cap screws to 680 ft-lbs.
11. Remove supporting crane.
12. Hook-up hydraulics and electrical.

Note: If questions should arise during any portion of this installation, please contact Stellar Customer Service at (800) 321-3741.

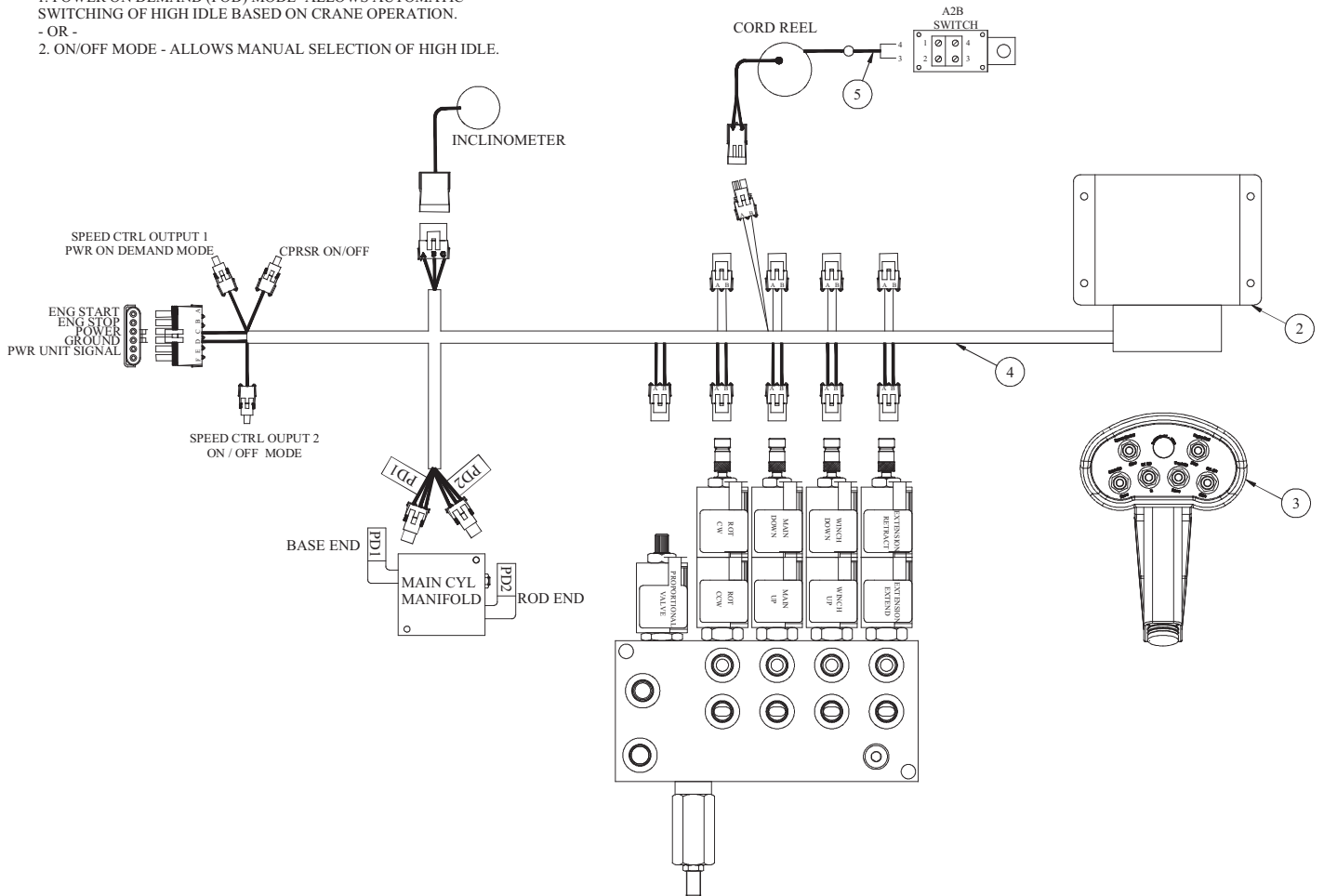


ITEM	PART	DESCRIPTION	QTY.
1	5199	CAP SCR 1.00X8X3.00 HHGR8 ZY	4
2	6538	WASHER 1.00 SAE FLAT YELLOW GR8	4

Control Kit (Flip Sheave/CDT Boost) - PN 57913

*** WIRING OPTIONS FOR REMOTE CONTROL OF ENGINE SPEED:**

1. POWER ON DEMAND (POD) MODE- ALLOWS AUTOMATIC SWITCHING OF HIGH IDLE BASED ON CRANE OPERATION.
- OR -
2. ON/OFF MODE - ALLOWS MANUAL SELECTION OF HIGH IDLE.



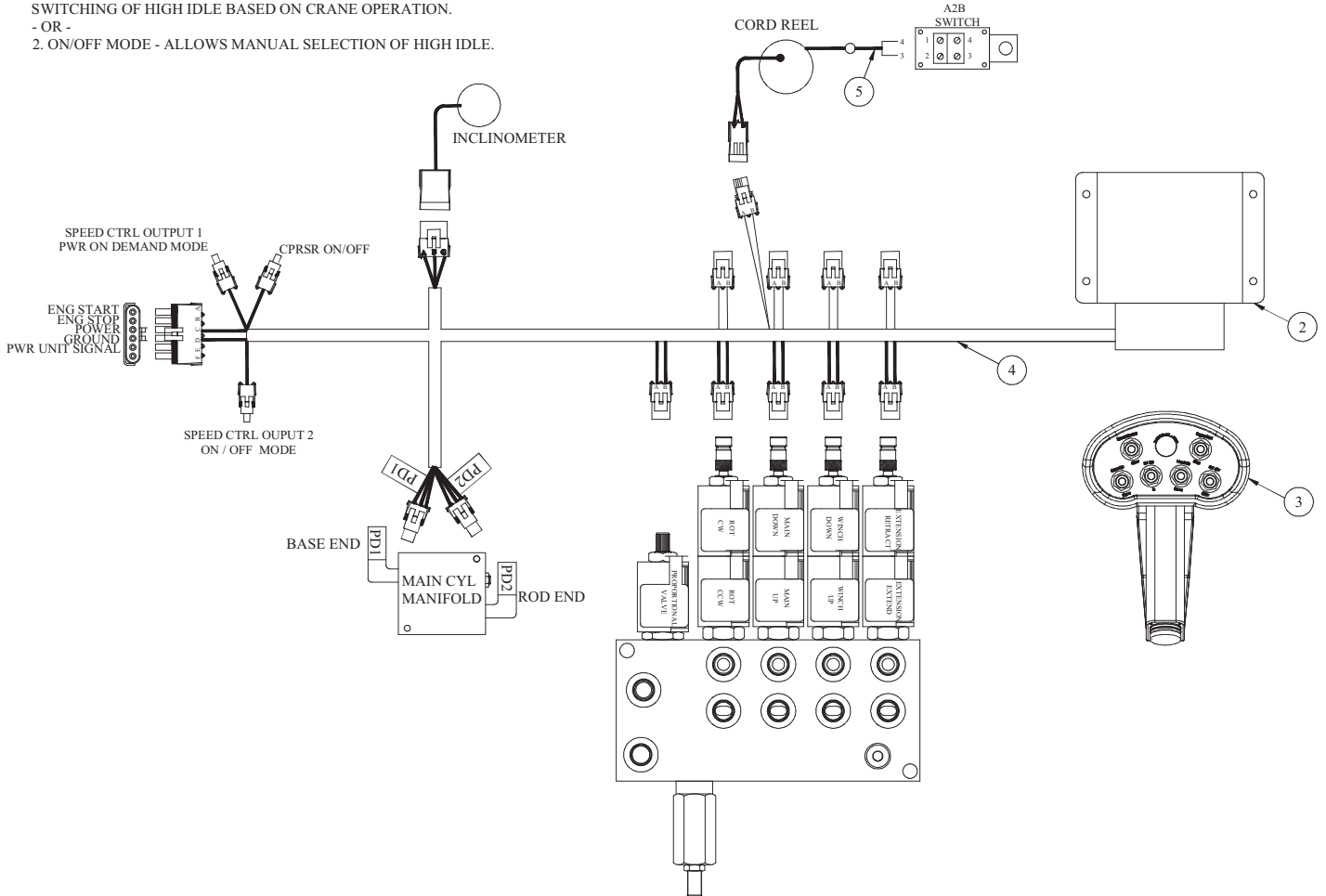
PN 57913

08			
07			
06			
05	10965	CABLE GROMMET	1
04	46307	WIRE HARNESS 12621/12628 LMI	1
03	.	TRANSMITTER - RADIO (PART OF 1)	REF
02	.	RECEIVER - RADIO (PART OF 1)	REF
01	57914	RADIO CONTROLLER ASSEMBLY	1
ITEM	PART No.	DESCRIPTION	QTY

Control Kit (Flip Sheave/CDT Non-Boost) - PN 59154

*** WIRING OPTIONS FOR REMOTE CONTROL OF ENGINE SPEED:**

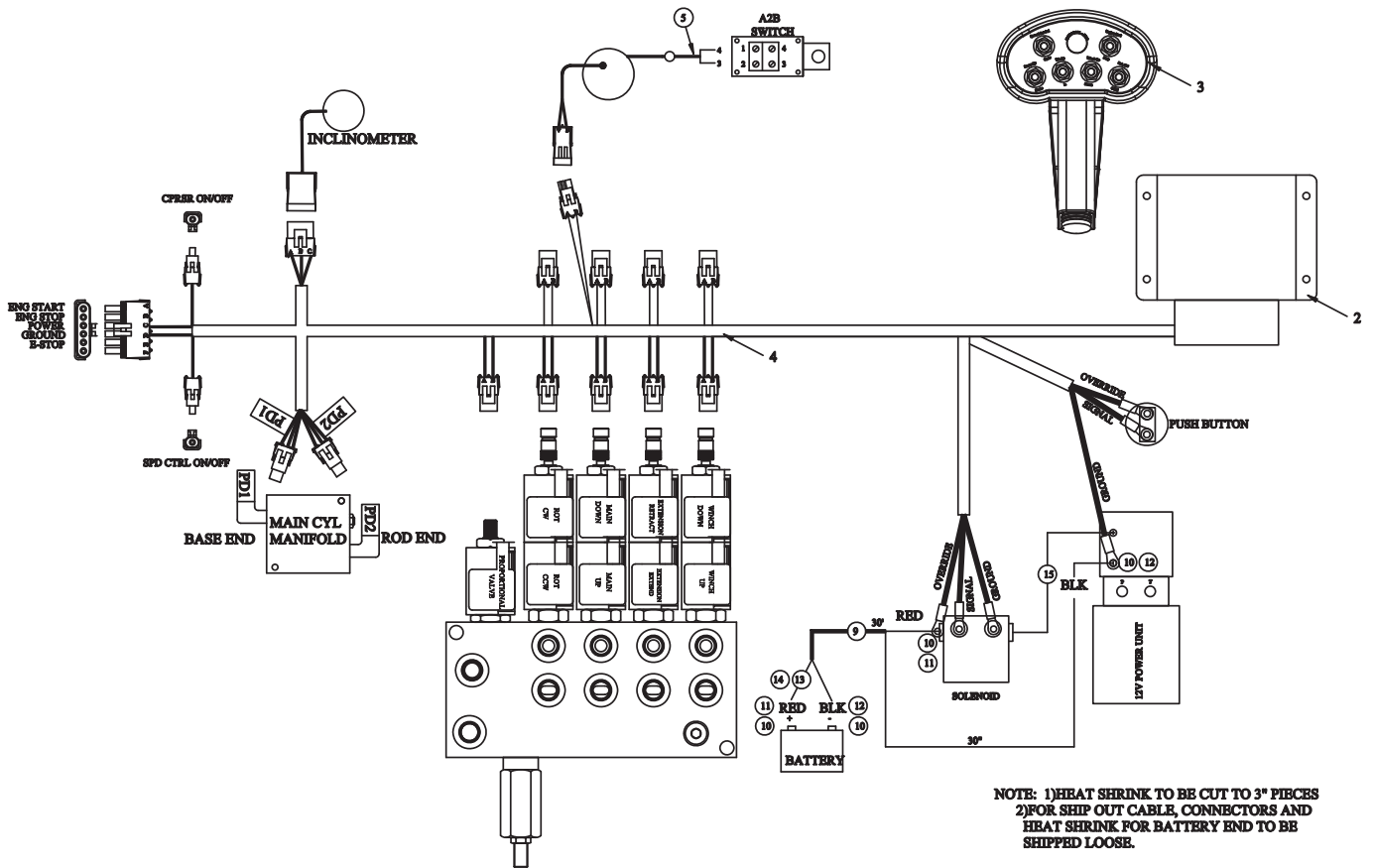
1. POWER ON DEMAND (POD) MODE- ALLOWS AUTOMATIC SWITCHING OF HIGH IDLE BASED ON CRANE OPERATION.
- OR -
2. ON/OFF MODE - ALLOWS MANUAL SELECTION OF HIGH IDLE.



PN 59154

08			
07			
06			
05	10965	CABLE GROMMET	1
04	46307	WIRE HARNESS 12621/12628 LMI	1
03	.	TRANSMITTER - RADIO (PART OF 1)	REF
02	.	RECEIVER - RADIO (PART OF 1)	REF
01	59148	RADIO CONTROLLER ASSEMBLY	1
ITEM	PART No.	DESCRIPTION	QTY

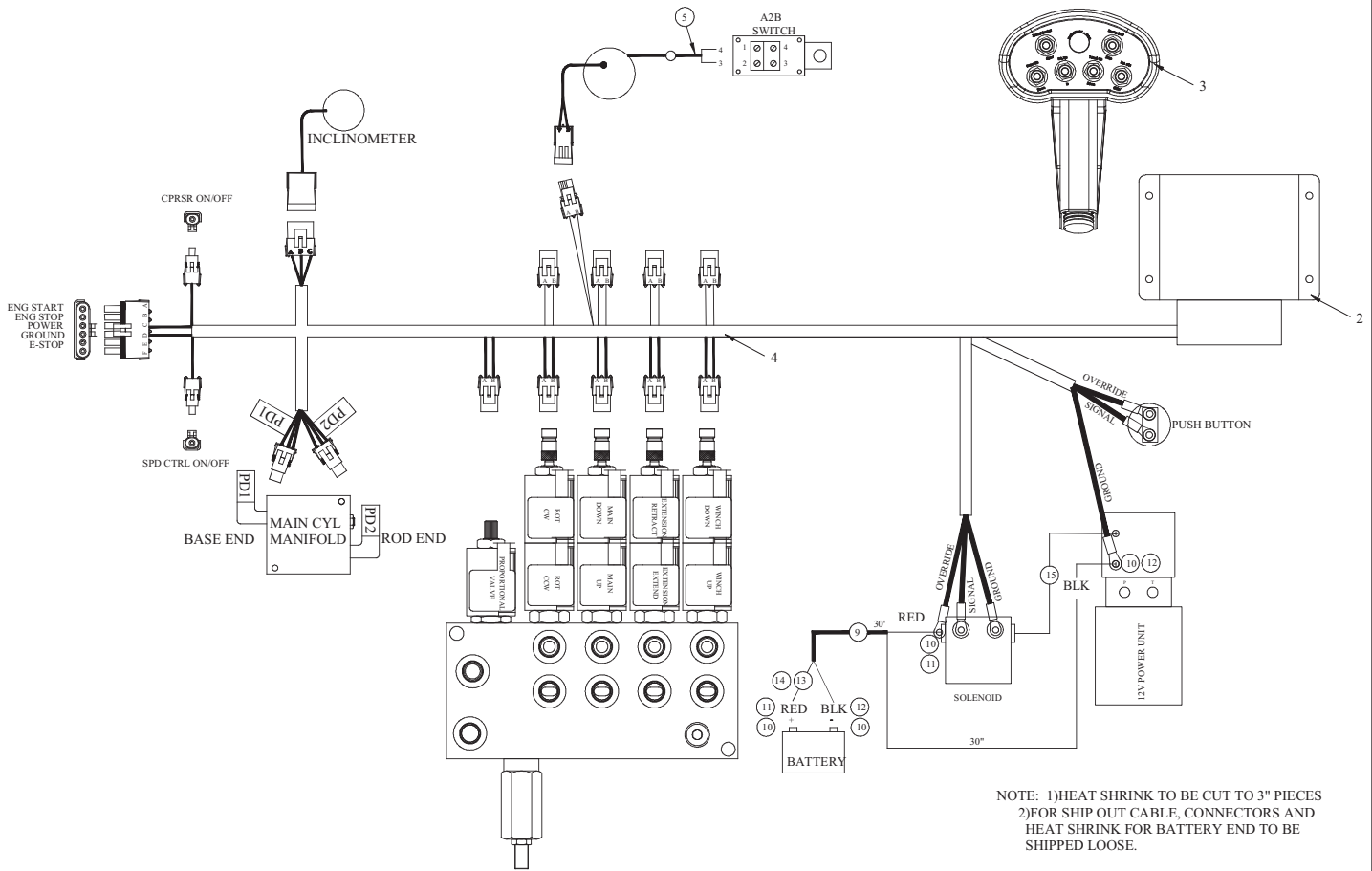
Control Kit (Flip Sheave/12V/CDT Boost) - PN 58276



PN 58276

15	59518	WIRE HARNESS BATTERY CABLE 20"	1
14	32523	FUSE HOLDER	2
13	36435	FUSE 200 AMP	2
12	15218	HEAT SHRINK 0.50 BLK	6"
11	15219	HEAT SHRINK 0.50 RED	6"
10	4466	TERML #1X.38 COPPER LUG	4
09	20466	CABLE #2 2 WIRE	32.5'
08			
07			
06			
05	10965	CABLE GROMMET	1
04	57941	WIRE HARNESS 5521 12V	1
03	.	TRANSMITTER - RADIO (PART OF 1)	REF
02	.	RECEIVER - RADIO (PART OF 1)	REF
01	57914	RADIO CONTROLLER ASSEMBLY	1
ITEM	PART No.	DESCRIPTION	QTY

Control Kit (Flip Sheave/12V/CDT Non-Boost) - PN 59522



NOTE: 1)HEAT SHRINK TO BE CUT TO 3" PIECES
 2)FOR SHIP OUT CABLE, CONNECTORS AND HEAT SHRINK FOR BATTERY END TO BE SHIPPED LOOSE.

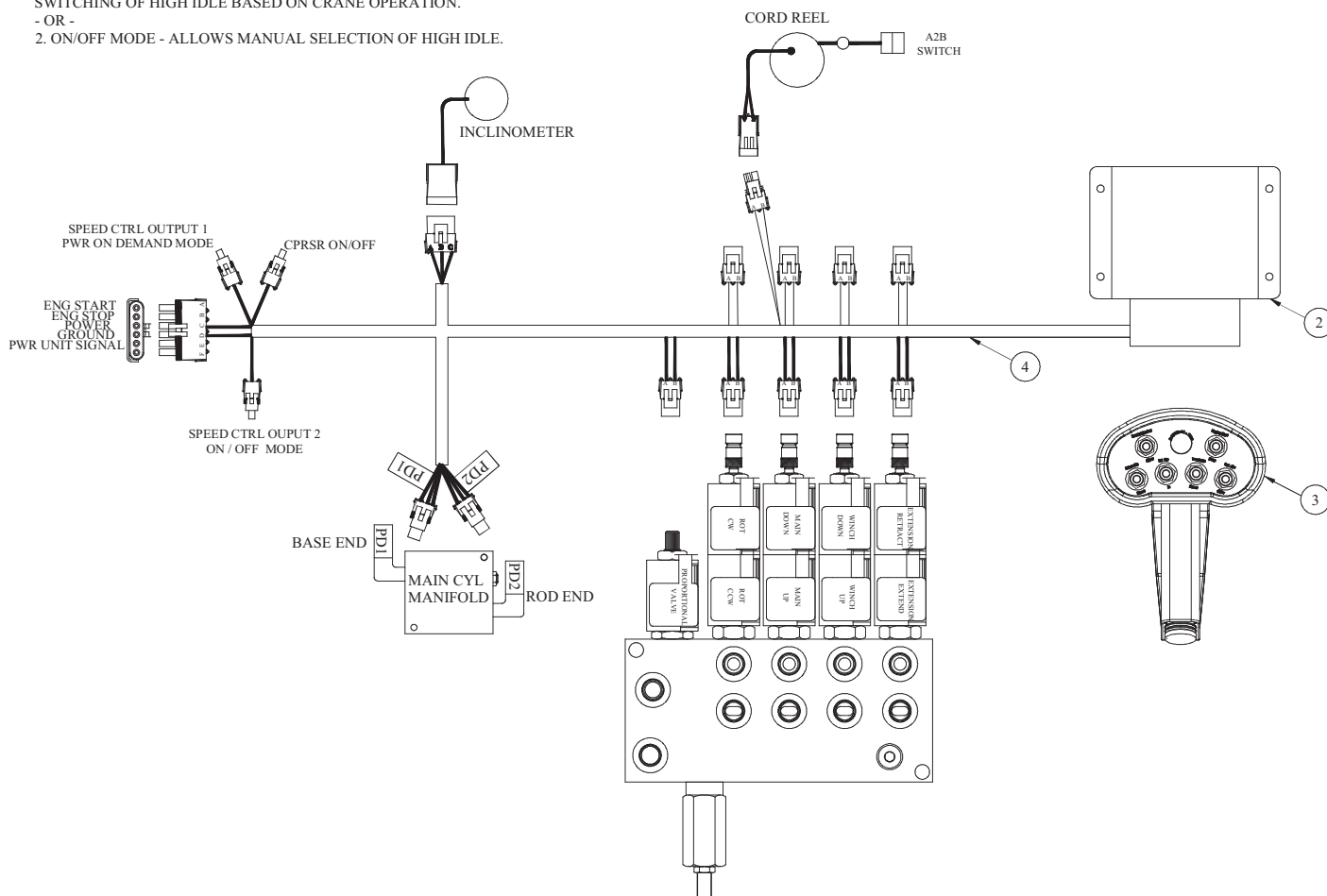
PN 59522

15	59518	WIRE HARNESS BATTERY CABLE 20"	1
14	32523	FUSE HOLDER	2
13	36435	FUSE 200 AMP	2
12	15218	HEAT SHRINK 0.50 BLK	6"
11	15219	HEAT SHRINK 0.50 RED	6"
10	4466	TERML #1X.38 COPPER LUG	4
09	20466	CABLE #2 2 WIRE	32.5'
08			
07			
06			
05	10965	CABLE GROMMET	1
04	57941	WIRE HARNESS 5521 12V	1
03	.	TRANSMITTER - RADIO (PART OF 1)	REF
02	.	RECEIVER - RADIO (PART OF 1)	REF
01	59148	RADIO CONTROLLER ASSEMBLY	1
ITEM	PART No.	DESCRIPTION	QTY

Control Kit (Cradle A2B/CDT Boost) - PN 59138

*** WIRING OPTIONS FOR REMOTE CONTROL OF ENGINE SPEED:**

- 1. POWER ON DEMAND (POD) MODE- ALLOWS AUTOMATIC SWITCHING OF HIGH IDLE BASED ON CRANE OPERATION.
- OR -
- 2. ON/OFF MODE - ALLOWS MANUAL SELECTION OF HIGH IDLE.



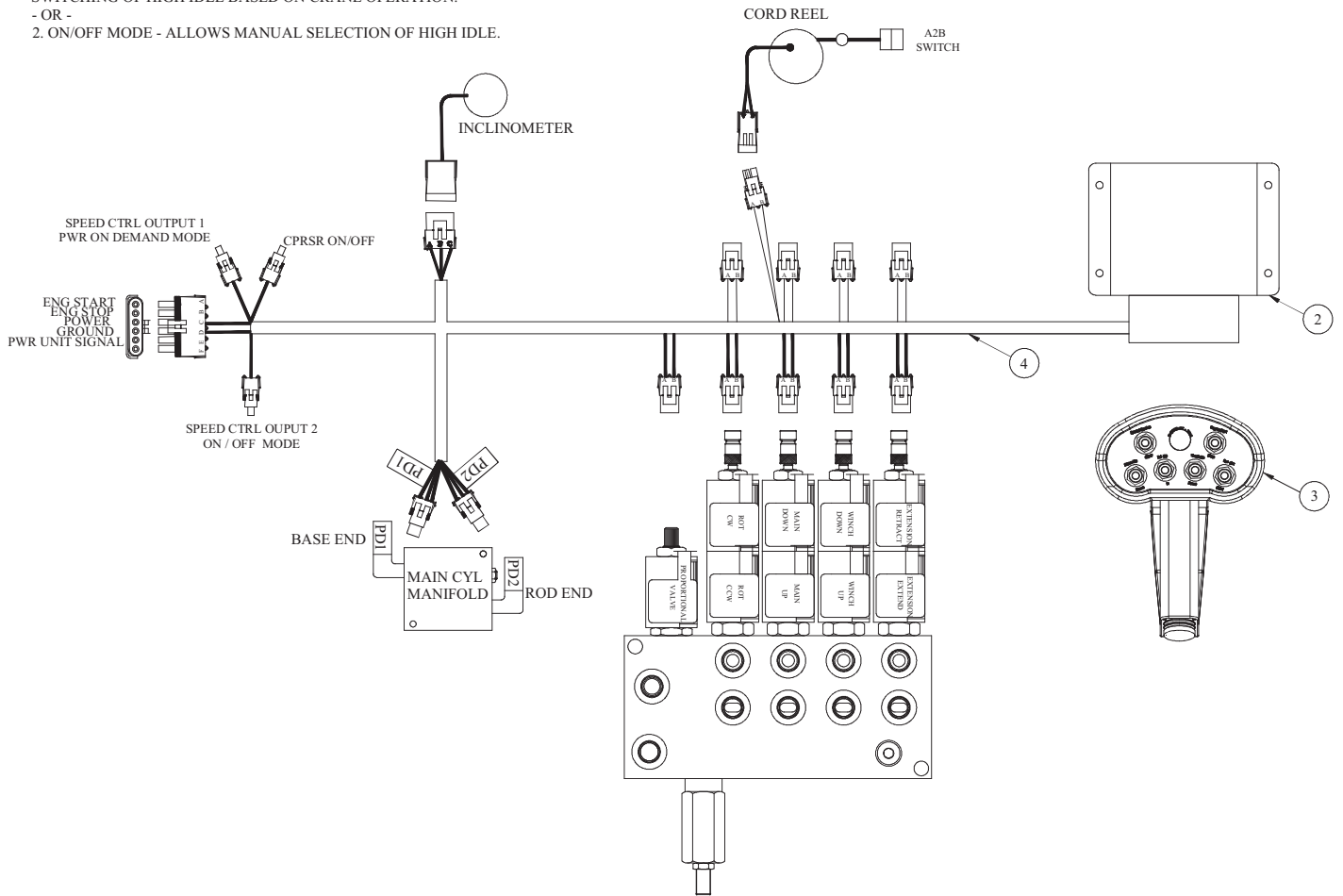
PN 59138

07			
06			
05			
04	46307	WIRE HARNESS 12621/12628 LMI	1
03	.	TRANSMITTER - RADIO (PART OF 1)	REF
02	.	RECEIVER - RADIO (PART OF 1)	REF
01	57914	RADIO CONTROLLER ASSEMBLY	1
ITEM	PART No.	DESCRIPTION	QTY

Control Kit (Cradle A2B/CDT Non-Boost) - PN 59155

*** WIRING OPTIONS FOR REMOTE CONTROL OF ENGINE SPEED:**

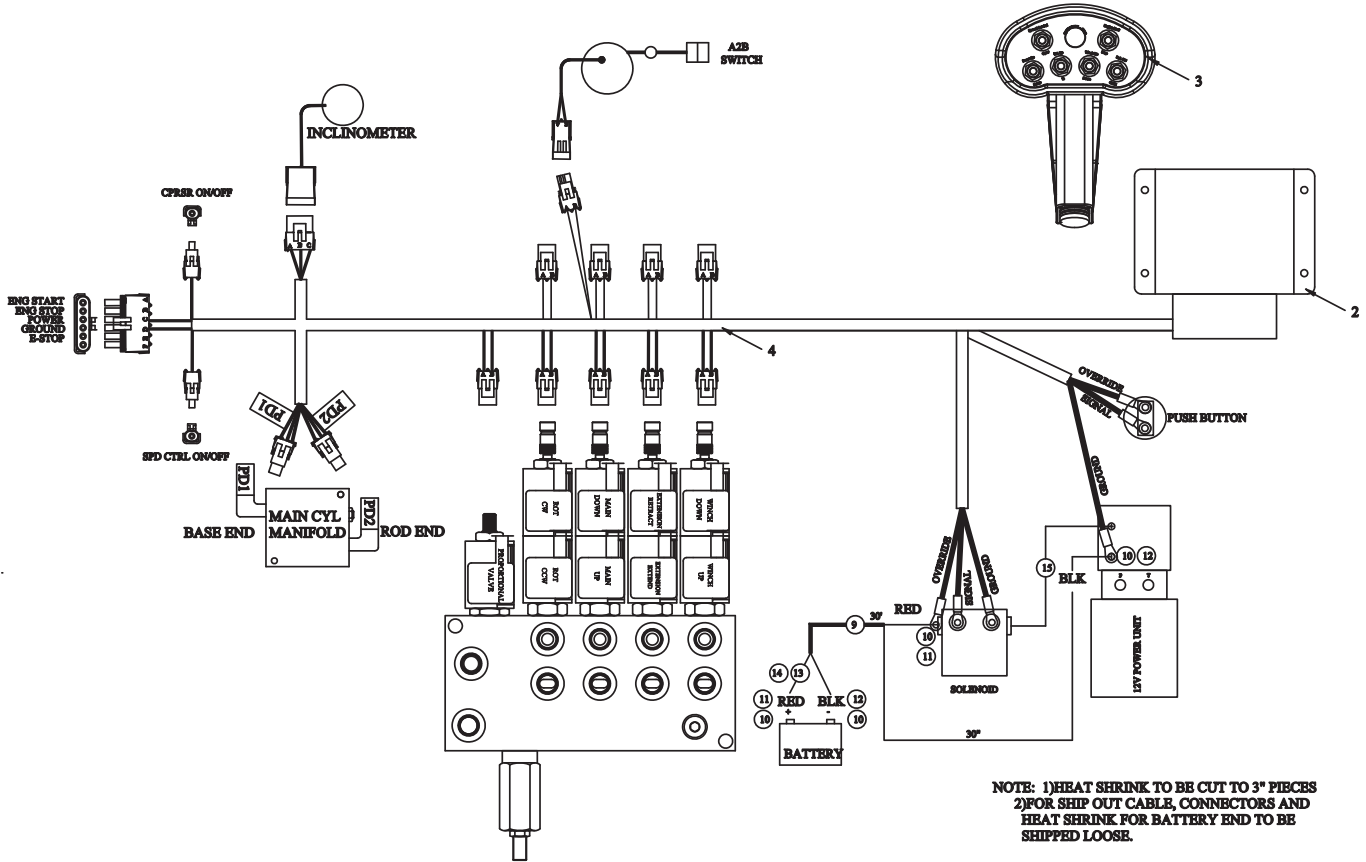
1. POWER ON DEMAND (POD) MODE- ALLOWS AUTOMATIC SWITCHING OF HIGH IDLE BASED ON CRANE OPERATION.
- OR -
2. ON/OFF MODE - ALLOWS MANUAL SELECTION OF HIGH IDLE.



PN 59155

07			
06			
05			
04	46307	WIRE HARNESS 12621/12628 LMI	1
03	.	TRANSMITTER - RADIO (PART OF 1)	REF
02	.	RECEIVER - RADIO (PART OF 1)	REF
01	57914	RADIO CONTROLLER ASSEMBLY	1
ITEM	PART No.	DESCRIPTION	QTY

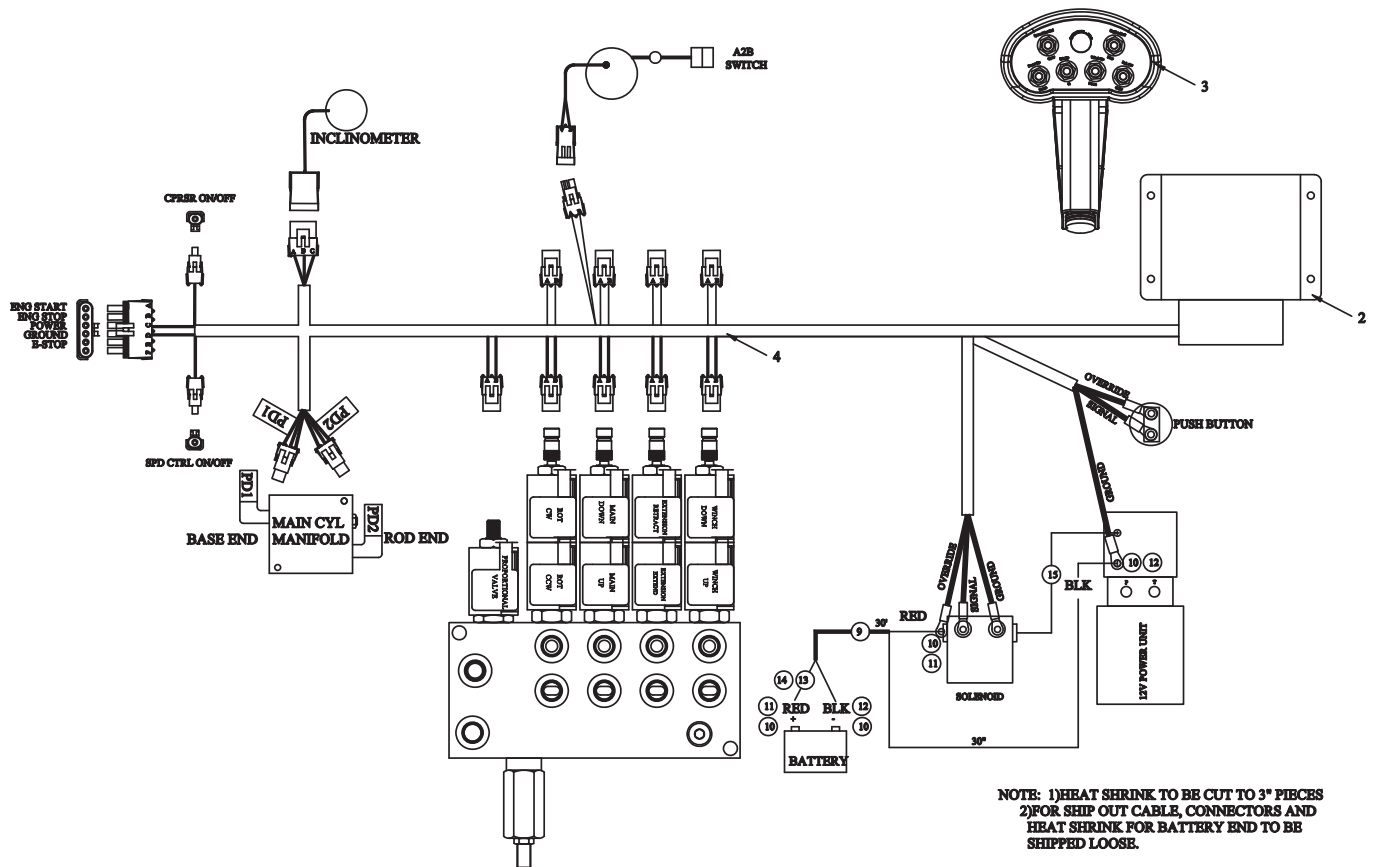
Control Kit (Cradle A2B/12V/CDT Boost) - PN 59523



PN 59523

15	59518	WIRE HARNESS BATTERY CABLE 20"	1
14	32523	FUSE HOLDER	2
13	36435	FUSE 200 AMP	2
12	15218	HEAT SHRINK 0.50 BLK	6"
11	15219	HEAT SHRINK 0.50 RED	6"
10	4466	TERML #1X.38 COPPER LUG	4
09	20466	CABLE #2 2 WIRE	32.5'
08			
07			
06			
05			
04	57941	WIRE HARNESS 5521 12V	1
03	.	TRANSMITTER - RADIO (PART OF 1)	REF
02	.	RECEIVER - RADIO (PART OF 1)	REF
01	57914	RADIO CONTROLLER ASSEMBLY	1
ITEM	PART No.	DESCRIPTION	QTY

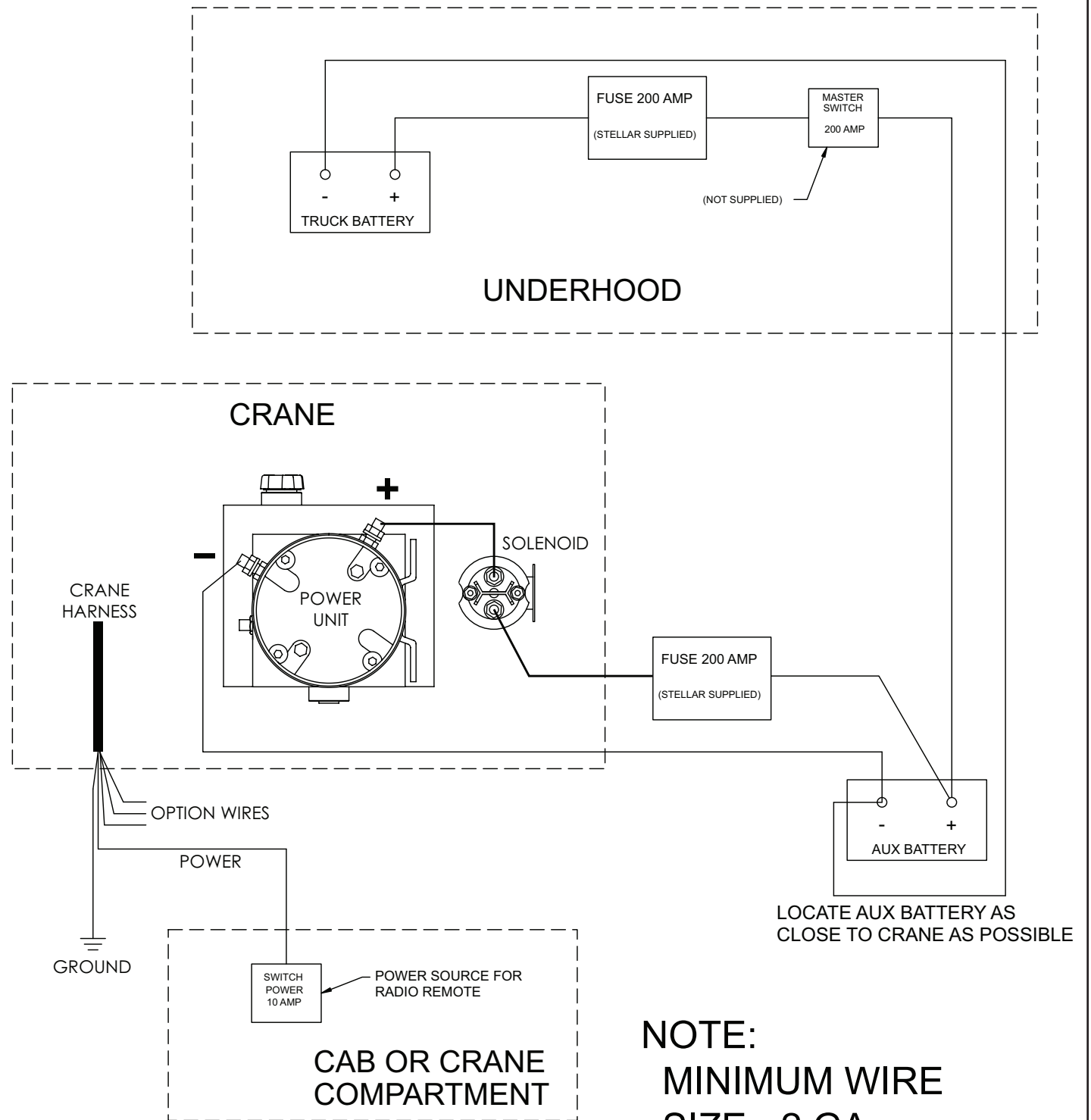
Control Kit (Cradle A2B/12V/CDT Non-Boost) - PN 59524



PN 59524

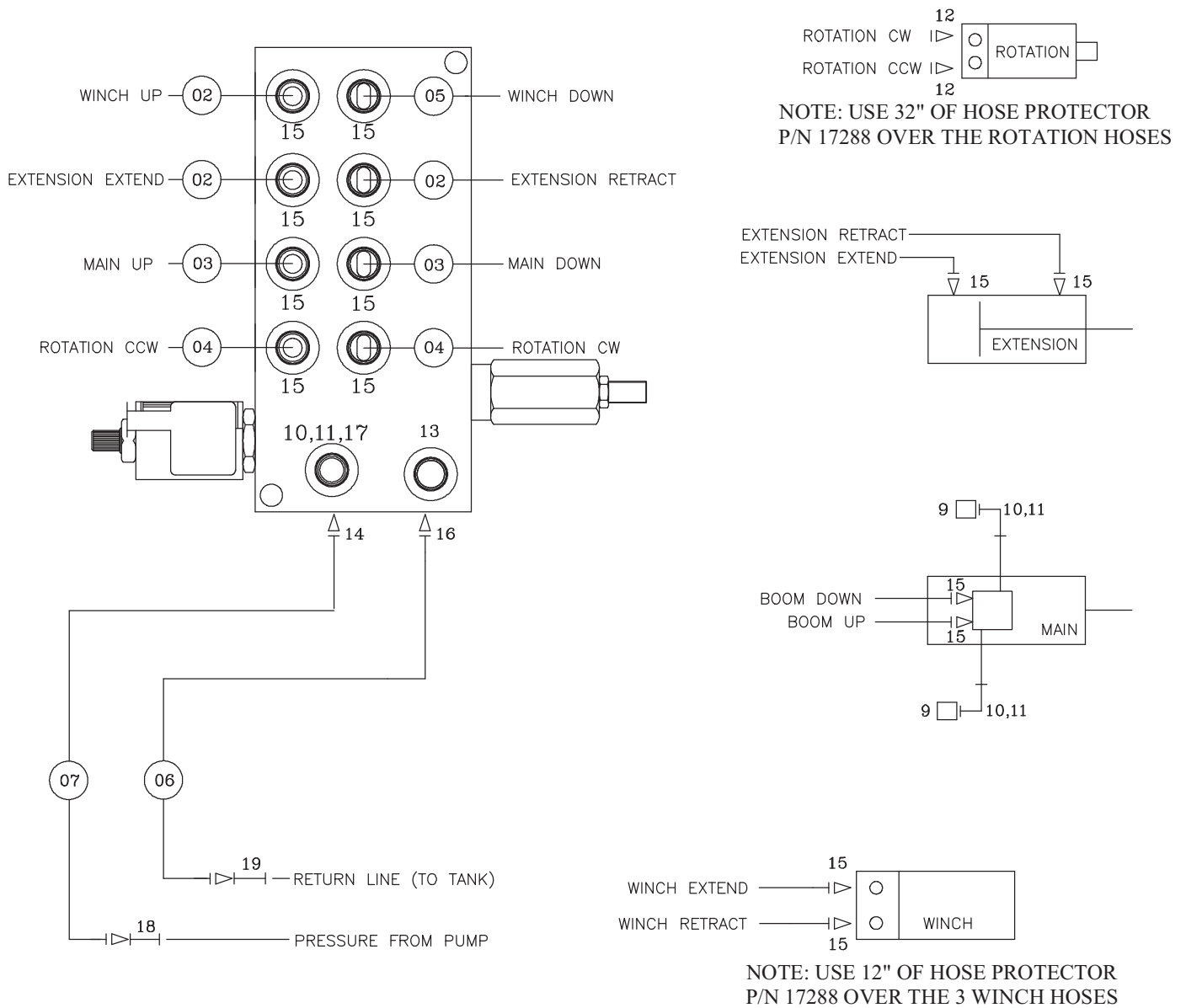
15	59518	WIRE HARNESS BATTERY CABLE 20"	1
14	32523	FUSE HOLDER	2
13	36435	FUSE 200 AMP	2
12	15218	HEAT SHRINK 0.50 BLK	6"
11	15219	HEAT SHRINK 0.50 RED	6"
10	4466	TERML #1X.38 COPPER LUG	4
09	20466	CABLE #2 2 WIRE	32.5'
08			
07			
06			
05			
04	57941	WIRE HARNESS 5521 12V	1
03	.	TRANSMITTER - RADIO (PART OF 1)	REF
02	.	RECEIVER - RADIO (PART OF 1)	REF
01	59148	RADIO CONTROLLER ASSEMBLY	1
ITEM	PART No.	DESCRIPTION	QTY

Wiring Diagram (Electrical Version)



**NOTE:
MINIMUM WIRE
SIZE - 2 GA**

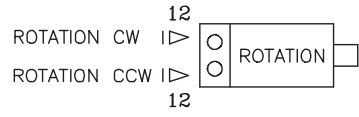
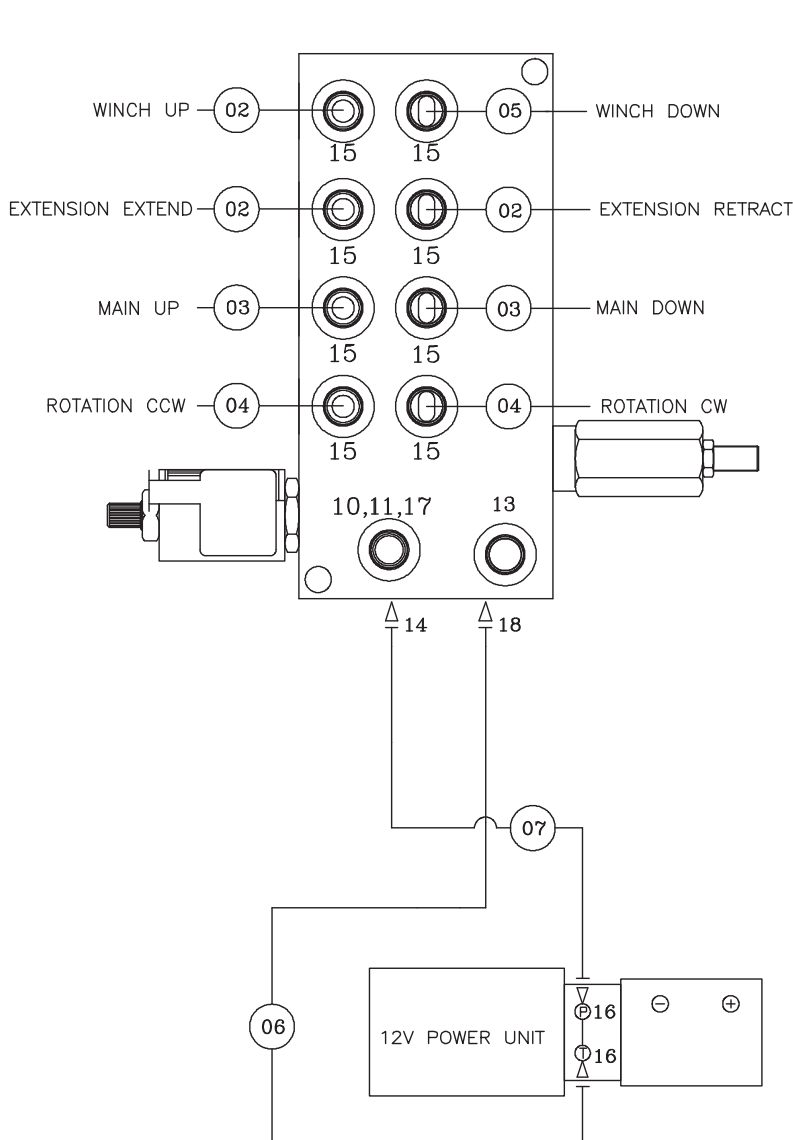
Hydraulic Kit - PN 58277



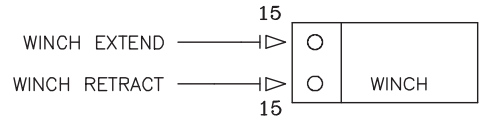
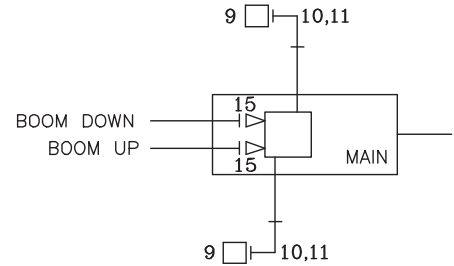
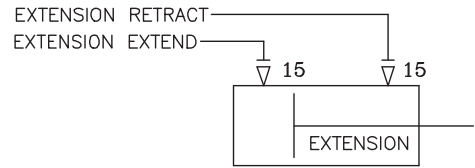
PN 58277

10	15111	FTG ADAPT MSTH/FSTH 6-4-F50G5	3	20		
09	28485	TRANSDUCER PRESSURE 5000 PSI	2	19	12172	FTG SWIVEL 0.50 FS/FS PS81 JMJM-8-8 1
08	17288	HOSE PROTECTOR 1.00 AS-B-27	12"	18	12171	FTG SWIVEL 0.38 FS/FS PS81 JMJM-6-6 1
07	45439	HOSE-HYD .38 X 9	1ref	17	39780	GAUGE OIL LF 2.5" 0-5000 CBM 1
06	45438	HOSE-HYD .50 X 8	1ref	16	C1175	FTG ELL 8-V50LO-S 1
05	59137	HOSE-HYD .38 X 19	1ref	15	0279	FTG ADAPT 6 F50LO-S 14
04	13030	HOSE-HYD .38 X 39	2ref	14	D1193	FTG ADAPT 6-V50LO-S 1
03	13029	HOSE-HYD .38 X 22.50	2ref	13	C4961	PLUG STR HOLLOW HEX 0.38 6-HP50N 1
02	13028	HOSE-HYD .38 X 17	3ref	12	D1302	FTG ADAPT 90 6-10-C50LO-S 2
01	58278	HOSE KIT 5521 (incl:2-7)	1	11	3861	FTG 90 MSTR/FSTR 6 3
ITEM	PART No.	DESCRIPTION	QTY			

Hydraulic Kit (12 Volt Version) - PN 58279



NOTE: USE 32" OF HOSE PROTECTOR P/N 17288 OVER THE ROTATION HOSES



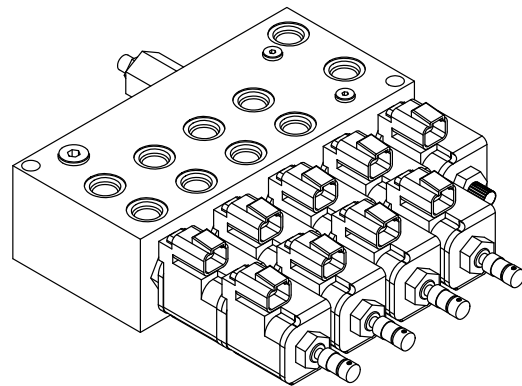
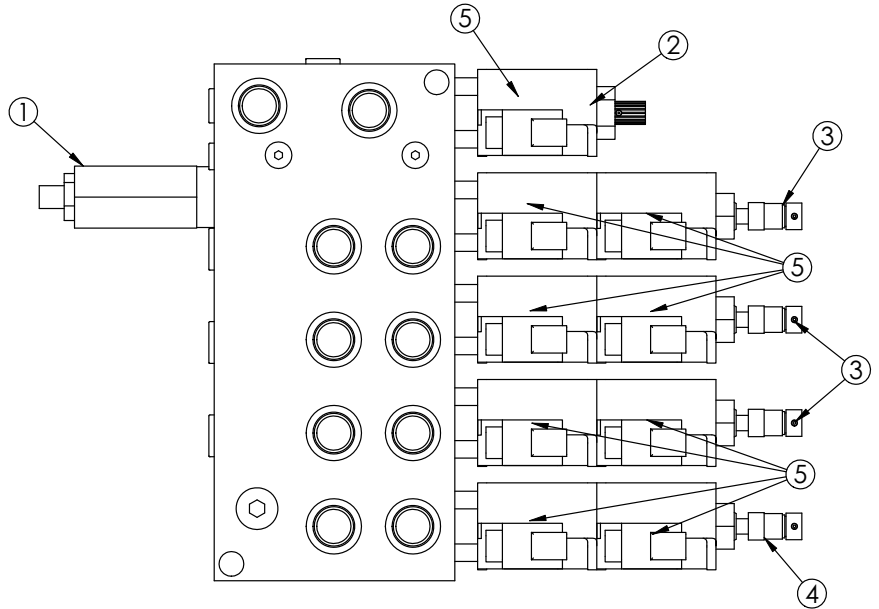
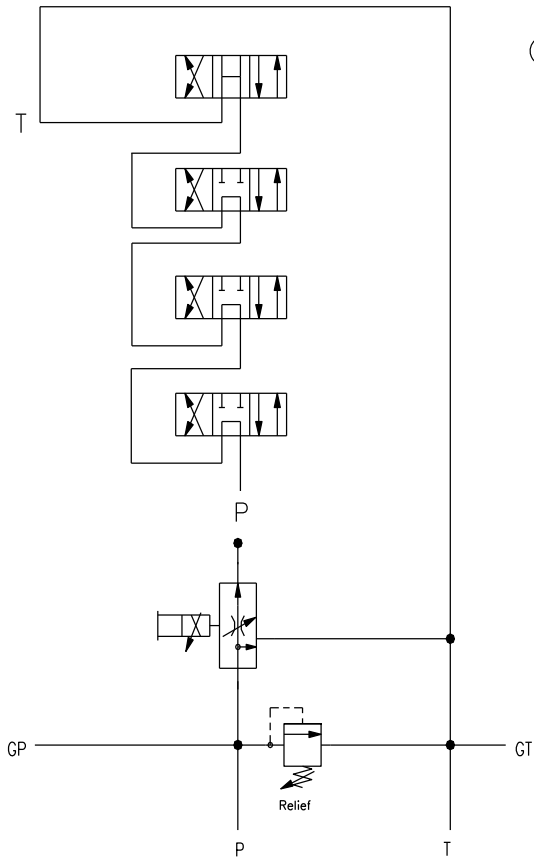
NOTE: USE 12" OF HOSE PROTECTOR P/N 17288 OVER THE 2 WINCH HOSES

PN 58279

09	28485	TRANSDUCER PRESSURE 5000 PSI	2	18	C1175	FTG ELL 8-V50LO-S	1
08	17288	HOSE PROTECTOR 1.00 AS-B-27	44"	17	39780	GAUGE OIL LF 2.5 0-5000 CBM SAE	1
07	59519	HOSE-HYD .25 X 26	1ref	16	C0338	FTG ADAPT 90 6-C50LO-S	2
06	59520	HOSE-HYD .38 X 29	1ref	15	0279	FTG ADAPT 6 F50LO-S	14
05	59137	HOSE-HYD .38 X 19	1ref	14	D1193	FTG ADAPT 6-V50LO-S	1
04	13030	HOSE-HYD .38 X 39	2ref	13	C4961	PLUG STR HOLLOW HEX 0.38 6-HP50N	1
03	13029	HOSE-HYD .38 X 22.50	2ref	12	D1302	FTG ADAPT 90 6-10-C50LO-S	2
02	13028	HOSE-HYD .38 X 17	3ref	11	3861	FTG 90 MSTR/FSTR 6	3
01	58280	HOSE KIT 5521 12V (incl:2-7)	1	10	15111	FTG ADAPT MSTH/FSTH 6-4-F50G5	3
ITEM	PART No.	DESCRIPTION	QTY	ITEM	PART No.	DESCRIPTION	QTY

Valve Bank - PN 44530

HYDRAULIC SCHEMATIC

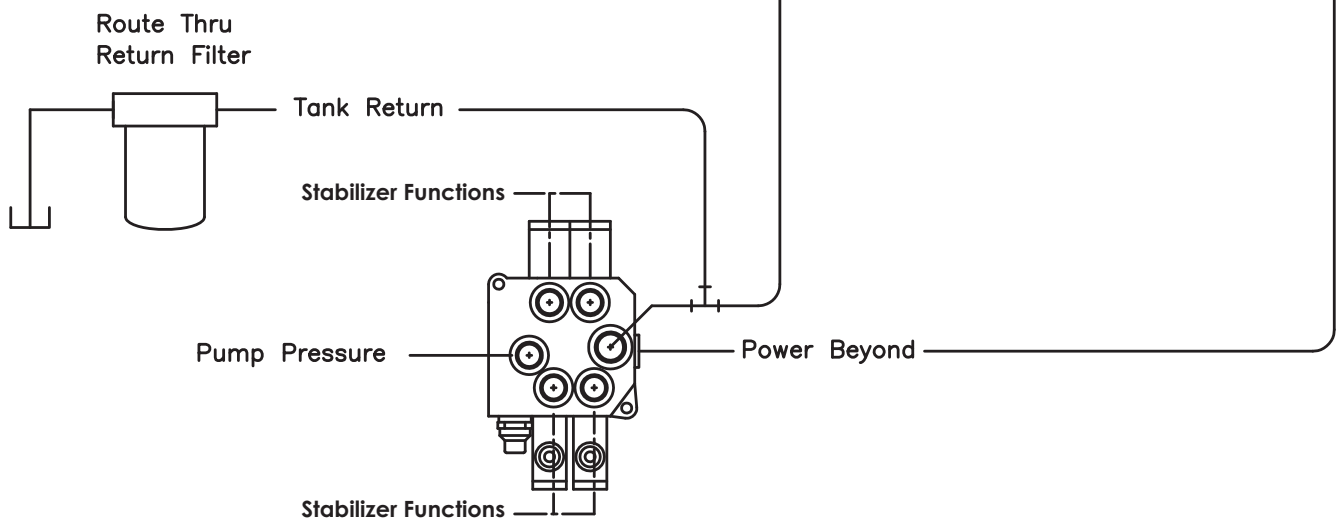
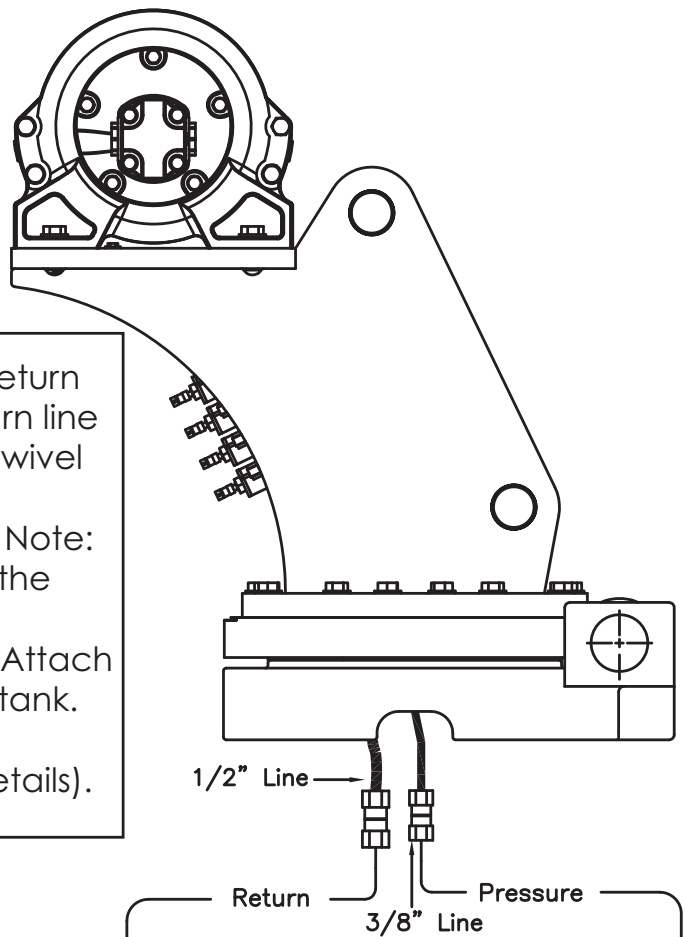


PN 44530

ITEM	PART	DESCRIPTION	QTY
1	25367	RELIEF VALVE 24685/24690	1
	25368	SEAL KIT 25367	
2	24960	VALVE FLW CTRL PRP/JP04C3150N 0-8	1
	25369	SEAL KIT 24960/25381	
3	25371	VALVE SOLND 3 POS 4 WAY TAND G04571	3
4	25372	VALVE SOLND 3 POS 4 WAY OPEN G04591	1
	25373	SEAL KIT 25371/25372	
5	44532	COIL 12VDC DUETSCH CAP012H	9

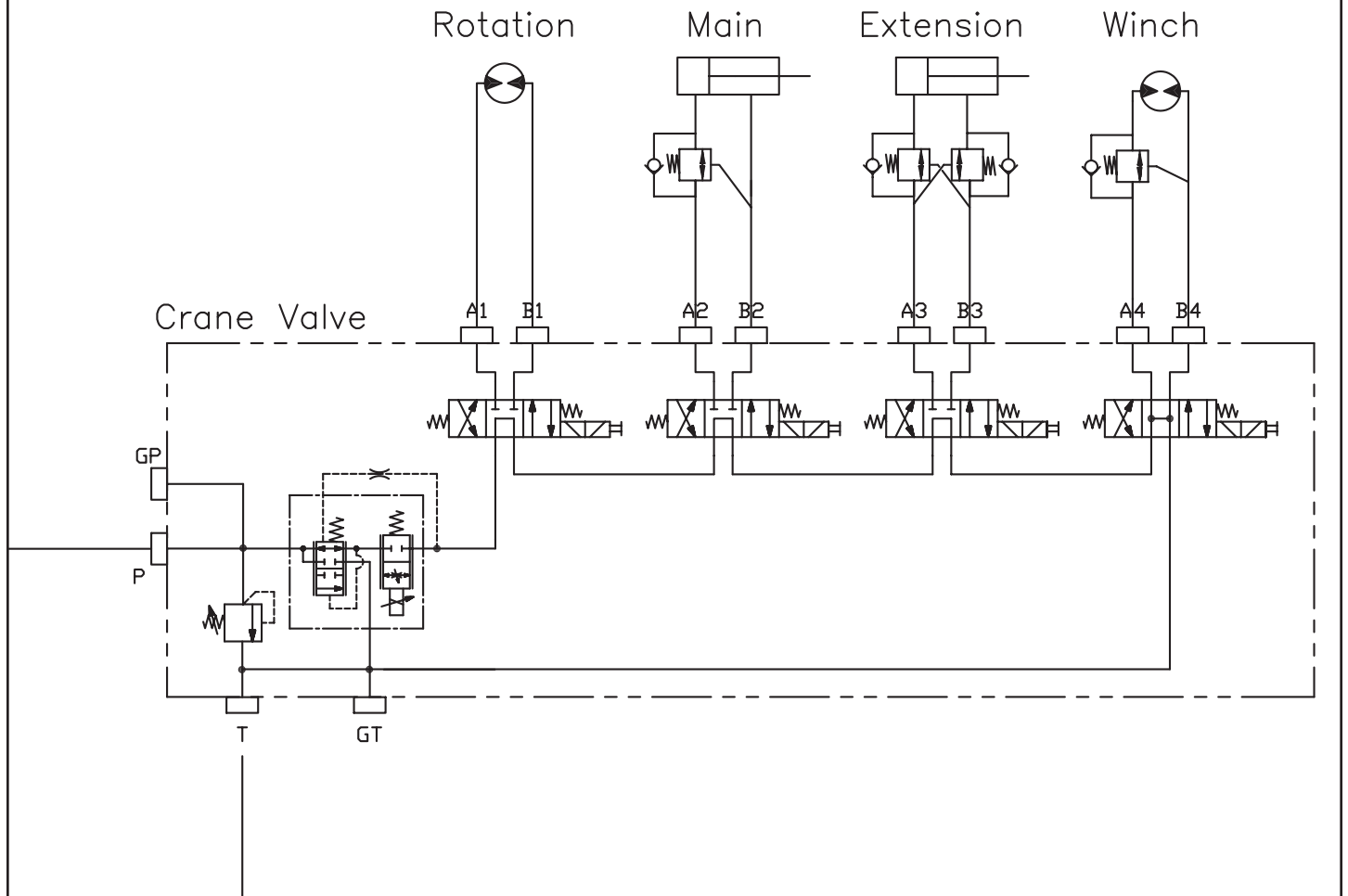
Hydraulic Installation

1. After mounting, locate the pressure and return lines. Note: Pressure line is 3/8" hose; Return line is 1/2" hose. Hoses are terminated using swivel fittings.
2. Install hydraulic lines per diagram below. Note: Stabilizer valve supplies oil to crane using the Power Beyond feature.
3. Install hydraulic reservoir with return filter. Attach pump pressure line to valve, return link to tank.
4. Fill system with hydraulic oil (See Stellar® Lubrication Recommendations for fluid details).



Typical Stabilizer Valve
with Power Beyond Capabilities

Hydraulic System



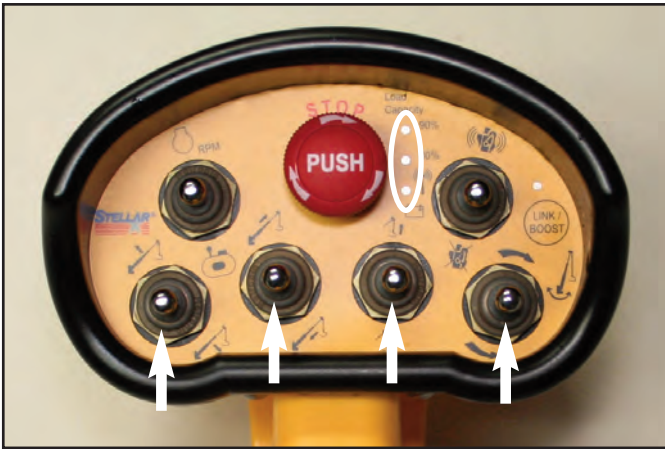
Stability Procedure

Definition of Stability for the Stellar Telescopic Crane Products:

A truck is stable until the load cannot be lifted off the ground with the winch, without tipping over the truck. Every Stellar crane installed must be tested for stability to determine the actual load capacity of the final truck package. The actual test data must be recorded and supplied with the truck at the time of in-service and should be kept with the truck at all times. The following procedure will test the truck package for stability and will provide a stability capacity chart. The load limit information shown on the stability capacity chart is formulated on 85% tipping.

Set Up:

1. Locate the truck on a test course in position for loading and engage travel brakes.
2. Set stabilizers so that they make contact with firm, level footing.
3. Operate the crane under partial load to assure operator proficiency and proper machine function.
4. Put the radio into Stability Test Mode:



- A. Push the bottom four switches up and hold until all lights come on (approximately 5 seconds.)
- B. At this point, the crane will have enough capacity to handle the weight for the stability test.
- C. The radio will timeout of stability mode after 30 minutes or when the E-Stop button is pushed.

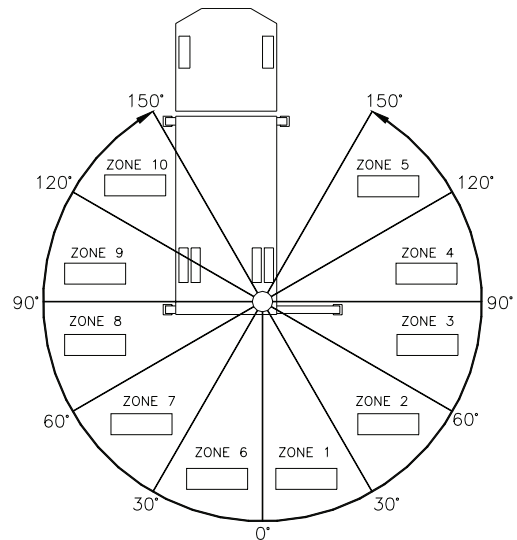
Note: The radio can only be put into stability mode five times. After that, the radio would have to be returned to Stellar to be reprogrammed to allow additional stability testing. All other radio functions will work properly even if stability mode is not available.

5521 Stability Data

Max Horizontal Reach: 252" (From the center of rotation to boom tip)

Boost Stability Test Weight: 1650 lbs.

Non-Boost Stability Test Weight: 1400 lbs.



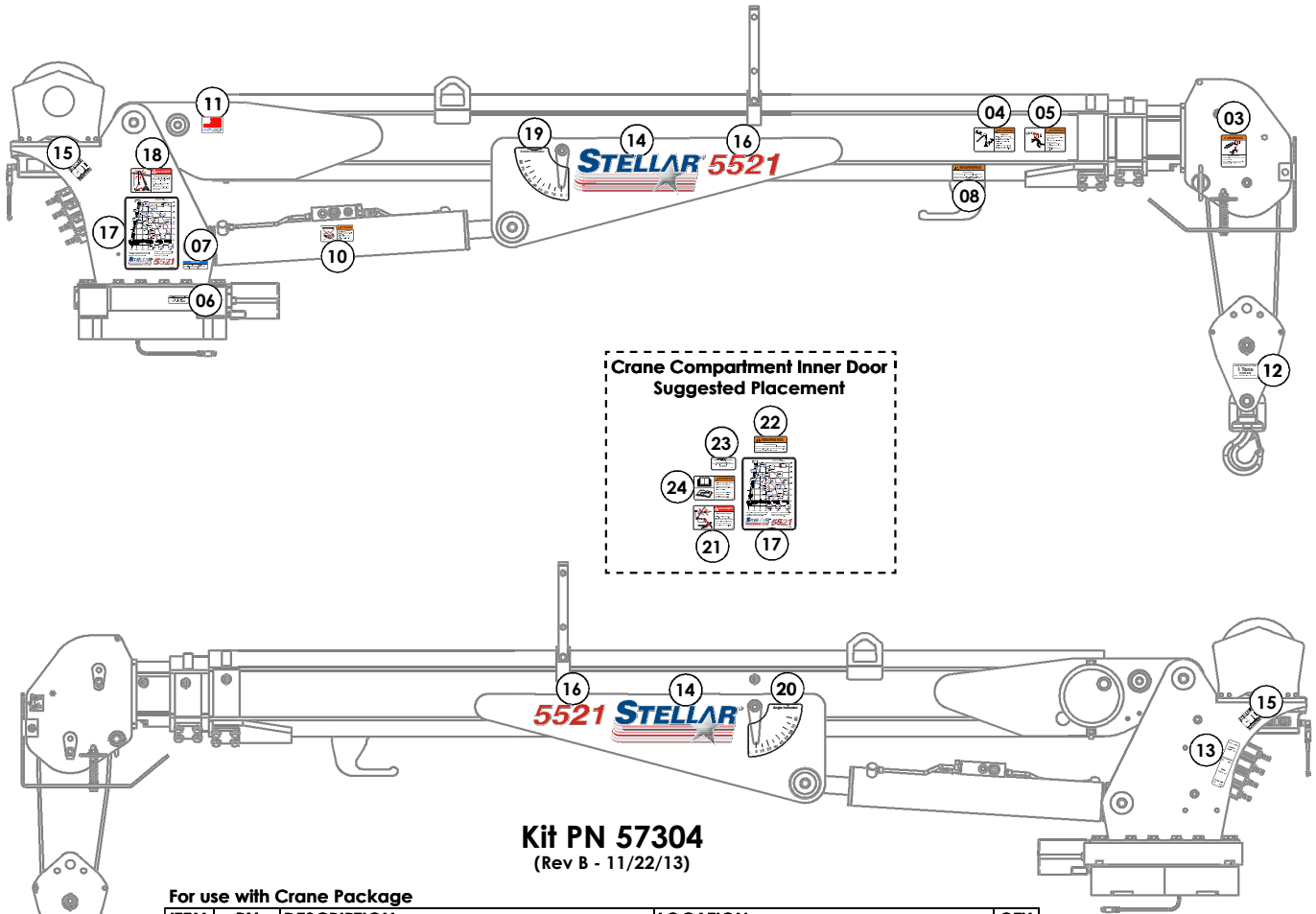
Test Procedure

1. Rotate the crane into Zone 1 position.
2. With the crane fully retracted and the boom horizontal, winch the test weight off the ground. Note: Keep weight within six inches of the ground at all times.
3. Extend the boom outward until full extension has been reached or until the truck becomes unstable (Again, use the winch to keep the weight within six inches of the ground.)
4. If the boom goes full extension without becoming unstable, the crane is termed stable for this zone and 100% can be written in the Zone 1 data box.
5. If the truck becomes unstable prior to going full extension, retract the boom until the truck becomes stable and measure the horizontal reach in this position (center of rotation to boom tip). This is the stable horizontal reach for this zone. Stable horizontal reach divided by Maximum horizontal reach multiplied by 100 equals the percentage of rated capacity for this zone. Use the following formula to determine the percentage of rated capacity:

$$\frac{\text{Stable Horizontal Reach}}{\text{Max Horizontal Reach}} \times 100 = \text{Percentage of Rated Capacity}$$

6. Record this number in the data box for Zone 1. This is the revised capacity due to stability for this zone.
7. Repeat this procedure for each zone until the worksheet is completed.
8. This is the revised capacity based on stability of this package.

Decal Kit Placement - PN 57304



For use with Crane Package

ITEM	PN	DESCRIPTION	LOCATION	QTY
01	4188	DECAL ROTATION ALIGNMENT	Crane Base	1
02	9188	DECAL ROTATE/GREASE	Crane Base	1
03	12300	DECAL WARNING TWO BLOCKING	Crane Horse Head	1
04	12451	DECAL WARNING HOISTING PERSONNEL	Main Boom	1
05	12452	DECAL WARNING MANUAL EXT	Main Boom	1
06	15171	DECAL GREASE WORM	Crane Base	1
07	15172	DECAL ASME/ANSI B30.22/B30.5	Crane Mast	1
08	24712	DECAL WARNING STOW HOOK	Crane Boom above stow hook	1
09	25159	DECAL WARNING MANUAL OVERRIDES	Under Valve Bank	1
10	28256	DECAL WARNING OVERLOAD DEVICE	Main Cylinder	1
11	35234	DECAL STELLAR MADE IN THE USA	Main Boom	1
12	38472	DECAL SNATCH BLOCK 5 TON	Snatch Block	1
13	41068	DECAL VB CONTROL MECH CRANE	On side of Crane Mast	1
14	52681	DECAL STELLAR LOGO 6.5 X 18	Main Boom (Both Sides)	2
15	54588	DECAL CDT 2.00 x 2.00	Crane Mast (Both Sides)	2
16	57306	DECAL IDENTIFICATION 5521	Main Boom (Both Sides)	2
17	57598	DECAL CAPACITY 5521	Main Boom and Crane Compartment	2
18	C1179	DECAL DANGER ELECTROCUTION SMALL	Crane Mast	1
19	D1196	DECAL ANGLE INDICATOR CS	Main Boom	1
20	D1197	DECAL ANGLE INDICATOR SS	Main Boom	1

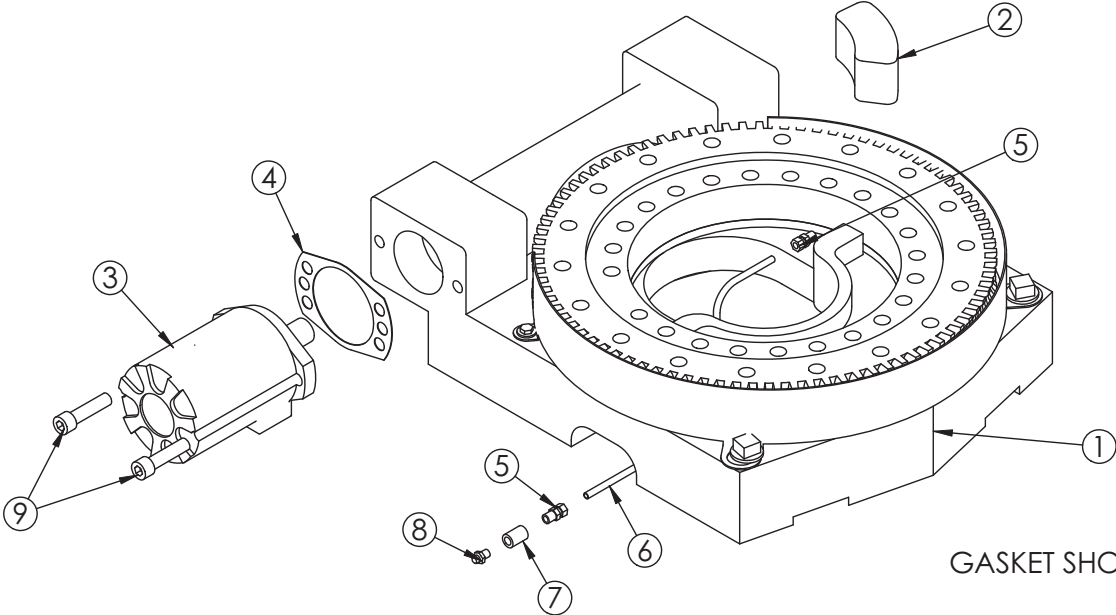
For use with Body/Chassis Package

ITEM	PN	DESCRIPTION	LOCATION	QTY
21	4186	DECAL DANGER ELECTROCUTION REMOTE	Crane Compartment	1
22	4189	DECAL WARNING OVERLOAD	Crane Compartment	1
23	4214	DECAL SERVICE	Crane Compartment	1
24	68024	DECAL WARNING UNTRAINED OPERATOR	Crane Compartment	1
25*	C4545	DECAL DANGER ELECTROCUTION LARGE	Four corners of the body/chassis	4
26*	C5910	DECAL STELLAR 4x9.5	Suggested: Rear body/tailgate	1
27*	C5911	DECAL STELLAR 2x4.5	Suggested: Side corners of body	3

*Not Shown

Chapter 3 - Assembly Drawings

Base Assembly - PN 50364

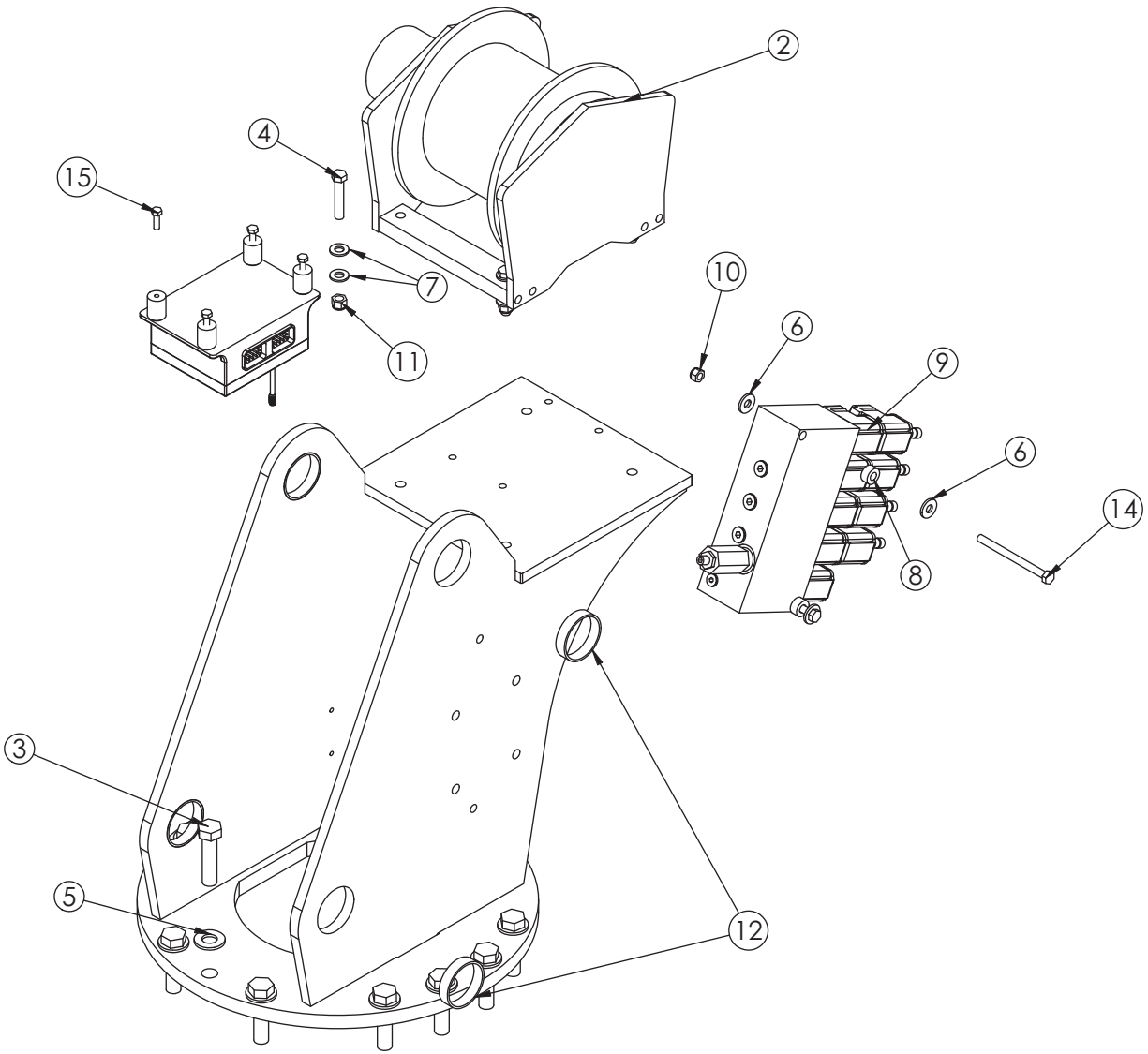


PN 50364

ITEM	PART	DESCRIPTION	QTY.
1	47869	BEARING SWING DRIVE CAST 6620 GEARTEK	1
2	11542	STOP 3820 400 SLIDE	1
3	C6069	MOTOR HYD ROSS MK080613AAAB	1
4	21151	GASKET MOTOR 008-10056-1	1
5	D1345	FTG CPRSN 0.12NPT/0.25 TUBE	2
6	D1810	TBE AIR SAEJ844 TYPE A .25 (RM)	1
7	C2256	FTG COUPLER PIPE 0.13	1
8	56589	ZERK 1/8 NPT STRAIGHT LONG THREAD	1
9	53495	CAP SCR 0.50-13X2.00 SH	2

NOTE: ITEMS 1 INCLUDE GUARD & GUARD FASTENERS

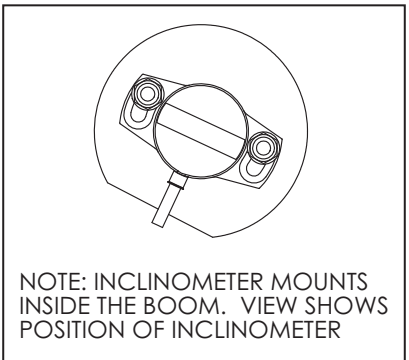
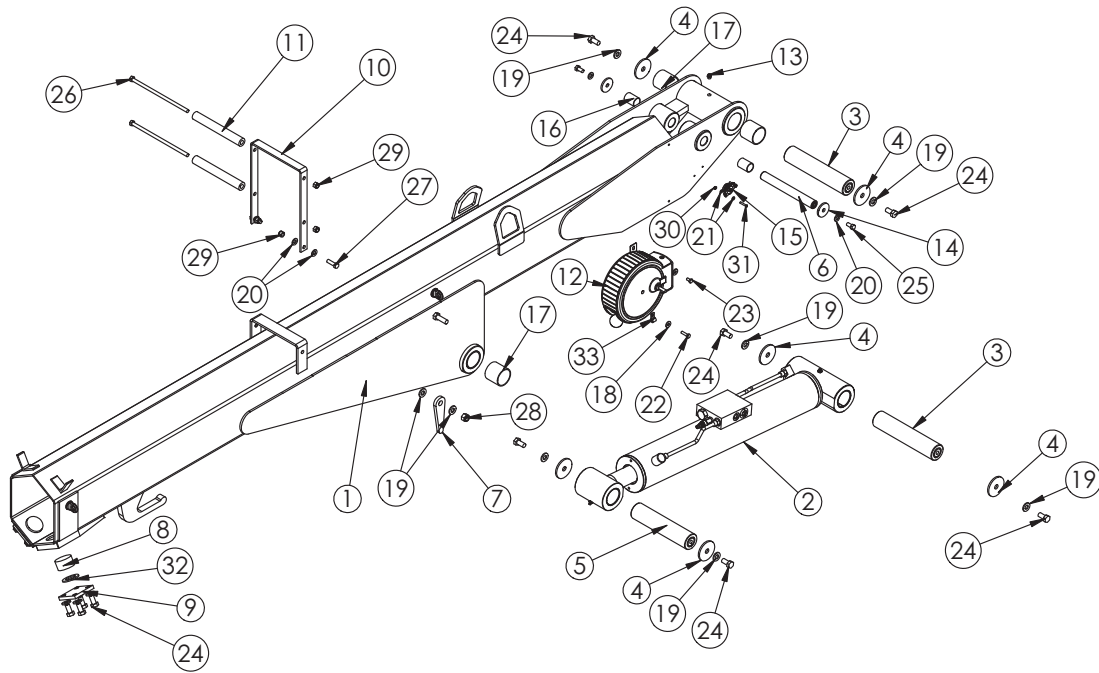
Mast Assembly - PN 57577



PN 57577

ITEM	PART	DESCRIPTION	QTY.
1	57296	MAST 5521	1
2	21528	WINCH 2500 5520 CRANE	1
3	C1026	CAP SCR 0.63-11X2.50 HHGR8	14
4	C1006	CAP SCR 0.38-16X2.00 HHGR8	4
5	C5902	WASHER 0.63 SAE FLAT YELLOW GR8	14
6	0343	WASHER 0.31 USS FLAT ZINC	5
7	C6353	WASHER 0.38 SAE FLAT YELLOW GR8	8
8	27813	COLLAR 0.38X0.75X0.38 UHMW	2
9	44530	VB 4 SECT W/PROP STER8GPM DEUTSCH	1
10	0342	NUT 0.31-18 HHGR5 NYLOC	2
11	56673	NUT 0.38-16 HHGR8 NYLOC	4
12	57594	BUSHING COMPOSITE MRP 2.00X.50	4
14	0491	CAP SCR 0.31-18X4.00 HHGR5	2
15	47425	CAP SCR 6MMX20MM HH 8.8(GR5)	4

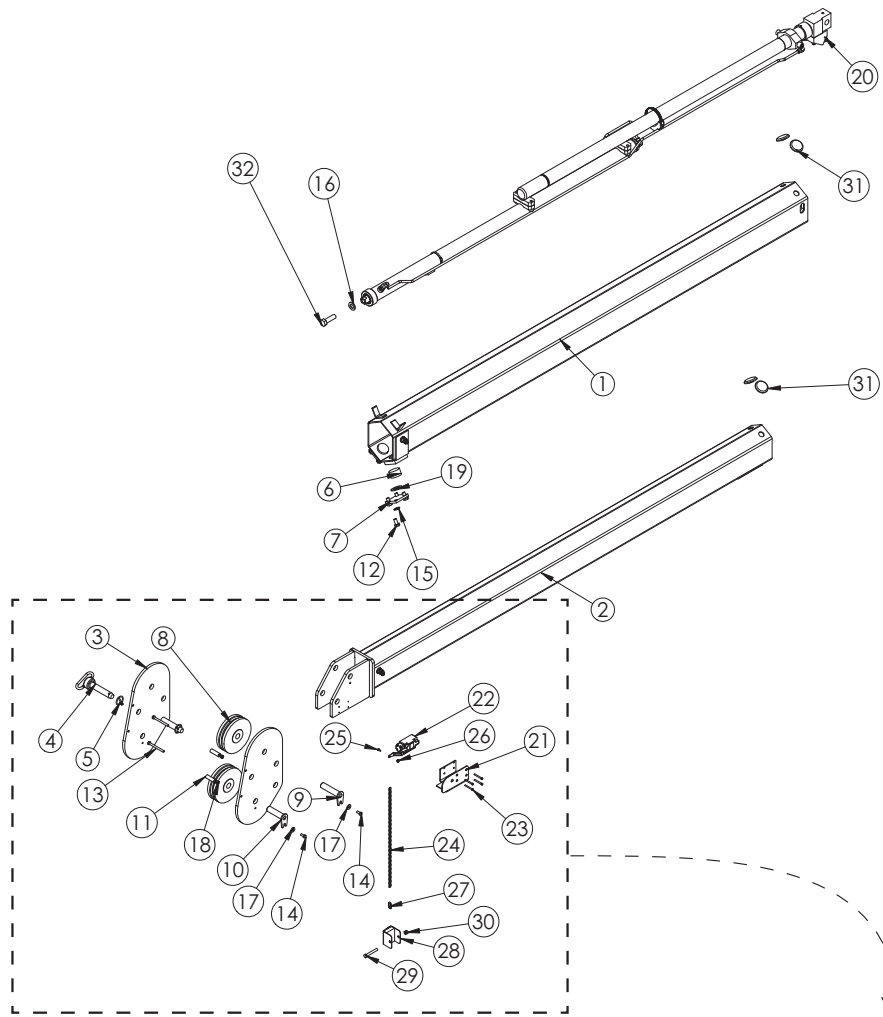
Main Boom Assembly - PN 57581



PN 57581

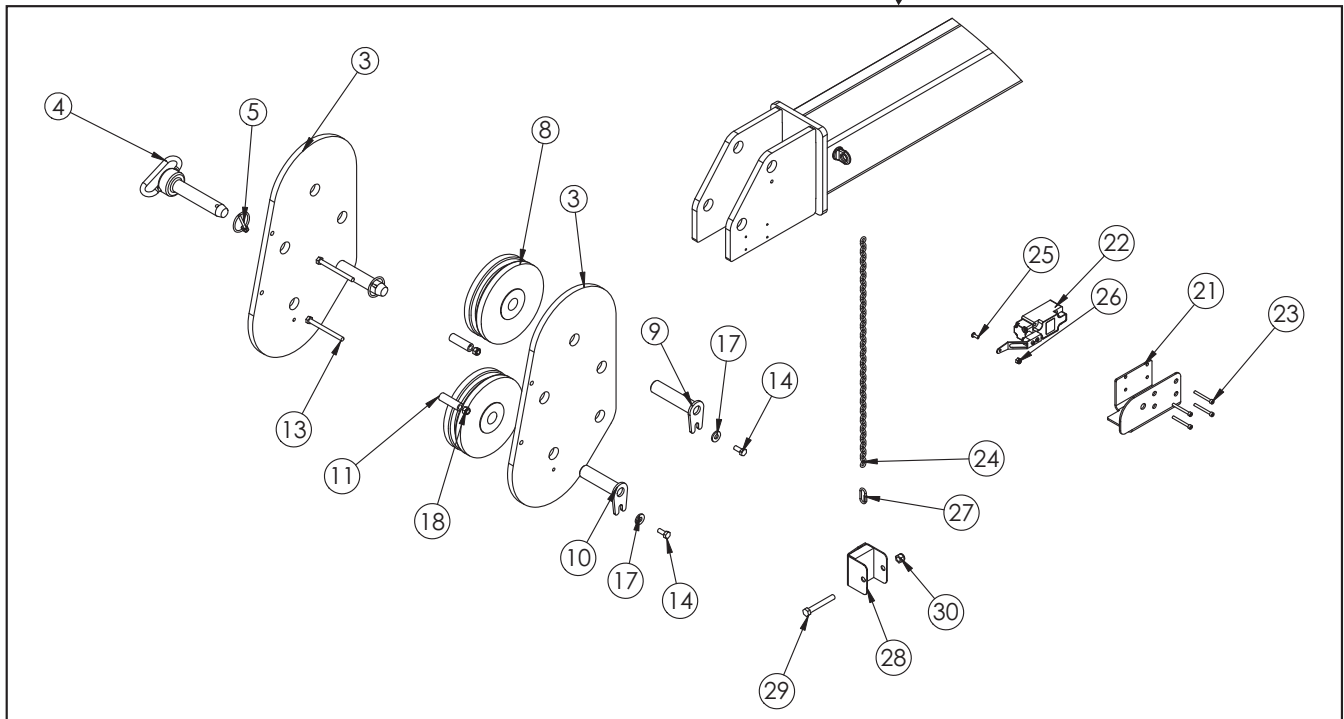
ITEM	PART	DESCRIPTION	QTY.	ITEM	PART	DESCRIPTION	QTY.
1	57287	INNER BOOM 5521	1	15	53493	INCLINOMETER 60 DEG	1
2	54942	CYLINDER ASM 6620 INNER CDT	1	16	0068	BUSHING BPC16DXR24 1.00X1.50	2
3	26213ZP	PIN 2.00X9.63 D&T	2	17	4381	BUSHING BPC32DXR32 2.00X2.00	4
4	9142	PIN CAP 0.56X2.50X0.19	6	18	0340	WASHER 0.25 USS FLAT ZINC	2
5	9711ZP	PIN 2.00X8.88 D&T	1	19	D0790	WASHER 0.50 SAE FLAT YELLOW GR8	18
6	9712ZP	PIN 1.00X8.38 SR/D&T	1	20	C6353	WASHER 0.38 SAE FLAT YELLOW GR8	6
7	D1194PC	PLATE ANGLE INDICATOR	2	21	18765	WASHER #6 SAE FLAT ZINC	4
8	9363	WEAR PAD 1.12X2.00 RND NYLATRON	2	22	0480	CAP SCR 0.25-20X1.00 HHGR5	1
9	9545PC	PLATE WEAR PAD SUPPORT	2	23	0478	CAP SCR 0.25-20X0.50 HHGR5	1
10	13435PC	BRKT ROPE GUIDE 9620	1	24	10172	CAP SCR 0.50-13X1.00 HHGR8	14
11	27720	SPACER ROPE GUIDE 6620 UHMW	2	25	9843	CAP SCR 0.38-16X0.75 HHGR8	2
12	72602	CORD REEL ASM 21 FT CRANE	1	26	12168	CAP SCR 0.38-16X9.00 HHGR5	2
13	c1592	ZERK 1/8 NPT STRAIGHT	1	27	0335	CAP SCR 0.38-16X1.25 HHGR5	2
14	9320	PIN CAP 0.44X1.75X0.19 SS	2	28	C6106	NUT 0.50-13 HHGR5 NYLOC	2
				29	0347	NUT 0.38-16 HHGR5 NYLOC	4
				30	D0076	NUT #6-32 HH NYLOC SS	2
				31	18618	SCREW #6-32X1.00 PHMS PH	2
				32	0425	MACHY WASHER 1.25ID 10GA	2
				33	C5606	CLAMP 0.25 BLK VINYL	1

Extension Boom Assembly (Flip Sheave) - PN 57593



PN 57593

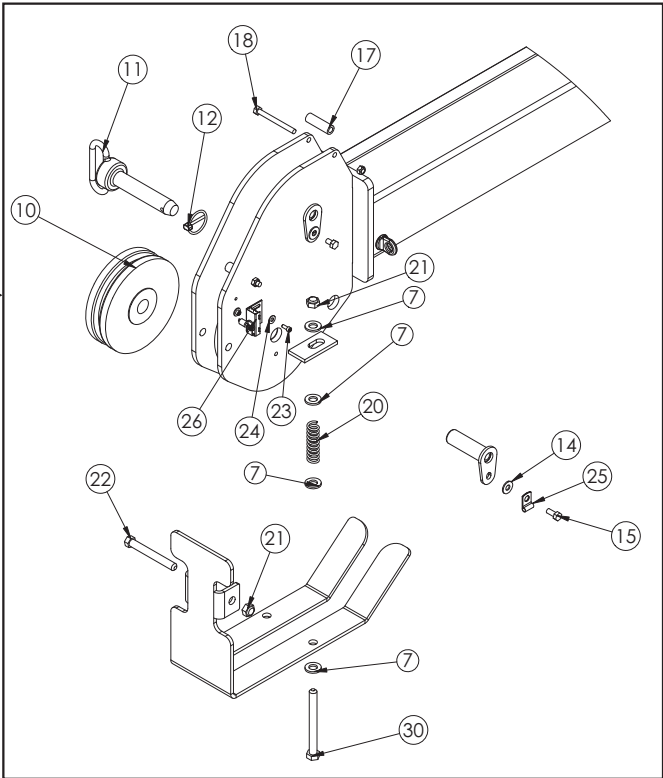
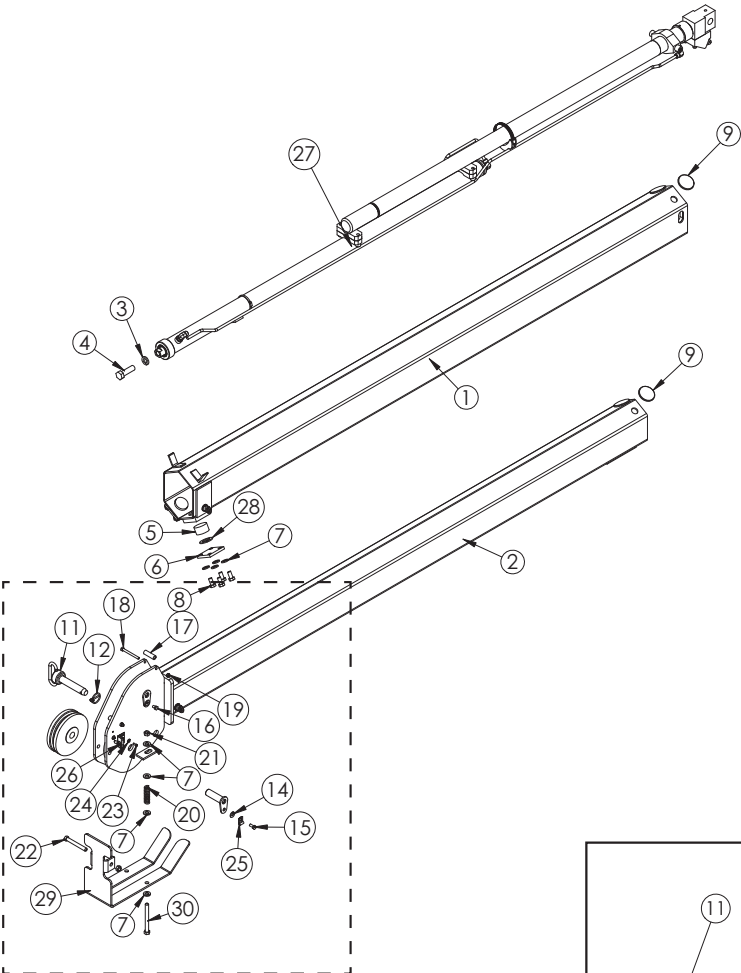
ITEM	PART	DESCRIPTION	QTY.
1	57307	EXT BOOM 1ST 5521	1
2	50341	EXT BOOM 2ND 6621 FLIP SHEAVE	1
3	12929PC	PLATE SHEAVE MOUNTING	2
4	12824	PIN HITCH 1.00X4.50	2
5	5753	PIN 0.19X1.56 LYNCH	2
6	9363	WEAR PAD 1.12X2.00 RND NYLATRON	2
7	9545PC	PLATE WEAR PAD SUPPORT	2
8	11545	SHEAVE 6620 6.75 DIA. .31R/1.94 THK	2
9	13400	PIN TEAR DROP 1.00X4.38	1
10	13399	PIN TEAR DROP 1.00X3.81	1
11	27719	SPACER BOOM TIP 6620 UHMW	2
12	10172	CAP SCR 0.50-13X1.00 HHGR8	8
13	0490	CAP SCR 0.31-18X3.50 HHGR5	2
14	0420	CAP SCR 0.31-18X0.75 HHGR5	2
15	D0790	WASHER 0.50 SAE FLAT YELLOW GR8	8
16	C6219	WASHER 0.75 SAE FLAT YELLOW GR8	1
17	0343	WASHER 0.31 USS FLAT ZINC	2
18	0342	NUT 0.31-18 HHGR5 NYLOC	2
19	0425	MACHY WASHER 1.25ID 10GA	2
20	49316	CYLINDER EXT ASM 6620 2.0/2.0	1
21	34354PC	ANTI 2 BLOCK COVER LH	1
22	11938	SWITCH LIMIT A2B FURNAS 3SE3170	1
23	33749	CAP SCR #10-24X1.75 SH	4
24	18454	CHAIN 0.105X21.50	1
25	D1711	CAP SCR #10-24X0.50 BTNHD SS	1
26	C4956	NUT #10-24 HH NYLOC SS	1
27	37850	CONNECTOR QUICK LINK 0.13	1
28	35264PC	WEIGHT ANTI 2 BLOCK	1
29	0530	CAP SCR 0.38-16X2.75 HHGR5	1
30	0347	NUT 0.38-16 HHGR5 NYLOC	1
31	6252	WEAR PAD 0.34X2.50 RND NYLATRON	4
32	4974	CAP SCR 0.75-10X2.50 HHGR8 RED PATCH	1



Extension Boom Assembly (Cradle A2B) - PN 58290

PN 58290

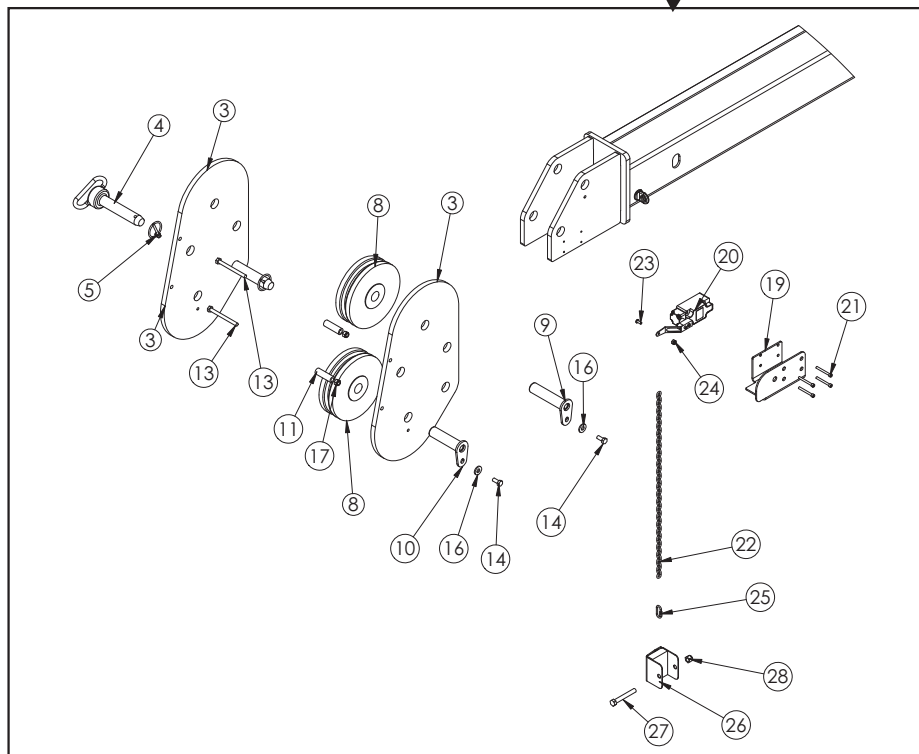
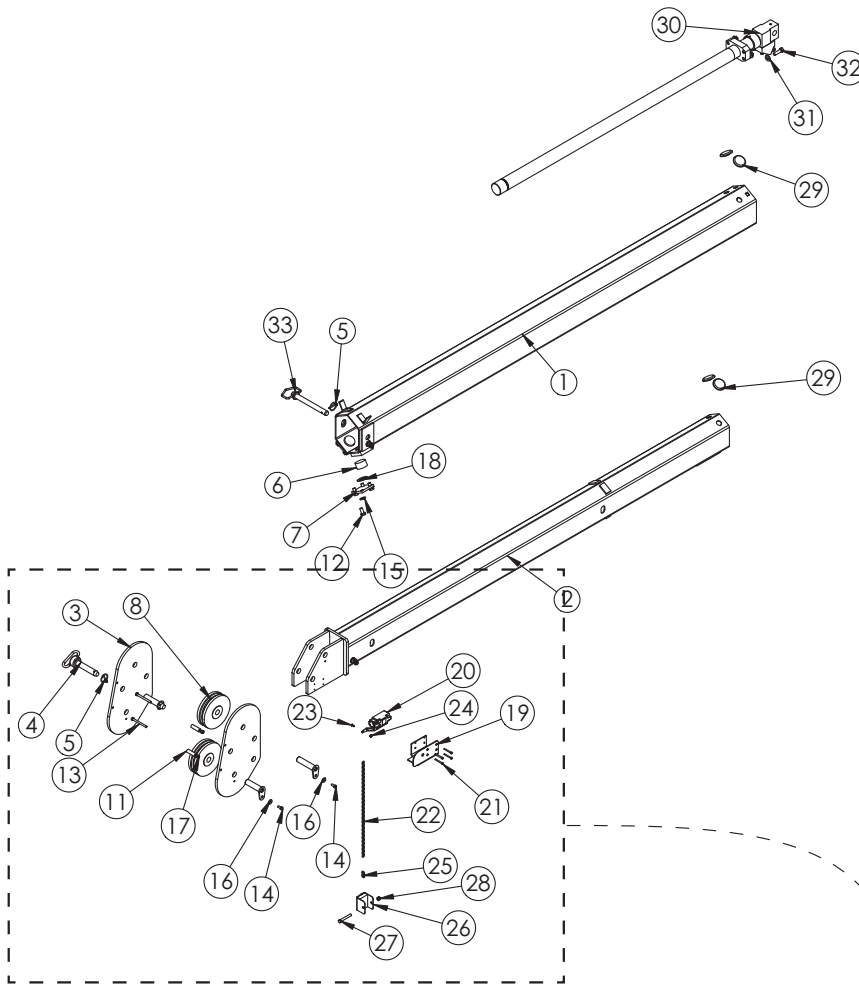
ITEM	PART	DESCRIPTION	QTY.
1	57307	EXT BOOM 1ST 5521	1
2	51117	EXT BOOM 6620 2ND CRADLE A2B	1
3	C6219	WASHER 0.75 SAE FLAT YELLOW GR8	1
4	4974	CAP SCR 0.75-10X2.50 HHGR8 ZY	1
5	9363	WEAR PAD 1.12X2.00 RND NYLATRON	2
6	9545PC	PLATE WEAR PAD SUPPORT	2
7	D0790	WASHER 0.50 FLAT GR8	16
8	10172	CAP SCR 0.50-13X1.00 HHGR8 ZY	8
9	9991	WEAR PAD 0.19X2.50 RND NYLATRON	4
10	11545	SHEAVE 6620 6.75 DIA .31R/1.94 THK	2
11	12824	PIN HITCH 1.00X4.50	1
12	5753	PIN 0.19X1.56 LYNCH	1
13	9706ZP	PIN TEAR DROP 1.00X3.25	2
14	0343	WASHER 0.31 USS FLAT ZINC	2
15	0420	CAP SCR 0.31-18X0.75 HHGR5	1
16	0484	CAP SCR 0.31-18 X 0.50 HHGR5	1
17	27719	SPACER BOOM TIP 6620 UHMW	2
18	12178	CAP SCR 0.31-18X3.25 HHGR5	2
19	0342	NUT 0.31-18 HH NYLOC	2
20	27710	SPRING ANTI 2 BLOCK SUMMIT	2
21	C6106	NUT 0.50-13 HHGR5 NYLOC	3
22	0507	CAP SCR 0.50-13X4.50 HHGR5	1
23	31132	SCREW #10-24X0.50 SH SS	2
24	D0178	WASHER #10 SAE FLAT ZINC	2
25	31279	CLAMP 0.31 BLK VINYL	1
26	35105	SWITCH LIMIT E1117-B9111-6C	1
27	49316	CYLINDER EXT ASM 6620 2.0/2.0	1
28	0425	MACHY WASHER 1.25ID 10GA	2
29	51903PC	PLATE CRADDL 6620/6628	1
30	C1000	CAP SCR 0.50-13X5.00 HHGR5	2



Extension Boom Assembly (Flip Sheave - 1 Hyd/1 Manual) - PN 57935

PN 57935

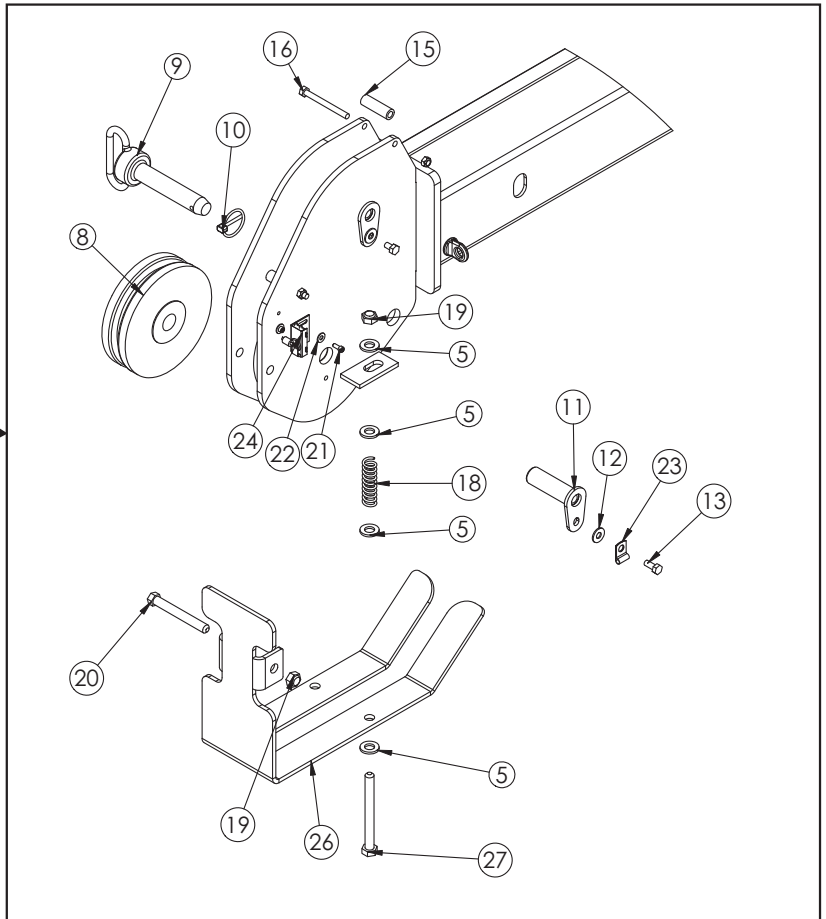
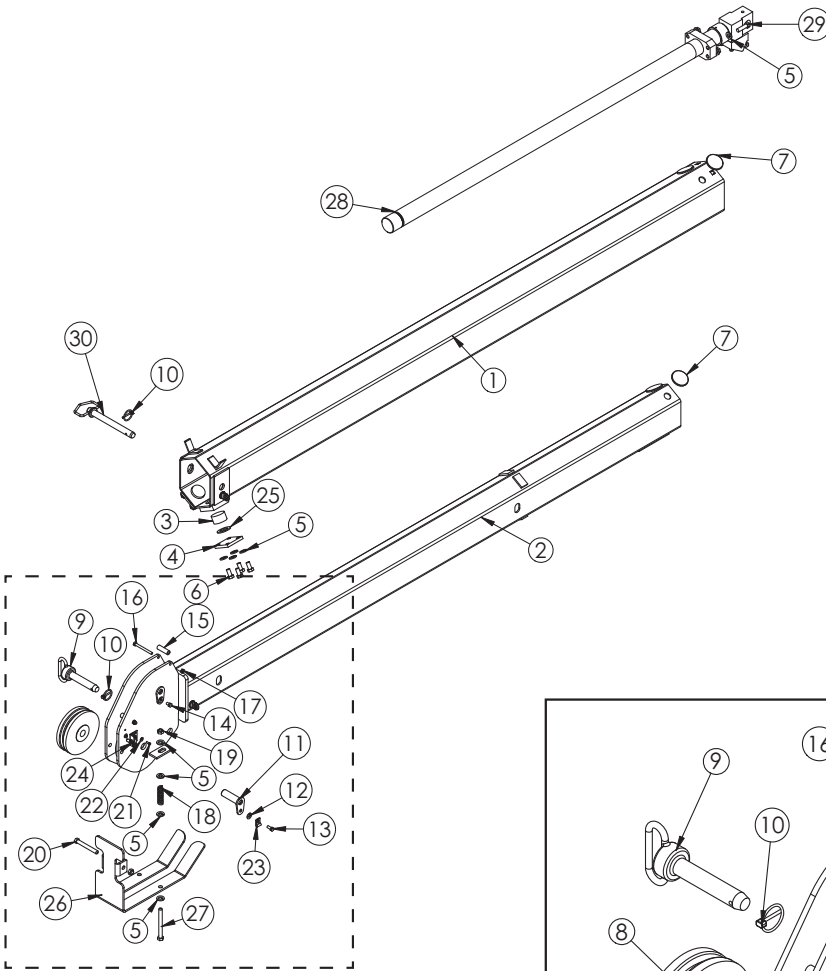
ITEM	PART	DESCRIPTION	QTY.
1	57925	EXT BOOM 1ST 5521 1H1M	1
2	57930	EXT BOOM 2ND 5521 FLIP SHEAVE 1H1M	1
3	12929PC	PLATE SHEAVE MOUNTING	2
4	12824	PIN HITCH 1.00X4.50	2
5	5753	PIN 0.19X1.56 LYNCH	3
6	9363	WEAR PAD 1.12X2.00 RND NYLATRON	2
7	9545PC	PLATE WEAR PAD SUPPORT	2
8	11545	SHEAVE 6620 6.75 DIA. .31R/1.94 THK	2
9	13400ZP	PIN TEAR DROP 1.00X4.38	1
10	13399ZP	PIN TEAR DROP 1.00X3.81	1
11	27719	SPACER BOOM TIP 6620 UHMW	2
12	10172	CAP SCR 0.50-13X1.00 HHGR8	8
13	0490	CAP SCR 0.31-18X3.50 HHGR5	2
14	0420	CAP SCR 0.31-18X0.75 HHGR5	2
15	D0790	WASHER 0.50 SAE FLAT YELLOW GR8	8
16	0343	WASHER 0.31 USS FLAT ZINC	2
17	0342	NUT 0.31-18 HHGR5 NYLOC	2
18	0425	MACHY WASHER 1.25ID 10GA	2
19	34354PC	ANTI 2 BLOCK COVER LH	1
20	11938	SWITCH LIMIT A2B FURNAS 3SE3170	1
21	33749	CAP SCR #10-24X1.75 SH	4
22	18454	CHAIN 0.105X21.50	1
23	D1711	CAP SCR #10-24X0.50 BTNHD SS	1
24	C4956	NUT #10-24 HH NYLOC SS	1
25	37850	CONNECTOR QUICK LINK 0.13	1
26	35264PC	WEIGHT ANTI 2 BLOCK	1
27	0530	CAP SCR 0.38-16X2.75 HHGR5	1
28	0347	NUT 0.38-16 HHGR5 NYLOC	1
29	6252	WEAR PAD 0.34X2.50 RND NYLATRON	4
30	57936	CYLINDER ASM 5521 MANUAL	1
31	C4813	WASHER 0.56 SAE FLAT YELLOW GR8	4
32	9004	CAP SCR 0.50-13X1.75 HHGR8	4
33	57937	PIN HITCH 0.75X8.00	1



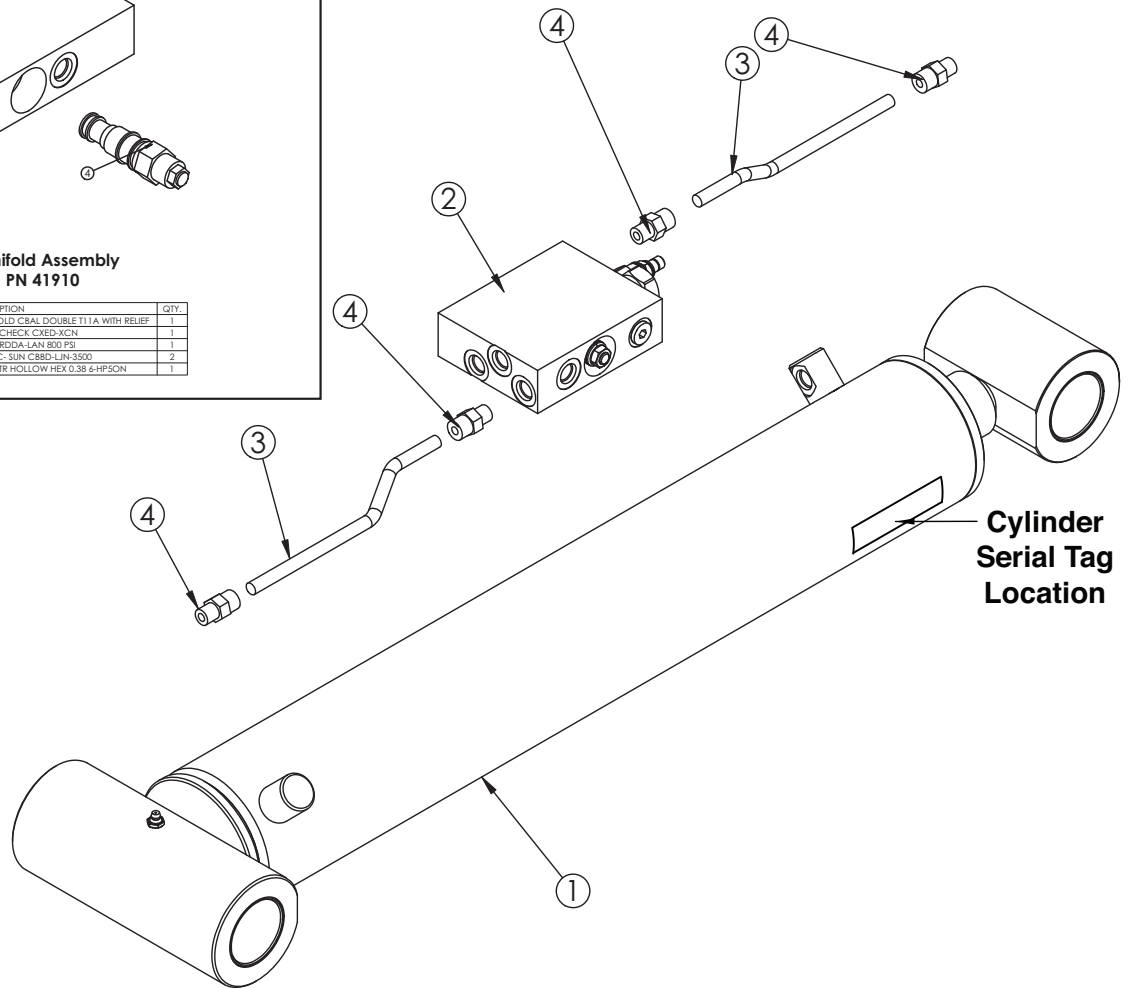
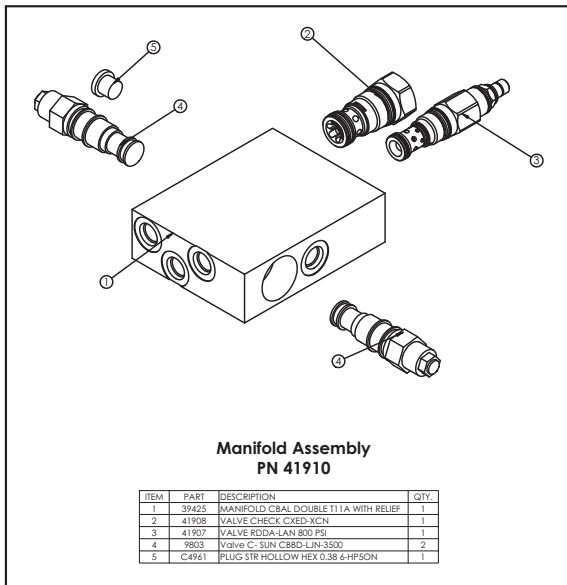
Extension Boom Assembly (Cradle A2B - 1 Hyd/1 Manual) - PN 59146

PN 59146

ITEM	PART	DESCRIPTION	QTY.
1	57925	EXT BOOM 1ST 5521 1H1M	1
2	59147	EXT BOOM 6620 2ND CRADLE A2B	1
3	9363	WEAR PAD 1.12X2.00 RND NYLATRON	2
4	9545PC	PLATE WEAR PAD SUPPORT	2
5	D0790	WASHER 0.50 FLAT GR8	20
6	10172	CAP SCR 0.50-13X1.00 HHGR8 ZY	8
7	9991	WEAR PAD 0.19X2.50 RND NYLATRON	4
8	11545	SHEAVE 6620 6.75 DIA .31R/1.94 THK	2
9	12824	PIN HITCH 1.00X4.50	1
10	5753	PIN 0.19X1.56 LYNCH	2
11	9706ZP	PIN TEAR DROP 1.00X3.25	2
12	0343	WASHER 0.31 USS FLAT ZINC	2
13	0420	CAP SCR 0.31-18X0.75 HHGR5	1
14	0484	CAP SCR 0.31-18 X 0.50 HHGR5	1
15	27719	SPACER BOOM TIP 6620 UHMW	2
16	12178	CAP SCR 0.31-18X3.25 HHGR5	2
17	0342	NUT 0.31-18 HH NYLOC	2
18	27710	SPRING ANTI 2 BLOCK SUMMIT	2
19	C6106	NUT 0.50-13 HHGR5 NYLOC	3
20	0507	CAP SCR 0.50-13X4.50 HHGR5	1
21	31132	SCREW #10-24X0.50 SH SS	2
22	D0178	WASHER #10 SAE FLAT ZINC	2
23	31279	CLAMP 0.31 BLK VINYL	1
24	35105	SWITCH LIMIT E1117-B9111-6C	1
25	0425	MACHY WASHER 1.25ID 10GA	2
26	51903PC	PLATE CRADLE 6620/6628	1
27	C1000	CAP SCR 0.50-13X5.00 HHGR5	2
28	57936	CYLINDER ASM 5521 MANUAL	1
29	9004	CAP SCR 0.50-13X1.75 HHGR8	4
30	57937	PIN HITCH 0.75X8.00	1



Main Cylinder Assembly - PN 54942

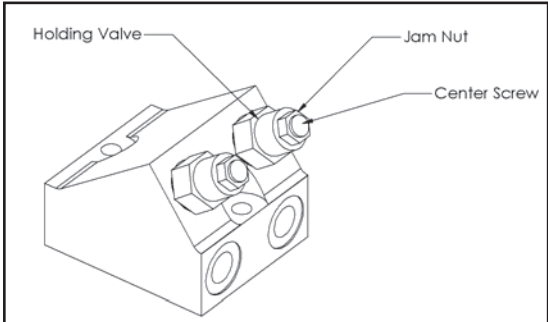


PN 54942

ITEM	PART	DESCRIPTION	QTY.
1	50918	CYLINDER INNER 4.00X21.38 NEW MAST	1
2	41910	MANIFOLD ASM DUAL 10-1CBAL-RLF-CHK	1
3	44066	TUBE ASM 0.38X8.25 MAIN 10628/12628	2
4	0279	FTG ADAPT 6-F5OLO-S	4

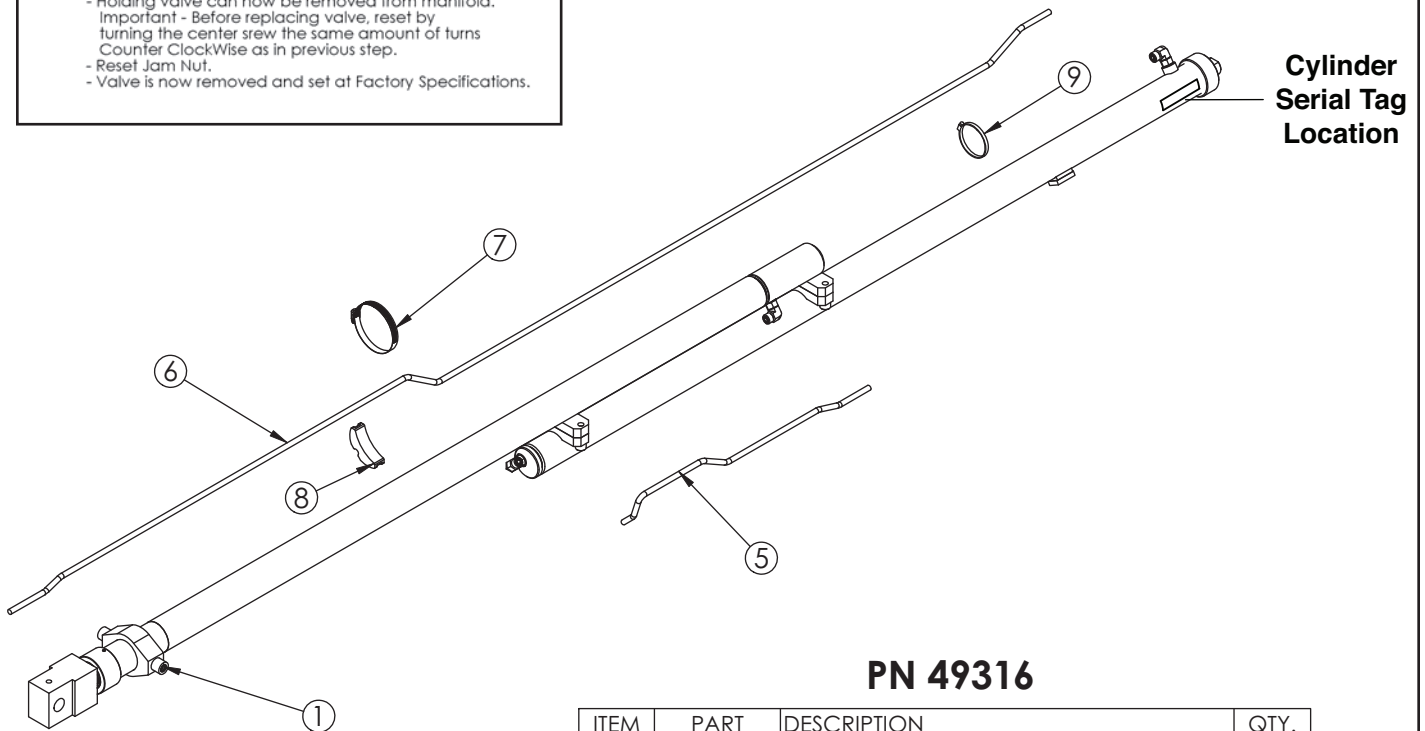
**Note: Main Cylinder uses
Stellar Seal Kit PN 17724**

Extension Cylinder Assembly - PN 49316



Holding Valve Removal Procedure:

- Locate Holding Valve to be removed.
- Unlock Jam Nut, as shown.
- Turn center screw, as shown, ClockWise Direction.
- Important - Count the turns it takes until stopping.
- Holding valve can now be removed from manifold.
- Important - Before replacing valve, reset by turning the center screw the same amount of turns Counter ClockWise as in previous step.
- Reset Jam Nut.
- Valve is now removed and set at Factory Specifications.

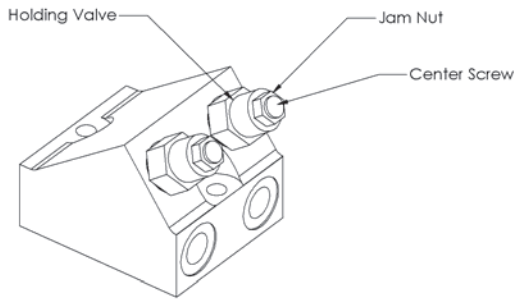


PN 49316

ITEM	PART	DESCRIPTION	QTY.
1	37548	CYLINDER EXT 2 STAGE 2.0/2.0 PTD 60	1
2	14115	MANIFOLD ASM 6620 EXT CBBD-LJN-XVN	1
3	11882	CAP SCR 0.38-16X1.75 SH ZC	2
4	14601	CAP SCR 0.38-16X2.25 SH ZC	1
5	14442	TUBE ASM 0.38X23.25 EXT CYL 6620	1
6	14443	TUBE ASM 0.38X102.25 EXT CYL 6620	1
7	24729	HOSE CLAMP #52 3.00 - 3.75	1
8	18701	CLAMP PORT TUBE ZR518	1
9	D0655	HOSE CLAMP #36 WRM GEAR	1

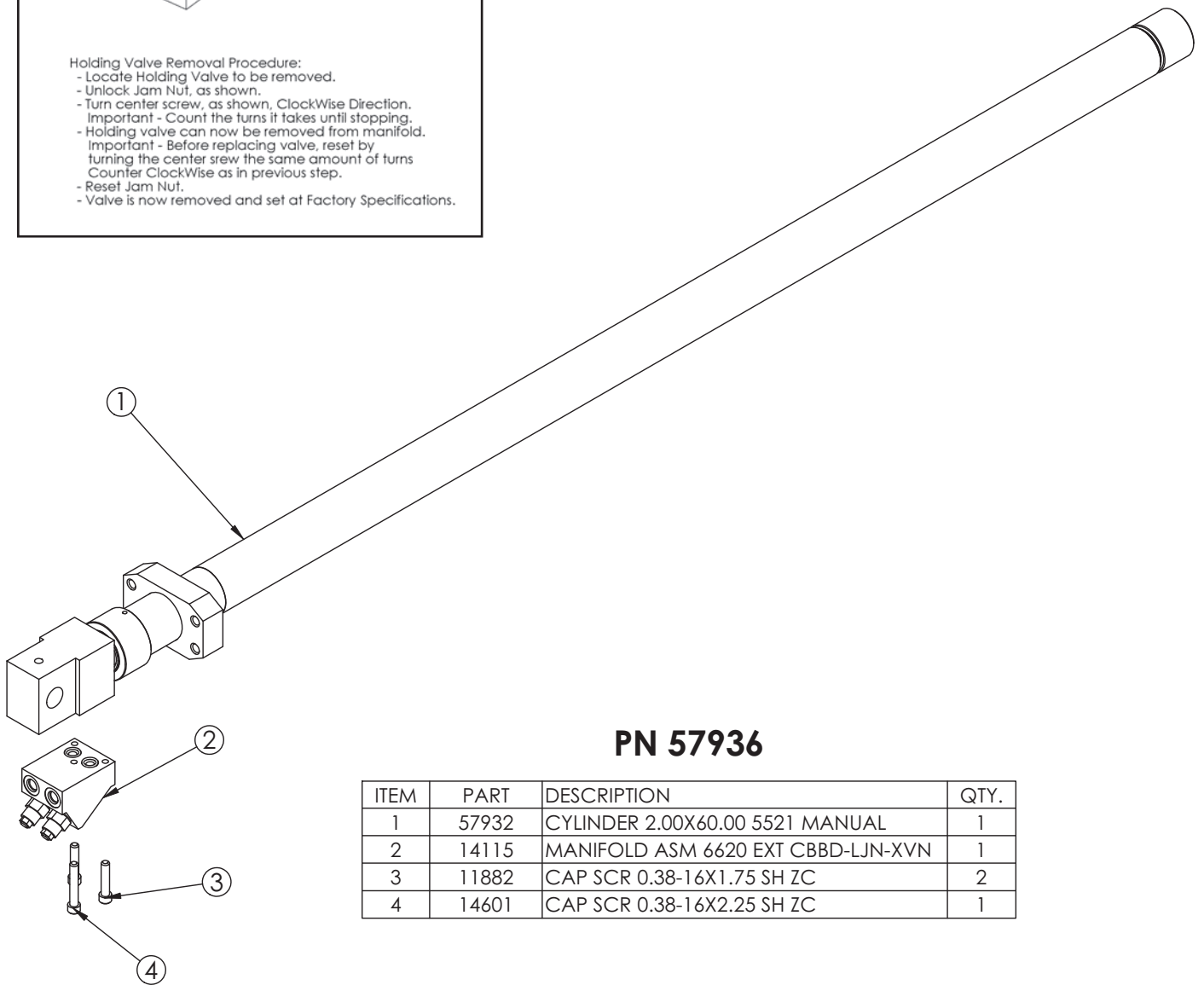
Extension Cylinder Uses:
Upper Seal Kit - PN 54778
Lower Seal Kit - PN 20310

Extension Cylinder Assembly (1 Hyd/1 Manual) - PN 57936



Holding Valve Removal Procedure:

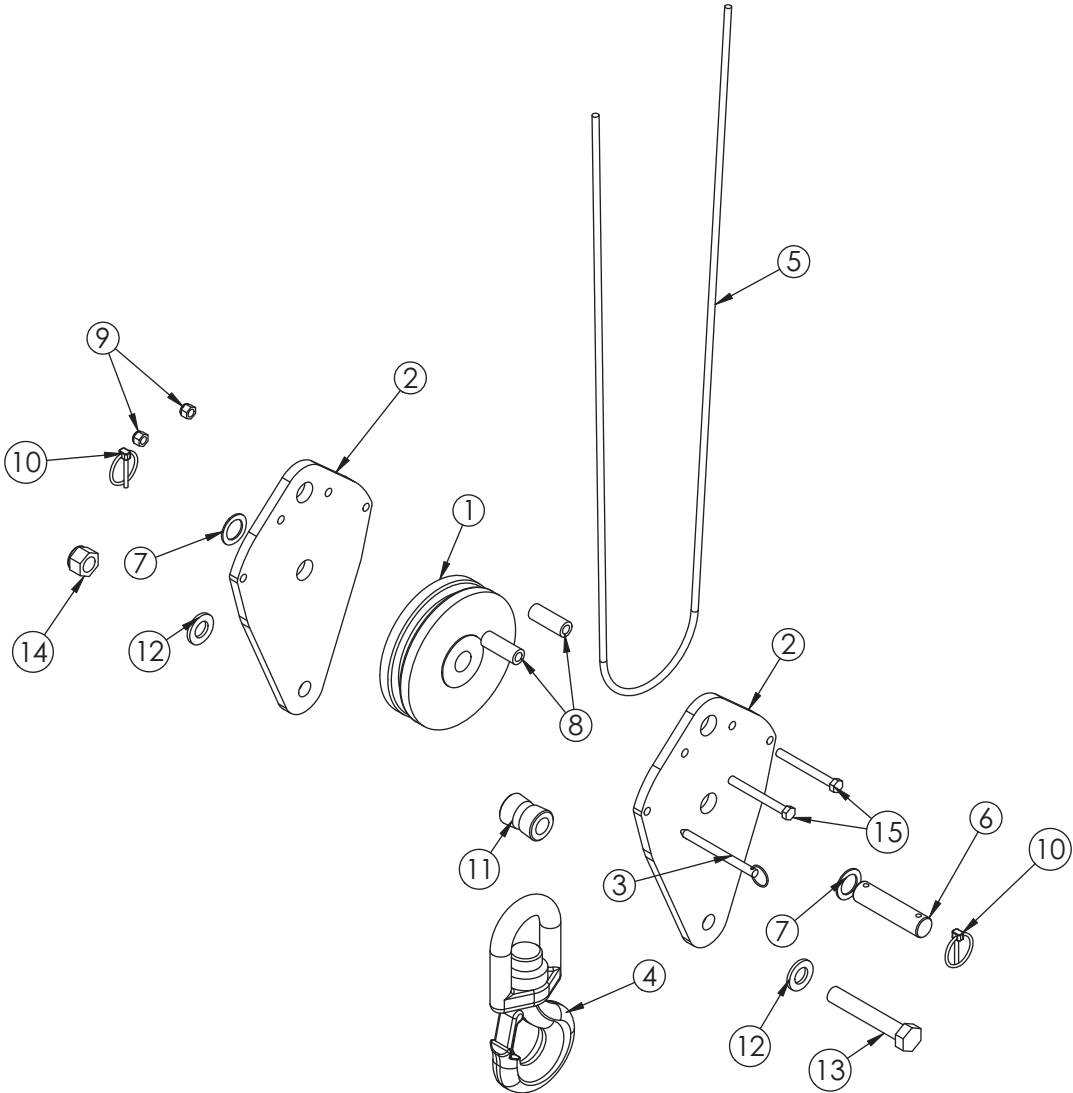
- Locate Holding Valve to be removed.
- Unlock Jam Nut, as shown.
- Turn center screw, as shown, ClockWise Direction.
- Important - Count the turns it takes until stopping.
- Holding valve can now be removed from manifold.
- Important - Before replacing valve, reset by turning the center screw the same amount of turns Counter ClockWise as in previous step.
- Reset Jam Nut.
- Valve is now removed and set at Factory Specifications.



PN 57936

ITEM	PART	DESCRIPTION	QTY.
1	57932	CYLINDER 2.00X60.00 5521 MANUAL	1
2	14115	MANIFOLD ASM 6620 EXT CBBB-LJN-XVN	1
3	11882	CAP SCR 0.38-16X1.75 SH ZC	2
4	14601	CAP SCR 0.38-16X2.25 SH ZC	1

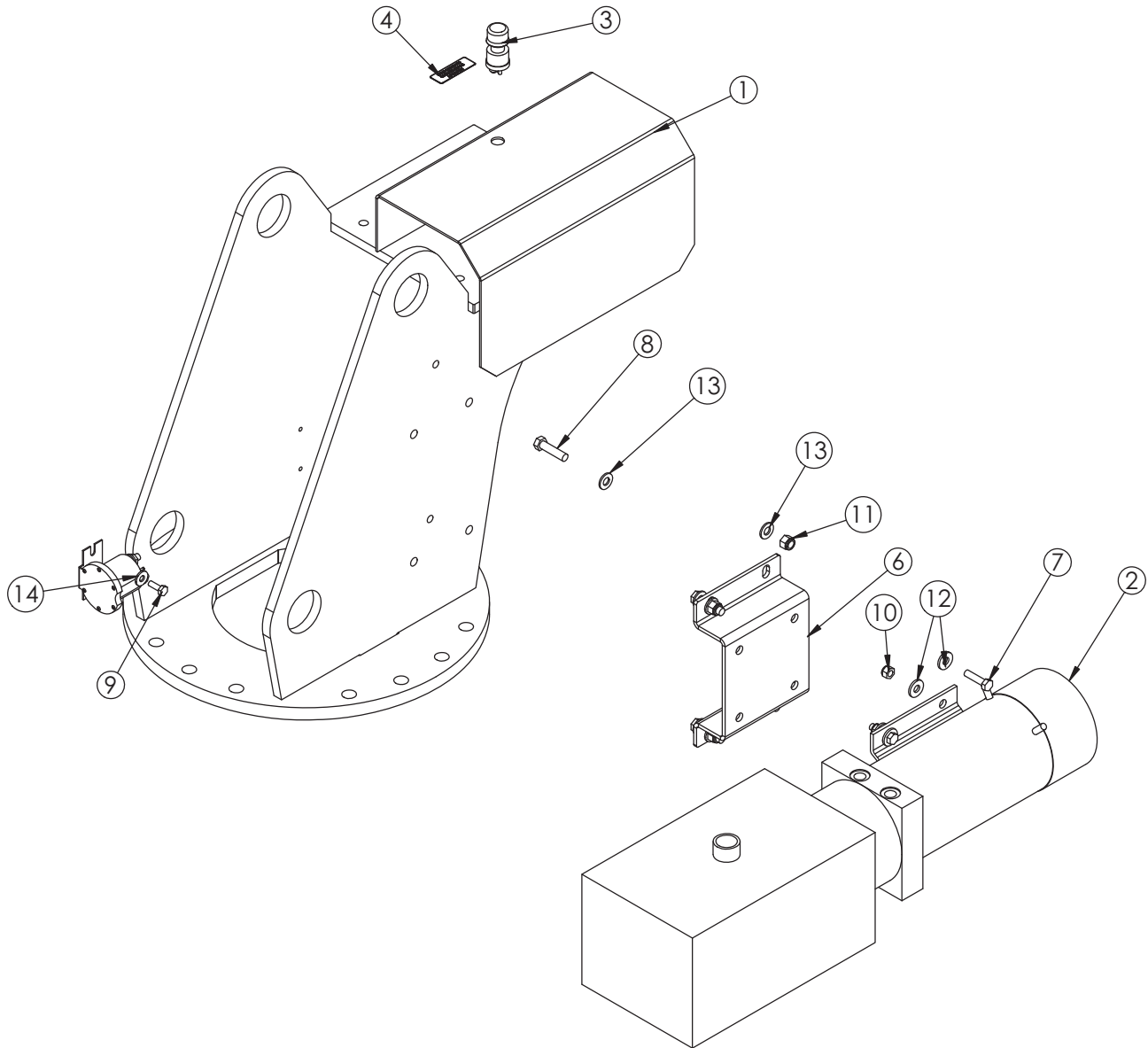
Cable & Hook Assembly - PN 57597



PN 57597

ITEM	PART	DESCRIPTION	QTY.
1	11545	SHEAVE 6620 6.75 DIA .31R/1.94 THK	1
2	57596PC	PLATE SNATCH BLOCK 5521	2
3	13436	PIN .38X4.00 QUICK RELEASE	1
4	25831	HOOK 5 TON SWIVEL CROSBY 1028623	1
5	9610	WIRE ROPE 0.31 6X19 IWRC-XIP 90FT	1
6	39874ZP	PIN 1.00X4.06 COTTER	1
7	0867	MACHY WASHER 1.00ID 14GA	2
8	44643PC	COLLAR 0.44X0.75X2.00	2
9	0347	NUT 0.38-16 HHGR5 NYLOC	2
10	5753	PIN 0.19X1.56 LYNCH	2
11	39844	BUSHING V HOOK	1
12	C6219	WASHER 0.75 SAE FLAT YELLOW GR8	2
13	5841	CAP SCR 0.75-10X4.50 HHGR8	1
14	C0538	NUT 0.75-10 HHGR8 NYLOC	1
15	0531	CAP SCR 0.38-16X3.50 HHGR5	2

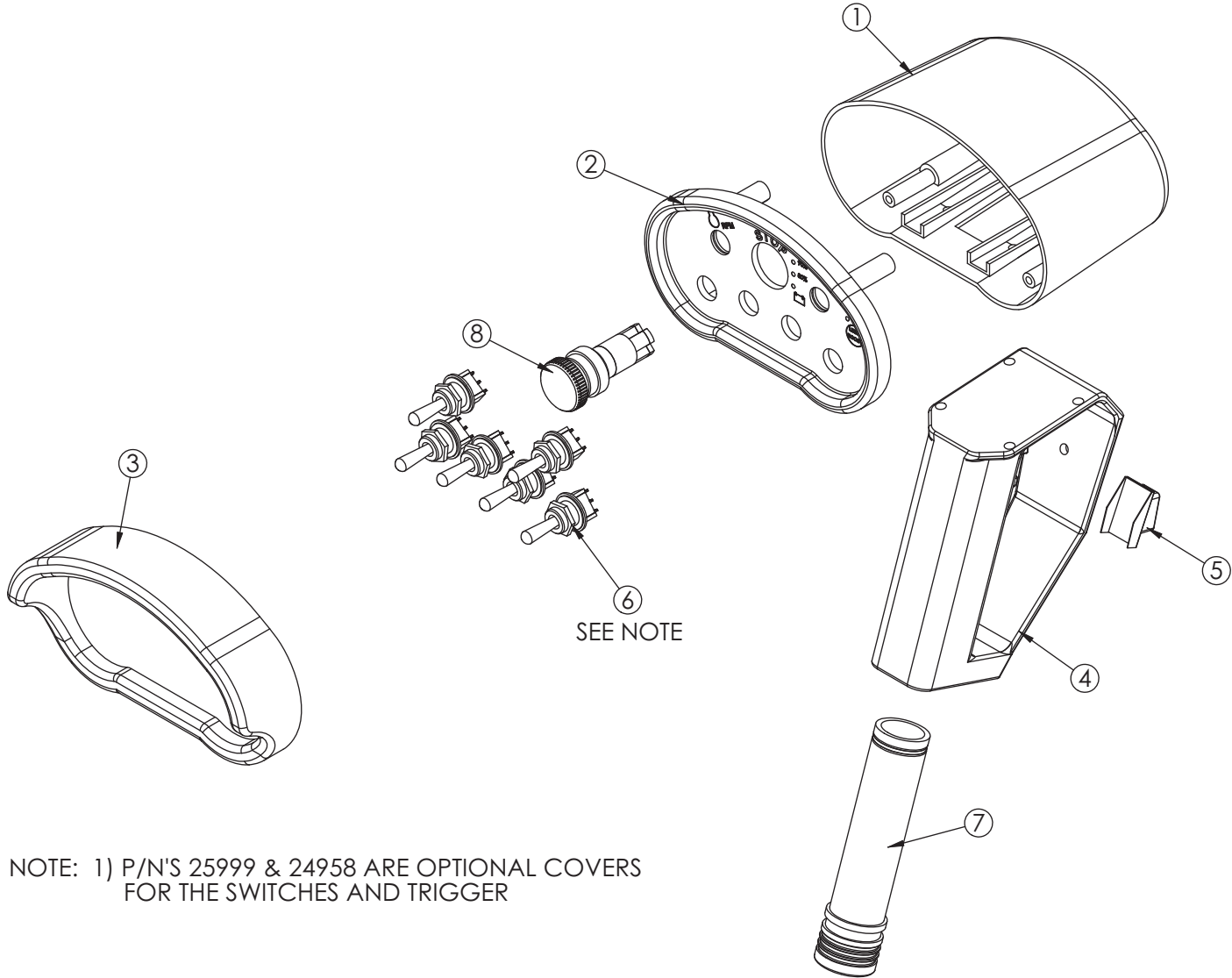
Power Unit Assembly - PN 57939



PN 57939

ITEM	PART	DESCRIPTION	QTY.
1	19997PC	COVER POWER UNIT 5520	1
2	16994	POWER UNIT 12V 5520 HORIZ	1
3	17771	SWITCH PUSH BUTTON 9216-03	1
4	18472	DECAL MANUAL OPERATION 5520	1
6	59136PC	BRACKET POWER UNIT 5521	1
7	0485	CAP SCR 0.31-18X1.25 HHGR5	4
8	16962	CAP SCR 0.38-16X1.50 HHGR8	4
9	0479	CAP SCR 0.25-20X0.75 HHGR5	2
10	0342	NUT 0.31-18 HHGR5 NYLOC	4
11	56673	NUT 0.38-16 HHGR8 NYLOC	4
12	0343	WASHER 0.31 USS FLAT ZINC	8
13	C6353	WASHER 0.38 SAE FLAT YELLOW GR8	8
14	0340	WASHER 0.25 USS FLAT ZINC	2

CDT™ Radio Transmitter Assembly - PN 56647



NOTE: 1) P/N'S 25999 & 24958 ARE OPTIONAL COVERS FOR THE SWITCHES AND TRIGGER

PN 56647

ITEM	PART	DESCRIPTION	QTY.
1	20088	CONTROL HANDLE HOUSING 4 FCTN HET	1
2	56657	CONTROL HANDLE FACE PLT W/LABEL 6 FCTN CDT	1
3	24385	GUARD RADIO SWITCH 4 FCTN	1
4	35447	CONTROL HANDLE GRIP W/TRIGGER HT H2	1
5	24958	RUBBER BOOT TRIGGER GUARD HET	1
6	22600	SWITCH TOGGLE HET RADIO 63019300	6
7	35441	BATTERY TUBE AA HETRONIC RADIO	1
8	47856	SWITCH E STOP NOVA XL	1

Chapter 4 - Replacement Parts

PART#	DESCRIPTION
C6069	HYDRAULIC SWING MOTOR
25367	RELIEF VALVE
25368	SEAL KIT - RELIEF VALVE
24960	FLOW CONTROL VALVE
25369	SEAL KIT - FLOW CONTROL VALVE
25371	SOLENOID VALVE TAND G04571
25373	SEAL KIT - SOLENOID VALVE
44532	COIL - 12VDC
9803	C-BALANCE VALVE
28485	PRESSURE TRANSDUCER
39780	HYDRAULIC OIL GAUGE
44025	FILL CAP - HYDRAULIC RESERVOIR (12 VOLT POWER UNIT)
C2027	O'RING - # 4 FACE SEAL
C2028	O'RING - # 6 FACE SEAL
C2029	O'RING - # 8 FACE SEAL
D1245	O'RING - # 4 SAE
D1246	O'RING - # 6 SAE
D1247	O'RING - # 8 SAE
17724	SEAL KIT - MAIN LIFT CYLINDER
54778	SEAL KIT - EXTENSION CYLINDER (UPPER CYLINDER)
20310	SEAL KIT - EXTENSION CYLINDER (LOWER CYLINDER)
44066	TUBE ASM - MAIN CYLINDER
14442	TUBE ASM - EXTENSION CYLINDER
14443	TUBE ASM - EXTENSION CYLINDER
55827	WORM GEAR - BEARING SWING DRIVE
55829	BEARING & SEAL KIT - BEARING SWING DRIVE
55830	WORM / BEARING & SEAL KIT - BEARING SWING DRIVE
4381	BUSHING 2.00" X 2.00"
0068	BUSHING 1.00" X "1.50
44533	BUSHING 2.00" X 0.75"
9363	WEAR PAD - 2.00" ROUND
6252	WEAR PAD - 2.50" ROUND
9320	PIN CAP .44 X 2.50 X .25
9142	PIN CAP .56 X 2.50" X 0.25" SS
10172	CAP SCR. 0.50-13 X 1.00"
9843	CAP SCR. 0.38-16 X 0.75" GR8
C6353	WASHER 0.38 FLAT GR8
D0790	WASHER 0.50 FLAT GR8
11545	SHEAVE
9610	WIRE ROPE
12824	HITCH PIN 1.00" X 4.50"
57937	HITCH PIN 0.88" X 8.00"
13436	QUICK RELEASE PIN .38 X 4.00"
5753	LYNCH PIN
53493	INCLINOMETER 60 DEGREE
11938	LIMIT SWITCH (CHAIN & WEIGHT) ANTI-2-BLOCK
31670	WEIGHT & CHAIN ASSY - ANTI-2-BLOCK
35105	LIMIT SWITCH (BAR TYPE) ANTI-2-BLOCK
43488PC	CRADLE PLATE - ANTI-2-BLOCK (CRADLE/BASKET STYLE)
61048	CRADLE FS/CRADLE A2B (After 8/1/2011)
27710	SPRING - LIMIT SWITCH CRADLE / BASKET
11544	CORD REEL
56647	RADIO TRANSMITTER (HETRONIC RADIO)
35441	BATTERY TUBE (AA) HOLDER (HETRONIC RADIO)
47856	E-STOP SWITCH (HETRONIC RADIO)
22600	TOGGLE SWITCH (HETRONIC RADIO)
35447	HANDLE / TRIGGER ASM (HETRONIC RADIO)
35916	BACK UP CABLE CONTROL - HETRONIC RADIO SYSTEM
24956	12V SOLENOID (12V POWER UNIT ASSEMBLY)
17771	PUSH BUTTON (12V POWER UNIT ASSEMBLY)
25831	HOOK - 5 TON
19501	SAFETY LATCH FOR 5 TON SWIVEL HOOK
C1592	GREASE ZERK
4460	GEAR BEARING GREASE - MOLUBE (Open Teeth)



Limited Warranty Statement

Stellar Industries, Inc. (Stellar) warrants products designed and manufactured by Stellar to be free from defects in material and workmanship under proper use and maintenance. Products must be installed and operated in accordance with Stellar's written instructions and capacities. This warranty shall cover the following:

Stellar Cranes, Stellar Hooklift Hoists, Stellar Cable Hoists, Stellar Container Carriers, Stellar Service Trucks, and Stellar X-Tra-Lift Systems:

Twelve (12) month warranty on parts from the date recorded by Stellar as the in-service date, not to extend beyond twenty-four (24) months from date of manufacture.

Twelve (12) month repair labor from the date recorded by Stellar as the in-service date, not to extend beyond twenty-four (24) month from date of manufacture, and

Thirty-six (36) month warranty on all Stellar Manufactured structural parts from the date recorded by Stellar as the in-service date, not to extend beyond forty-eight (48) months from date of manufacture.

Stellar Tarper Systems:

Twelve (12) month warranty on parts from the date recorded by Stellar as the in-service date, not to extend beyond twenty-four (24) months from date of manufacture and

Three (3) month repair labor from the date recorded by Stellar as the in-service date, not to extend beyond fifteen (15) month from date of manufacture.

The in-service date will be derived from the completed warranty registration card. In the event a warranty registration card is not received by Stellar, the factory ship date will be used.

Stellar's obligation under this warranty is limited to, and the sole remedy for any such defect shall be, the repair and/or replacement (at Stellar's option) of the unaltered part and/or component in question. Stellar after-sales service personnel must be notified by telephone, fax, or letter of any warranty-applicable damage within fourteen (14) days of its occurrence. If at all possible, Stellar will ship the replacement part within 24-hours of notification by the most economical, yet expedient, means possible. Expedited freight delivery will be at the expense of the owner.

Warranty claims must be submitted and shall be processed in accordance with Stellar's established warranty claim procedure. Stellar after-sales service personnel must be contacted prior to any warranty claim. A return materials authorization (RMA) account number must be issued to the claiming party prior to the return of any warranty parts. Parts returned without prior authorization will not be recognized for warranty consideration. All damaged parts must be returned to Stellar freight prepaid; freight collect returns will be refused. Freight reimbursement of returned parts will be considered as part of the warranty claim.

Warranty service will be performed by any Stellar new equipment distributor, or by any Stellar-recognized service center authorized to service the type of product involved, or by the Stellar factory in the event of a direct sale. At the time of requesting warranty service, the owner must present evidence of date of delivery of the product. The owner shall be obligated to pay for any overtime labor requested of the servicing company by the owner, any field service call charges, and any towing and/or transportation charges associated with moving the equipment to the designated repair/service provider.

All obligations of Stellar and its authorized dealers and service providers shall be voided if someone other than an authorized Stellar dealer provides other than routine maintenance service without prior written approval from Stellar. In the case repair work is performed on a Stellar-manufactured product, original Stellar parts must be used to keep the warranty in force. The warranty may also be voided if the product is modified or altered in any way not approved, in writing, by Stellar.

The owner/operator is responsible for furnishing proof of the date of original purchase of the Stellar product in question. Warranty registration is the ultimate responsibility of the owner and may be accomplished by the completion and return of the Stellar product registration card provided with the product. If the owner is not sure of registration, he is encouraged to contact Stellar at the address below to confirm registration of the product in question. This warranty covers only defective material and workmanship. It does not cover depreciation or damage caused by normal wear and tear, accident, mishap, untrained operators, or improper or unintended use. The owner has the obligation of performing routine care and maintenance duties as stated in Stellar's written instructions, recommendations, and specifications. Any damage resulting from owner/operator failure to perform such duties shall void the coverage of this warranty. The owner will pay the cost of labor and supplies associated with routine maintenance.

The only remedies the owner has in connection with the breach or performance of any warranty on the Stellar product specified are those set above. In no event will Stellar, the Stellar distributor/dealer, or any company affiliated with Stellar be liable for business interruptions, costs of delay, or for any special, indirect, incidental, or consequential costs or damages. Such costs may include, but are not limited to, loss of time, loss of revenue, loss of use, wages, salaries, commissions, lodging, meals, towing, hydraulic fluid, or any other incidental cost.

All products purchased by Stellar from outside vendors shall be covered by the warranty offered by that respective manufacturer only. Stellar does not participate in, or obligate itself to, any such warranty.

Stellar reserves the right to make changes in design or improvement upon its products without imposing upon itself the same upon its products theretofore manufactured.

This warranty will apply to all Stellar Cranes, Stellar Hooklift Hoists, Stellar Cable Hoists, Stellar Container Carriers, Stellar Service Trucks, Stellar X-Tra-Lift Systems, and Stellar Tarper Systems shipped from Stellar's factory after January 1st, 2010. The warranty is for the use of the original owner only and is not transferable without prior written permission from Stellar.

THIS WARRANTY IS EXPRESSLY IN LIEU OF ANY OTHER WARRANTIES, EXPRESS OR IMPLIED, INCLUDING ANY WARRANTY OF MERCHANTABILITY OR FITNESS FOR A PARTICULAR PURPOSE. REMEDIES UNDER THIS WARRANTY ARE LIMITED TO THE PROVISION OF MATERIAL AND SERVICES, AS SPECIFIED HEREIN. STELLAR INDUSTRIES, INC. IS NOT RESPONSIBLE FOR INCIDENTAL OR CONSEQUENTIAL DAMAGES.

Revision Date: February 2010

Document Number: 37040