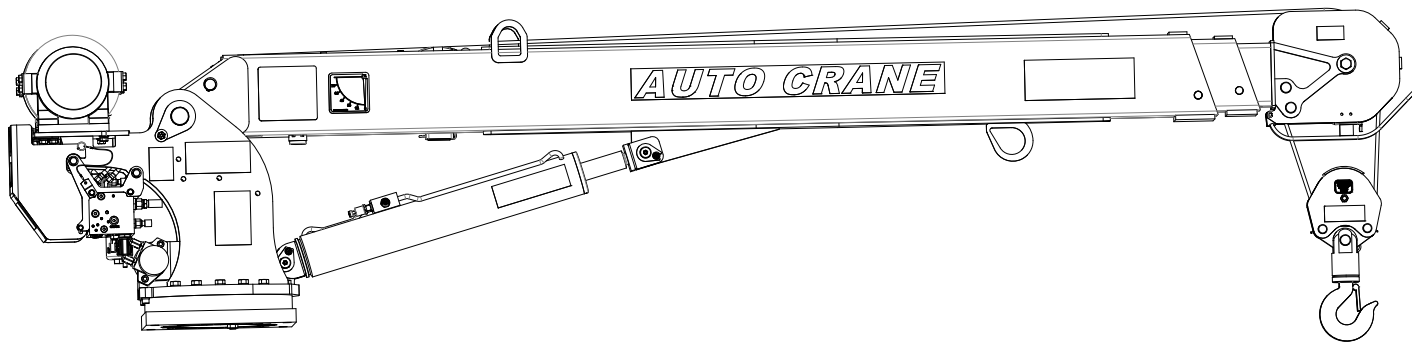




# HC-7 NEXSTAR OWNERS MANUAL

Manual No. 477823014



Serial No. \_\_\_\_\_

**Mailing Address:**  
P.O. Box 580697  
Tulsa, OK 74158-0697  
**Physical Address:**  
4707 N. Mingo Rd.  
Tulsa, OK 74117-5904

**Phone 1-800-777-2760**  
**Fax (918) 269-6688**  
<http://www.autocrane.com>

OM 477823014-0414-A





Auto Crane Warranty Registration
Fax Transmission

To: Warranty Department Fax: (918) 834-5979
From: Date:
Re: Product Registration Pages:

End User Information: (Required for Warranty Activation)

Name: Phone:
Address:
City: State: Zip:
Contact: E-mail Address:

Distributor Information: (Required for Warranty Activation)

Name:
Address:
City: State: Zip:
Contact: E-mail Address:

Product Information: (Required for Warranty Activation)

Model No.: Serial No.:
Date Product Delivered: Date Processed:\*
VIN # \* For Auto Crane use only

ONE REGISTRATION FORM PER UNIT (CRANE OR BODY)
Registration form must be mailed or faxed within 15 days of customer installation.

Mail to: Warranty
Department Auto
Crane Company P.O.
Box 581510
Tulsa, OK 74158-0697





# WARNINGS

**WARNING!** Federal law (49 cfr part 571) requires that the Final Stage Manufacturer of a vehicle certify that the vehicle complies with all applicable federal regulations. Any modifications performed on the vehicle prior to the final state are also considered intermediate stage manufacturing and must be certified as to compliance. The installer of this crane and body is considered one of the manufacturers of the vehicle. As such a manufacturer, the installer is responsible for compliance with all applicable federal and state regulations, and is required to certify that the vehicle is in compliance.

**WARNING!** It is the further responsibility of the installer to comply with the OSHA Truck Crane Stability Requirements as specified by 29 CFR part 1910.180 (C) (1).

**WARNING! NEVER OPERATE THE CRANE NEAR ELECTRICAL POWER LINES!**

**Death** or serious injury will result from boom, line, or load contacting electric lines. Do not use crane within 10 feet (3.05m) of electric power lines carrying up to 50,000 volts. One-foot additional clearance is required for every additional 30,000 volts or less. **SEE DANGER DECAL (P/N 040529)** in this Owner's Manual.

**WARNING! NEVER.....**

- **EXCEED** load chart capacities (centerline of rotation to hoist hook).
- Un-reel last 5 wraps of cable from drum!
- Wrap cable around load!
- Attempt to lift or drag a load from the side! The boom can fail far below its rated capacity.
- Weld, modify, or use unauthorized components on any Auto Crane unit! This will void any warranty or liability. Also failure of the crane may result.
- Place a chain link on the tip of the hook and try to lift a load!
- Use a sling bar or anything larger than the hook throat that could prevent the hook latch from closing, thus negating the safety feature!
- Hold on any pendant Select Switch that will cause unsafe operating conditions!

**WARNING!** In using a hook with latch, **ALWAYS** make sure that the hook latch throat is closed before lifting a load! Proper attention and common sense applied to the use of the hoist hook and various slings will prevent possible damage to material being hoisted and may prevent injury to personnel.

**WARNING!** Failure to correctly plumb and wire crane can cause inadvertent operation and damage to crane and/or personnel!

**WARNING!** Auto Crane Company remote controlled cranes are not designed or intended for use for any applications involving the lifting or moving of personnel.

**WARNING! ALWAYS** operate the crane in compliance with the load capacity chart. **DO NOT USE** the overload shutdown device to determine maximum rated loads, if the crane is equipped with this type of device.

**READ THIS PAGE**

# **HC-7**

## **TABLE OF CONTENTS**

INTRODUCTION	.....	1
GENERAL SPECIFICATIONS	.....	3
SAFETY TIPS AND PRECAUTIONS	.....	4
OPERATING PRACTICES & WARNINGS	.....	6
QUALIFICATIONS FOR OPERATORS	.....	7
OPERATION OF UNIT / OUTRIGGERS	.....	10
CRANE OPERATION	.....	11
TRANSMITTER SYNCHRONIZATION	.....	14
INSPECTION	.....	15
GENERAL REPAIRS AND MAINT.	.....	18
BATTERY MAINTENANCE	.....	20
LUBRICATION & MAINT. SCHEDULE	.....	22
SAFETY DECAL SECTION	.....	24
GENERAL DIMENSIONS	.....	29
MOUNTING AND INSTALLATION	.....	32
GENERAL ASSEMBLY	.....	34
PEDESTAL ASSEMBLY	.....	36
BOOM ASSEMBLY	.....	37
ROTATION GEARBOX	.....	42
HOIST ASSEMBLY	.....	46
TRAVELING BLOCK ASSEMBLY	.....	49
MAIN HARNESS DIAGRAM	.....	50
HYDRAULIC CONTROL VALVE	.....	53
COUNTERBALANCE VALVE ADJ.	.....	54
VALVE OVERRIDE	.....	55
TROUBLESHOOTING CHART	.....	56
ERROR CODE TROUBLESHOOTING	.....	57
ELECTRICAL TROUBLESHOOTING	.....	58
HYDRAULIC TROULBESHOOTING	.....	60
HC-7 LOAD CHART	.....	61
WARRANTY	.....	LAST 2 PAGES

# HC-7

## INTRODUCTION

Auto Crane products are designed to provide many years of safe, trouble-free, dependable service when properly used and maintained.

To assist you in obtaining the best service from your crane and to avoid untimely crane and/or vehicle failure, this manual provides the following operating and service instructions. It is **specifically recommended** that all operating and service personnel consider this manual as mandatory material for reading and study before operating or servicing Auto Crane products. It is **highly recommended** that crane owners, equipment managers, and supervisors also read this manual.

Auto Crane has incorporated several safety features in the HC-7 crane for your protection.

For your convenience the overall dimensions of the HC-7 crane are included on the General Dimension Drawing. Rotation and turning radius are also listed on that drawing.

Remember, the crane adds weight to the vehicle. Adding weight may change the driving and riding characteristics of the vehicle unless the appropriate overload spring(s) are installed on the truck. The payload of the vehicle is reduced by the weight of the crane. The operator should exercise care when loading the vehicle. Distributing the payload on the vehicle evenly will greatly improve the driving and riding characteristics of the vehicle.

The HC-7 cranes are attached to your 12-volt truck electrical system through the relay provided. The HC-7 is another highly efficient Auto Crane product. The use of a maintenance-free battery is not recommended on any Auto Crane product. The recommended alternator and battery that will give the longest life with the most useful duty cycle is a 60-amp

alternator with a 500 cold cranking amp battery. These specifications should be considered minimum.

It has always been Auto Crane Company policy to handle all warranty claims we receive as promptly as possible. If a warranty claim involves discrepant material or workmanship, Auto Crane will take immediate corrective action. It is understandable that Auto Crane Company cannot assume responsibility of liability when it is obvious that our products have been abused, misused, overloaded or otherwise damaged by inexperienced persons trying to operate the equipment without reading the manual.

Auto Crane maintains a strong distributor network and a knowledgeable Customer Service Department. In most cases, an equipment problem is solved via phone conversation with our customer service department. The customer service department also has the ability to bring a local distributor, a regional sales manager, or a factory serviceman into the solution of an equipment problem.

If, through no fault of Auto Crane Company, it is necessary to send an experienced factory serviceman on a field service call the rates stated in the Auto Crane Distributor's Flat Rate Manual will apply.

Auto Crane Company's extensive Research and Development Program allow our customers to use the best equipment on the market. Our Engineering Staff and our knowledgeable sales people are always available to our customers in solving crane and winch-type application problems. When in doubt, call the Auto Crane factory.



# **HC-7 INTRODUCTION**

## *DISTRIBUTOR ASSISTANCE:*

Should you require any assistance not given in this manual, we recommend that you consult your nearest Auto Crane Distributor. Our distributors sell authorized parts and have service departments that can solve almost any needed repair. This manual does not cover all maintenance, operating, or repair instructions pertinent to all possible situations. If you require additional information, please contact the Auto Crane Company at the following telephone number: 1-800-777-2760. The information contained in the manual is in effect at the time of this printing. Auto Crane Company reserves the right to update this material without notice or obligation.

# **HC-7**

## **GENERAL SPECIFICATIONS**

### **DIMENSIONS**

**Width:** 23.25 in. (0.59 m)  
**Height:** 32.75 in. (0.83 m)  
**Length:** 13 ft 0-3/8 in (3.97 m)  
 [Boom(s) stored]  
**Weight:** 1,705 lbs (773 kg)

### **CAPACITY**

38,000 ft-lbs (5.20 ton-m)  
 [ft-lbs = horizontal distance from centerline of rotation to free hanging weight (feet) x amount of weight (pounds)]

<b>LIFTING CAPACITIES</b>			
<b>ANGLE</b>	<b>RETRACTED</b>	<b>MID EXT.</b>	<b>EXTENDED</b>
0	3,664	2,303	1,853
15	3,793	2,384	1,919
30	4,231	2,659	2,140
45	5,180	3,256	2,621
60	7,000	4,606	3,707
75	7,000	7,000	6,115

### **REACH**

Second boom will reach from 10 feet 6 inches to 16 feet 6 inches.  
 Third boom will reach from 16 feet 6 inches to 20 feet 6 inches.

### **CABLE**

95 ft (28.9 m) of 3/8 in (9.5 mm) diameter aircraft quality cable. This cable has a single line breaking strength of 14,700 lbs (6,667.8 kg).

### **CHASSIS REQUIREMENTS**

14,500 lbs (6,577 kg) GVWR minimum  
 360,000 in-lbs RBM

### **HYDRAULIC REQUIREMENTS**

8 gpm flow @ 2,750 psi

### **ELECTRICAL SYSTEM REQUIREMENTS**

**Voltage:** 12 VDC  
**Alternator:** 60 amps (minimum)  
**Battery:** 100 minute reserve capacity (minimum)  
 Maintenance type

### **ROTATION**

370° Rotation with electric stop.

# **—-IMPORTANT—-**

## **SAFETY TIPS AND PRECAUTIONS**

1. No unqualified or unauthorized person shall be allowed to operate the crane.
2. **WARNING:** Never weld, modify, or use unauthorized components / parts on any Auto Crane unit. This will void any warranty or liability. Also, failure of the crane may result.
3. Make certain the vehicle meets minimum chassis requirements. (These requirements do not guarantee unit stability.)
4. Make certain the crane is installed per factory specifications. Contact your local distributor or the Auto Crane factory if any questions arise.
5. Visual inspections and tests should be conducted at the beginning of each shift each day to insure that the crane and all its operating systems are in good condition and working order before it is used.
6. Inspect hydraulic hoses frequently for signs of deterioration, and replace them as required.
7. If a hydraulic break occurs, leave the area of the break and do not attempt to stop the break by hand as the hydraulic oil may be hot and under high pressure which can cause serious injury. Shut the system down as soon as possible.
8. Check the hook at least every thirty days for distortions or cracks and replace it as required.
9. Oil gears as required.
10. Stop all operations when cleaning, adjusting or lubricating the machine.
11. Keep dirt and grit out of moving parts by keeping crane clean. Make sure machine is free of excess oil, grease, mud and rubbish, thus reducing accidents and fire hazards.
12. When a new cable is installed, operate first with a light load to let the cable adjust itself.
13. Locate the vehicle at the work site for the best stability possible.
14. Keep the vehicle in a level position while loading or unloading.
15. Observe operating area for obstructions and/ or power lines that might be a hazard.
16. **WARNING: NEVER OPERATE THE CRANE NEAR ELECTRICAL POWER LINES.** Auto Crane Company recommends that the crane never be any closer to a power line (including telephone lines) than 10 feet at any point.
17. Allow the vehicle engine to warm up before operating crane.
18. Know the weight of your rigging and load to avoid overloading the crane.
19. Deduct the weight of the load handling equipment from the load rating to determine how much weight can be lifted.
20. All load ratings are based on crane capacity, NOT the vehicle stability. Remember in lifting a heavy load, the weight can create enough tipping moment to overturn the vehicle
21. Always comply with load chart capacities, (centerline of rotation to hook).
22. Secure all loads before lifting.
23. Always set the emergency brake before beginning operation.
24. Keep objects and personnel clear of crane path during operation.
25. Operate control levers slowly and smoothly in order to meter oil flow for safe operation. (Not applicable to electric-hydraulic cranes.)
26. Always extend the outriggers from vehicle to the ground before crane operation. Insure that they are firmly positioned on solid footings. Stand clear of outriggers while they are being extended.
27. If any outrigger, when extended, rests on a curb or other object that prevents it from extending to its maximum distance, shorten bearing or fulcrum point and reduce the maximum load accordingly.
28. When an outrigger will not reach the ground due to holes or grades, it shall be blocked up to provide level and firm support for the truck.
29. When working in soft earth, use wide pads under outrigger feet to prevent sinking.
30. Always store outriggers before transportation.

## **WARNING!**

Auto Crane Company cranes are not designed or intended for use in lifting or moving persons. Any such use shall be considered to be improper and the seller shall not be responsible for any claims arising there from. This sale is made with the express understanding that there is no warranty that the goods shall be fit for the purpose of lifting or moving persons or other improper use and there is no implied warranty or responsibility for such purposes.

# **—-IMPORTANT—-**

## **SAFETY TIPS AND PRECAUTIONS**

31. Always store the crane in its stowed position for transportation.
32. Remember the overall height of the entire unit for garage door clearance or when moving under objects with low overhead clearance
33. Disengage power takeoff (PTO) before moving the vehicle.  
(Not applicable to electric-hydraulic cranes.)
34. Always walk around the vehicle before moving.
35. Never drive with a load suspended from crane.
36. Do not take your eyes off a moving load. Look in the direction you are moving.
37. Never swing a load over people.
38. Do not stop the load sharply in midair so that it swings like a pendulum. Meter the control levers to avoid this situation. (Not applicable to electric-hydraulic cranes.)
39. Crane boom length should be kept as short as possible for maximum lifting capacity and greater safety. Longer booms require additional care in accelerating and decelerating the swing motion, and thus slow down the working cycle and reduce productivity.
40. Keep the load directly and vertically under the boom point at all times. Crane booms are designed to handle vertical loads, not side lifts.
- WARNING:** Never attempt to lift, drag, tow or pull a load from the side. The boom can fail far below its rated capacity.
41. Do not push down on anything with boom extensions; similarly do not lift anything with boom extensions.
42. Do not lift personnel with any wire rope attachment or hook. There is no implied warranty or responsibility for such purposes.
43. **WARNING:** In using a safety hook, ALWAYS close the hook latch before lifting a load. Proper attention and common sense applied to the use of the hook and various slings will prevent possible damage to material being hoisted and may prevent injury to personnel.
44. **WARNING:** Never place a chain link on the tip of the hook and try to lift a load with the hoist.
45. **WARNING:** Never use a sling bar or anything larger than the hook throat which could prevent the safety latch from closing, thus negating the safety feature.
46. Do not wrap the wire rope around sharp objects when using winch.
47. **WARNING:** Never unreel last 5 wraps of cable from drum.

# **—-IMPORTANT—-**

## **OPERATING PRACTICES AND WARNINGS**

1. Make certain the vehicle meets minimum chassis requirements. (These requirements do not guarantee unit stability)
  2. Make certain the crane is installed per factory specifications. Contact your local Distributor or the Auto Crane factory if any questions arise.
  3. Keep the vehicle in as level a position as possible while loading or unloading.
  4. **ALWAYS** set the vehicle emergency brake before beginning crane operations.
  5. **ALWAYS** use outriggers from vehicle to the ground during crane operation. Make sure they are firmly positioned on solid footings.
  6. All load ratings are based on crane capacity, **NOT** truck/crane stability.
  7. Keep objects and personnel clear of crane path during operation.
  8. Keep hoist cable pulled tight at all times.
  9. **REMEMBER**, in lifting a heavy load, the weight can create enough tipping momentum to overturn the vehicle.
  10. **ALWAYS** keep load as close to ground as possible.
  11. Hydraulic hoses need to be inspected frequently for signs of deterioration, and be replaced as required.
  12. The hoist hook is an important item that an operator should consider and use properly. It should be checked on a daily basis for distortion or cracks.
  13. **ALWAYS** store outriggers before road travel.
  14. In applications, where the rotation of the load is hazardous a tag or restraint line should be used (ref OSHA 1910.180(h)(3)(xvi)). To reduce the potential for the load to rotate or rope twist, operate at minimal boom angles and extension. If restraining the load and/or changing operation location is not an option,
  15. **WARNING! NEVER OPERATE THE CRANE NEAR ELECTRICAL POWER LINES!** Death or serious injury will result from boom, line, or load contacting electric lines. Do not use crane within 10 feet (3.05m) of electric power lines carrying up to 50,000 volts. One foot additional clearance is required for every additional 30,000 volts or less.
  16. **WARNING! NEVER EXCEED** load chart capacities (centerline of rotation to hoist hook).
  17. **WARNING! NEVER** un-reel last 5 wraps of cable from drum!
  18. **WARNING! NEVER** wrap cable around load!
  19. **WARNING! NEVER** attempt to lift or drag a load from the side! The boom can fail far below its rated capacity.
  20. **WARNING! NEVER** weld, modify, or use unauthorized components on any Auto Crane unit! This will void any warranty or liability. Also failure of the crane may result.
  21. **WARNING! NEVER** place a chain link on the tip of the hook and try to lift a load!
  22. **WARNING! NEVER** use a sling bar or anything larger than the hook latch that could prevent the hook latch from closing, thus negating the safety feature!
  23. **WARNING!** In using a hook with latch, **ALWAYS** insure that the hook latch is closed before lifting a load! Proper attention and common sense applied to the use of the hoist hook and various slings will prevent possible damage to material being hoisted and may prevent injury to personnel.
- WARNING! NEVER** hold any Control Select Switch on that will cause unsafe operating conditions!

## **WARNING!**

**Auto Crane Company remote controlled, stiff boom cranes are not designed or intended for use on any applications involving the lifting or moving of personnel.**

# **QUALIFICATIONS FOR AND CONDUCT OF OPERATORS AND OPERATING PRACTICES**

## **REFERENCE ASME B30.5a AND OSHA 1910.180 FOR COMPLETE QUALIFICATION REQUIREMENTS**

### **OPERATORS**

1. **Crane operation shall be limited to personnel with the following minimum qualifications:**
  - A. Designated persons.
  - B. Trainees under the direct supervision of a designated person.
  - C. Maintenance and test personnel (when it is necessary in the performance of their duties).
  - D. Inspectors (crane).
2. No one other than the personnel specified above shall enter the operating area of a crane with the exception of persons such as oilers, supervisors, and those specified persons authorized by supervisors whose duties require them to do so and then only in the performance of their duties and with the knowledge of the operator or other persons.

### **QUALIFICATIONS FOR OPERATORS**

1. Operators shall be required by the employer to pass a practical operating examination. Qualifications shall be limited to the specific type of equipment for which examined.
2. Operators and operator trainees shall meet the following physical qualifications:
  - A. Vision of at least 20/30 Snellen in one eye and 20/50 in the other, with or without corrective lenses.
  - B. Ability to distinguish colors, regardless of position, if color differentiation is required for operation.
  - C. Adequate hearing with or without hearing aid for the specific operation.
3. Evidence of physical defects or emotional instability, which render a hazard to operator or others, which in the opinion of the examiner could interfere with the operator's performance, may be sufficient cause for disqualification. In such cases, specialized clinical or medical judgment and tests may be required.
4. Evidence that operator is subject to seizures or loss of physical control shall be sufficient reason for disqualification. Specialized medical

tests may be required to determine these conditions.

5. Operators and operator trainees should have normal depth perception, coordination, and no tendencies to dizziness or similar undesirable characteristics.
6. In addition to the above listed requirements, the operator shall:
  - A. Demonstrate the ability to comprehend and interpret all labels, operator's manuals, safety codes, and other information pertinent to correct crane operations.
  - B. Posses the knowledge of emergency procedures and implement it.
  - C. Demonstrate to the employer the ability to operate the specific type of equipment.
  - D. Be familiar with the applicable safety regulations.
  - E. Understand the operating procedures as outlined by the manufacturer.
  - F. Be thoroughly familiar with the crane and its control functions.
  - G. Understand the operating procedures as outlined by the manufacturer.

### **CONDUCT OF OPERATORS**

1. **The operator shall not engage in any practice, which will divert his attention while actually operating the crane.**
2. **Each operator shall be responsible for those operations under the operator's direct control. Whenever there is any doubt as to safety, the operator shall consult with the supervisor before handling the loads.**
3. **The operator should not leave a suspended load unattended unless specific precautions have been instituted and are in place.**
4. **If there is a warning sign on the switch or engine starting controls, the operator shall not close the switch or start the engine until the warning sign has been removed by the appointed person.**
5. Before closing the switch or starting the engine, the operator shall see that all controls are in the "OFF"



# QUALIFICATIONS FOR AND CONDUCT OF OPERATORS AND OPERATING PRACTICES

- or neutral position and all personnel are in the clear.
6. If power fails during operation, the operator shall:
    - A. Move power controls to the "OFF" or neutral position.
    - B. Land the suspended load and boom, if practical.
  7. The operator shall be familiar with the equipment **and its proper care. If adjustments or repairs are necessary, the operator shall report the same promptly to the appointed person, and shall also notify the next operator.**
  8. **The operator at the start of each shift shall test all controls. If any controls do not operate properly, they shall be adjusted or repaired before operations are begun.**
  9. **Stabilizers shall be visible to the operator while extending or setting unless a signal person assists operator.**
- C. Means are provided to hold the vehicle stationary while operating the crane.
  - D. Before starting to lift, the hook shall be positioned over the load in such a manner as to minimize swinging.
  - E. During lifting care shall be taken that:
    1. There is no sudden acceleration or deceleration of the moving load.
    2. Load, boom or other parts of the crane do not contact any obstruction.
  - F. Cranes shall not be used for dragging loads sideways.
  - G. This standard recognizes that telescopic boom cranes are designed and intended for handling materials. They do not meet personnel lift or elevator requirements. Therefore, no lifting, lowering, swinging or traveling shall be done while a person is on the hook or load. Hook attached suspended work platforms (baskets) shall not be used with cranes covered by this standard. Crane manufacturer must approve work platforms attached to the boom.
  - H. The operator should avoid carrying loads over people.
  - I. When the crane is so equipped, the stabilizers shall be fully extended and set. Blocking under stabilizers shall meet the requirements as follows:
    1. Strong enough to prevent crushing.
    2. Of such thickness, width and length as to completely support the stabilizer pad.
  - J. Firm footing under all tires, or individual stabilizer pads should be level. Where such a footing is not otherwise supplied, timbers, cribbing, or other structural members to distribute the load so as to not exceed allowable bearing capacity or the underlying material should provide it.
  - K. In transit, the boom shall be carried in stowed position.
  - L. When rotating the crane, sudden starts and stops shall be avoided. Rotational speed shall be such that the load does not swing out beyond the radius at which it can be controlled.
  - M. The crane shall not be transported with a load on the hook unless recommended by the manufacturer.

## OPERATING PRACTICES/HANDLING THE LOAD

1. Size of load.
  - A. No crane shall be loaded beyond the rated load except for test purposes
  - B. The load to be lifted is to be within the rated load of the crane and its existing configuration.
  - C. When loads that are not accurately known are to be lifted, the person responsible for the job shall ascertain that the weight of the load does not exceed the crane rated load at the radius at which the load is to be lifted.
2. Attaching the load.
  - A. The load shall be attached to the hook by means of slings or other devices of sufficient capacity.
  - B. Hoist rope shall not be wrapped around the load.
3. Moving the load.

The operator shall determine that:

  - A. The crane is level and, where necessary, the vehicle/carrier is blocked properly.
  - B. The load is well secured and balanced in the sling or lifting device before it is lifted more than a few inches.

# QUALIFICATIONS FOR AND CONDUCT OF OPERATORS AND OPERATING PRACTICES

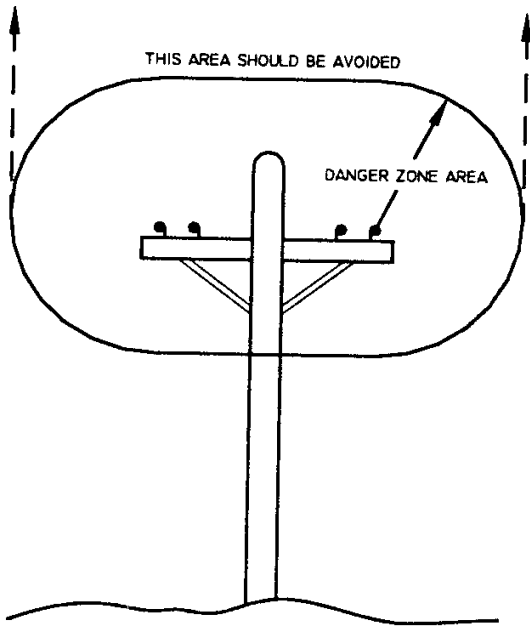
N. No person should be permitted to stand or pass under a suspended load.

**4. Stowing procedure.**

Follow the manufacturer's procedure and sequence when stowing and un-stowing the crane.

**MISCELLANEOUS**

**OPERATING NEAR ELECTRICAL POWER LINES**



**1. Cranes shall be operated so that no part of the crane or load enters into the danger zone shown above.**

**EXCEPTIONS**

- A. The danger zone may be entered after confirmation by an appointed person that the electrical distribution and transmission lines have been de-energized and visibly grounded at the point of work; or
- B. The danger zone may be entered if insulating barriers (not a part of nor an attachment to the crane) have been erected to prevent physical contact with the lines.

**2. For lines rated 50 kV or below, minimum clearance between the lines and any part of the crane or load (including handling appendages) shall be 10-ft. (3m). For higher voltages, see Table 1.**

**3. Caution shall be exercised when working near overhead lines, because they can move horizontally or vertically due to wind, moving the danger zone to new positions.**

**4. In transit with no load and boom lowered the clearance shall be specified in Table 1.**

**5. A qualified signalperson shall be assigned to observe the clearance and give warning before approaching the above limits.**

**A. Any overhead wire shall be considered to be an energized line unless and until the person owning such line or the electrical utility authorities verify that it is not an energized line.**

**B. Exceptions to this procedure are allowed, if approved by the administrative or regulatory authority provided the alternate procedure insures equivalent protection and is set forth in writing.**

**C. Durable signs shall be installed at the operator's station and on the outside of the crane, warning that electrocution or serious bodily injury may occur unless a minimum clearance of 10 ft. (3.0m) between the crane or the load being handled and energized power lines. Greater clearances are required because of higher voltage as stated above. These signs shall be revised but not removed when local jurisdiction requires greater clearances.**

**TABLE 1**

normal voltage, kV (phase to phase)		minimum required clearance	
		ft	(m)
<b>when operating near high voltage power lines</b>			
over	to 50	10	(3.50)
over	50 to 200	15	(4.6)
over	200 to 350	20	(6.1)
over	350 to 500	25	(7.62)
over	500 to 750	35	(10.67)
over	750 to 1000	45	(13.72)
<b>while in transit with no load and boom lowered</b>			
over	to 0.75	4	(1.22)
over	0.75 to 50	6	(1.83)
over	50 to 345	10	(3.83)
over	345 to 750	18	(4.87)
over	750 to 1000	20	(6.1)



# **—-IMPORTANT—-**

## **BEFORE OPERATING CRANE**

1. Make sure this manual has been thoroughly read by all crane operating personnel and supervisors.
2. A routine inspection of the crane should be mandatory before each operating day. Any defects should be corrected immediately.
3. At a job site the vehicle should be positioned so that the crane can adequately reach the load within the rated capacity (centerline of rotation to hoist hook).
4. Keep the vehicle as level as possible during operation. **CANNOT EXCEED 10° SLOPE.**
5. For electric cranes, **engage emergency brake** and leave ignition on with transmission in neutral (or in park for automatic transmissions). Activate any crane power switches. For Auto Crane units requiring battery and hydraulic operation, **engage emergency brake**, place gear selector in neutral, press clutch, activate PTO, release clutch and after hydraulic fluid is warm, set throttle control to proper engine speed.
6. Always use outriggers from the truck to the ground. Be sure these are firm and adequately positioned. When rotating, **keep load as low to the ground as possible.**
7. Remove the transmitter from cab or storage area. Power transmitter on. Detach hook from dead man. Crane is now ready for operation.
8. Always boom up before rotating so the boom will clear the required boom support.
9. When extending the boom, always maintain clearance between the boom crown and the traveling block or hoist hook.
10. Always observe safe and practical operation to avoid possible accidents. Refer to Safety Tips and Precautions.
11. After completing lifting operations, return the boom to stowed position on the boom support. Avoid unneeded pressure on the boom support.
12. Store transmitter in proper location (in cab or storage area).
13. Return outriggers to stowed position. Make sure they are pinned in place or jacklegs are returned to compartment.
14. Check work area for any tools or equipment not stored.
15. Release throttle control, depress clutch and disengage PTO. Deactivate any crane power switches.
16. Report any unusual occurrence during crane operation that may indicate required maintenance or repair.
17. **NEVER** use two cranes to support a load too large for either crane.

## **OPERATION OF OUTRIGGERS**

### **HYDRAULIC OUTRIGGERS**

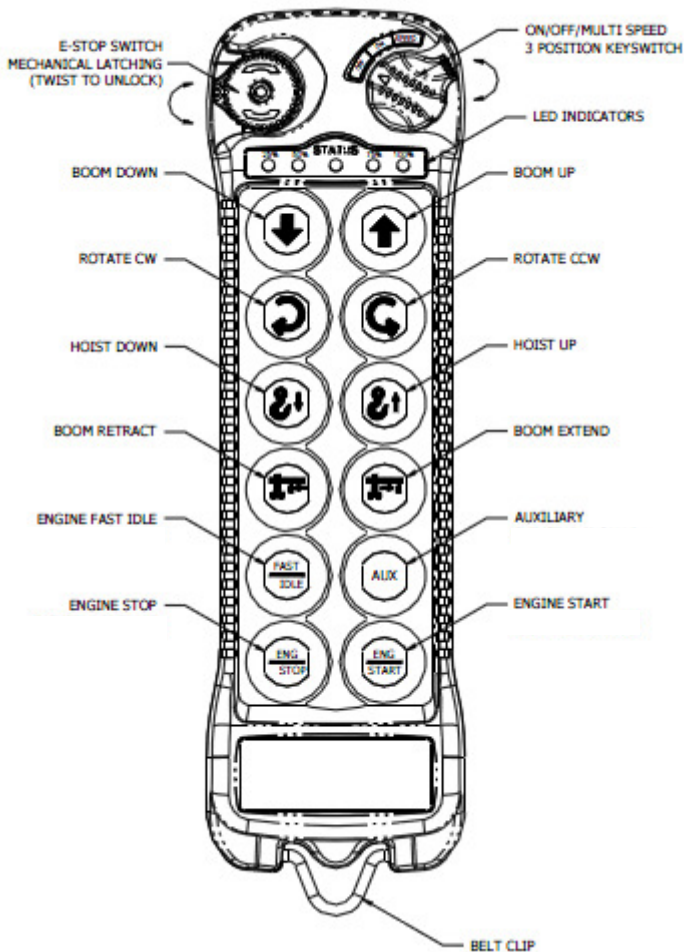
1. Shift crane/outrigger control valve to “outrigger” position.
2. Operate the outrigger control valves to position the outriggers.
3. After outriggers are positioned, return crane/outrigger selector to “crane” position.
4. Crane is now ready to operate.

### **MANUAL OUTRIGGERS**

1. Pull lock pins to release jackleg or drop down outrigger and move to outermost lock position.
2. Make sure lock pins are reinstalled properly.
3. Lower outrigger pad to firm ground and adjust foot to take out slack.
4. Crane is now ready to operate.

# CRANE OPERATION

## TRANSMITTER LAYOUT



**E-stop Switch**—Push to activated, Twist to release. Shuts down all outputs from receiver.

**On/Off/Multispeed**— Detachable key, On, Off, Multispeed, & Start Switch.

**Crane Controls**—Proportional push button. The function speed increases the more the button is pressed. Functions include Boom Up/Down, Rotate CW-CCW, Hoist Up/Down, Boom Extend, Retract.

**Engine Fast-idle** - Activates Fast Idle on Vehicle. (Can be latching or momentary)

**Auxiliary** - Sends a latched signal that activates an auxiliary output to operate an external component i.e. compressor, worklights. (Must use a relay to separate auxiliary crane circuit and external component.)

**Engine Stop** - Sends a momentary signal from crane to shut down vehicle.

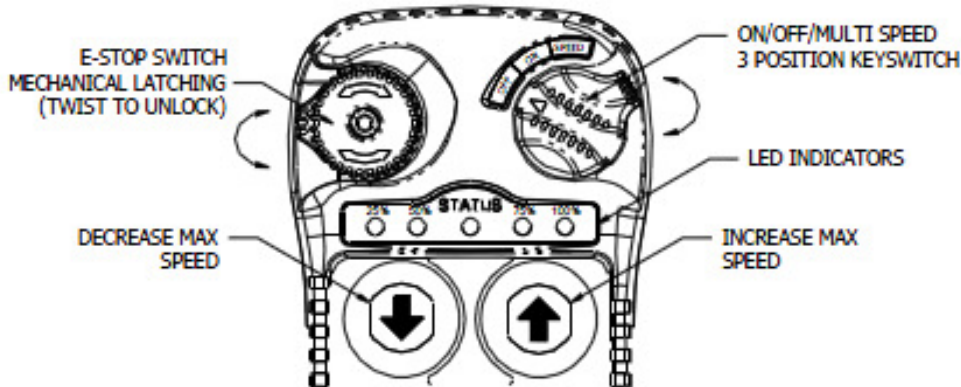
**Engine Start** - Sencs a momentary signal from crane to start vehicle.

**TURNING OFF TRANSMITTER**— Move the On/Off/Multi-speed switch to the “off” position

**TURNING ON TRANSMITTER**— Move the On/Off/Multi-speed switch to the “on” position, then move the On/Off/Multi-speed switch to the “Multi-speed” or “start” position momentarily. The status light should be blinking green when active with no buttons depressed.

**REMOVING KEY**— Move the On/Off/Multi-speed switch to the “off” position, then move the switch counter-clockwise one position past the “off” position. Once the switch is one position past the “off” position then pull out the switch from the transmitter.

# CRANE OPERATION



## ACTIVATING E-STOP

Press the E-stop Switch.

Note:

1. When E-stop is active, the transmitter will remain on but will not operate any functions. This includes truck and crane functions.
2. **Activating E-stop will not turn the truck off.**
3. There will be an Error Code on the receiver stating "E-stop active".

## DEACTIVATING E-STOP

1. Twist to release E-stop.
2. Turn transmitter to the "OFF" position.
3. Once all lights turn off. Turn transmitter to the "ON" position.
4. Turn transmitter to the "START"/"SPEED" position and release

Note:

There is very little height difference in a active and inactive E-stop. To verify E-stop switch is deactivated, twist switch to release.

## WAKING UP TRANSMITTER

Turn the transmitter to the "START"/"SPEED" position and release

Note:

The transmitter goes into sleep mode after 5 minutes of inactivity. All truck functions are still available and will remain in the same state. (i.e. Aux function will remain on even when the unit goes to sleep if it was active before unit went to sleep.)

## SPEED CONTROL

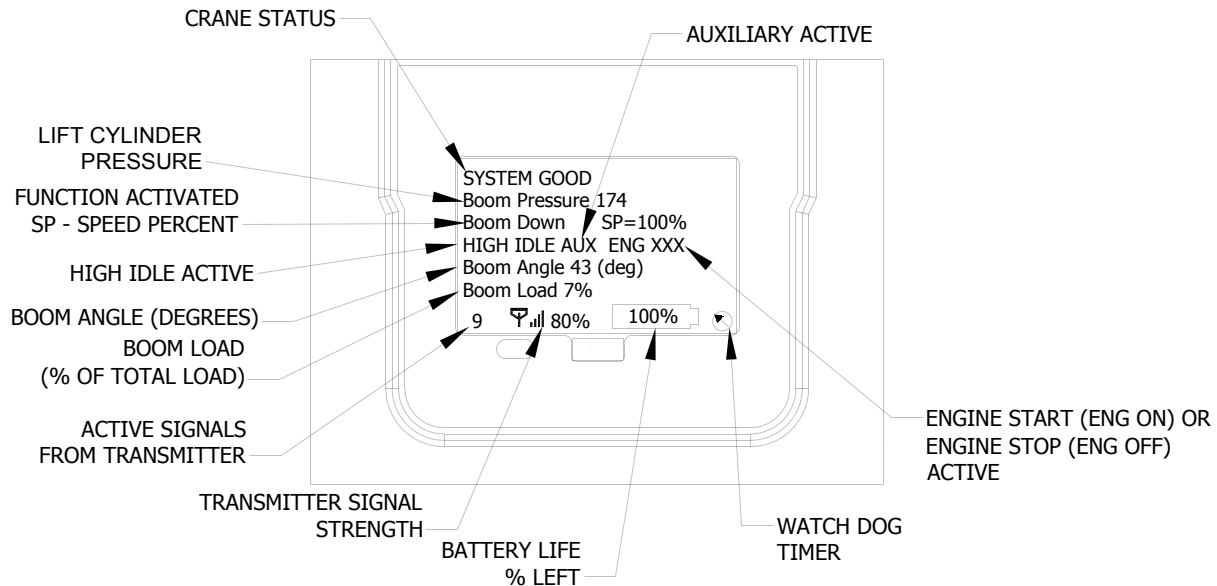
1. Rotate "ON/OFF/SPEED" switch to the "SPEED" position and hold
2. Press the Boom Up switch in increase max speed or press Boom Down button to decrease. Each time the button is actuated, the max speed increases or decreases to the next 25% range.
3. Release "ON/OFF/SPEED" switch once the desired speed is selected.

Note:

1. Slower speed decreases the max speed and gives more finite control of the proportional push button.
2. Faster speed increases the max speed but give less finite control of the load
3. The LED indicators show the current speed setting of the transmitter.

# CRANE OPERATION

## RECEIVER LAYOUT



**CRANE STATUS**—Shows current status of the crane. If any alarms are occurring they will be displayed here. Otherwise, it will say system good. **Note: Reference Troubleshooting section for alarm descriptions.**

**LIFT CYLINDER PRESSURE**—Current pressure in the lift cylinder in PSI

**FUNCTION ACTIVATED SP-SPEED PERCENT**—Current function activated and percent of max speed for that particular function. Note: If multi-functioning, only last function selected will be displayed.

**HIGH IDLE ACTIVE**—Shown only when the high idle function is active.

**BOOM ANGLE (DEGREES)** - Current boom angle in degrees. **Note this value may not match the boom angle decal attached to side of boom since the decal is referenced to the ground not the pedestal.**

**BOOM LOAD**—Current percent of crane capacity used. **Note: Unloaded this value may be higher than 0% due to boom weight beyond the retracted position.**

**ACTIVE SIGNALS FROM TRANSMITTER**—Shows current status of transmitter. 0 means the transmitter is not active. It must be turned on, e-stop deactivated, or taken out of sleep mode. 5-6 means the transmitter is active but no function is currently being selected. Receiver is waiting on a command from the user. 9-10 means the transmitter is sending crane function signals to start operating the crane. The user is sending a command for the crane to operate.

**TRANSMITTER SIGNAL STRENGTH**—Shows the strength of signal coming from transmitter. **Note: approx. distance of transmitter is 300 feet.**

**BATTERY LIFE**—Percent of transmitter battery life remaining

**WATCH DOG TIMER**— Should always be spinning. If timer stops spinning contact your AutoCrane representative

**ENGINE START/STOP**—Shows when the Engine Start or Engine Stop button is being selected. Should only be visible when the corresponding button is being depressed.

**AUXILIARY ACTIVE**— Shows when the auxiliary function is active.

# TRANSMITTER SYNCHRONIZATION INSTRUCTIONS

1. The receiver must be shut off and powered down. The current address tag must be removed from the harness and the LEARN tag (366823955) will need to be put in its place.
2. After the LEARN tag has been put into place and the receiver is powered up, it will begin to search for the proper Channel and Serial Number of the transmitter. **Note: The transmitter must be powered up and the start/speed button must be held in the “speed” position. Make sure the transmitter is blinking the green led in the center. Reference figure 1 below for LCD screen display during this step. Reference figure 2 below for transmitter switch position.**

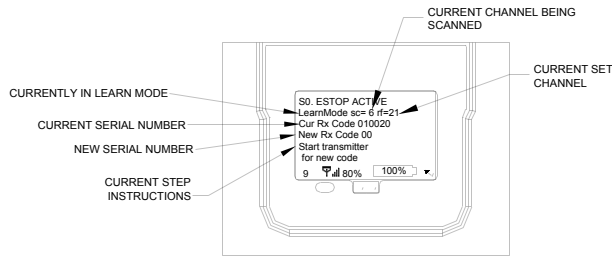


Figure 1—LCD screen display during step 2

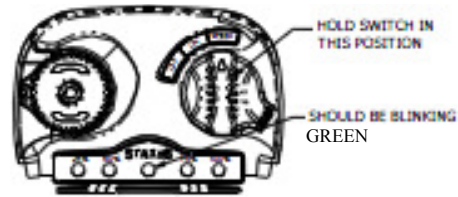


Figure 2—Transmitter Switch Position

3. The receiver will start searching to find the channel and Serial Number. Once the numbers are found, it will display it on the LCD screen and will state “Press <Function> to confirm code”. At this time, release “speed position” and press then release the function shown on the screen. In the example below, press and release the Swing Clockwise function. Reference figures below:

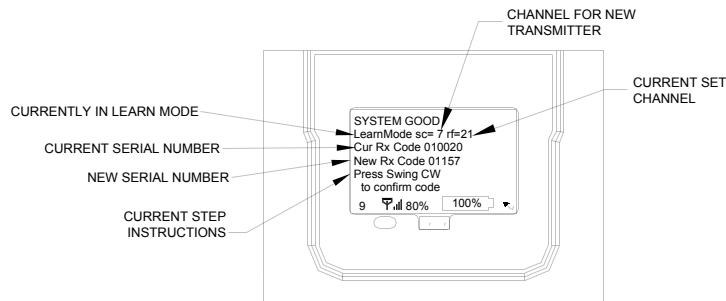
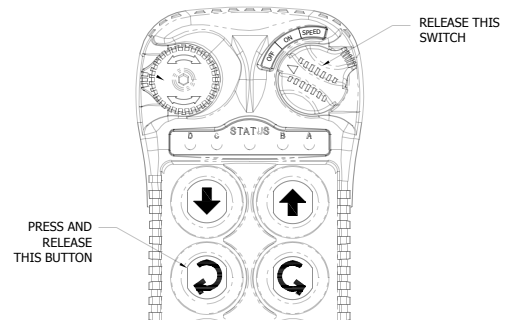


Figure 3—LCD screen display & transmitter during step 3



4. Once the code is confirmed, remove the LEARN tag from the harness. Then power the receiver off (main crane power switch) - reference figure 5

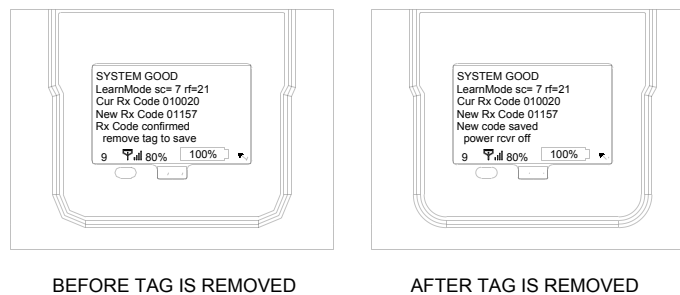


Figure 5—LCD screen display during step 4

5. Re-attach the crane address tag to the harness and power up receiver. Confirm all functions are operational. **Note: If the LEARN tag was not removed before powering down the receiver, the new channel and serial number will not be saved.**

# INSPECTION REQUIREMENTS

## REFERENCE ASME B30.5a AND OSHA 1910.180 FOR COMPLETE INSPECTION REQUIREMENTS

### INSPECTION CLASSIFICATION

1. Initial inspection.  
Prior to initial use, all new, altered, modified or extensively repaired cranes shall be inspected by a designated person to insure compliance with provisions of this standard
1. Regular inspection.  
Inspection procedure for cranes in regular service is divided into two general classifications based upon the intervals at which inspection should be performed. The intervals in turn are dependent upon the nature of the components of the crane and the degree of their exposure to wear, deterioration, or malfunction. The two general classifications are herein designated as "frequent" and "periodic" with respective intervals between inspections as defined below.
  - A. Frequent inspection - daily or before each use
  - B. Periodic inspection - one to twelve-month intervals or as specifically recommended by the manufacturer or qualified person.
6. Inspect for proper rope reeving.
7. Inspect electrical wiring and components for malfunctioning, signs of excessive deterioration, dirt and moisture accumulation.
8. Inspect hydraulic system for proper oil level and leaks.
9. Inspect tires for recommended inflation pressure, cuts and loose wheel nuts.
10. Inspect connecting pins and locking device for wear damage and loose retaining bolts.
11. Inspect rope for gross damage, such as listed below, which may be an immediate hazard.
  - A. Distortion such as kinking, crushing, un-stranding, birdcaging, main strand displacement, or core protrusion. Loss of rope diameter in a short length or unevenness of outer strands should be replaced.
  - B. General corrosion.
  - C. Broken or cut strands.
  - D. Use care when inspecting sections of rapid deterioration around flange points, crossover points, and repetitive pickup points on drums.

**DESIGNATED PERSONNEL SHALL  
PERFORM INSPECTIONS ONLY.**

### FREQUENT INSPECTION

Inspections should also occur during operation for any deficiencies that might appear between regular inspections. Any deficiencies, such as those listed below, shall be carefully examined and a determination made as to whether they constitute a hazard:

1. Inspect control mechanisms for maladjustment that interferes with proper operation.
2. Inspect control mechanisms for excessive wear of components and contamination by lubricants or other foreign matter.
3. Inspect safety devices for malfunction.
4. Visually inspect all hydraulic hoses, particularly those that flex in normal operation of crane functions.
5. Inspect hooks and latches for deformation, chemical damage, cracks, and wear. Refer to ANSI/ASME B30.10.

Inspect number, distribution, and type of visible broken wires. Reference Rope Maintenance section in the owner's manual.

***Continued use of rope depends upon good judgment by a designated person in evaluating remaining strength in a used rope after allowance for deterioration disclosed by inspection. Continued rope operation depends upon this remaining strength.***

### PERIODIC INSPECTION

Any deficiencies, such as those listed below, shall be carefully examined and determination made as to whether they constitute a hazard:

1. Inspect for deformed, cracked or corroded members in the crane structure and entire boom.
2. Inspect for loose bolts, particularly mounting bolts.
3. Inspect for cracked or worn sheaves and drums.
4. Inspect for worn, cracked, or distorted parts such as pins, bearings, shafts, gears, rollers and devices.
5. Inspect for excessive wear on brake and clutch system parts and lining.



# INSPECTION REQUIREMENTS

6. Inspect crane hooks for cracks.
7. Inspect travel steering, braking, and locking devices for malfunction.
8. Inspect for excessively worn or damaged tires.
9. Inspect hydraulic hose, fittings, and tubing for the following problems:
  - A. Evidence of leakage at the surface of the flexible hose or its junction with metal and coupling.
  - B. Blistering, or abnormal deformation to the outer covering of the hydraulic or pneumatic hose.
  - C. Leakage at threaded or clamped joints that cannot be eliminated by normal tightening or recommended procedures.
  - D. Evidence of excessive abrasion or scrubbing on the outer surface of a hose, rigid tube, or fitting. Means shall be taken to eliminate the interference of elements in contact or otherwise protect the components.
10. Inspect hydraulic pumps and motors for the following problems:
  - A. Loose bolts and fasteners.
  - B. Leaks at joints between sections.
  - C. Shaft seal leaks.
  - D. Unusual noises or vibrations.
  - E. Loss of operating speed.
  - F. Excessive heating of the fluid.
  - G. Loss of pressure.
11. Inspect hydraulic valves for the following problems:
  - A. Cracks in valve housing.
  - B. Improper return of spool to neutral position.
  - C. Leaks at spools or joints.
  - D. Sticking spools.
  - E. Failure of relief valves to attain or maintain correct pressure setting.
  - F. Relief valve pressure shall be checked as specified by the manufacturers.
12. Inspect hydraulic cylinders for the following problems:
  - A. Drifting caused by fluid leaking across piston.
  - B. Rod seals leaking.
  - C. Leaks at welded joints.
  - D. Scored, nicked, or dented cylinder rods.
  - E. Damaged case (barrel).
  - F. Loose or deformed rod eyes or connecting joints.
13. Inspect hydraulic filters for evidence of rubber particles on the filter elements indicating possible hose, "O" ring, or other rubber component deterioration. Metal chips or pieces on the filter may denote failure in pumps, motors, or cylinders. Further inspection will be necessary to determine the origin of the problem before corrective action can be taken.
14. Inspect labels to confirm correct location and legibility. Reference decal layout in this manual for proper location of decals.
15. **Rope Inspections need not be at equal calendar intervals and should be more frequent as the rope approaches the end of useful life.** A qualified person shall inspect the wire rope based on such factors as:
  - A. Expected rope life as determined by experience on the particular installation or similar installations.
  - B. Severity of environment.
  - C. Percentage of capacity lifts.
  - D. Frequency rates of operation.
  - E. Exposure to shock loads.This inspection shall cover the entire length of the rope. Only the surface wires need to be inspected and no attempt should be made to open the rope. Any deterioration resulting in appreciable loss of original strength shall be noted and determination made as to whether use of the rope would constitute a hazard. A few notable deterioration points are listed below:
  - A. Reduction of rope diameter below nominal diameter due to loss of core support.
  - B. Internal or external corrosion.
  - C. Wear of outside wires.
  - D. Severely corroded, cracked, bent, worn, or improperly applied connections.

## **CRANES NOT IN REGULAR USE**

A crane, which has been idle for a period of over one month or more, shall be given an inspection conforming to the "initial" and "regular" inspection requirements of this section.

## **INSPECTION RECORDS**

Dated records of periodic inspection should be made on critical items such as brakes, crane hooks, rope, cylinders, and relief pressure valves.

# ***TESTING REQUIREMENTS***

**REFERENCE ASME B30.5a AND OSHA 1910.180 FOR COMPLETE INSPECTION REQUIREMENTS**

**TESTING SHALL BE PERFORMED BY DESIGNATED PERSONNEL ONLY.**

Prior to initial use, all new, altered, modified, or extensively repaired cranes shall be tested for compliance with the operational requirements of this crane.

Test requirements:

1. Test all functions to verify speed and operation.
2. Check that all safety devices are working properly.
3. Confirm operating controls comply with appropriate function labels.
4. Test loads shall not exceed 110% of the manufacturer's load rating.
5. Written reports shall be maintained showing test procedures and confirming the adequacy of repairs



# **GENERAL REPAIRS AND MAINTENANCE**

## **REFERENCE ASME B30.5a AND OSHA 1910.180 FOR COMPLETE MAINTENANCE AND REPAIR REQUIREMENTS**

A preventative maintenance program should be established based on this section and all replacement parts should be obtained from AutoCrane Company. **For replacement parts contact your local authorized distributor.**

### **MAINTENANCE PRECAUTIONS**

1. Place crane where it will cause the least interference with other equipment or operations.
2. Verify all controls are in the "off" position and all operating features secured from inadvertent motion by brakes, pawls, or other means.
3. The means for starting the crane shall be rendered inoperative.
4. The boom should be secured in place before maintenance.
5. Relieve hydraulic oil pressure from all hydraulic circuits before loosening or removing hydraulic components.
6. Warning or "OUT OF ORDER" signs shall be placed on all crane controls.
7. After adjustments and repairs have been made, the crane shall not be returned to service until all guards have been reinstalled, trapped air removed from hydraulic system (if required), safety devices reactivated, and maintenance equipment removed.

### **ADJUSTMENTS AND REPAIRS**

1. Any hazardous conditions disclosed by the inspection requirements shall be corrected before operation of crane is resumed. Only designated personnel shall do adjustments and repairs.
2. Adjustments shall be maintained to assure correct functioning of components, the following are examples:
  - A. Functional operating mechanism.
  - B. Safety devices.
  - C. Control systems.
3. Repairs or replacements shall be provided as needed for operation, the following are examples:
  - A. Critical parts of functional operating mechanisms which are cracked, broken, corroded, bent, or excessively worn.
  - B. Critical parts of the crane structure which are cracked, bent, broken, or excessively corroded.
  - C. Crane hooks showing cracks, damage, or corrosion shall be taken out of service. Repairs by welding are not recommended.

4. If bleeding the hydraulic system is required, run each crane function until smooth operation of that particular function is noticeable.

### **LUBRICATION**

All moving parts of the crane, for which lubrication is specified, should be regularly lubricated per the manufacturer's recommendations and procedures. **Reference Lubrication and Maintenance Schedule in this manual.**

### **ROPE REPLACEMENT**

**No precise rules can be given for determination of the exact time for replacement of rope, since many variable factors are involved.**

1. Conditions such as the following shall be reason for questioning continued use of the rope or increasing the frequency of inspection:
  - A. In running ropes, six randomly distributed broken wires in one lay or three broken wires in one strand in one lay.
  - B. One outer wire broken at the contact point with the core of the rope structure and protrudes or loops out of the rope structure. Additional inspection of this section is required.
  - C. Wear of one third of the original diameter of the outside individual wire.
  - D. Kinking, crushing, bird caging, or any other damage resulting in distortion of the rope structure.
  - E. Evidence of any heat damage from any cause.
  - F. Reduction from nominal diameter of more than 1/64 in. (0.4mm) for diameters up to and including 5/16 in. (8 mm), 1/32 in. (0.8 mm) for diameter 3/8 in. (9.5 mm) to and including 1/2 in. (13 mm), 3/64 in. (1.2 mm) for diameter 9/16 in. (14.5 mm) to and including 3/4 in. (19 mm), 1/16 in. (1.6 mm) for diameter 7/8 in. (22 mm) to and including 11/8 in. (29 mm), 3/32 in. (2.4 mm) for diameters 11/4 in. (32 mm) to and including 11/2 in. (38 mm).
  - G. In standing ropes, more than two broken wires in one lay in sections beyond end connections or more than one broken wire at an end connection.

# **GENERAL REPAIRS AND MAINTENANCE**

2. Replacement rope shall have a strength rating at least as great as the original rope furnished or recommended by AutoCrane. A rope manufacturer, AutoCrane, or a qualified person shall specify any deviation from the original size, grade, or construction.

## **ROPE MAINTENANCE**

1. Rope should be stored to prevent damage or deterioration.
2. Unreeling or uncoiling of rope shall be done as recommended by the rope manufacturer and with care to avoid kinking or inducing twist.
3. Before cutting a rope, seizing shall be placed on each side of the place where the rope is to be cut to prevent unlaying of the strands. On pre-formed rope, one seizing on each side of the cut is required. On non-preformed ropes of 7/8 in. (22 mm) diameter or smaller, two seizings on each side of the cut are required, and for non-preformed rope 1 in. (25 mm) diameter or larger, three seizings on each side of the cut are required.
4. During installation care should be exercised to avoid dragging of the rope in the dirt or around objects that will scrape, nick crush or induce sharp bends in it.
5. Rope should be maintained in a well-lubricated condition. It is important that lubricant applied as a part of a maintenance program shall be compatible with the original lubricant and to this end the rope manufacturer should be consulted. Lubricant applied shall be the type that does not hinder visual inspection. Those sections of rope that are located over sheaves or otherwise hidden during inspection and maintenance procedures require special attention when lubricating rope. The object of rope lubrication is to reduce internal friction and to prevent corrosion.
6. When an operating rope shows greater wear or well-defined localized areas than on the remainder of the rope, rope life can be extended in some cases by shifting the wear to different areas of the rope.

# MAINTENANCE OF BATTERIES

Maintenance of Auto Crane unit batteries differs very little from the generally prescribed maintenance of any lead acid battery. All batteries must be kept properly charged, properly filled with water, and relatively clean.

## Keep Properly Charged

Many things affect the proper charge to a battery, such as:

1. Regulator settings.
2. Proper tightness of belts on the alternator or generator.
3. Good, clean connections of all cables and wires at the following places:
  - a. Battery.
  - b. Regulator.
  - c. Starting motor.
  - d. Alternator or generator.
  - e. Ground connections (most important).

It is of extreme importance to keep the battery as fully charged as possible without overcharging, especially when vehicles are left outside for extended periods in extremely cold climates. A battery can freeze. Freezing points for various specific gravities of acid are as follows:

Specific Gravity (Corrected to 80°F)	Freezing Temp. Degrees F.
1.280	-90°F
1.250	-62°F
1.200	-16°F
1.150	5°F
1.100	19°F

As shown, a half-charged battery (about 1.100 specific gravity) cannot stand for any length of time at 20°F or it will freeze.

The main reason for keeping the battery as fully charged as possible without over-charging is to insure that power is available even though the vehicle has been standing for some time.

## Keep Properly Filled with Water

The battery should *always* be properly filled with water. If the electrolyte level is allowed to fall below the top of the plates, the results become threefold:

1. The exposed portion of the plate will become sulfated.

2. The portion of the plate exposed is not usable.
3. That portion of the acid remaining becomes more concentrated and may cause more rapid deterioration of the remaining parts of the battery.

## Keep A Relatively Clean Battery

The battery should be kept clean. Batteries filled with acid and which are not in use self-discharge to a limited degree because of the nature of the materials within the battery. If dirt is allowed to collect on the top of the battery (and this dirt absorbs moisture) and electrical path can be set up between the various terminals of the battery and the ground. Once such a path has been established, the self-discharge of the battery is accelerated. This also accelerates corrosion of the battery cables at the terminals.

## Periodic Maintenance is Needed

A definite program of periodic maintenance of all batteries should be conducted on a regular basis. Periodic maintenance includes:

1. Checking belts for tightness on the charging equipment.
2. Checking battery electrolyte levels.
3. Checking cables for good connections.
4. Cleaning where corrosion is apparent.

When corrosion is cleaned off, the cable terminals and battery terminals should be coated with a light coating of petroleum jelly before they are replaced. When terminals are cleaned, the top of the battery should be cleaned with a mild solution of soda water.

## Low Maintenance Batteries (Maintenance Free)

**Low maintenance batteries should not be used on AutoCrane Cranes or trucks equipped with Auto-Crane Cranes. The batteries are not designed for "deep" discharge.**

## Testing Your Battery

If the condition of the battery is in question, it should be removed from the vehicle, taken to the shop, and allowed to reach room temperature. It should then be recharged until specific gravity readings taken at one-half hour intervals. If the specific gravity readings are fairly uniform, the battery should be checked with a high rate tester. Use the tester in accordance with the manufacturer's instructions. The high rate tester is the best method to test a questionable battery.

# **MAINTENANCE OF BATTERIES**

If, after charging, it is noted that the specific gravity reading of one cell is 30 points less than any of the other cells, it may be assumed that the cell is bad and that the battery should be replaced. If all cells are uniform but not up to full charge, a low rate of charge should be attempted for an extended time. This usually will recover a badly sulfated battery.

## **Replacing a Battery**

If it is necessary to replace a battery, and a dry charge battery is used, the following procedure applies:

1. Fill the battery with electrolyte of the proper specific gravity.
2. Replacement rope shall have a strength rating at least as great as the original rope furnished or recommended by AutoCrane. A rope manufacturer, AutoCrane, or a qualified person shall specify any deviation from the original size, grade, or construction.

## **ROPE MAINTENANCE**

1. Rope should be stored to prevent damage or deterioration.
2. Unreeling or uncoiling of rope shall be done as recommended by the rope manufacturer and with care to avoid kinking or inducing twist.
3. Before cutting a rope, seizing shall be placed on each side of the place where the rope is to be cut to prevent unlaying of the strands. On pre-formed rope, one seizing on each side of the cut is required. On non-preformed ropes of 7/8 in. (22 mm) diameter or smaller, two seizings on each side of the cut are required, and for non-preformed rope 1 in. (25 mm) diameter or larger, three seizings on each side of the cut are required.

2. Place the battery on charge according to the manufacturer's instructions.

It is essential that the second step above be followed to ensure that the battery going on the vehicle is fully charged.

It is also very important that the battery hold-downs be checked periodically to insure that the batteries are properly positioned to avoid vibration problems, breakage of cables or terminals. Care must be taken to avoid cracking or breaking containers or covers by tightening hold-down fixtures excessively. They also must not be so loose that breakage results from a hold-down that is too loose.

4. During installation care should be exercised to avoid dragging of the rope in the dirt or around objects that will scrape, nick crush or induce sharp bends in it.
5. Rope should be maintained in a well-lubricated condition. It is important that lubricant applied as a part of a maintenance program shall be compatible with the original lubricant and to this end the rope manufacturer should be consulted. Lubricant applied shall be the type that does not hinder visual inspection. Those sections of rope that are located over sheaves or otherwise hidden during inspection and maintenance procedures require special attention when lubricating rope. The object of rope lubrication is to reduce internal friction and to prevent corrosion.
6. When an operating rope shows greater wear or well-defined localized areas than on the remainder of the rope, rope life can be extended in some cases by shifting the wear to different areas of the rope.

## HC-7

# LUBRICATION & MAINTENANCE SCHEDULE

SERVICE PERFORMED	DAY	WKLY	3 MOS	6 MOS	YEAR	NOTES
LOAD HOOK	X					INSPECT HOOK & LATCH FOR DEFORMATION, CRACKS, & CORROSION
CABLE DRUM	X					MAKE SURE CABLE IS WOUND EVENLY ON DRUM
HOIST / BOOM CABLE	X					CHECK FOR FLATTENING, KINKS, & BROKEN STRANDS, SEE MANUAL
HYD. HOSES	X					VISUAL INSPECTION
HYD. FLUID	X					CHECK FLUID LEVEL
PIN RETAINING BOLTS	X					CHECK TORQUE TO 23 FT-LBS (GRADE 5), 35 FT-LBS (GRADE 8) AS REQUIRED
MOUNTING BOLTS		X				CHECK TORQUE TO 501 FT-LBS AS REQUIRED
ROTATION RING GEAR		X				LUBE WITH MOBILETAC LL, OR LUBRIPLATE P/N 15263, OR EQUAL
SHEAVE BEARINGS		X				SEALED BEARING, REPLACE IF ROUGH OR LOOSE
ALL OTHER BOLTS		X				CHECK TIGHTEN AS REQUIRED
LIFT CYLINDER BEARINGS			X			GREASE WITH MOBILEPLEX EP-2 OR EQUIVALENT @ ZERKS
ROTATION BEARING			X			GREASE WITH MOBILEPLEX EP-2 OR EQUIVALENT @ ZERKS
ROTATION BEARING BOLTS			X			CHECK TORQUE TO 180 FT-LBS AS REQUIRED
ROTATION GEAR BOX			X			CHECK TORQUE TO 90 FT-LBS (SOCKET HEAD) AND 55 FT-LBS (HEX HEAD) AS REQUIRED
ROTATION GEAR BOX				X		EP GEAR LUBE SAE 80-90
HYDRAULIC FLUID					X	DRAIN, FLUSH, AND REFILL WITH MOBILE DTE 13 OIL OR EQUAL
BOOM SLIDE PADS	PADS GREASED WHEN REPLACED					
FOR ADDITIONAL INFORMATION SEE:	1) OWNER'S MANUAL 2) OSHA SECTION 1910.180 3) ANSI B30.5-1989					

**CAUTION:** Routine maintenance insures trouble-free operation and protects your investment. All warranties are void if maintenance is neglected.

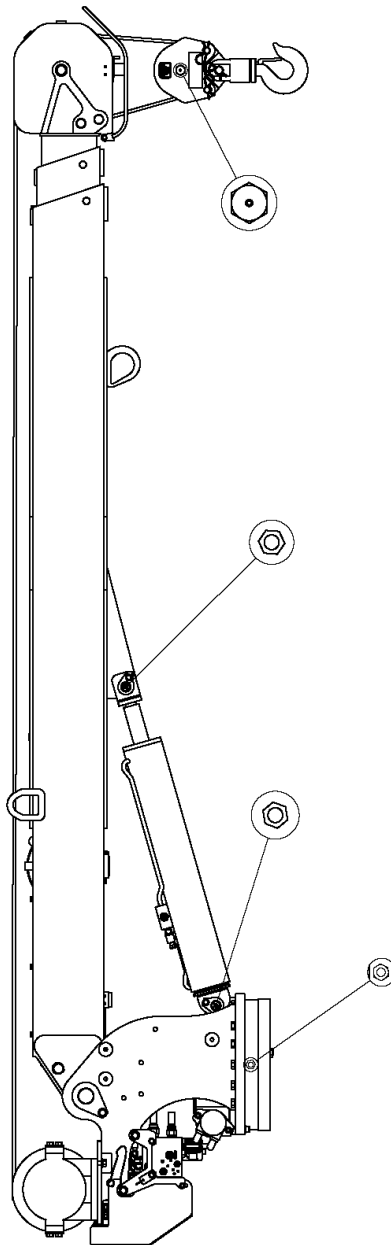
# HC-7

## LUBRICATION & MAINTENANCE SCHEDULE

### NOTES:

1. Use only authorized parts. Any damage or malfunction caused by the use of unauthorized parts is not covered by Warranty or Product Liability.
2. Once a bolt has been torqued to its rated capacity and then removed; the bolt should be replaced with a new one.
3. Auto Crane Company recommends that this crane be serviced per "Crane Inspection Log" P/N 999978. These logs should be filled in at the intervals noted and kept as a permanent record. Additional copies are available from your local distributor.

### LUBE POINTS



# HC-7

## ROTATION BEARING REPLACEMENT GUIDELINES

All bearings can wear over time. This includes the main rotation bearing on the crane. No precise rules can be given for replacement of the rotation bearing, since many factors are involved. However, there are common symptoms seen during crane operation that may be caused by rotation bearing wear. These symptoms include:

1. Excessive Noise
2. Rough rotation
3. Increased drive power required to rotate.
4. Metal particles in grease

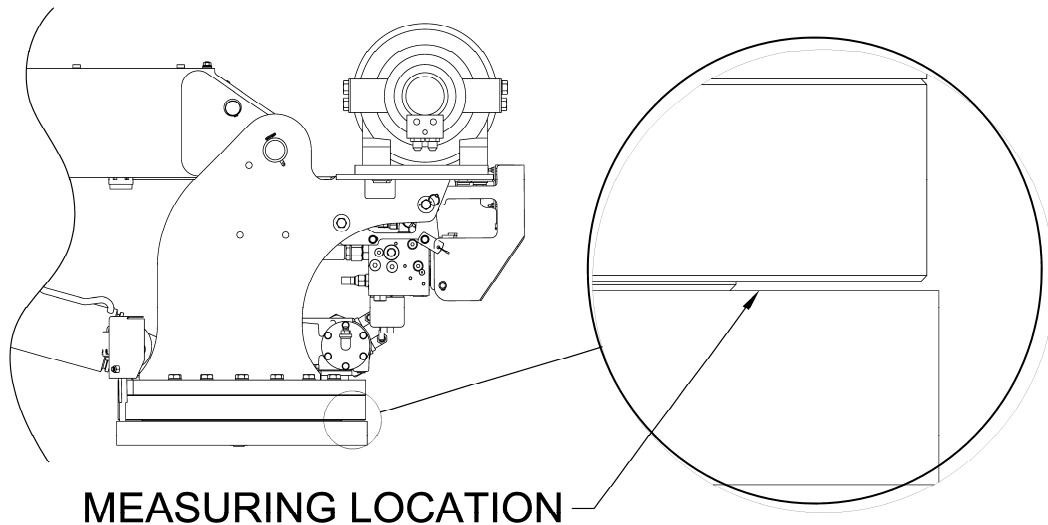
### **REASONS FOR ROTATION BEARING REPLACEMENT**

1. Any noticeable cracking in the bearing housing
2. Damage to internal teeth
3. Excessive axial play (reference axial play check instructions below)

**WARNING—NEVER TRY TO REPAIR A ROTATION BEARING. FOR A REPLACEMENT BEARING CONTACT YOUR LOCAL AUTHORIZED DISTRIBUTOR.**

### **AXIAL PLAY ALLOWANCE CHECK PROCEDURE**

1. Boom up to the max boom angle and measure the clearance between base plate and rotation bearing with a dial or filler gauge. Reference figure 1 for location.
2. Boom down to the horizontal position and measure the clearance between the base plate and the rotation bearing with a dial indicator or feeler gauge. Reference figure 1 for location.
3. If the difference between the two measurements exceeds 1/16 inch, replace bearing.
4. Rotate crane 45 degrees then repeat steps above until you reach 360 degrees of rotation.



**Rotation bearing replacement kit part number is 480023010**



# HC-7

## SAFETY DECAL SECTION

PART NO.:	040579000
DECAL:	OPERATING INSTRUCTIONS
FUNCTION:	To inform the operator of the proper procedure to follow for safe operation of the crane.
USED ON:	All Cranes
QUANTITY:	1
PLACEMENT:	Left side Plate

**CAUTION**

1. INSPECT VEHICLE AND CRANE INCLUDING OPERATION, PRIOR TO USE DAILY.
2. DO NOT USE THIS EQUIPMENT EXCEPT ON SOLID, LEVEL SURFACE WITH OUTRIGGERS PROPERLY EXTENDED AND CRANE MOUNTED ON FACTORY-RECOMMENDED TRUCK.
3. BEFORE OPERATING THE CRANE, REFER TO MAXIMUM LOAD (CAPACITY) CHART ON CRANE FOR OPERATING (LOAD) LIMITATIONS.
4. OPERATE ALL CONTROLS SLOWLY AND SMOOTHLY.
5. KEEP LOAD UNDER BOOM TIP. DO NOT SIDE LOAD BOOM OR DRAG LOADS. AVOID FREE SWINGING LOADS.
6. DO NOT OPERATE, WALK OR STAND BENEATH BOOM OR A SUSPENDED LOAD.
7. KEEP AT LEAST 5 WRAPS OF LOADLINE ON HOIST DRUM.
8. FOR TRAVELING, BOOM AND OUTRIGGERS MUST BE IN THE STOWED POSITION.
9. ALL REMOVABLE PENDANTS MUST BE STORED IN CAB OR TOOL COMPARTMENT WHEN CRANE IS NOT IN USE.

P/N 040579

PART NO.:	040580000
DECAL:	OPERATING TRAINING
FUNCTION:	To inform the operator of the need to receive proper training before using the crane.
USED ON:	All Cranes
QUANTITY:	1
PLACEMENT:	Right side plate

**DANGER**

AN UNTRAINED OPERATOR  
SUBJECTS HIMSELF AND  
OTHERS TO

**DEATH OR SERIOUS INJURY**

- 1.) YOU MUST HAVE BEEN TRAINED IN THE OPERATION OF THIS CRANE, AND
- 2.) YOU MUST KNOW AND FOLLOW THE SAFETY AND OPERATING RECOMMENDATIONS CONTAINED IN THE MANUFACTURER'S MANUAL, YOUR EMPLOYER'S WORK RULES AND APPLICABLE GOVERNMENT REGULATIONS.

P/N 040580

PART NO.:	040632000
DECAL:	TAMPERING WITH OVERLOAD DEVICE
FUNCTION:	To inform the operator that tampering with the overload device may cause a unit failure or possible personal injury.
USED ON:	All Cranes equipped with a load sensor
QUANTITY:	1
PLACEMENT:	Right side Plate

**WARNING**

TAMPERING WITH OVERLOAD DEVICE VOIDS WARRANTY. OVERLOADED CRANE MAY HYDRAULICALLY RELEASE AND LET LOAD DOWN TO GROUND.

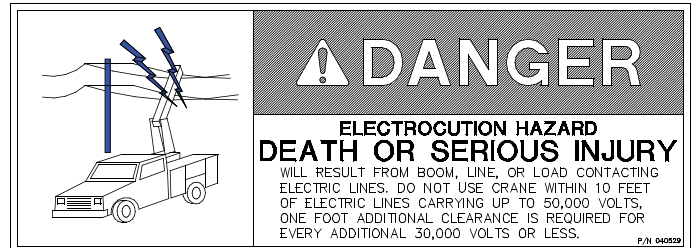
OVERLOAD PROTECTION DEVICE CANNOT FUNCTION WITH BOOM BELOW HORIZONTAL (0°). HOIST UP, BOOM DOWN, AND EXTEND OUT WILL BE INOPERATIVE WHEN CRANE IS IN OVERLOAD CONDITION.

P/N 040632

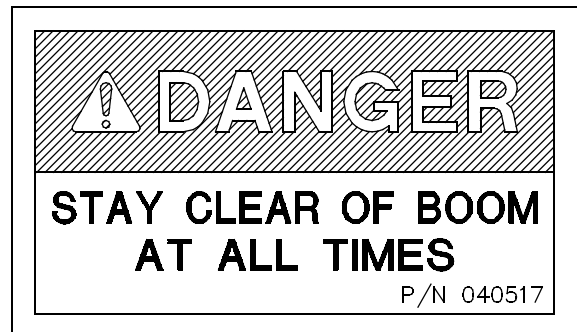


# HC-7 SAFETY DECAL SECTION

PART NO.:	040529000
DECAL:	ELECTROCUTION HAZARD
FUNCTION:	To inform the operator of the hazard involved with contacting electrical power lines with crane boom.
USED ON:	All Cranes
QUANTITY:	2
PLACEMENT:	Both sides of end of lower boom



PART NO.:	040517000
DECAL:	STAY CLEAR OF BOOM
FUNCTION:	To inform the operator of the hazard of proximity or contact with the crane boom during operation.
USED ON:	All Cranes
QUANTITY:	2
PLACEMENT:	Both sides of crown



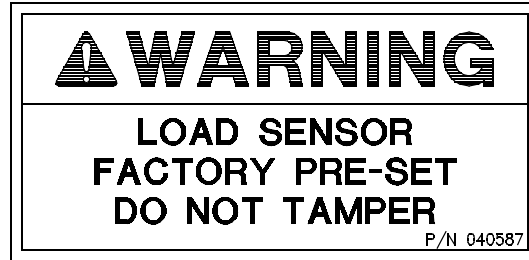
PART NO.:	040518000
DECAL:	STAY CLEAR OF LOAD
FUNCTION:	To inform the operator of the hazard of proximity or contact with the crane load during operation.
USED ON:	All Cranes
QUANTITY:	2
PLACEMENT:	Both sides of traveling block



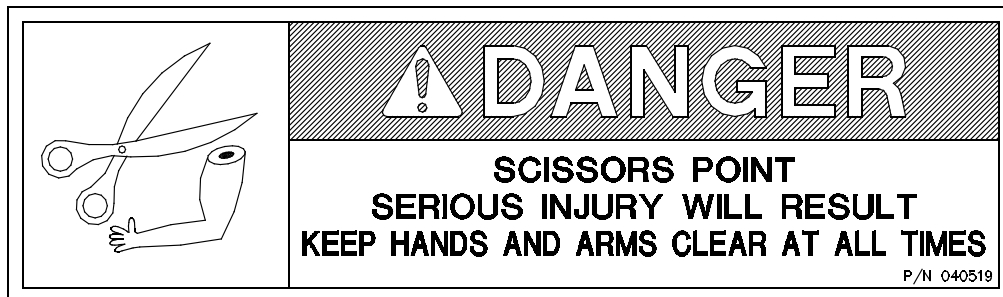
# HC-7

## SAFETY DECAL SECTION

<b>PART NO:</b>	040587000
<b>DECAL</b>	LOAD SENSOR, DON'T TAMPER
<b>FUNCTION:</b>	To inform the operator that the load sensor is pre-set and that tampering with the sensor may cause potentially hazardous situation.
<b>USED ON:</b>	All cranes equipped with load sensor.
<b>QUANTITY</b>	1
<b>PLACEMENT:</b>	Left side of lift cylinder near the load sensor.



<b>PART NO.:</b>	040519000	<b>USED ON:</b>	All cranes.
<b>DECAL:</b>	SCISSORS POINT	<b>QUANTITY:</b>	2
<b>FUNCTION:</b>	To inform the operator of possible danger at scissors point on crane.	<b>PLACEMENT:</b>	Both sides of the lift cylinder



# HC-7

## SAFETY DECAL SECTION

PART NO.	460169000	USED ON:	All Cranes equipped with FM controls
DECAL:	REMOTE CONTROL	QUANTITY:	1
FUNCTION:	To inform the operator of failure to follow the safety precautions may result in equipment failure or serious personal injury.	PLACEMENT:	LEFT SIDE PLATE



## WARNING

### REMOTE CONTROL SAFETY PRECAUTIONS

READ THE OPERATOR'S MANUAL before using the Remote Control System. Failure to follow the safety precautions may result in equipment failure or serious personal injury.

MAKE SURE MACHINERY AND SUROUNDING AREA IS CLEAR BEFORE OPERATING REMOTE CONTROL SYSTEM. Do not activate the Remote Control System unless it is safe to do so.

TURN OFF THE RECEIVER POWER BEFORE WORKING ON THE MACHINE. Always disconnect the Remote Control System before doing any maintenance to prevent accidental operation of the machine.

DO NOT MODIFY EQUIPMENT WITHOUT WRITTEN APPROVAL FROM THE MANUFACTURER.

### CARE

KEEP DRY. Do not clean the Transmitter / Receiver under high pressure. If water or other liquids get inside the Transmitter battery or Receiver compartment, immediately dry the unit. Remove the case and let the unit air dry.

Clean the unit after operation using a damp cloth to remove any mud, dirt, concrete, etc. from the unit and prevent clogging of buttons, switches, etc.

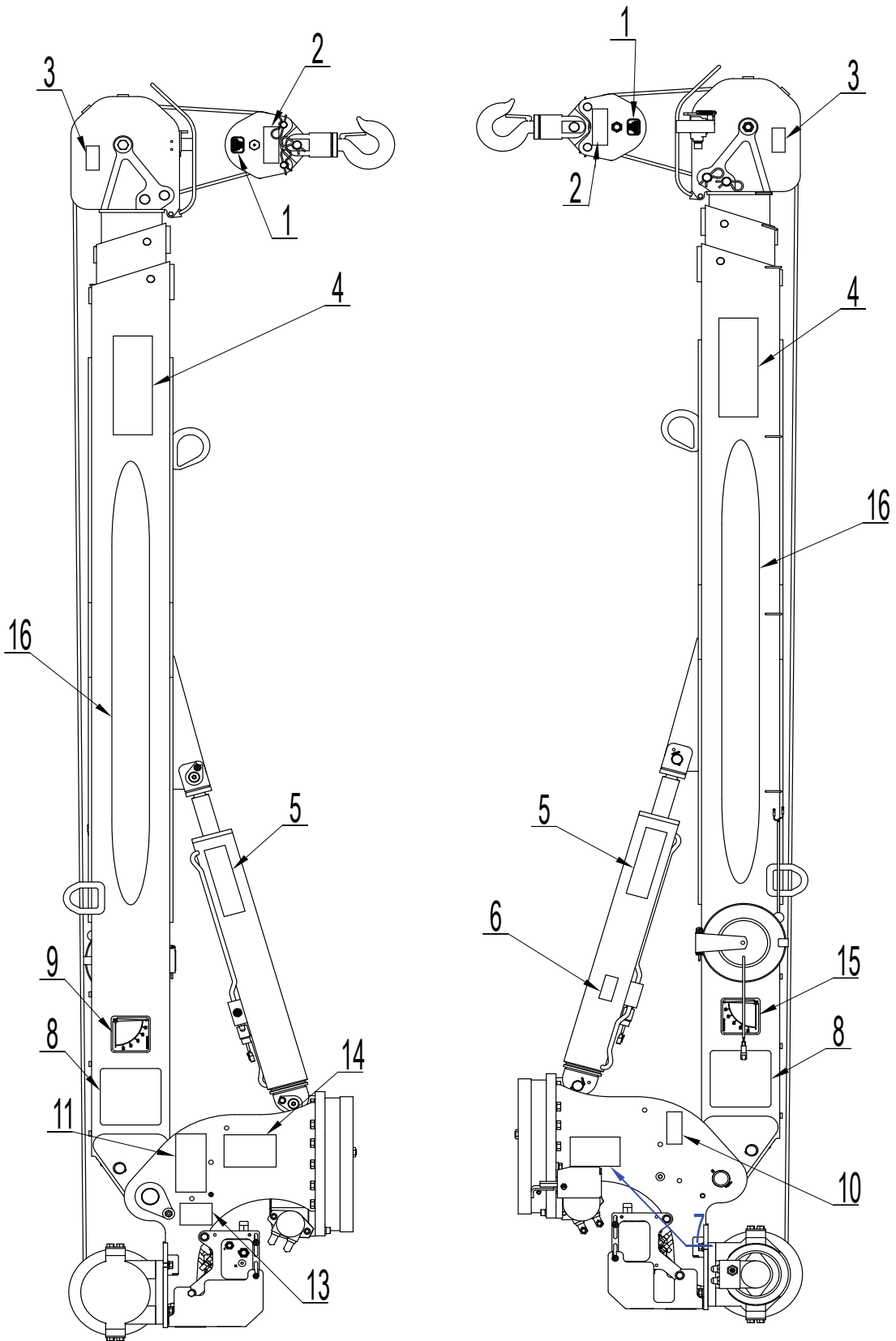
### MAINTENANCE / WELDING

DISCONNECT THE RECEIVER BEFORE WELDING ON THIS MACHINE. Failure to disconnect will result in the destruction of the Receiver.

460169000 A

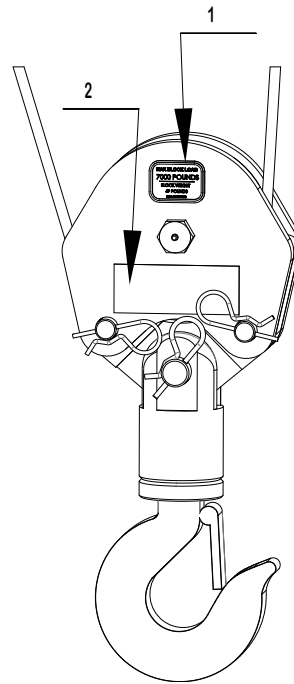
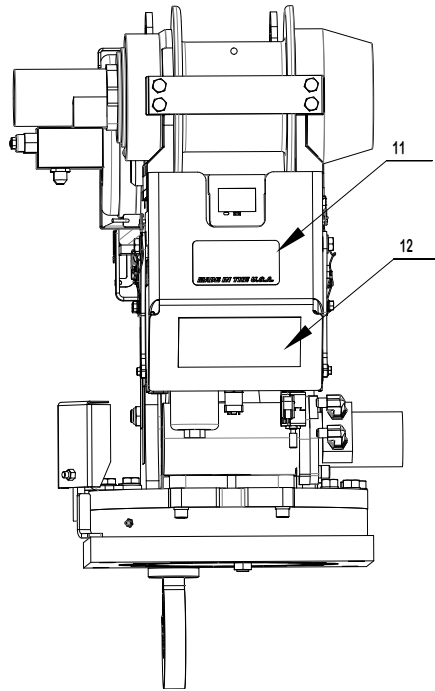
# HC-7 DECAL LAYOUT

P/N: 477823350



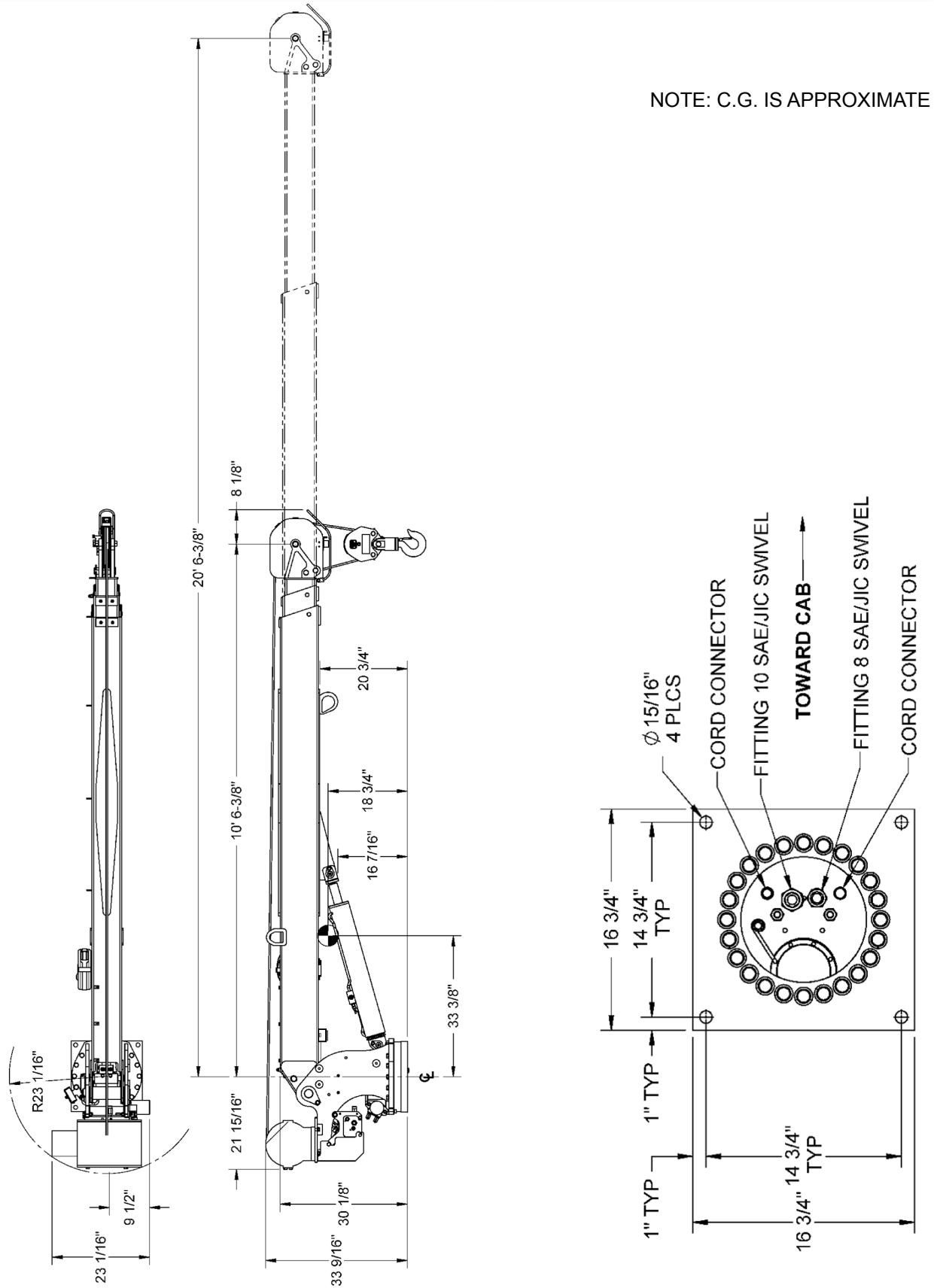
# HC-7 DECAL LAYOUT

P/N: 477823350



ITEM NO.	QTY.	PART NO.	DESCRIPTION
1	2	477399000	DECAL, MAX BLOCK LOAD HC-7
2	2	040518000	DECAL STAY CLEAR OF LOAD
3	2	040517000	DECAL STAY CLEAR OF BOOM
4	2	040529000	DECAL DANGER "ELECTROCUTION HAZARD" POWER LINE
5	2	040519000	DECAL DANGER SCISSOR POINT
6	1	040587000	DECAL WARNING LOAD SENSOR
7	1	040579000	DECAL OPERATION INSTRUCTIONS
8	2	477823000	DECAL, LOAD CHART HC-7, FM, NEXSTAR II
9	1	320318001	DECAL ANGLE INDICATOR SS
10	1	330622000	DECAL SERIAL NO
11	2	360034000	DECAL AUTO CRANE LOGO
12	1	040824000	DECAL, AMERICAN FLAG, MADE IN THE U.S.A.
13	1	040632000	DECAL WARNING - OVERLOAD
14	1	040580000	DECAL TRAINED OPERATOR
15	1	320318000	DECAL ANGLE INDICATOR CS
16	2	477624100	DECAL, BOOM, HC-7, HW

# HC-7 GENERAL DIMENSIONS



NOTE: C.G. IS APPROXIMATE

# HC-7

## MOUNTING AND INSTALLATION

1. Check to make sure the following items are with your crane. Please note the different, model specific, quantities.

ITEM NO.	QTY.	PART NO.	DESCRIPTION
1	4	015100000	7/8-14 X 4 HH GR 8
2	4	022200000	WASHER SP LK 7/8
3	4	018900000	NUT HX 7/8 NF8P GR8
4	1	480689000	FUSE 15 AMP TIME-DELAY
5	1	480688000	FUSE HOLDER IN-LINE WATERPROOF
6	120 in	800596000	WIRE 16G 600V 1C YEL
7	6	634401000	WIRE TIE 7 INCHES LONG
8	6	750738000	WIRE TIE STICK ON RETAINER
9	5	320357000	CONNECTOR FEM POWER
10	1	340638000	CONDUCTOR POWER
11	1	320355000	POWER PLAY
12	1	320363000	PLUG RELAY
13	1	477823014	MANUAL, HC-7, HW
14	1	477823000	DECAL, LOAD CHART, HC-7, FM, NEXSTAR II
15*	1	366520002	JUNCTION BOX ASS'Y WITH UNLOAD VALVE
16*	1	366466000	WIRE HARNESS, TRUCK FUNCTIONS
17	1	680040000	PENDANT ASSY BAYONET 8 FUN PRO.
*ITEMS NOT SHOWN REFERENCE ONLY			

2. Pressure and return hoses are not furnished with this crane. The hoses must be provided by the installer and the lengths determined at installation.

**REQUIREMENTS FOR INSTALLATION USING 23 GALLON RESERVOIR(\*)**

- A. RETURN LINE** FROM CRANE TO RESERVOIR (IN COMPARTMENT): -10 SAE 100R2 (OR EQUIVALENT). HOSE LENGTH IS DETERMINED BY INSTALLER. RETURN LINES LONGER THAN 6 FEET SHOULD BE SIZE -12. HOSE END FITTINGS ARE -10 JIC FEMALE SWIVEL (CRANE END) AND -10 JIC FEMALE SWIVEL (RESERVOIR END).
- B. PRESSURE LINE** FROM PUMP TO CRANE: -8 SAE 100R12 (OR EQUIVALENT) WITH A **3,000 PSI MINIMUM WORKING PRESSURE**. HOSE LENGTHS IS DETERMINED BY INSTALLER. HOSE END FITTINGS ARE BOTH -8 JIC FEMALE SWIVEL..

\*NOTE:23 GAL RESERVOIR IS MINIMUM REQUIREMENT FOR CRANE ONLY. THE ADDITION OF OTHER AUXILIARY EQUIPMENT WEILL REQUIRE ADDITIONAL CAPACITY.

**CAUTION**—FAILURE TO USE CLEAN HYDRAULIC HOSES AND COMPONENTS MAY CONTAMINATE THE CRANE AND HYDRAULIC SYSTEM AND VOID WARRANTY.

3. Crane must be provided with a flow of 8 to 12 gallons per minute and a pressure of 2750 PSI. Excess flow will cause erratic operation, and too little flow will cause poor crane operation.  
**CAUTION— HYDRAULIC RESERVOIR OIL TEMPERATURE MUST NOT EXCEED 180°F OR CRANE PERFORMANCE MAY BE ADVERSELY AFFECTED.**
4. Vehicle should meet minimum GVW rating of 14,500 pounds.
5. The vehicle MUST be equipped with an engine speed control and tachometer.
6. Make sure mounting surface is properly reinforced to withstand 38,000 ft-lb capacity loading of crane and that outriggers are used to provide total stability for the truck.

# **HC-7**

## **MOUNTING AND INSTALLATION**

7. A 13 1/2" diameter hole should be cut out of mounting location (centered with mounting bolts) for access to hydraulic connections.
8. Make sure the mounting bolts are 7/8" dia, grade 8-UNF. Torque bolts to 501 ft-lbs.
9. When crane is not in operation, a boom support should always be used. Traveling block should be connected to hook loop.
10. Electrical hookup:

Wiring (FM – cable from base of crane):

- A. CONNECT THE BLACK WIRE TO THE BATTERY NEGATIVE (GROUND).
- B. CONNECT THE RED WIRE TO FUSED 12VDC POWER. 12VDC POWER SHOULD BE SUPPLIED THROUGH A DEDICATED SWITCH THAT IS POWERED ONLY WHEN THE IGNITION SWITCH IS ON.
- C. OPTIONALLY, USE THE WHITE ( OR BROWN) WIRE FOR ENGINE FAST/SLOW (12VDC MAINTAINED-FM ONLY).
- D. OPTIONALLY, USE THE BLUE ( OR YELLOW) WIRE FOR ENGINE START.
- E. OPTIONALLY, USE THE ORANGE (OR GREEN) WIRE FOR ENGINE STOP.
- F. OPTIONALLY, USE THE GREEN OR BLUE) WIRE FOR AUXILIARY (12VDC MAINTAINED-FM ONLY).

NOTE: IF YOU HAVE A BROWN, USE THE COLORS IN PARENTHESIS.

**NOTE: ALL ELECTRICAL CONNECTIONS BETWEEN THE CRANE AND THE VEHICLE SHOULD BE MADE USING RELAYS TO ISOLATE THE ELECTRICAL SYSTEMS OF EACH AS MUCH AS POSSIBLE.**

**WARNING! FAILURE TO CORRECTLY PLUMB AND WIRE CRANE CAN CAUSE INADVERTENT OPERATION AND DAMAGE TO CRANE AND/OR PERSONNEL!**

11. Once crane and plumbing are installed on the truck, fill the reservoir to top of sight glass (mobile DTE 13 or equal). Before operating crane, connect together the pressure and return hoses going to base of crane using 10-12 JIC union and engage PTO with engine running. Allow oil to circulate for 15 to 20 minutes. This will flush any contaminants from the system back to the return line filter. Operate all cylinders to full extension and retraction a minimum of six times, to bleed air from system. Return all cylinders to the stored position and disengage PTO. Refill reservoir to top sight glass. To ensure 8 gallons per minute (GPM), install an in-line flow meter between the crane and the reservoir in the return hose.
12. Load test the crane to ensure proper functioning and truck stability.
13. Make certain the owner's manual is delivered to the customer.
14. For additional help: call the service department at the Auto Crane Company (918) 836-0463 (Tulsa, Oklahoma).

## **WARNING**

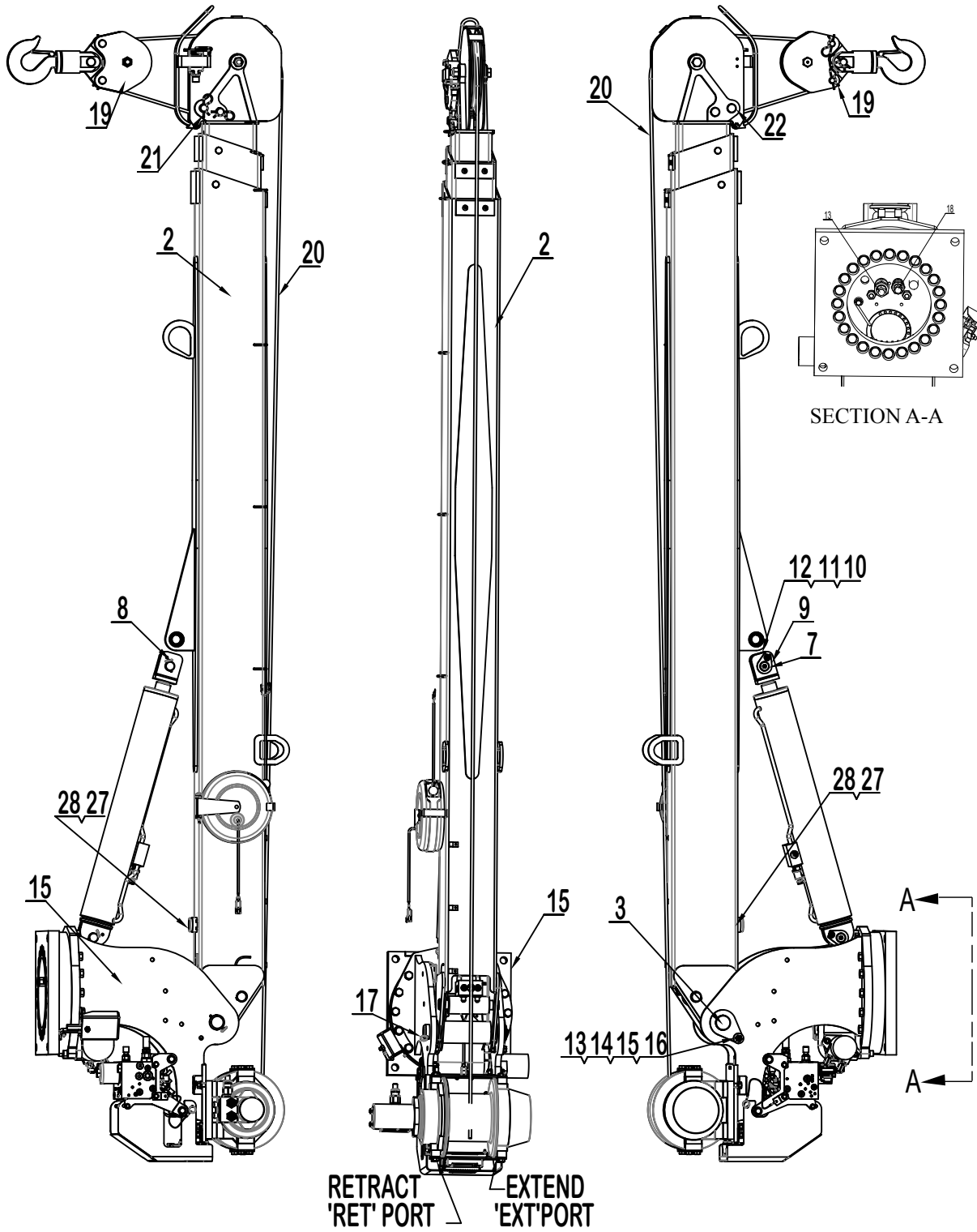
FEDERAL LAW (49 CFR PART 571) REQUIRES THAT THE FINAL STAGE MANUFACTURER OF A VEHICLE CERTIFY THAT HE VEHICLE COMPLIES WITH ALL APPLICABLE FEDERAL REGULATIONS. ANY MODIFICATIONS PERFORMED ON THE VEHICLE PRIOR TO THE FINAL STAGE ARE ALSO CONSIDERED INTERMEDIATE STAGE MANUFACTURING AND MUST BE CERTIFIED AS TO COMPLIANCE. THE INSTALLER OF THIS CRANE AND BODY IS CONSIDERED ONE OF THE MANUFACTURERS OF THE VEHICLE. AS SUCH A MANUFACTURER, THE INSTALLER IS RESPONSIBLE FOR COMPLIANCE WITH ALL APPLICABLE FEDERAL AND STATE REGULATIONS, AND IS REQUIRED TO CERTIFY THAT THE VEHICLE IS IN COMPLIANCE.

IT IS THE FURTHER RESPONSIBILITY OF THE INSTALLER OF THE CRANE TO COMPLY WITH THE OSHA TRUCK CRANE STABILITY REQUIREMENTS AS SPECIFIED BY 29 CFR PART 1910.180 (C) (1).



# HC-7 GENERAL ASSEMBLY

## P/N 477000001

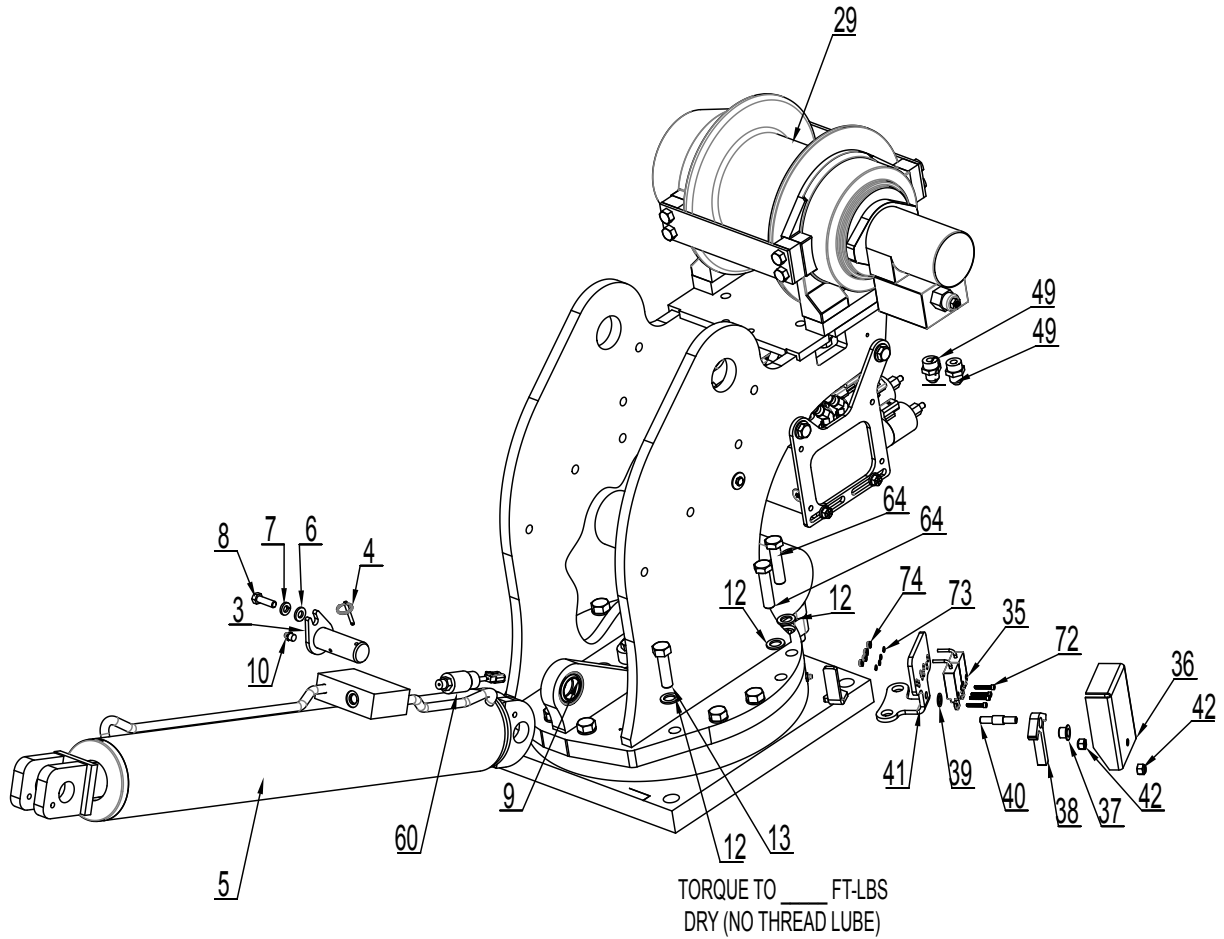


## HC-7 GENERAL ASSEMBLY

ITEM NO.	QTY	PART NO	DESCRIPTION
1	1	480988100	BOOM ASSEMBLY, 8406H
2	1	480988020	PIN, PIVOT, 8406H
3	1	480988025	VALVE COVER
4	1	021600000	WASHER FL 1/2
5	1	239300000	ZERK, GREASE
6	1	738642000	SCREW HX HD 1/2-13UNC X 1 3/4 LG GR8
7	1	021100000	WASHER SP LK 3/8
8	1	320976000	WASHER, FLAT, 3/8 SAE HARDENED
9	1	360124000	PIN HITCH
10	1	360676000	PIN, CYLINDER
11	1	360677000	PIN, 1/4 COTTERLESS RING
12	1	360678000	PIN, 3/16 COTTERLESS RING
13	1	360445000	CAP, 8 JIC
14	1	367238000	CAP, 10 JIC
15	1	017701000	NUT HX 1/2-13UNC
16	1	470076000	PIN, 1 DIA 4-11/16 LG
17	1	215000000	WASHER, SP LK 1/2
18	1	480841000	ROPE ASSY
19	1	366159000	SCREW HX HD 3/8-16UNC X 1 1/2 LG GR8
20	1	477823250	PEDESTAL ASS'Y E-7, H
21	1	477854000	TRAVELING BLOCK ASSEMBLY, HC-7
22	1	477823024	SHIP KIT, HC-7, HW
23	1	477823300	DECAL LAYOUT HC-7

# HC-7 PEDESTAL ASSEMBLY

## P/N 477823250



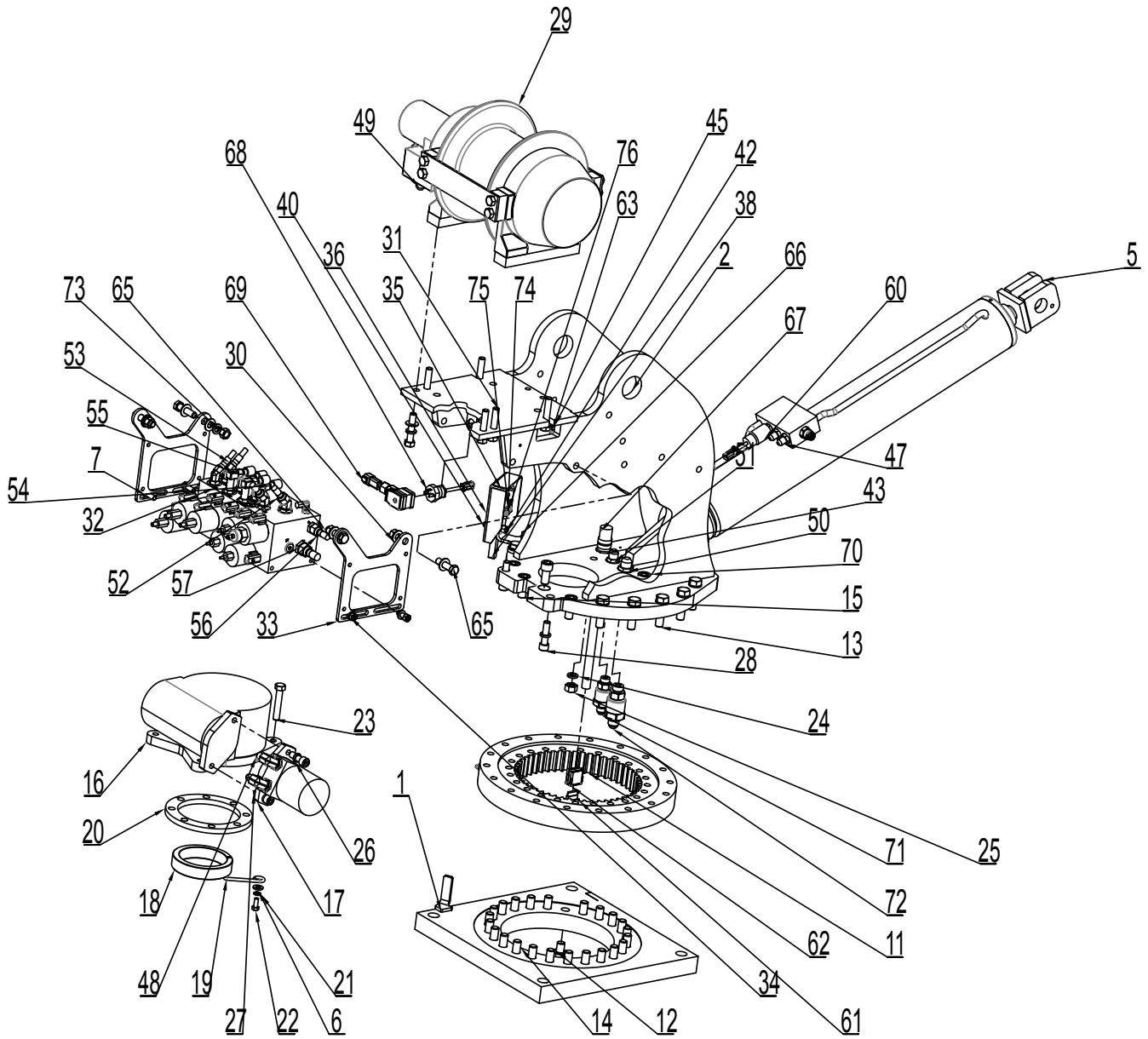
**HYDRAULICS:**

- “HD” PORT: HOIST DOWN
- “HU” PORT: HOIST UP
- “CW” PORT: ROTATION CW
- “CCW” PORT: ROTATION CCW
- “BU” PORT: LIFT CYL EXTEND
- “BD” PORT: LIFT CYL RETRACT
- “EXT” PORT: EXT CYL EXTEND

“RET” PORT: EXT CYL RETRACT    CYLINDER SEAL KIT:  
366822251  
COUNTER BALANCE CARTRIDGE: 480188000

# HC-7 PEDESTAL ASSEMBLY

## P/N 477823250



## HC-7 PEDESTAL ASSEMBLY

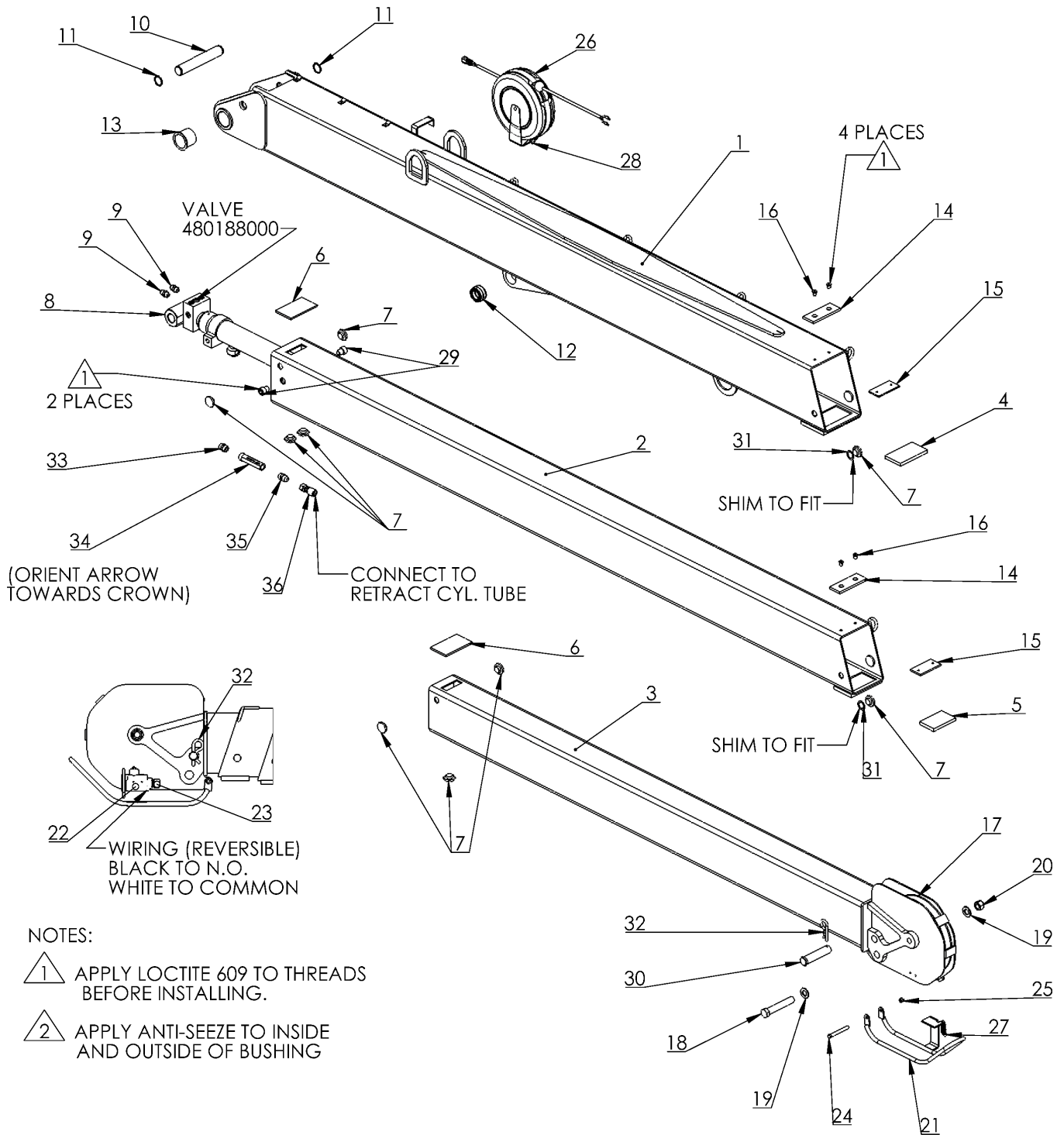
ITEM NO.	QTY.	PART NO.	DESCRIPTION
1	1	480988220	BASE PLATE WELDMENT
2	1	480988210	PEDESTAL WELD, LARGE CRANE
3	1	360676000	PIN, CYLINDER
4	1	360678000	PIN, 3/16 COTTERLESS RING
5	1	366822250	CYLINDER, LIFT, 6406H, STROKE - 27.81
6	2	320976000	WASHER, FLAT, 3/8 SAE HARDENED
7	5	021100000	WASHER SP LK 3/8
8	1	008702000	SCREW HX HD 3/8-16UNC X 1 1/4 LG GR5
9	1	366333000	BEARING, SPHERICAL 1.25 ID
10	1	239300000	ZERK, GREASE
11	1	480023002	BEARING ROTATION 5005-8005
12	36	023902000	WASHER FL 5/8 HARDENED
13	10	490171000	SCREW HX HD 5/8-11UNC X 2 1/4 LG GR8
14	24	012198000	SCREW HX HD 5/8-11UNC X 1 3/4 LG GR8
15	4	006205000	SCREW SOC HD 5/8-11UNC X 1 1/4 LG
16	1	160407	GEAR BOX, ROTATION
17	1	366440000	ROTATION MOTOR
18	1	360162000	RING, ECCENTRIC
19	1	360207000	RETAINER ECCENTRIC RING
20	1	480011000	SEAL ROTATION BOX
21	1	020601000	WASHER SP LK 5/16
22	1	007807000	SCREW HX HD 5/16-18UNC X 3/4 LG GR5
23	2	011202000	SCREW HX HD 1/2-20UNF X 2 3/4 LG GR5
24	14	021500000	WASHER, SP LK 1/2
25	2	17704000	NUT HX HVY 1/2-20UNF
26	2	021502000	WASHER SP LK 1/2 HI COLLAR
27	2	012197000	SCREW SOC HD 1/2-13UNC X 1/2 LG
28	2	009118000	SCREW SOC HD 1/2-13UNC X 2 LG
29	1	123314	WINCH- RPH 3000
30	14	320588000	WASHER, FL 1/2, HARDENED
31	6	011609000	SCREW 1/2 X 2 1/2NC GR5
32	1	366818000	VALVE, CONTROL 4 FUNC, W/BOOM DOWN RELIEF
33	2	460177250	PLATE, MANIFOLD MOUNT, LARGE CRANE
34	4	330371000	SCREW HX HD 3/8-16UNC X 1 LG GR8
35	1	460110100	ROTATION STOP SWITCH ASSEMBLY, 24"
36	1	366676000	COVER, ROTATION STOP
37	1	460079000	BEARING, ROTATION STOP

## HC-7 PEDESTAL ASSEMBLY

ITEM NO.	QTY.	PART NO.	DESCRIPTION
39	1	366675000	WASHER, NYLON
40	1	366673000	PIN, ROTATION STOP
41	1	480988255	BRACKET, ROT STOP
42	2	017301000	NUT HX NYLK 3/8-16UNC CP
43	1	366698000	CORD GRIP .375-.500 3/4" HUB
44	1	460177253	WASHER, 0.28 ID X 1.0 OD X .06 THICK
45	1	016300000	NUT HX NYLK 1/4-20UNC
46	1	813002000	KIT, HOSE
47	2	200876000	FITTING 6 SAE/6 JIC STRAIGHT
48	2	490198000	FITTING 10SAE(M)/6JIC ELBOW 90
49	2	372041000	FITTING 8JIC/10SAE STRAIGHT 8-10 F5OX
50	1	490199000	FITTING STR 10-SAE/10-JIC
51	1	367145000	FITTING STR 8-SAE/8-JIC
52	2	812303023	HOSE ASSY 8 JIC STR
53	2	812203022	HOSE ASSY, -6 JIC FEM, STR
54	2	812203037	HOSE ASSY 6 JIC STR
55	2	480205000	HOSE ASSY 6 STR X 19.25
56	1	812309026	HOSE ASSY 8 STR/90
57	1	812409023	HOSE ASSY 10 STR/90
58	1	374086000	NYLON HOSE SLEEVE, 1.81" ID
59	1	470091000	KIT, ELECTRICAL, LARGE-H-CRANE, HW
60	1	360685000	LOAD SENSOR SWITCH, 2400 PSI
61	1	366522002	WEDGE, DEUTSCH PLUG, 12 SOCKET
62	1	366522001	HOUSING, PLUG, DEUTSCH 12-PIN
63	1	320355000	RELAY, BOSCH
64	1	006200000	SCREW HX HD 1/4UNC X 1 1/4 GR5
65	4	011608000	SCREW HX HD 1/2UNC X 2 GR5
66	2	368121000	SCREW HX HD 5/8UNC X 2-1/2 CP GR8
67	1	680195000	HARNESS, HW, LARGE CRANE
68	1	470011000	CABLE ASSY, AMP TO 2-PIN DEUTSCH
69	1	470010000	AMPLIFIER ASSY, 4-PIN DEUTSCH
70	1	750426000	PLUG, 1/4 NPT, SOC HD
71	1	366359000	FITTING, -8 SAE / -8 JIC, SWIVEL, STR
72	1	366358000	FITTING, -10 SAE / -10 JIC, SWIVEL, STR
73	4	017701000	NUT HX 1/2-13UNC
74	4	062100000	CAPSCREW-#8-32 X 7/8 LG SOC HD Z/P
75	4	019700000	WASHER SP LK #8
76	4	725321000	NUT HX NYLK #8-32UNC

# HC-7 BOOM ASSEMBLY

## P/N: 480988101



CYL SEAL KIT P/N: 480988151  
C'BAL P/N: 360153001



# HC-7 BOOM ASSEMBLY

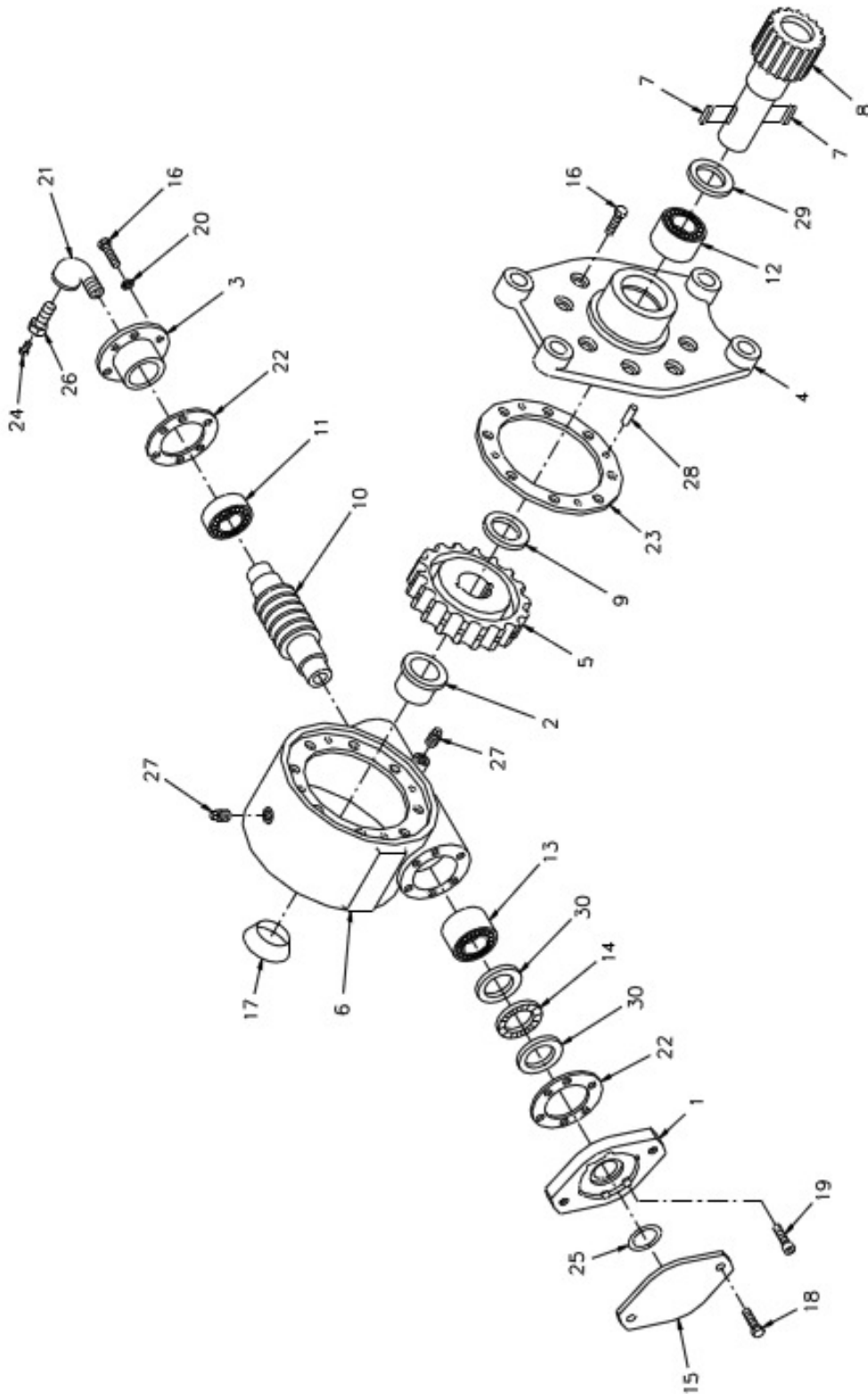
P/N: 480988101

ITEM NO.	QTY.	PART NO.	DESCRIPTION
1	1	480988110	LOWER BOOM WELD, 8406H
2	1	480988120	MID BOOM WELD, 8406H
3	1	480988130	UPPER BOOM WELD, 8406H
4	1	460052000	WEAR PAD, BOTTOM MID
5	1	460053000	WEAR PAD, BOTTOM UPPER
6	2	460177160	WEAR PAD, 5.13X3X.25, BOSS 1X3
7	11	360767000	PAD BOOM 1.5 O.D.
8	1	480988150	CYLINDER, EXTENSION, STROKE - 48/72
9	2	200876000	FITTING 6 SAE/6 JIC STRAIGHT
10	1	460177161	PIN, 1.25OD, 7.81 GRIP
11	2	480029000	RING RETAINING
12	1	366333000	BEARING, SPHERICAL 1.25 ID
13	2	366394000	BEARING, PIVOT
14	2	460081000	WEAR PAD, CABLE
15	2	460082000	PLATE, WEAR PAD RETAINER
16	4	460177163	SCREW SOC HD CTRSNK 5/16-24UNF X 5/8 LG
17	1	366198000	SHEAVE ASSY 3/8
18	1	014400000	SCREW HX HD 3/4-16UNF X 5 LG GR5
19	2	022102000	WASHER FL 3/4
20	1	018600000	NUT HX NYLK 3/4-16UNF CP
21	1	360718000	BAIL WELDMENT
22	1	646900000	SWITCH, LIMIT ANTI-TWO BLOCK
23	1	642918000	CORD CONNECTOR
24	1	007803000	SCREW HX HD 5/16-18UNC X 3-1/2 GR5
25	1	016801000	NUT HX NYLK 5/16-18UNC CP
26	1	360759001	CORD REEL ASSY
27	1	366678000	SPRING, EXTENSION
28	1	360882000	NUT, PUSH-ON TYPE (.161-.164DIA)
29	2	460177162	SCREW SOC HD 5/8-11UNC X 3/4 LG
30	1	470076000	PIN, 1 DIA 4-11/16 LG
31	4	460177164	SHIM, 1.31 OD X 0.9 ID X 0.04 TH, NYLON
32	1	360124000	PIN HITCH
33	1	374400000	FITTING, -8 ORB, -8 ORB, STRAIGHT
34	1	460177180	VALVE, IN-LINE RELIEF, 400PSI
35	1	770055000	FITTING 8 SAE/8 JIC STRAIGHT
36	1	812234017	HOSE ASSY, -8 JICF/-8 JICF, -6 HOSE, 17LG



# HC-7 ROTATION GEARBOX

P/N: 160407



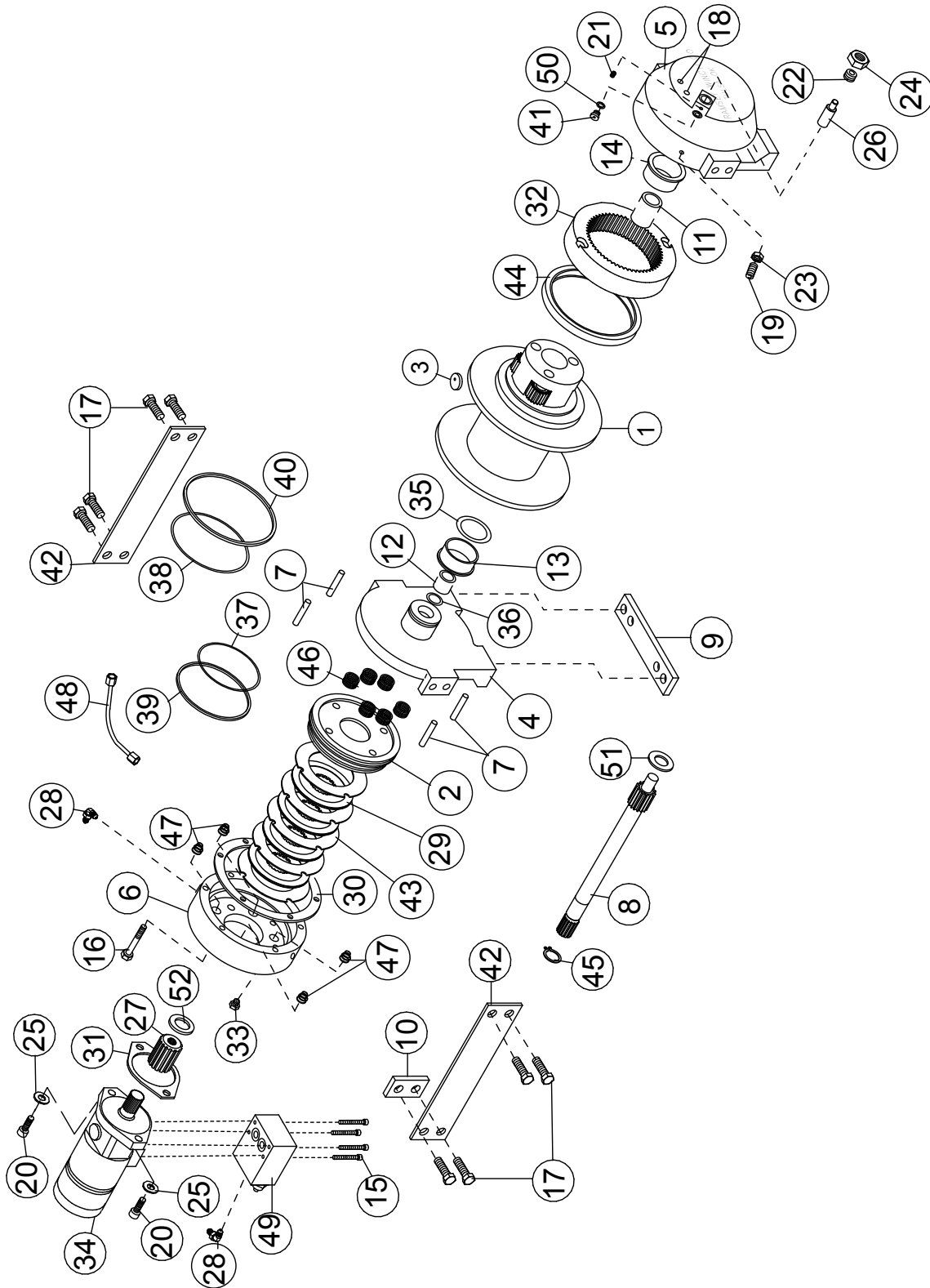
# HC-7 ROTATION GEARBOX

P/N: 160407

ITEM NO.	QTY.	PART NO.	DESCRIPTION
1	1	300058	ADAPTER
2	1	308085	BUSHING
3	1	316092	CAP BEARING
4	1	328126	COVER
5	1	334016	GEAR R.H.
6	1	338261	HOUSING GEAR
7	2	342120	KEY
8	1	357139	SHAFT OUTPUT
9	1	366019	WASHER THRUST
10	1	368183	WORM R.H.
11	1	402044	BEARING BALL
12	1	402105	BEARING NEEDLE
13	1	402106	BEARING NEEDLE
14	1	402107	BEARING THRUST
15	1	413013	COVER
16	14	414146	SCREW HX HD 5/16 NC X 1 1/4 GR5 (NYLON HEAVY PATCH)
17	1	530101	PLUG - EXPANSION
18	2	414581	SCREW HX HD 1/2 NC X 3/4 GR5
19	6	414869	SCREW SOC HD 5/16 NC X 1
20	6	418163	WASHER LK 5/16 MED SECT
21	1	432011	ELL 90 DEG
22	2	442182	GASKET
23	1	442187	GASKET
24	1	456008	FITTING RELIEF
25	1	462029	O-RING
26	1	468002	REDUCER
27	2	468018	PLUG PIPE
28	4	470062	PIN DOWEL
29	1	486071	SEAL OIL
30	2	518026	WASHER THRUST

# HC-7 HOIST ASSEMBLY

P/N: 123314



SEAL KIT #246048

# HC-7 HOIST ASSEMBLY

P/N: 123314

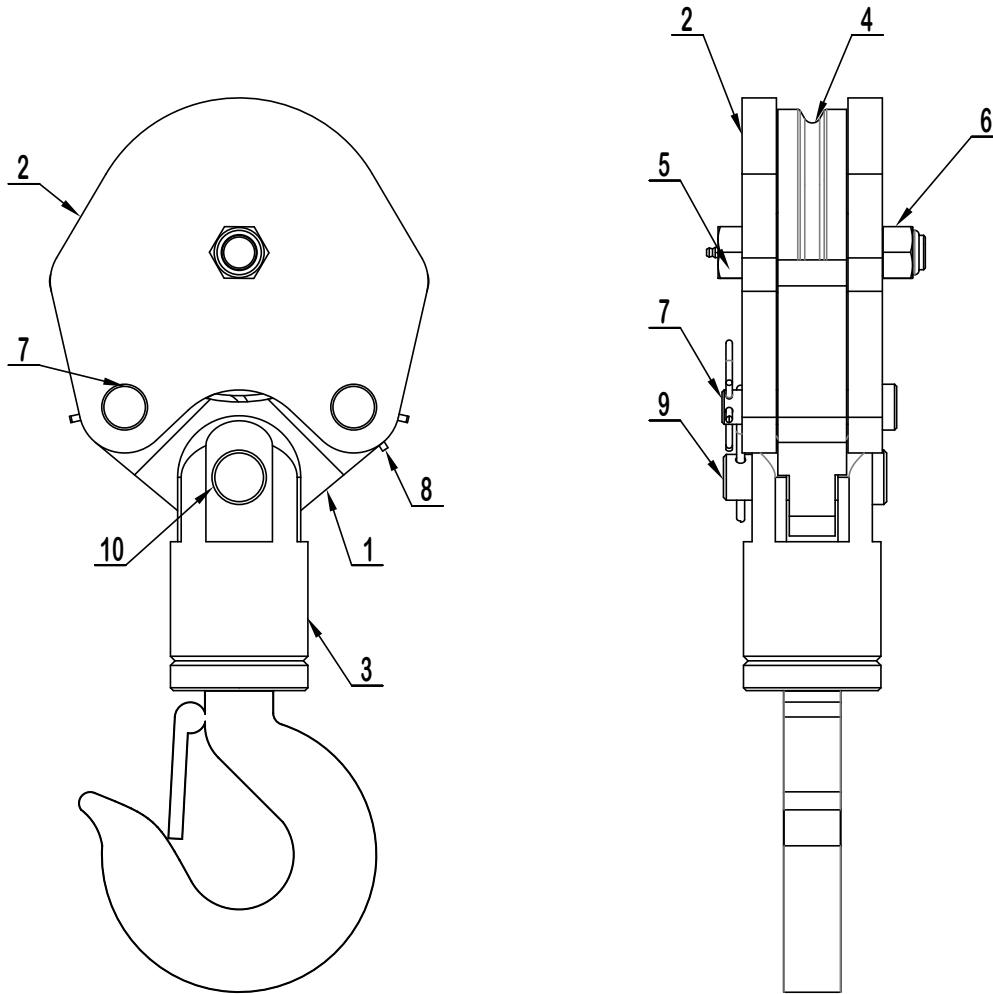
ITEM NO.	QTY.	PART NO.	DESCRIPTION
1	1	234189	DRUM ASSEMBLY
2	1	306042	PISTON-BRAKE
3	1	315004	ANCHOR- CABLE
4	1	338300	END BRG-MOTOR END
5	1	338301	END BRG-GEAR HSG.
6	1	338302	HSG-BRAKE
7	4	346045	PIN-BRAKE
8	1	357513	SHAFT- INPUT
9	2	357513	SPACER - FOOT MTG
10	4	362284	SPACER - TIE PLATE
11	1	402120	BEARING-GARLOK BRG.#12U16 OR EQUIV.
12	1	402121	BEARING-RPH12,GARLOCK BRG#16DU08/EQ
13	1	412084	BUSHING-DRUM,MOTOR END
14	1	412085	BUSHING-DRUM,GEAR END
15	4	414129	CAPSCREW 5/16-18NCX3 LG HX HD GR-5
16	6	414303	BOLT-3/8-16NC X2 1/2,HXHD,GR-5, Z/P
17	8	414548	CAPSCREW-1/2-13NCX1 1/2,HXHD,Z/P,G5
18	2	414854	SCREW-1/4-20NCX1/2LG,RDHD,SLOT,Z/PL
19	1	414926	SETSCREW-3/8-16NC X1,SOCKET,NYLON
20	2	414948	CAPSCREW-1/2-13NCX1 1/4LG,SOCKET HD
21	1	416016	SETSCREW1/4-20NCX1/4 HX SOCK HD CUP
22	1	416080	SETSCREW-5/8-18NF X1 LG,HXSOCHD,CUP
23	1	418036	NUT-3/8-16 NC,HEX JAM,Z/P
24	1	418088	NUT-JAM 5/8-18NF HEX HD,ZINC PLT
25	2	418218	LOCKWASHER-1/2 ID MED SECT,ZINC PLT
26	1	426048	PLUNGER-CLUTCH,BLOCKED,RPH12/15000
27	1	431015	COUPLING-MOTOR,P/M, RPH-12000
28	2	432018	FITTING #4-C5OX-S T-LOK, 7/16-20 90 degree
29	4	438022	DISC-BRAKE
30	1	442220	GASKET-BRAKE HSG.,RPH12000,#VCN-60
31	1	442223	GASKET-MOTOR FLANGE,RPH12000
32	1	444085	GEAR-RING,P/M,RPH-12000
33	1	456038	FITTING-VENT,BREATHER,#ASP-1BV/EQIV
34	1	458119	MOTOR-HYDRAULIC, W/COUNTERBALANCE
35	1	462046	O-RING 1/8X2 1/4 OD X 2, AS-568-226
36	1	462056	O-RING-AS-568-214
37	1	462057	O-RING-AS-568-256
38	1	462058	O-RING-AS-568-259
39	1	462059	RING-BACK-UP,VERCO#1750-256
40	1	462060	RING-BACK-UP,VERCO#1750-259

**HC-7 HOIST ASSEMBLY**  
**P/N: 123314**

ITEM NO.	QTY.	PART NO.	DESCRIPTION
41	1	472052	PLUG-SAE O-RING,.562-18NF,HXSOC
42	2	474065	TIE PLT-7GAX2.25X10.25,W/Y-DM,IPH8Y
43	5	474111	PLATE-SEPARATOR,BRAKE,RPH-12000
44	1	486080	SEAL-GH,MIKRON #RWH-675,MB-2590,RPH
45	1	490037	SNAP RING-TRUARC #5100-93,OR EQUIV.
46	6	494110	SPRING-BRAKE,ASSOC#CV1000-1000-158
47	4	494112	SPRING-RPH12000,PRESSURE TO BRAKE
48	1	509009	TUBE ASSY-1/4OD,HYD.BRK.,RPH-12000
49	1	516033	VALVE-MOTOR CONTROL 4.5:1 RATIO
50	1	518037	THRUST WASHER-TORRINGTON #TRA-1018
51	1	518047	THRUST WASHER,0.063 THK.X1.50 OD
52	1	518052	THRUST WASHER,1.37 O.D.,RPH-12000

# HC-7 TRAVELING BLOCK ASSEMBLY

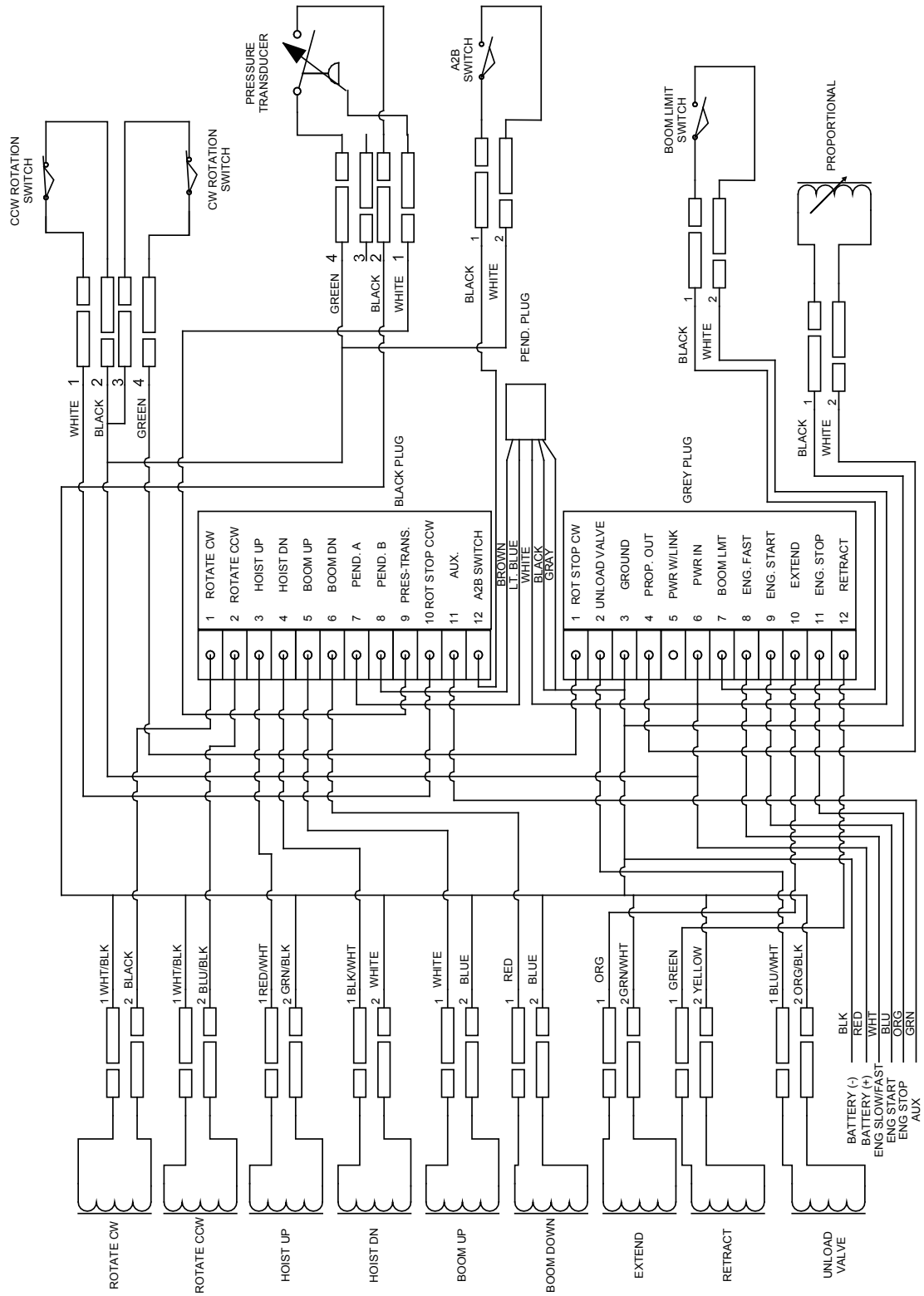
P/N: 477854000



ITEM NO.	QTY	PART NUMBER	DESCRIPTION
1	1	480860000	TACKLE LOWER
2	2	480859000	SIDE PLATE TRAVELING BLOCK
3	1	480366000	HOOK SWIVEL 6 METRIC TON
4	1	480861000	SHEAVE ASSY 3/8 ROPE
5	1	490313000	BOLT, SHEAVE W/ZERK FITTING
6	1	018600000	NUT HX NYLK 3/4-16UNF CP
7	2	360605000	PIN, BLOCK
8	2	366813000	PIN HITCH
9	1	480368000	PIN SWIVEL HOOK
10	1	360124000	PIN HITCH

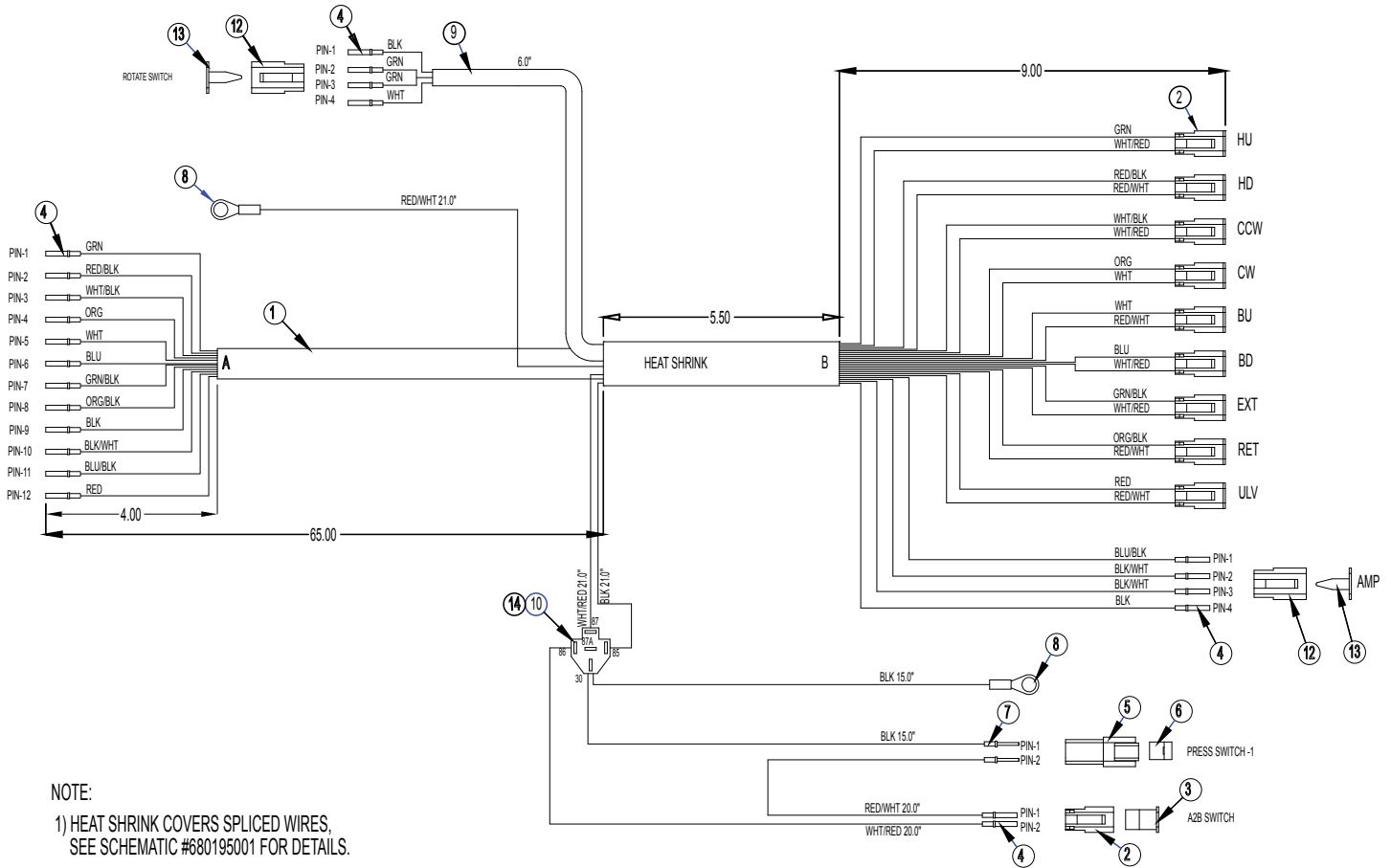
# HC-7 ELECTRICAL SCHEMATIC

P/N: 366823257



# HC-7 MAIN HARNESS

## P/N: 680195000



**NOTE:**

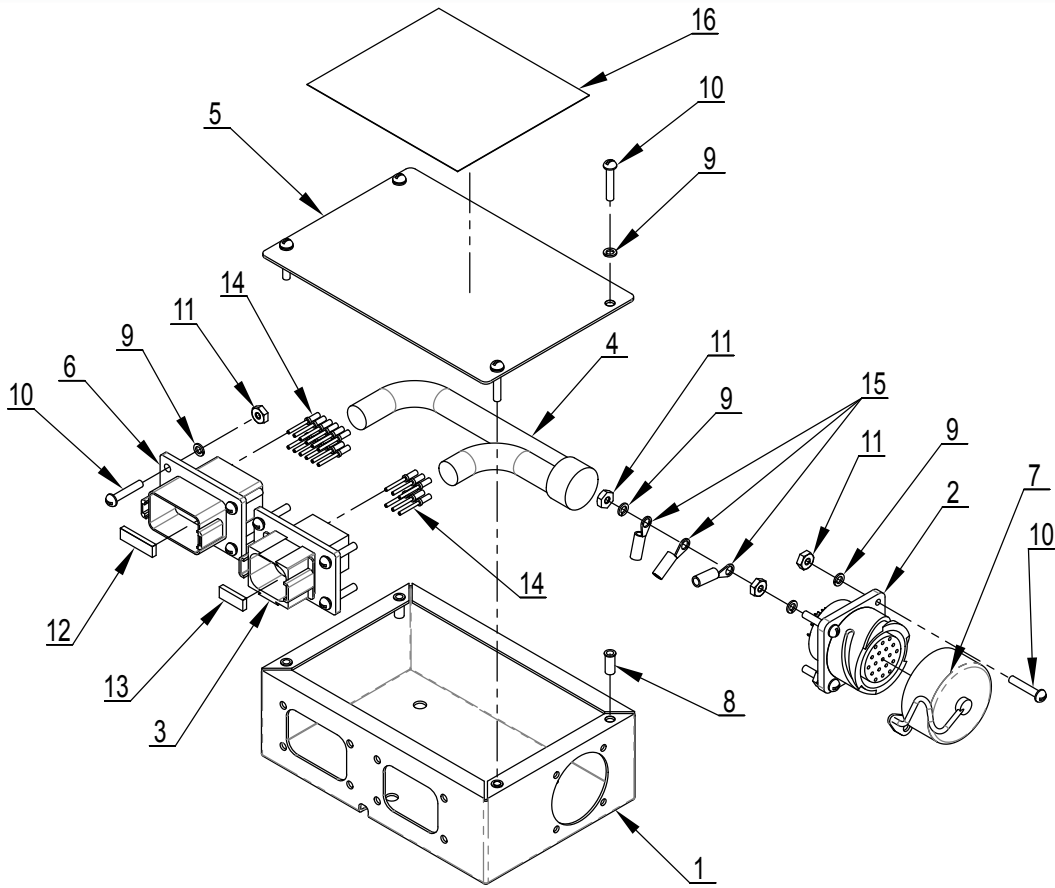
- 1) HEAT SHRINK COVERS SPLICED WIRES, SEE SCHEMATIC #680195001 FOR DETAILS.
- 2) GROUND WIRES ARE BLACK/WHITE.

FUNCTION	PIN	WIRE COLOR	NOTES
HOIST UP	1	GREEN	TO PIN 1 (MAIN)
	2	WHITE/RED	TO A2B GROUND
HOIST DN	1	RED/BLACK	TO PIN 2 (MAIN)
	2	RED/WHITE	GROUND
ROTATE CCW	1	WHITE/BLACK	TO PIN 3 (MAIN)
	2	BLACK	TO PIN 1 (ROTATE SWITCH)
ROTATE CW	1	ORANGE	TO PIN 4 (MAIN)
	2	WHITE	TO PIN 4 (ROTATE SWITCH)
BOOM UP	1	WHITE	TO PIN 5 (MAIN)
	2	RED/WHITE	GROUND
BOOM DN	1	BLUE	TO PIN 6 (MAIN)
	2	WHITE/RED	TO A2B GROUND
EXTEND	1	GREEN/BLACK	TO PIN 7 (MAIN)
	2	WHITE/RED	TO A2B GROUND
RETRACT	1	ORANGE/BLACK	TO PIN 8 (MAIN)
	2	RED/WHITE	GROUND
A2B SWITCH	1	RED/WHITE	TO PIN 2 (PRESS SWITCH-1)
	2	WHITE/RED	TO PIN 87 (RELAY)
PRESSURE SWITCH	1	BLACK	GROUND
	2	RED/WHITE	TO PIN 1 (A2B SWITCH)
ROTATE SWITCH 3 COND CABLE	1	BLACK	TO PIN 2 (CCW)
	2,3	GREEN	GROUND
	4	WHITE	TO PIN 2 (CW)
PROPORTIONAL VALVE	2	BLACK/WHITE	TO PIN 10 (MAIN)
	3	BLUE/BLACK	TO PIN 11 (MAIN)
	4	BLACK	TO PIN 9 (MAIN)
	5	BLACK/WHITE	TO PIN 10 (MAIN)
UNLOADING VALVE	1	RED	TO PIN 12 (MAIN)
	2	RED/WHITE	GROUND
BOSCH RELAY ( 86)	1	RED/WHITE	PIN 1, (FOR A2B SW)
BOSCH RELAY ( 85)	2	BLACK	PIN 2, (FOR GROUND)
BOSCH RELAY ( 87)	1	WHITE/RED	PIN 2, (FOR PRESS SW-1)
BOSCH RELAY ( 30)	2	RED/WHITE	PIN 1, (FOR PRESS SW-1)



# HC-7 JUNCTION BOX ASSEMBLY

P/N: 366520002



19 PIN	8 PIN	12 PIN	GND	WIRE COLOR	WIRE CUT LENGTH
A		5		RED	6.5
B		1		GREEN	6.5
C		4		ORANGE	6.5
D	3			RED/WHITE	4.0
E		3		BLACK	6.5
F		2		RED/BLACK	6.5
G		6		BLUE	6.5
H		8		ORANGE/BLACK	6.5
J		7		GREEN/BLACK	6.5
K	-	12		WHITE/BLACK	6.5
L	1			WHITE	4.0
M		11		BLUE/BLACK	6.5
N			GND	BLACK/WHITE	5.5
P	4			GREEN/WHITE	4.0
R	5			BLUE/WHITE	4.0
S	6			BLACK/RED	4.0
T		9		WHITE/RED	6.5
U	-	-		NOT USED	N/A
V	-	-		NOT USED	N/A
		10	GND	BLACK/WHITE	3.0
	2		GND	BLACK/WHITE	5.0

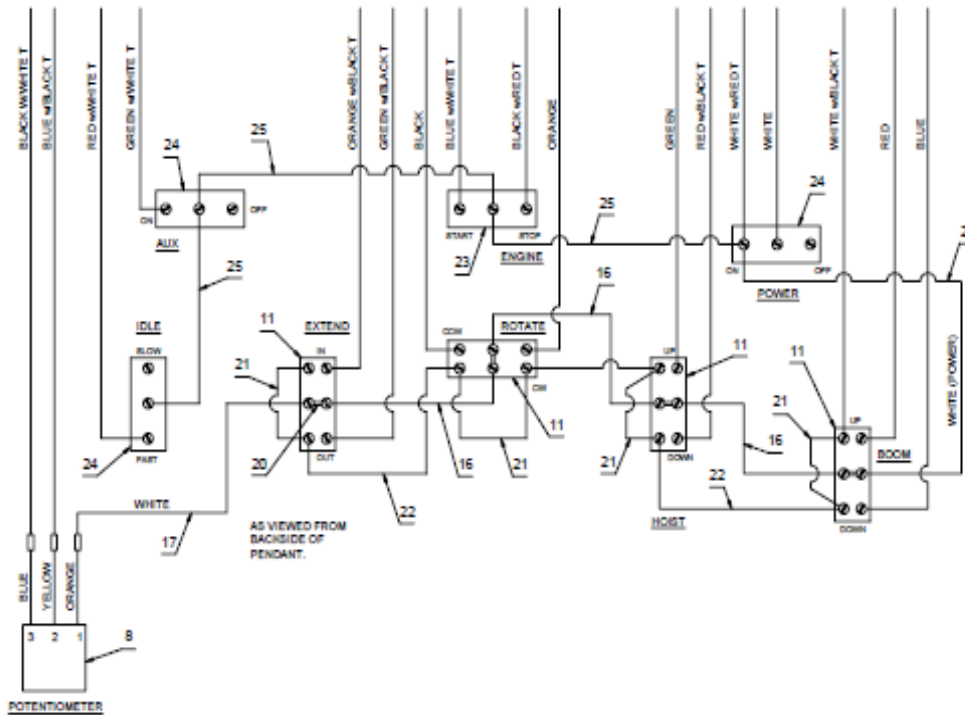
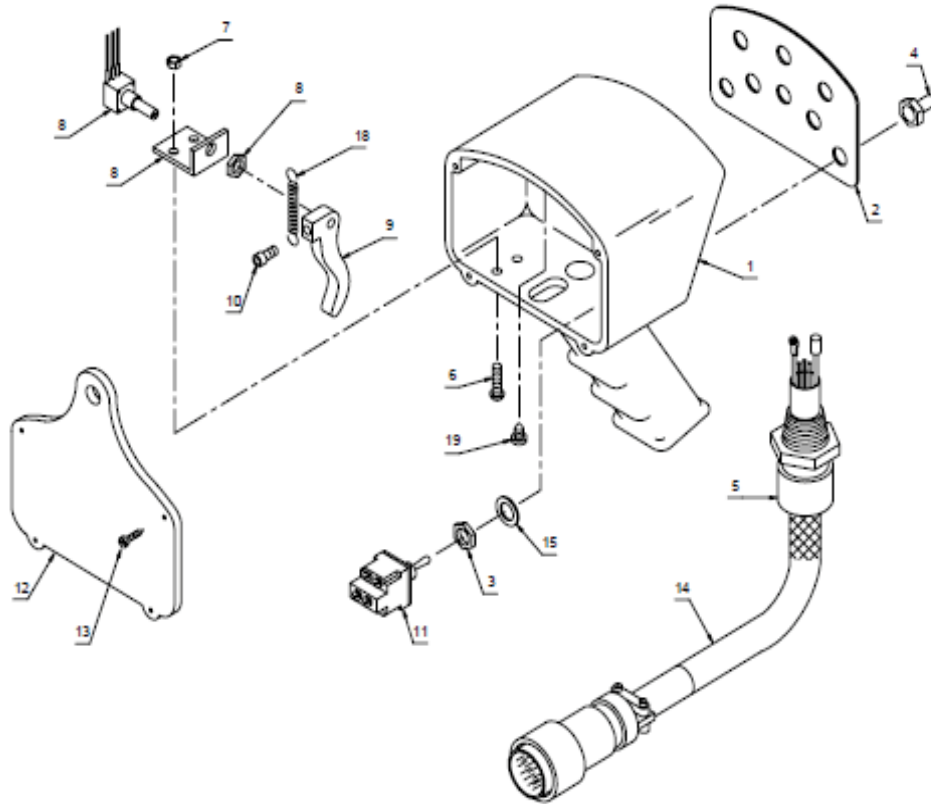
# **HC-7 JUNCTION BOX ASSEMBLY**

**P/N: 366520002**

<b>ITEM NO.</b>	<b>QTY.</b>	<b>PART NO.</b>	<b>DESCRIPTION</b>
1	1	366470000	JUNCTION BOX
2	1	366095000	PLUG, 19 PIN
3	1	366523001	HOUSING, DEUTSCH 8-PIN RECEPTACLE
4	1	480594001	CABLE, PENDANT, 16/10 SO BLACK
5	1	366471000	COVER, JUNCTION BOX
6	1	366524001	HOUSING, DEUTSCH 12-PIN RECEPTACLE
7	1	366097000	CAP W/CHAIN (FOR RECEPTACLE)
8	4	366517000	RIVET NUT, 6-32
9	17	019600000	WASHER SP LK # 6 CP
10	16	001004000	SCREW PN HD #6 X 3/4 LG
11	13	015400000	NUT HX #6-32UNC
12	1	366524002	WEDGE, DEUTSCH RECEPTACLE, 12 PIN
13	1	366523002	WEDGE, DEUTSCH RECEPTACLE, 8 PIN
14	18	366376003	CONTACT, DEUTSCH
15	3	000101000	TERMINAL RING, 5/32, 14-16 GA
16	1	366469001	DECAL, JUNCTION BOX WIRING

# HC-7 PENDANT BOX ASSEMBLY

## P/N: 680040000

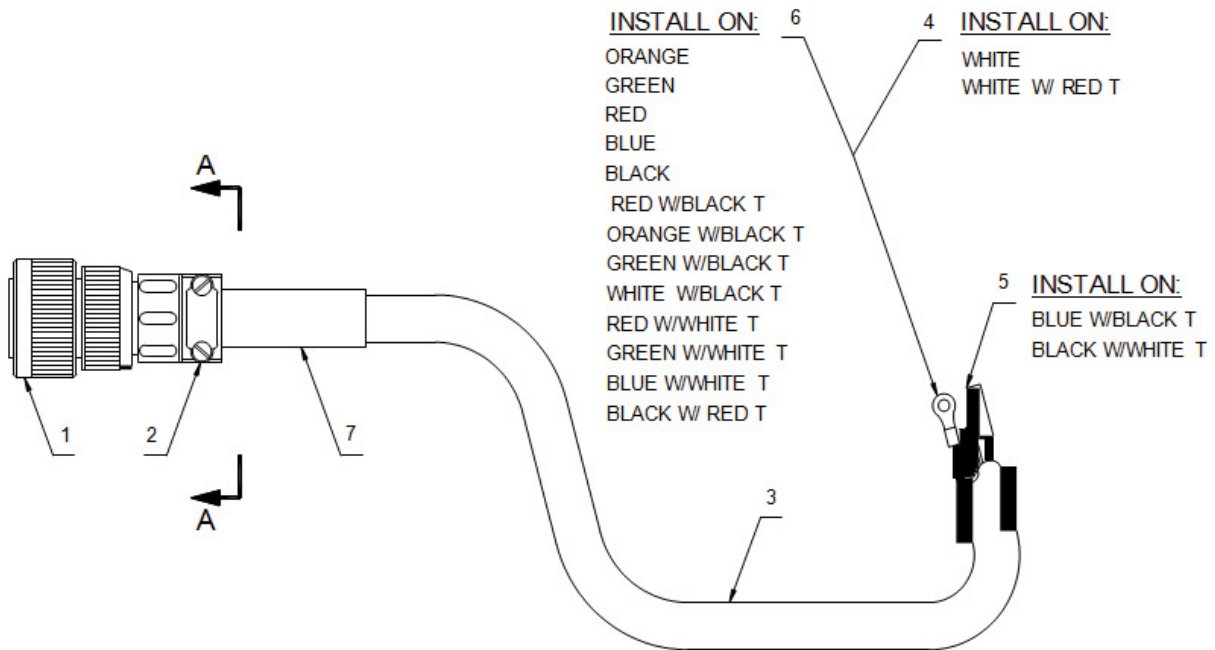


**HC-7 PENDANT BOX ASSEMBLY  
PARTS LIST  
P/N: 680040000**

ITEM	QTY	PART NO.	DESCRIPTION
1	1	480501000	HOUSING, PROP. PENDANT MACHINED
2	1	480518000	DECAL/COVER PLATE
3	8	REF	NUT (INCLUDED WITH SWITCH)
4	8	640300000	BOOT, TOGGLE
5	1	480567000	CORD GRIP, HUBBELL CONNECTOR
6	2	002607000	SCREW, HX HD #10-24 NC X 3/4 LG
7	2	015801000	NUT, HEX, LOCKING, #10-24 NC
8	1	480507000	POTENTIOMETER ASSEMBLY
9	1	480506000	TRIGGER
10	1	480517000	SCREW, SOC HD, #10-32 NF X 5/8 LG
11	4	634200000	SWITCH, TOGGLE DPDT
12	1	480504000	BACK PLATE, HOUSING
13	4	001004000	SCREW, PAN HD, #6-32 X 3/4 LG
14	1	680113000	CABLE ASSEMBLY, BAYONET
15	8	REF	WASHER, LOCK (INCLUDED WITH SWITCH)
16	3	660302000	CONDUCTOR ASSEMBLY
17	1	480524000	CONDUCTOR ASSEMBLY
18	1	480523000	SPRING, TRIGGER RETURN
19	1	005003000	SCREW, S.T. PAN HD, #6-32 X 3/8 LG
20	4	636600000	JUMPER
21	4	622346000	CONDUCTOR ASSEMBLY
22	3	622347000	CONDUCTOR ASSEMBLY
23	1	622000000	SWITCH, TOGGLE SPDT
24	3	750090000	SWITCH, TOGGLE ON/OFF
25	1	480526000	CONDUCTOR ASSEMBLY
26	2	750737000	TIE, CABLE

# HC-7 PENDANT CABLE ASSEMBLY

## P/N: 680113000



### WIRING GUIDE



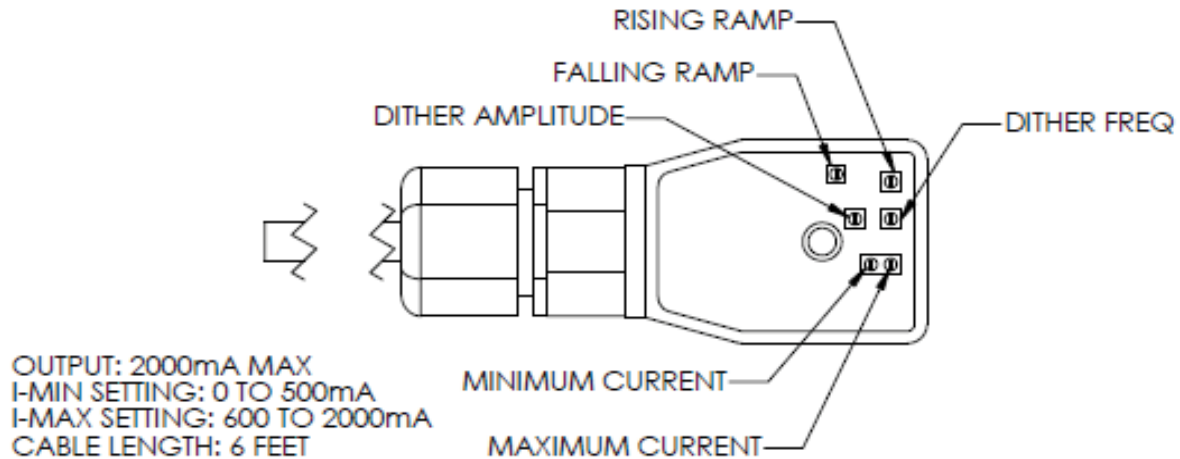
**VIEW A-A**

- |                    |                   |
|--------------------|-------------------|
| A-RED              | L-WHITE           |
| B-GREEN            | M-BLUE W/BLACK T  |
| C-ORANGE           | N-BLACK W/WHITE T |
| D-RED W/WHITE T    | P-GREEN W/WHITE T |
| E-BLACK            | R-BLUE W/WHITE T  |
| F-RED W/BLACK T    | S-BLACK W/RED T   |
| G-BLUE             | T-WHITE W/RED T   |
| H-ORANGE W/BLACK T | U-ORANGE W/RED T  |
| J-GREEN W/BLACK T  | V-BLUE W/RED T    |
| K-WHITE W/BLACK T  |                   |

ITEM NO.	QTY.	PART NO.	DESCRIPTION
1	1	366098000	PLUG, CONNECTOR
2	1	480515000	CLAMP, CABLE
3	30'	480594000	CABLE, CONDUCTOR (19 COND)
4	2	000101000	TERMINAL RING #6 / 14-16 GA
5	2	480510000	CONNECTOR, BULLET, FEMALE
6	13	002012000	TERMINAL RING #6 / 18-22 GA
7	6"	490243000	TUBING, HEAT SHRINK

# HC-7 PROPORTIONAL VALVE CONTROLLER

## P/N: 470010000



### MINIMUM CURRENT ADJUSTMENTS

Current is factory set at 150 mA, no adjustment required at installation. If adjustment is required, set the minimum current before setting the maximum current. Apply minimum input (0 VDC). If the desired minimum current is greater, adjust the trim pot CW until the desired current is achieved.

### MAXIMUM CURRENT

Current is factory set at 1600 mA, no adjustment required at installation. If adjustment is required, apply maximum control (5 VDC). Turn the trim pot CCW to adjust the current setting downwards to the desired minimum.

### RAMP AND DITHER

Ramp and dither is adjusted at the factory and does not require any further adjustment.

# HC-7 PENDANT ASSEMBLY

## P/N 680040000

### Counterbalance Valve Adjustment

1. With PTO disengaged and boom properly supported, remove the plug on the counterbalance valve. Install a pressure gauge (0-3000 PSI) into the port.
2. Engage PTO and insure pump flow is 8 to 9 GPM. With no load on boom, boom up to an angle of 70 degrees. Boom down and note pressure. If pressure reading is not approximately 1300 PSI, the counterbalance valve requires adjustment.
  - A. To increase the CB valve setting, loosen nut and turn Allen head screw counter clockwise.
  - B. To reduce the CB valve setting, loosen nut and turn Allen head screw clockwise.
3. Tighten nut on adjustment screw and repeat procedure if needed to obtain the proper pressure setting.
4. Disengage PTO, remove the pressure gauge and install plug. Crane is now ready for operation.

### *Notice:*

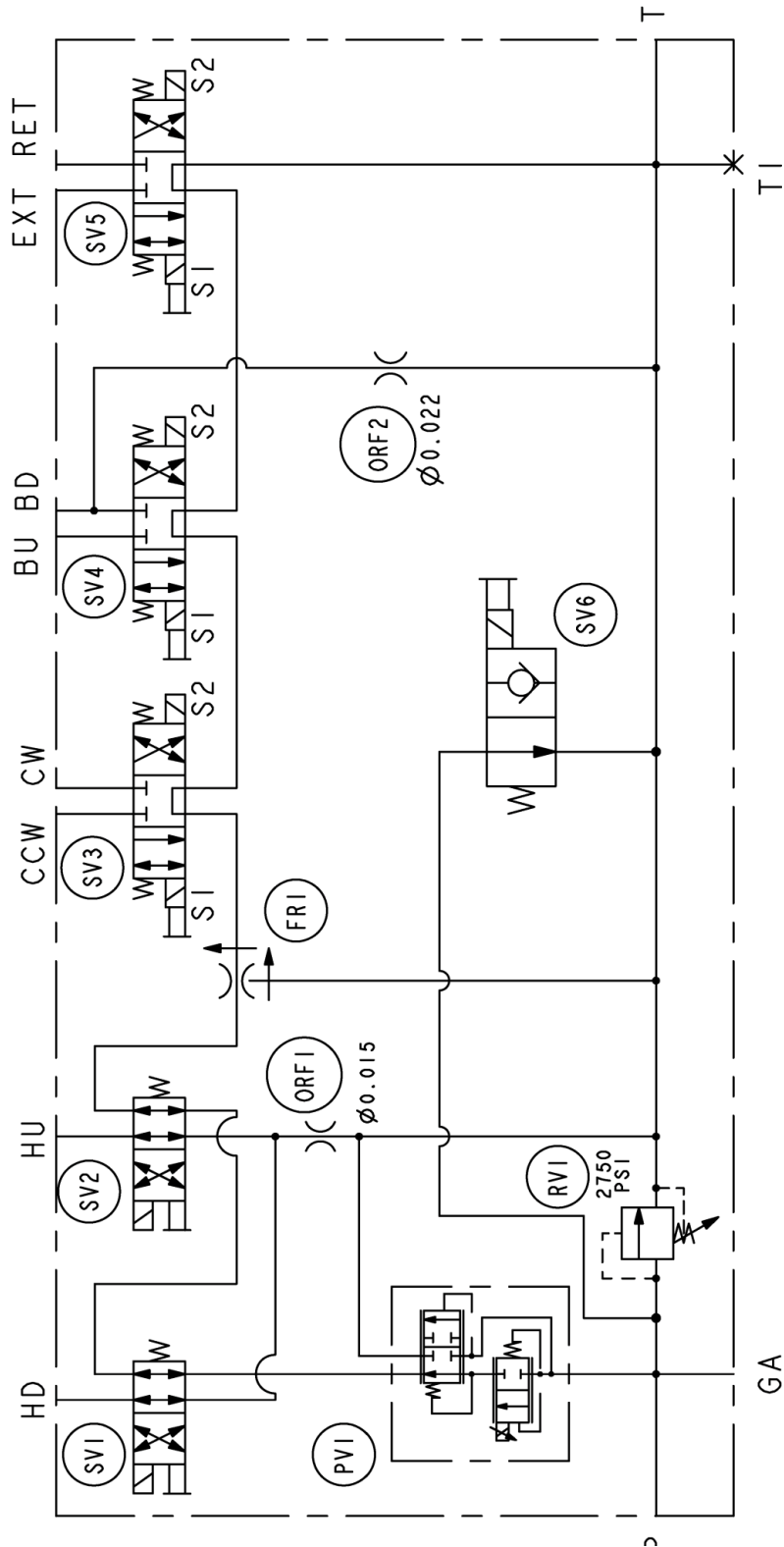
1. In an **EMERGENCY** situation when it becomes necessary to lower the boom without flow present, the CB valve adjustment can be turned in until the boom begins to descend. Make sure the boom will lower onto a proper support. Loosen the lock nut and carefully turn adjustment screw clockwise! Count the number of turns. *Turn slowly until the boom just begins to lower, and remove hand/arm/fingers from cranes while boom is lowering.*
2. Turning adjustment screw too far will cause valve to come apart on the inside. This condition is not repairable.
3. After boom is lowered, turn adjustment screw counter clockwise the approximate number of turns made during lowering procedure. After the problem is corrected, readjust the counterbalance valve using the procedure in this manual.

### **WARNING:**

**DO NOT TRY TO ADJUST VALVES WHILE BOOM IS MOVING.  
Doing so may result in personal injury!**

# HC-7 HYDRAULIC SCHEMATIC

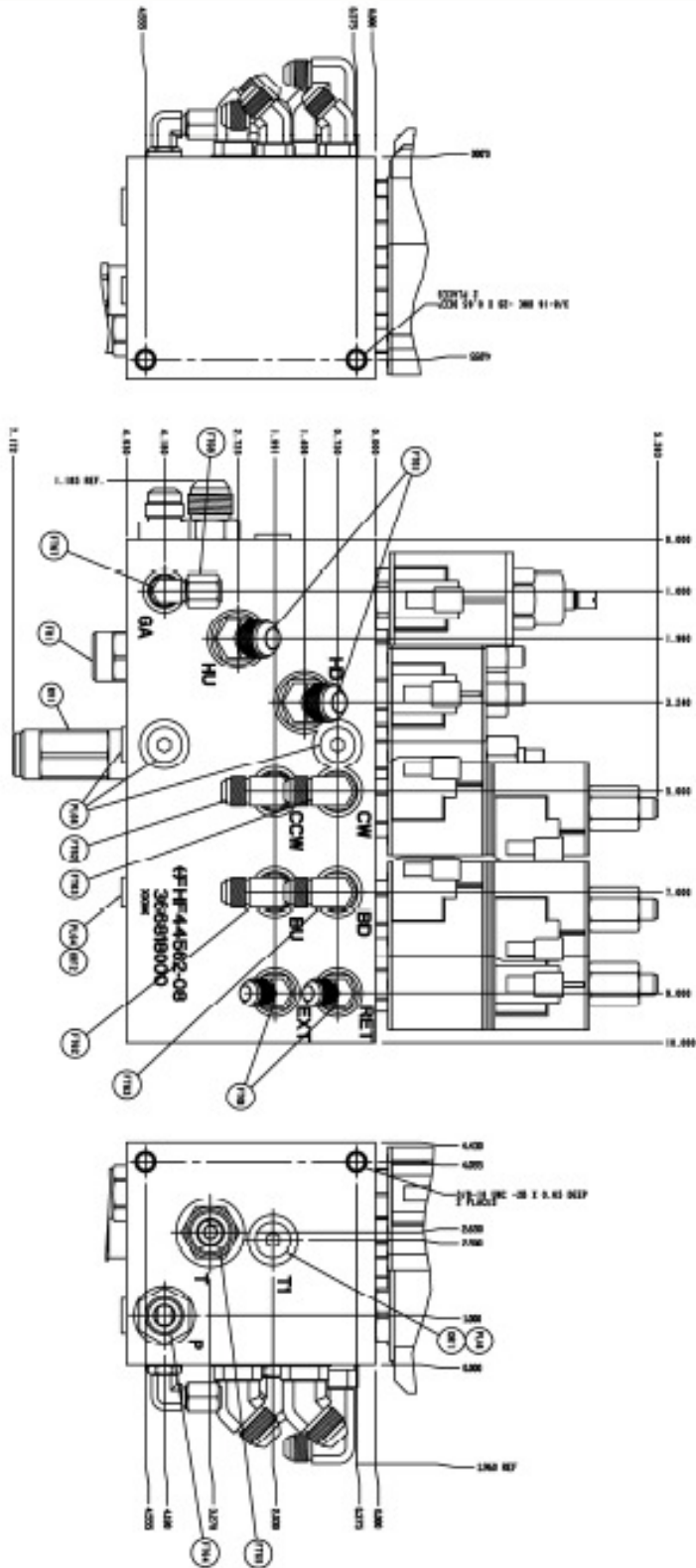
## P/N 36681800





# HC-7 HYDRAULIC CONTROL VALVE

## P/N 36681800



# HC-7 HYDRAULIC CONTROL VALVE

## P/N 36681800

ITEM	QTY	VENDOR NUMBER	AUTOCRANE NUMBER	DESCRIPTION
PV1	1	PV70-30AM-0-N-00	366365002	PROPORTIONAL VALVE
CL1	1	4303212	366370001	PROPORTIONAL COIL
FR1	1	FR10-30F-0-N-/4.00	366365003	FLOW REGULATOR
RV1	1	RV10-22H-0-N-35/27.5	366365004	RELIEF VALVE
SV6	1	SV10-21P-0-N-00	366760001	UNLOADER VALVE
SV1,SV2	2	SV10-L40M-0-N-00	480186000	HOIST VALVES
SV3,SV4,SV5	3	SV10-47AM-0-N-00	320725001	EXT/RET, BOOM UP/DN, ROTATE
CL2	9	COIL 4303712	460160002	CW,CCW VALVES
PLG6	4	PORT PLUG 6103006		FUNCTION COILS
ORF1	1	PORT PLUG 6103006		PORT PLUG
ORF2	1	ORIFICE PLUG 6101015		PLUG ORIFICE
PLG4	1	ORIFICE PLUG 6101015		PORT PLUG
ORF2	1	PORT PLUG 6103004		PLUG ORIFICE
FTG1	2	ORIFICE PLUT 6101022		FITTING
FTG2	2	FITTING 4160065	374017000	FITTING
FTG3	2	FITTING 6114010	241175000	FITTING
FTG4	2	FITTING 4160066	330645000	FITTING
FTG5	1	FITTING 6114090	367145000	FITTING
FTG6	1	FITTING 4160014	490199000	FITTING
FTG7	2	FITTING 6114014	480195000	FITTING
FTG8	1	FITTING 4160038	369127000	FITTING
FTG8	1	FITTING 4160106	330348000	FITTING
NOT SHOWN	21	PLUH 6108080		PLUG ORIFICE
BLK	1	BLOCK 72XXXXXX		BLOCK

ITEM	QTY	VENDOR	A/C NUMBER	DESCRIPTION
SV6	1	COMMAND CONTROLS	366818902	UNLOAD VALVE
SV1, SV2	2	PARKER	366818901	CART VALVE
CL2	2	PARKER	366823901	HOIST COILS
CL2	1	COMMAND CONTROLS	366818903	UNLOAD COIL

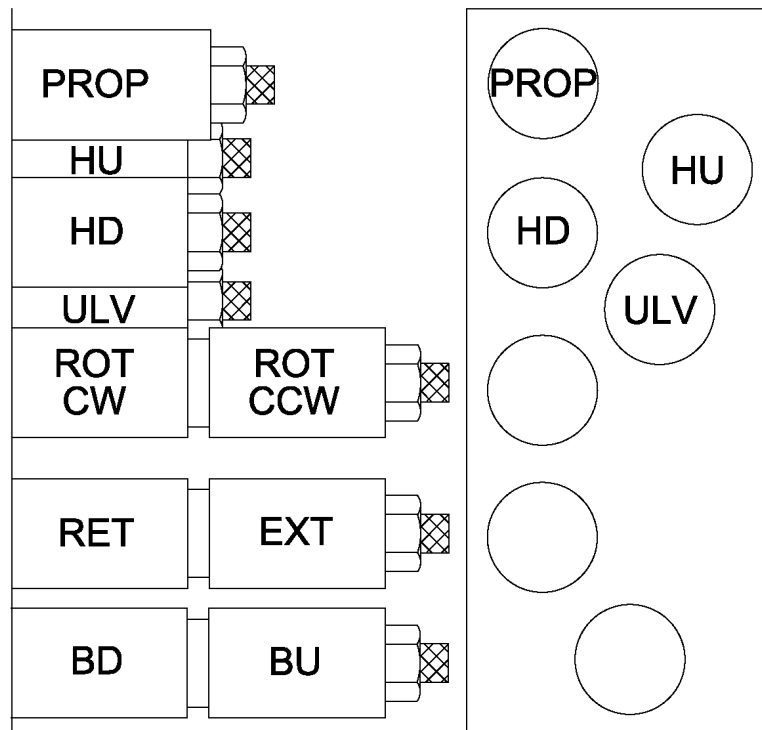
\*Parker uses small black plastic coil with metal sleeve and has a gold manual override

\*\*Command controls uses a large black plastic coil with a push in override

\*\*\* Hydraforce uses round metal coils with red manual overrides

# HC-7

## VALVE OVERRIDE OPERATION



## DIRECTIONAL CONTROL VALVE IDENTIFICATION

In the event that the electrical control system fails the crane can be operated using the manual overrides on the hydraulic control valve.

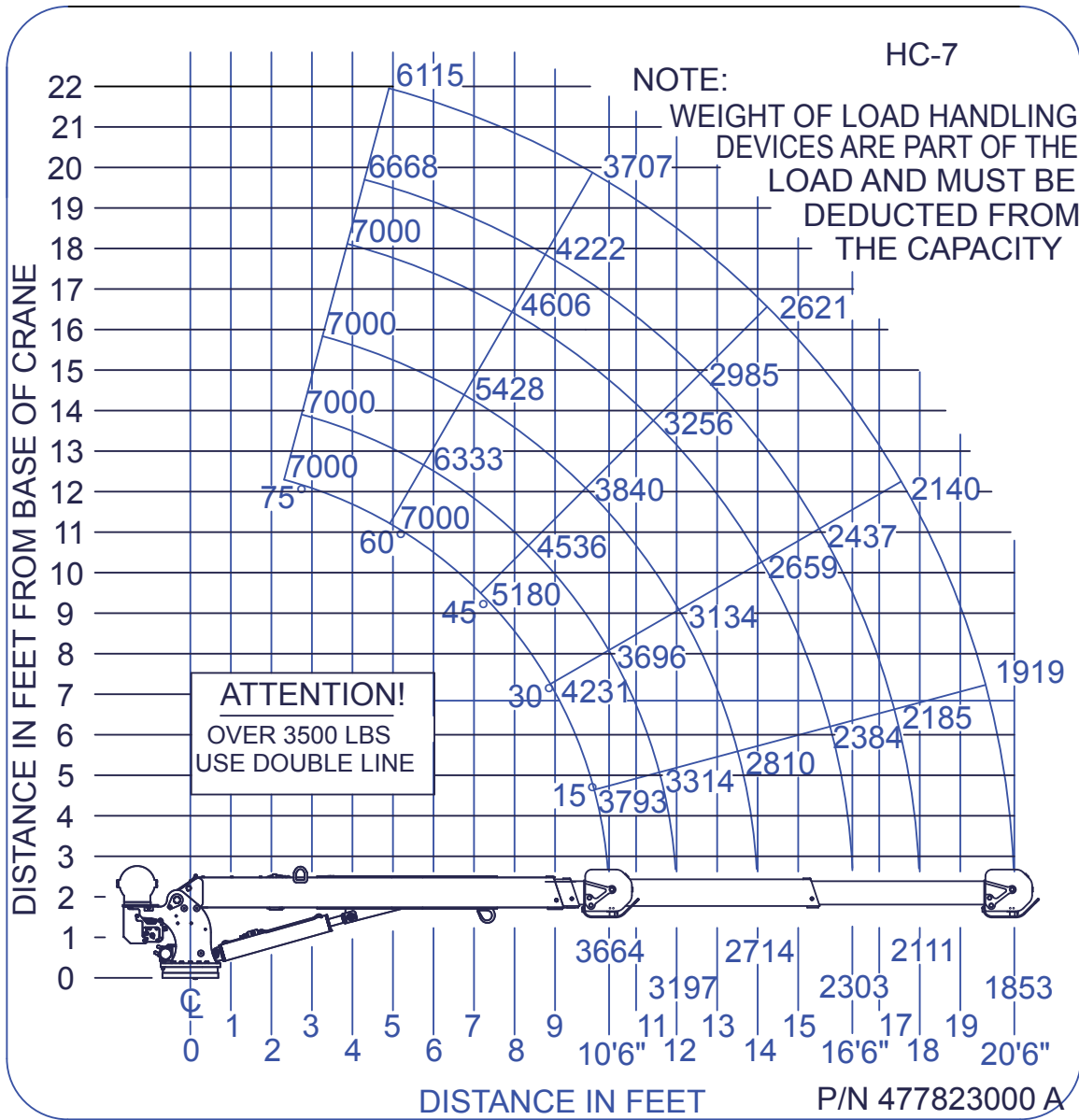
The overrides operate as follows:

1. Proportional – increase flow by turning clockwise.
2. Extend/Retract, Boom Up/Down, Rotate CW/CCW – push to operate boom down, pull to operate boom up etc. See graphics above.
3. Unload Valve – Push in to operate.
4. Hoist Up/Down Valve – Push in to operate (Red override-Hydraforce), Twist to release (Gold override-Parker).
5. Proportional – increase flow by turning clockwise.
6. Extend/Retract, Boom Up/Down, Rotate CW/CCW – push to operate boom down, pull to operate boom up etc. See graphics above.
7. Hoist Up/Down, Unload Valve – Push in to operate.

Note: To manually activate a function the crane with no electrical power, you must first turn manual override on proportional clockwise then push in the unload valve while pushing or pulling the function you want to activate.

# HC-7 LOAD CHART

P/N 477823000





P.O. Box 580697 \* Tulsa, OK 74158-0697  
4707 N. Mingo Rd. \* Phone (918) 438-2760

## LIMITED WARRANTY 1 YEAR PURCHASED REPLACEMENT PARTS

Auto Crane will warranty to the consumer for a period of (1) year from the date that a new Auto Crane replacement part was purchased from an authorized Auto Crane distributor. Each new Auto Crane part they sell will be free under normal use and service from defects in material and workmanship. Date of purchase will be honored as the date indicated on the Bill of Sale to the consumer.

The obligation of Auto Crane under this warranty does not apply to parts replaced under the limited warranty for a new Auto Crane product. The warranty for parts replaced under the limited warranty of a new Auto Crane product expires when the warranty for that product expires.

The obligation of Auto Crane under this warranty is limited to the replacement or repair of purchased replacement parts that appear to the manufacturer to be defective after review of documentation (Auto Crane Warranty Claim Form, photos, data, etc.) provided by the Auto Crane distributor and/or inspection of parts returned to Auto Crane. This warranty does not obligate Auto Crane to bear labor costs to replace the defective parts or travel time charges in connection with the replacement or repair of defective parts. Responsibility for customer's claims arising from misapplication, abuse, misuse or alteration of equipment or parts lies with the distributor or user and no warranty obligation is assumed in these circumstances by Auto Crane.

Auto Crane will in no event be liable for any consequential damages or contingent liabilities arising out of the failure of any Auto Crane product or parts to operate properly.

Auto Crane makes no warranty in respect to parts for component accessories, it being subject to the warranties of their respective manufacturers.

If field service, at the request of the distributor, is rendered and fault is found not to be with Auto Crane's product, the distributor shall pay the time and expense of the field representative.

Claims for service labor or other expenses that have incurred by the buyer without approval or authorization or Auto Crane will not be accepted.

When applying for warranty, claims may be handled by contacting your nearest authorized Auto Crane **Distributor**. **All claims are to be filed in writing on an Auto Crane Warranty Claim Form.**



P.O. Box 580697 \* Tulsa, OK 74158-0697  
4707 N. Mingo Rd. \* Phone (918) 836-0463

## LIMITED WARRANTY 2 YEAR PARTS AND LABOR

Auto Crane will warranty to the consumer for a period of (2) years parts and labor from the date of purchase. Each new Auto Crane unit they sell will be free under normal use and service from defects in material and workmanship. Date of purchase will be honored as the date indicated on the Bill of Sale, which must accompany the Warranty Registration and be on file with Auto Crane. Absent a valid Warranty Registration and appropriate documentation, the original date of manufacture, as indicated by the serial number on the product, will be used to determine the effective date of the 2 year warranty.

The obligation of Auto Crane under this warranty is limited to the replacement or repair of parts that appear to the manufacturer after review and/or inspection to be defective and paid flat rate labor for replacing defective parts. This warranty does not obligate Auto Crane to bear the travel time charges in connection with the replacement or repair of defective parts. Responsibility for customer's claims arising from misapplication, abuse, misuse or alteration of equipment or parts lies with the distributor or user and no warranty obligation is assumed in these circumstances by Auto Crane.

Auto Crane will in no event be liable for any consequential damages or contingent liabilities arising out of the failure of any Auto Crane Product or parts to operate properly.

Auto Crane makes no warranty in respect to component accessories, it being subject to the warranties of their respective manufacturers.

If field service, at the request of the distributor, is rendered and fault is found not to be with Auto Crane's product, the distributor shall pay the time and expense of the field representative.

Claims for service labor or other expenses that have incurred by the buyer without approval or authorization or Auto Crane will not be accepted.

When applying for warranty, claims may be handled by contacting your nearest authorized Auto Crane **Distributor**. **All claims are to be filed in writing on an Auto Crane Warranty Claim Form.**

**AUTO CRANE COMPANY IS UNDER NO OBLIGATION TO EXTEND THIS WARRANTY TO ANY CUSTOMER FOR WHICH AN AUTO CRANE DELIVERY REPORT FORM HAS NOT BEEN COMPLETED AND ON FILE WITH AUTO CRANE COMPANY**

*Note: This manual should remain with the crane at all times.*

***Auto Crane will not assume responsibility or liability for any modifications or changes made to unit, or installation of component parts without authorization.***

**Auto Crane Company issues a limited warranty certificate with each unit sold. See last page for warranty.**



