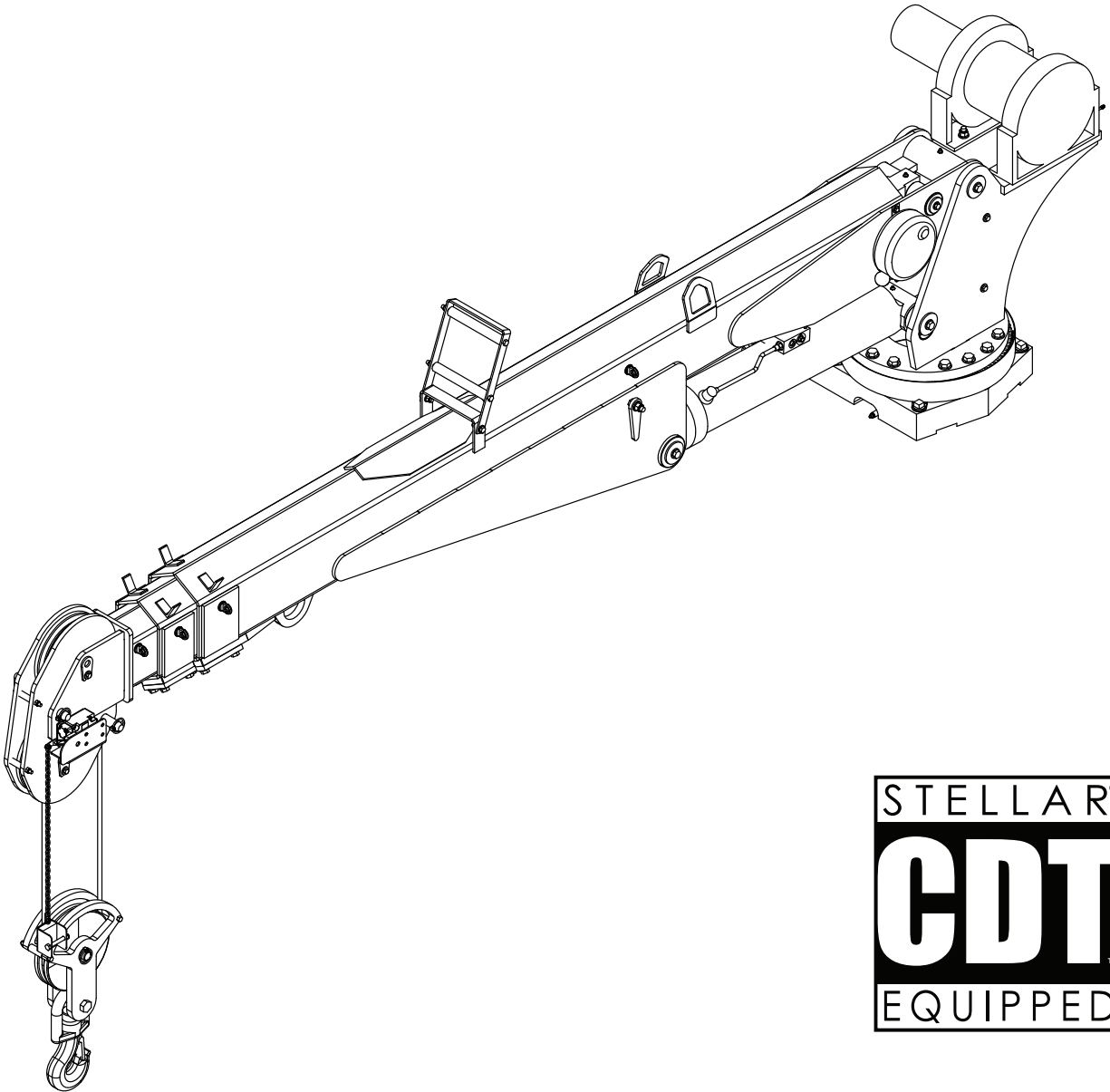




MODEL 7628

TELESCOPIC CRANE OWNERS' MANUAL

Safety • Operation • Maintenance • Installation • Parts



Stellar Industries, Inc.

190 State Street

PO Box 169

Garner, IA 50438

800-321-3741

Fax: 641-923-2811

www.stellarindustries.com

Subject to Change without Notification.
© 2010 Stellar Industries, Inc.

Last Revision: 02/11/10

7628 Manual Revisions

Date of Revision	Section Revised	Description of Revision

Table of Contents

<i>Introduction</i>	ii
Chapter 1 - Safety	1
Crane Controls	3
Chapter 2 - Operation	5
Unit Operation Overview	5
6 Function CDT Remote	6
CDT Remote Feedback	7
Overload Shutdown	7
Boost Mode	7
Entering Boost Mode	7
Receiver/Transmitter Identification Tag	8
Synchronizing the Receiver and Transmitter	8
Manual Operation	9
Operator Information	10
Chapter 3 - Maintenance	11
Lubrication Recommendations	13
Wire Rope Maintenance	14
Torque Data Chart	15
Inspection Checklist	16
Daily Inspection	17
Monthly Inspection	18
Quarterly Inspection	19
Annual Inspection	21
Inspection Notes	22
Chapter 4 - Specifications	23
Capacity Chart - Decal PN 55114	24
Chapter 5 - Decals	25
Decals of Note	25
Decal Placement 54970	29
Chapter 6 - Installation	31
Installation Overview	32
Stability Procedure	33
Stability Capacity Chart	34
Chapter 7 - Assembly Drawings	35
Base Assembly - PN 50364	35
Mast Assembly - PN 54790	36
Main Boom - PN 54960	37
Extension Boom Assembly - PN 55120	38
Extension Boom Assembly Flip Sheave - PN 54963	39
Main Cylinder Assembly - PN 54961	40
Extension Cylinder Assembly - PN 50929	41
Cable & Hook Assembly - PN 54962	42
Wire Rope/Sheave Configurations	43
Chapter 8 - Hydraulics - Electrical	45
Control Kit - PN 54968	45
Control Kit (Flip Sheave Version) - PN 54967	46
Hydraulic Kit - PN 52264	47
Valve Bank - PN 52265	48
Hydraulic Installation	49
Winch Case Drain Installation	50
Hydraulic System	51
Chapter 9 - Replacement Parts	53
Chapter 10 - Troubleshooting	55
CDT Hetric Radio Remote Troubleshooting	57
<i>Warranty Information</i>	58

Introduction

Stellar Cranes are designed to provide safe and dependable service for a variety of operations. With proper use and maintenance, these cranes will operate at peak performance for many years.

To promote this longevity, carefully study the information contained in this manual before putting the equipment into service. Though it is not intended to be a training manual for beginners, this manual should provide solid guidelines for the safe and proper usage of the crane.

Once you feel comfortable with the material contained in this manual, strive to exercise your knowledge as you safely operate and maintain the crane. This process is vital to the proper use of the unit.

A few notes on this manual:

A copy of this manual is provided with every crane and can be found in the hard plastic manual case that is installed on the chassis. This manual shall remain with the crane at all times.

Information contained within this manual does not cover all maintenance, operating, or repair instructions pertinent to all possible situations.

Please be aware that some sections of this manual contain information pertaining to Stellar manufactured cranes in general and may or may not apply to your specific model.

This manual is not binding. Stellar Industries, Inc. reserves the right to change, at any time, any or all of the items, components, and parts deemed necessary for product improvement or commercial/production purposes. This right is kept with no requirement or obligation for immediate mandatory updating of this manual.

In closing:

If more information is required or technical assistance is needed, or if you feel that any part of this manual is unclear or incorrect, please contact the Stellar Customer Service Department by phone at 800-321-3741 or email at service@stellarindustries.com.

ATTENTION
Failure to adhere to the instructions could result in property damage or even serious bodily injury to the operator or others close to the crane.

**For Technical Questions, Information, Parts, or Warranty, Call Toll-Free at
800-321-3741**

Hours: Monday - Friday, 8:00 a.m. - 5:00 p.m. CST

Or email at the following addresses:

Technical Questions, and Information

service@stellarindustries.com

Order Parts

parts@stellarindustries.com

Warranty Information

warranty@stellarindustries.com

Chapter 1 - Safety

Please Read the Following Carefully! This portion of the manual contains information regarding all Stellar manufactured cranes. Some items contained within this chapter may not apply to your specific equipment.

Safety should be the number one thought on every operator's mind. Three factors should exist for safe operation: a qualified operator, well-maintained equipment, and the proper use of this equipment. The following information should be read and understood completely by everyone working with or near the crane before putting the unit into operation.

Please take note that Stellar Industries, Inc. is not liable for accidents incurred by the crane because of non-fulfillment from the operator's side of current rules, laws, and regulations.

GENERAL

It is the responsibility of the owner to instruct the operator in the safe operation of your equipment and to provide the operator with properly maintained equipment.

Trainees or untrained persons shall be under the direct supervision of qualified persons.

Do not operate equipment under the adverse influence of alcohol, drugs, or medication.

PERSONAL SAFETY

Keep clear of all moving parts.

Always wear the prescribed personal safety devices.

Always wear approved accident-prevention clothing such as: protective helmets, anti-slip shoes with steel toes, protective gloves, anti-noise headphones, protective glasses, and reflective jackets with breathing apparatus. Consult your employer regarding current safety regulations and accident-prevention equipment.

Do not wear rings, wristwatch, jewelry, loose-fitting or hanging clothing such as ties, torn garments, scarves, unbuttoned jackets or unzipped overalls, which could get caught up in the moving parts of the crane.

Keep a first-aid box and a fire extinguisher readily available on the truck. Regularly check to make sure the fire extinguisher is fully charged and the first-aid kit is stocked.

Do not use controls and hoses as handholds. These parts move and cannot provide stable support.

Never allow anyone to ride the crane hook or load.

MAINTENANCE SAFETY

Never modify or alter any of the equipment, whether mechanical, electrical, or hydraulic, without explicit approval from Stellar Industries.

Do not perform any maintenance or repair work on the crane unless authorized and trained to do so.

Release system pressure before attempting to make any adjustments or repairs.

Do not attempt service or repair when the PTO is engaged.

Failure to correctly plumb and wire the crane can cause a malfunction and damage to the crane and/or operator.

Decals are considered safety equipment. They must be maintained, as would other safety devices. Do not remove any Decals. Replace any Decals that are missing, damaged, or not legible.

The safety instruction plates, notices, load charts and any other sticker applied to the crane or service body must be kept legible and in good condition. If necessary, replace them.

STABILITY

Know the crane components and their capabilities and limitations. Overloading the crane may result in serious injury to self and others, and damage to the equipment and immediate surroundings.

Never exceed manufacturer's load ratings. These ratings are based on the machine's hydraulic, mechanical, and structural design rather than stability.

The supporting surface under the service truck must be able to support the weight of the machine and its load. Use outrigger pads if necessary.

Park the vehicle on level ground and extend the outriggers fully out and then down.

Keep feet and legs clear when lowering outrigger jacks.

Never operate the crane without making sure the outriggers are positioned on stable, flat ground.

Set the parking brake and disengage the drive axle before attempting a lift.

LOAD SAFETY

Operate the crane in compliance with the load capacity chart at all times. Know the weight of the load being lifted. Do not rely on the overload device to determine maximum rated loads. If the crane is picking more than the maximum rated load, the overload protection device may be malfunctioning. Discontinue use immediately and contact Stellar Customer Service for support.

Never use a sling bar or anything larger than the hook throat that could prevent the hook latch from closing. This would negate the safety feature.

Do not apply side loads to the booms.

Do not leave a crane load suspended or unattended.

Do not walk under suspended loads.

Do not position any load over a person nor should any person be permitted to place him or herself under a load.

Do not use the boom or the winch to drag a load.

Do not use the crane boom to push downward onto anything.

ELECTROCUTION

Allow extra space for swaying power lines in windy conditions.

Keep a minimum of ten feet between any portion of the crane and an electrical line. Add an additional 12" for every additional 30,000 Volts or less.

Remember - Death or serious injury can occur when working near power lines or during electrical storms.

Use a signal person when operating near electrical sources.

ENVIRONMENT

Do not operate the crane during electrical storms.

In extreme cold, allow adequate time to warm the truck before engaging the PTO. Do not rev the truck engine and over speed the hydraulic pumps as permanent damage to the pumps may occur. Follow the vehicle owner's manual regarding operating the vehicle in such adverse conditions.

In dusty work areas, every effort must be taken to keep dust and sand out of the moving parts of the machinery.

In high humidity work areas, keep parts as dry as possible and well lubricated.



Crane Controls

1. Be familiar with the sequence and operation of the crane controls.
2. Each individual crane function should have control function decals. Replace them immediately if they are missing or illegible.
3. Keep hands, feet, and control levers free from mud, grease, and oil.
4. Be familiar with the remote control and how it operates before attempting to lift a load.
5. Be prepared before beginning operation of the crane:
 - All protective guards must be in place.
 - Be aware of the surroundings: low branches, power lines, unstable ground.
 - Be sure all safety devices provided are in place and in good operating condition.
 - Be prepared for all situations. Keep fire extinguisher and first aid kit near.
 - Be sure all regular maintenance has been performed.
 - Visually inspect all aspects of the crane for physical damage.
 - Check for fluid leaks.
 - Make sure the outriggers are down and stable.

ATTENTION

Stellar Industries, Inc. is not liable for accidents incurred by the crane because of the operator's non-fulfillment of current rules, laws and regulations.

Chapter 2 - Operation

This chapter contains information regarding the operation of Stellar manufactured telescopic cranes. Please study the following pages to ensure your familiarity with the operation process. This understanding is vital to the safe and efficient operation of the crane.

Unit Operation Overview

1. Engage the PTO
2. Turn on Power to Crane
3. Position Outriggers
4. Operate Crane
5. Store Outriggers
6. Turn Off Power to Crane
7. Disengage the PTO

Job-Site Set-Up

Thoroughly plan the lift before positioning the vehicle. Consider the following:

1. The vehicle should be positioned in an area free from overhead obstructions to eliminate the need for repositioning.
2. Position the vehicle so that it is impossible for any portion of the equipment to come within the minimum required safe distance of any power line. Maintain a clearance of at least 10 feet between any part of the crane, load line, or load, and any electrical line or apparatus carrying up to 50,000 volts. One foot additional clearance is required for every additional 30,000 volts or less. Remember to allow for winds that cause power lines to sway. It is recommended that a signal person be used when the vehicle is set-up near power lines.
3. The vehicle should also be positioned on a firm and level surface that will provide adequate support for the outrigger loading. Use extreme caution when setting up near overhanging banks or excavations.
4. The parking brake must be set on the vehicle and the drive axle disengaged before performing a crane operation.
5. The outriggers must be extended to stabilize the truck before beginning operation.

1. Engage the PTO

- A. Engage the parking brake.
- B. Place the transmission in the Neutral position.
- C. Make certain the PTO switch is in the 'off' position.
- D. Start the vehicle engine.
- E. Depress the clutch on manual transmission vehicles.
- F. Engage the PTO switch for cable and air type shifters. Turn on the dash switch for electrical operated style. Consult vehicle owner's manual for location and operation of OEM style in-dash PTO switch.
- G. Slowly release the clutch on a manual transmission vehicle.
- H. Allow a few moments to warm the hydraulic system oil. In cold weather, it is especially important to let the system run for a few minutes before operating.

2. Turn on Power to Crane

Activate power to the crane and outriggers. The power switch is located on the control panel in the vehicle cab.

3. Position Outriggers

Once the PTO is engaged, extend the outriggers using the control levers or switches marked 'outrigger'. These may be located on the crane base or in the compartment under the crane.

6 Function CDT Remote



NOTE: The radio control is an electrical device. Please handle with care!

4. Operate Crane

- A. Turn on necessary power to the crane.
- B. Activate toggle switch for desired crane function.
- D. Activate the variable speed trigger to control the desired function.
- E. When operation is complete, store remote handle in a safe, dry location.

5. Store Outriggers

Retract outriggers using the control levers or switches marked 'outrigger'.

6. Turn Off Power to Crane

Deactivate power to crane and outriggers.

7. Disengage the PTO

- A. On manual transmission vehicles, depress the clutch pedal completely.
- B. Disengage the PTO switch.
- C. If vehicle is a manual transmission, release the clutch pedal gradually.

Variable Speed Trigger on remote

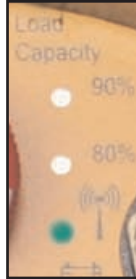


The crane should not function until the trigger has been activated. The speed of the crane will vary in direct correlation with how much or how little the trigger is engaged.

CDT Remote Feedback

Normal

LEDs: Green Steady
Vibration: None
System Function: Normal



100% Capacity

LEDs: Green Steady, Yellow and Red Alternate Flashing
Vibration: Long Pulsing
System Function: Overload Shutdown.

80% Capacity

LEDs: Green Steady, Yellow Flashing
Vibration: Short Pulsing
System Function: Normal



90% Capacity

LEDs: Green Steady, Yellow and Red Flashing
Vibration: Long Pulsing
System Function: Normal



Note: See section below for information regarding the Overload Shutdown and Boost Mode.

Entering Boost Mode

Overload Shutdown

When the crane reaches 100% capacity, an overload shutdown will be initiated. The operator will need to engage boost mode.

Boost Mode

Follow the steps below to enter boost mode:

1. Press and hold the Boost Button for 5 seconds.



2. The crane will go from the 'standard mode' to boost mode' for 30 seconds.

3. During this minute, the capacity of the crane is increased to 118% of standard capacity.

Note: Boost Mode can be reset multiple times after a 15 second delay.

See Chapter 10 of this manual for information regarding troubleshooting the Stellar® CDT Remote System.

ATTENTION

If the 118% capacity boost is not enough to temporarily suspend the overload shutdown, the operator will need to set the load down and reposition the truck.

Synchronizing the Receiver and Transmitter

If the receiver and transmitter are not communicating, use the following procedure to re-synchronize the unit:

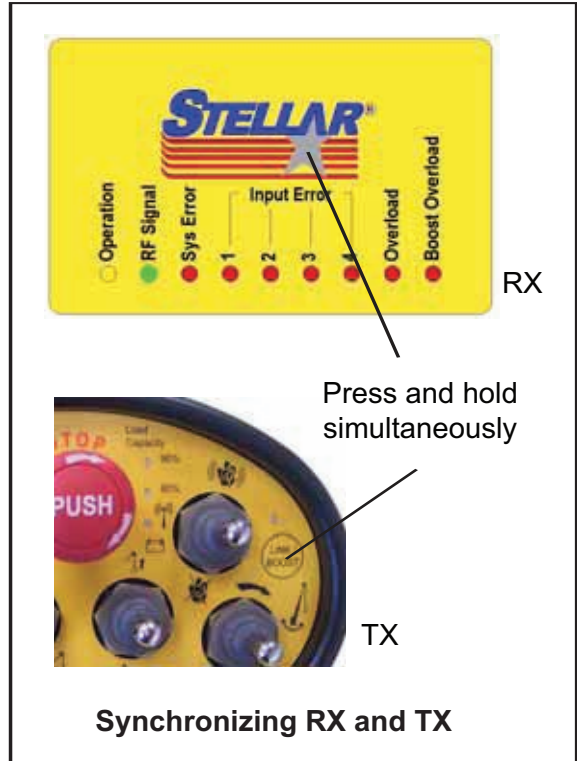
SYNCHRONIZING THE RECEIVER AND TRANSMITTER ADDRESS AND CHANNELS

1. Press and hold the **START** switch on the transmitter while pressing and holding the **Learning Function** button on the receiver.

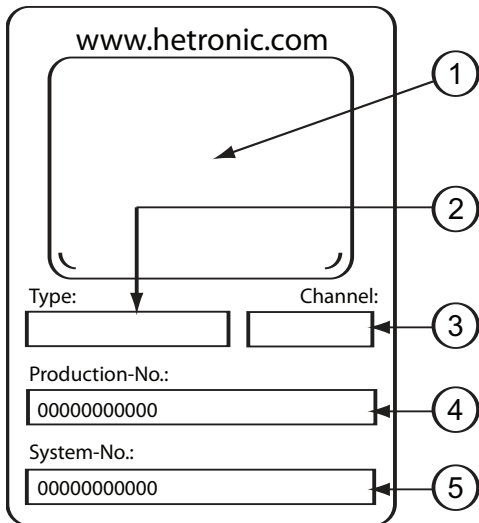
NOTE: The star in the Stellar logo is the **Learning Function** button.

2. Release the Start switch and Learning Function button when the green RF Signal LED on the receiver stops blinking.

Your receiver and transmitter are synchronized and ready to use.



Receiver/Transmitter Identification Tag



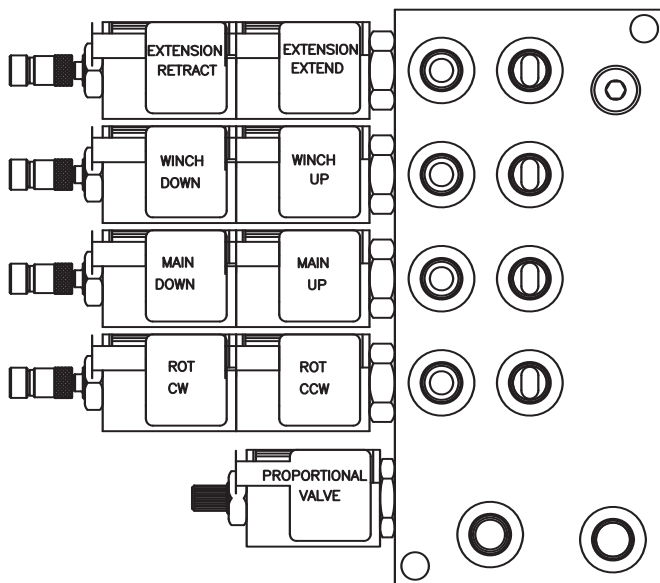
Unit Label Areas and Meanings

1. Specific approvals, such as BTZ, FCC, CE, etc.
2. Type of transmitter or receiver.
3. Frequency and RF unit.
4. Eleven-digit Production Number.
5. Eleven-digit System Number.

Manual Operation

If the remote control malfunctions, follow these steps to operate the crane manually:

- 1. Activate Flow Control.** Turn the override screw on flow control counter-clockwise. Full adjustment is between three and five turns.
- 2. Operate Solenoids.** Slide the knurled sleeve out and then push or pull to operate, as shown below. Be sure the sleeve is in the center, locked, position before returning to remote operation.
- 3. Deactivate Flow Control.** Turn the override screw clockwise until stopped. Full adjustment is between 3 and 5 turns.
- 4. Have unit serviced immediately to restore remote control functionality.**



Manual Override Pull Function

The knurled sleeve is pulled all the way out together with the knob to manually override the pull solenoid function.



Manual Override Push Function

The knurled sleeve should first be pulled to unlatch the ball latching mechanism and then, while holding the sleeve back, the override knob should be pushed all the way in to override the push solenoid.

WARNING

Failure to return the valve bank manual overrides to the neutral position can result in unexpected crane movement.

Crane Precautions

1. Movement of the control levers should be slow and smooth to meter oil flow for safe operation. Avoid jerky and sudden movements.
2. The crane controls should be clearly marked with decals. If these are missing or illegible, replace immediately. (See Chapter 5: Decals)
3. Lift load slightly off the ground to check the safety of the cargo. Do not use stability to determine the safety. Consult the capacity charts and strictly adhere to them.
4. Be constantly aware of the boom position when operating the controls.
5. The boom tip should be centered directly over the load before making the lift to avoid swinging.
6. Do not drag loads with the crane.
7. Do not attempt to lift fixed loads.
8. Do not load boom in a sideways direction.
9. Know the weight of the rigging and load to avoid overloading the crane.
10. Do not extend or rotate a load over anyone.
11. Wear protective gear such as hard hat, safety glasses, steel-toed boots, and gloves.
12. Maintain a minimum of 5 full wraps of wire rope on the winch drum at all times.

Hook Precautions

1. Hooks are designed and manufactured to lift specific loads. The specified rated load of a hook applies to loads held uniformly in direct tension and does not take into account shock loads, hook tip loading, side loading, bending, torsional, or related loads.
2. Do not attempt to lift a load that is larger than the load rating of the hook.
3. Never use a hook's yield point as an indicator of its capacity.
4. Do not use a hook to lift personnel.
5. Know the rated load of the hook in use.
6. Never weld attachments to a finished hook in field applications. This will alter and destroy the design properties of the hook material.
7. Keep fingers, hands, body, and loose clothing from between the hook and the load.
8. Avoid shock loading.
9. Inspect the hook regularly for excessive wear and maintain it in safe operating condition.

Operator Information

OPERATOR REQUIREMENTS

- 1. Operation is limited to the following people:**
 - A. Designated individual.
 - B. Trainees under direct supervision of the designated individual.
 - C. Test or maintenance individual.
 - D. Crane Inspector.

- 2. Operators must meet the following physical qualifications:**
 - A. Vision of at least 20/30 Snellen in one eye and 20/50 in the other, with or without corrective lenses.
 - B. Ability to distinguish colors if color differentiation is required.
 - C. Adequate hearing, with or without a hearing aid.
 - D. No physical or emotional defects that may create a hazard to the operator or others.
 - E. Normal depth perception and coordination.

- 3. In addition to the physical qualifications, Operators must:**
 - A. Demonstrate the ability to understand all decals, the owner's manual, and any other information required for safe operation of the crane.
 - B. Be able to demonstrate the ability to safely control the crane.
 - C. Know all safety regulations.
 - D. Be responsible for maintenance requirements.
 - E. Understand and be fully capable of implementing all emergency procedures.
 - F. Understand the operating procedures as outlined by this manual, ANSI B30.5, and Federal/State Laws.

OPERATOR CONDUCT

1. Operators will not engage in any operation that would cause them to divert attention away from the operation of the crane.
2. Operators are responsible for all operations under their direct control.
3. Operators will not leave a suspended load unattended.
4. Operators will be familiar with the equipment and the maintenance required for proper care.

HANDLING THE LOAD

- 1. Size of the load:**
 - A. Do not load the crane beyond the rated capacity.
 - B. It is the responsibility of the operator to know the weight of the handled load.

- 2. Attaching the load:**
 - A. Attach the load to the hook by means of slings or other approved devices.
 - B. Do not wrap the hoist rope around the load.

- 3. Moving the load:**
 - A. Make certain that the crane is level and properly blocked.
 - B. Ensure that the load is secure and balanced within the sling before moving it.
 - C. Be sure that the crane is stable before moving the load. Use stabilizer pads to ensure the proper distribution of weight.
 - D. Do not drag the load sideways.
 - E. Make sure the hook is brought over the load to minimize swinging.
 - F. No suspended load should pass over a person.
 - G. Avoid sudden starts and stops when moving a load.

Chapter 3 - Maintenance

WARNING - Read the Following before performing any maintenance on the crane.

1. Only authorized service personnel are to perform maintenance on the crane.
2. Disengage the PTO before any service or repair is performed.
3. Do not disconnect hydraulic hoses while there is still pressure in those components.
4. Before disconnecting hydraulic components, place the boom on the ground or have it supported, shut off the engine, release any air pressure on the hydraulic reservoir, and move pedals and control levers repeatedly through their operating positions to relieve all pressures.
5. Keep the crane and service body clean and free from grease build-up, oil and dirt to prevent slippery conditions.
6. Perform all safety and maintenance checks before each period of use.
7. Replace parts with Stellar Industries, Inc. approved parts only.
8. Immediately repair or have repaired any components found to be inadequate.

Maintenance Procedures

1. Position the crane where it will be out of the way of other operations or vehicles in the area.
2. Be sure boom is lowered to the ground or otherwise secured from dropping.
3. Place all controls in the off position and secure operating features from inadvertent motion.
4. Disconnect power source.
5. Relieve hydraulic oil pressure from all hydraulic circuits before loosening or removing hydraulic components.
6. Label or tag parts when disassembling.

Daily Inspection

Daily Inspection should occur each day before the crane is put into use. Each day, inspect the crane for all of the following:

1. Hydraulic oil level.
2. Loose parts or damage to structures or weld.
3. Cylinder movement due to leakage.
4. Hoses and gearboxes for evidence of oil leaks.
5. Controls, including hand throttle for malfunction or adjustment.
6. Truck hand brake operation.
7. All securing hardware such as cotter pins, snap rings, hairpins, and pin keepers for proper installation.
8. All safety covers for proper installation.
9. Cylinder holding valves for proper operation.
10. Wire rope for broken wires, extensive wear, distortion, and heat damage.

Periodic Inspection

Periodic Inspection should occur while the crane is in use. For the duration of the usage, inspect the crane for all of the following:

1. Loose bolts and fasteners.
2. All pins, bearings, shafts, and gears for wear, cracks, or distortion to include all pivots, outriggers, sheave pins, and bearings.
3. Hydraulic systems for proper operating pressure.
4. Main frame mount bolts.
5. Cylinders for:
 - A. Damaged rods.
 - B. Dented barrels.
 - C. Drift from oil leaking internally.
 - D. Leaks at rod seals or holding valves.
6. PTO drive line system for proper alignment, lubrication, and tightness.
7. Hydraulic hose and tubing for evidence of damage such as blistering, crushing, or abrasion.

Weekly Inspection

Weekly Inspection should occur at the beginning of every work week. Each week, inspect the crane for all of the following:

1. Lubrication of points required by lubrication chart located in this chapter.
2. Proper operation of load hook safety latch.
3. Presence of this owner's manual.

Monthly Inspection

Monthly Inspection should occur at the beginning of every work month. Each month, inspect the crane for all of the following:

1. Frame bolt tightness - turn barrel nuts and mounting bolts during the first month of operation on new machines and then quarterly thereafter.
2. Cylinders and valves for leaks.
3. Lubrication.
4. Load hook for the following:
 - a. Cracks or having more than 5% normal throat opening.
 - b. Any visible bend or twist from the plane of the unbent hook.
5. Structural members for bends, cracks, or broken members.
6. All welds for breaks and cracks.
7. All pins and keepers for proper installation.
8. All control, safety, and capacity placards for readability and secure attachment.
9. Inspect all electrical wires and connections for worn, cut, or deteriorated insulation and bare wire. Replace or repair wires as required.
10. Tightness of all boom wear, pad-retaining bolts.

Service

The following general suggestions should be helpful in analyzing and servicing your crane. Using the following systematic approach should be helpful in finding and fixing problems:

1. Determine the problem.
2. List and record possible causes.
3. Devise checks.
4. Conduct checks in a logical order to determine the cause.
5. Consider the remaining service life of components against the cost of parts and labor necessary to replace them.
6. Make the necessary repair.
7. Recheck to ensure that nothing has been overlooked.
8. Functionally test the new part in its system.

Important: Prior to washing the Stellar crane, the radio remote receiver located on the crane mast must be covered to prevent any water from entering the plastic housing. Avoid any direct water pressure to the radio remote receiver.

Inspection Checklist

For a more detailed outline of scheduled inspection points, refer to the Stellar Inspection Checklist at the end of this chapter. This list is an excellent guide for the inspection tasks that will help maintain the quality of your Stellar product. Feel free to photocopy the checklist as needed.

Stellar Industries recommends the first filter change to occur after the first 250 hours of service.* The second, and every subsequent change, should occur after every 1,000 hours of service. By following these guidelines, the hydraulic oil should last up to 6,500 hours.

*Note: These recommendations are based on normal working parameters. If operating in less than favorable conditions (excessive dust, moisture, etc.), be sure to check the filter gauge often for filter change notice.

ATTENTION

Every six (6) months, remove the hydraulic pump from the PTO and lubricate the splines using Chelsea Lubricant #379831 or Stellar PN 20885. Failure to lubricate shaft splines will cause damage to the PTO and Hydraulic pump.

Lubrication Recommendations

Component	Location	Recommendation
Engine	Crankcase	Apply Manufacturer's Recommendations
Hydraulic System Below -5°F -5°F to 90°F Above 90°F	Reservoir	Petro-Canada Arctic MV 15 (ISO 22) Petro-Canada HYDREX 32 (ISO 32) Petro-Canada HYDREX 46 (ISO 46)
Open Gears	Hand	Precision XL3 Moly EP 2 (NLGI 2 grease with moly)
Bearings, grease (including turntable bearing inner race)	Gun	Precision XL EP 2 (NLGI 2)
Worm Drive Gearbox	Gearbox	Precision Synthetic EP 00 (NLGI 00)
Planetary Gearbox (including winch)	Gearbox	Traxon Synthetic 75W-90 (API GL-5)
Wear Pad Lubrication	Spray	Gearshield NC
Compressor Fluids		
Reciprocating Single Stage Reciprocating Double Stage	Crankcase Crankcase	Compro 100 (ISO 100) Compro 100 (ISO 100)
Screw -15°F to 86°F -23°F to 100°F 32°F to 113°F	Crankcase	Compro XL-S 32 (ISO 32) Compro XL-S 46 (ISO46) Compro XL-S 68 (ISO68)

Greasing the Crane

Lubricate all grease gun points with
Extreme Pressure Grease - Stellar P/N: 22059.

Wire Rope Maintenance

Wire Rope Inspection Points

While inspection of the entire rope is required, attention should be directed to these critical points:

1. **Pick-up Points** for signs of wear due to stress from repeated lifts.
2. **End Attachments** for corrosion and broken wires at both ends of the rope.
3. **Drums** for signs of corrugation and wear that may lead to wire damage.
4. **Sheaves** to ensure that each sheave has the proper groove size and contour.
5. **Abuse Points** for heavy amounts of scuffing and scraping.

It is important to perform detailed inspections of all ropes associated with the crane. These inspections can be divided into two types:

1. Frequent Inspection

- A. All running ropes should be inspected once each working day. These visual observations will be concerned with discovering damage that may be an immediate hazard. The following concerns should be addressed:
 1. Distortion of the rope.
 2. General corrosion.
 3. Broken or cut strands.
- B. Use caution while inspecting sections of rapid deterioration.
- C. Use caution while inspecting boom hoist ropes. Proper inspection is critical but difficult.

2. Periodic Inspection

- A. Inspection frequency will be determined by a qualified person and will be based on such factors as expected rope life, environment conditions, capacity of typical lifts, rates of usage, and exposure to shock loads. Periodic inspection needs to be performed at least annually.
- B. Periodic inspections will be performed by a qualified individual and will cover the entire length of the rope. Only the

surface wires of the rope need to be inspected. This inspection will be concerned with discovering damage that may be an immediate hazard. The following concerns should be addressed:

1. Distortion of the rope.
 2. General corrosion.
 3. Broken or cut strands.
 4. Reduction of rope diameter.
 5. Corroded or broken wires at end connections.
 6. Corroded, cracked, bent, worn, or improperly applied end connections.
- C. Use caution when inspecting the following:
1. Sections in contact with saddles, equalizer sheaves, or other sheaves where rope travel is limited.
 2. Sections of the rope at or near ends with corroded or broken wires.

Wire Rope Replacement

Rope replacement guidelines are as follows:

1. Broken wires, including standing ropes with more than two broken wires in one lay or more than one broken wire at an end connection.
2. Wear of one-third the original diameter of the outside wires.
3. Distortion of the rope structure.
4. Evidence of heat damage.
5. Reductions from nominal diameters of more than 1/64 in. (0.4 mm) for diameters from 5/16 in. (19.0 mm) and 1/32 in. (0.8 mm) for diameters from 3/8 in. (9.5 mm) to and including 1/2 in. (13.0 mm).

Wire Rope Maintenance

Proper maintenance is key in ensuring a long lasting rope. These three tips will help:

1. Store the rope to prevent damage.
2. Avoid objects that may scrape, bend, or crush the wires of the rope.
3. Always keep the rope well-lubricated.

Holding Valve Inspection Procedure

The cylinders are equipped with holding valves that prevent sudden movement of the cylinder rods in the event of a hydraulic hose or hydraulic component failure. The valve is checked in the following manner:

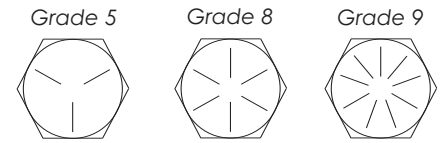
1. Identify the cylinder in question.
2. Identify the holding valves and the cylinder direction in question.
 - a. Cylinder Extend.
 - b. Cylinder Retract.
3. Place the machine so that the cylinder will be located in the appropriate testing position.
4. Pick the load (Do not exceed capacity, rated or stability).
5. Disengage hydraulics.
6. Operate crane functions.
 - A. If the cylinder creeps (lowering the load), replace the holding valve.
 - B. If the cylinder does not creep (load stays suspended), the valve is operational.

Gear-Bearing Bolt Maintenance

Anytime a gear-bearing bolt is removed, it must be replaced with a new bolt of the identical grade and size. Once a bolt has been torqued to 75% of its proof load and then removed, the torque coefficient may no longer be the same as when the bolt was new thus giving indeterminate damp loads after torquing.

Warning!
Failure to replace gear-bearing bolts may result in bolt failure due to metal fatigue causing serious injury or even death.

Torque Data Chart



Size (DIA-TPI)	Bolt DIA (Inches)	Plain (Ft-Lb)	Plated (Ft-Lb)	Plain (Ft-Lb)	Plated (Ft-Lb)	Plated (Ft-Lb)
5/16-18	0.3125	17	13	25	18	22
3/8-16	0.3750	31	23	44	33	39
7/16-14	0.4375	49	37	70	52	63
1/2-13	0.5000	75	57	105	80	96
9/16-12	0.5625	110	82	155	115	139
5/8-11	0.6250	150	115	220	160	192
3/4-10	0.7500	265	200	375	280	340
7/8-9	0.8750	395	295	605	455	549
1-8	1.000	590	445	910	680	823
1 1/8-7	1.1250	795	595	1290	965	1167
1 1/4-7	1.2500	1120	840	1815	1360	1646
1 3/8-6	1.3750	1470	1100	2380	1780	2158
1 1/2-6	1.500	1950	1460	3160	2370	2865

When using the torque data in the charts above, the following rules should be observed.

1. Bolt manufacturer's particular specifications should be consulted when provided.
2. Flat washers of equal strength must be used.
3. All torque measurements are given in foot-pounds. To convert to inch-pounds, multiply by 12.
4. Torque values specified are for bolts with residual oils or no special lubricants applied. If special lubricants of high stress ability, such as Never-Seez compound graphite and oil, molybdenum disulphite, colloidal copper or white lead are applied, multiply the torque values in the charts by the factor .90. The use of Loctite does not affect the torque values listed above.
5. Torque values for socket-head capscrews are the same as for Grade 8 capscrews.

Inspection Checklist

Use of this checklist is subject to terms of the Stellar Warranty information. Additional copies of this checklist can be obtained by contacting Stellar Customer Service at (800) 321-3741.

Type of Inspection (check one)

- Daily (if deficiency found) Quarterly
 Monthly Annual

Owner/Company:

Contact Person:

Crane Make/Model:

Crane Serial:

Date Inspected:

Hour Meter Reading:

Inspected by: (print)

Signature of Inspector:

Type of Inspection Information

Daily and monthly inspections are to be performed by a "designated" person, who has been selected by the employer or the employer's representative as being competent to perform specific duties.

Quarterly and annual inspections are to be performed by a "qualified" person who, by possession of a recognized degree in an applicable field or certificate of professional standing, or who, by extensive knowledge, training and experience has successfully demonstrated the ability to solve or resolve problems related to the subject matter and work.

One hour of normal crane operation assumes 20 complete cycles per hour. If operation exceeds 20 cycles per hour, inspection frequency should be increased accordingly.

Consult the Stellar Owner's Manual for additional inspection items.

Before inspecting and operating the crane, make certain that the crane is set up away from power lines and leveled with outriggers fully extended.

Daily (D): Before each day of operation, those items with a (D) must be inspected. This inspection need not be recorded unless a deficiency is found.

Monthly (M): Monthly inspections or 100 hours of normal operation (which ever comes first) includes all daily and monthly inspection items plus items designated with a (Q). This inspection must be recorded.

Quarterly (Q): Every three months or 300 hours of normal operation (which ever comes first) includes all daily and monthly inspection items plus items designated with an (M). This inspection must be recorded.

Annual (A): Each year or 1200 hours of normal operation (which ever comes first) includes all items on this form which encompasses daily, monthly, and quarterly inspections plus those items designated by (A). this inspection must be recorded.

Monthly Inspection

Frequency	Key	Inspection Description	Status
M	Daily	All Daily Inspections.	
M	Cylinders	Visual inspection of cylinders for leakage at rod, fittings, & welds. Damage to rod & case.	
M	Valves	Holding valves for proper operation.	
M	Valves	Control valve for leaks at fittings & between sections.	
M	Valves	Control valve linkages for wear, smoothness of operation & tightness of fasteners. Relief valve for proper pressure settings.	
M	General	Bent, broken or significantly rusted/corroded parts.	
M	Electrical	Electrical systems for presence of dirt, moisture & frayed wires.	
M	Structure	All structural members for damage.	
M	Welds	All welds for breaks & cracks.	
M	Pins	All pins for proper installation & condition.	
M	Hardware	All bolts, fasteners & retaining rings for tightness, wear & corrosion.	
M	Wear Pads	Condition of wear pads.	
M	Pump & Motor	Hydraulic pumps & motors for leakage at fittings, seals & between sections. Check tightness of mounting bolts.	
M	PTO	Transmission/PTO for leakage, abnormal vibration & noise, alignment & mounting bolt torque.	
M	Hyd Fluid	Quality of hydraulic fluid and for presence of water.	
M	Hyd Lines	Hoses & tubes for leakage, abrasion damage, blistering, cracking, deterioration, fitting leakage, & secured properly.	
M	Hook	Load hook for abnormal throat distance, twist, wear, & cracks.	
M	Rope	Condition of load line.	
M	Manual	Presence of operator's manuals with the unit.	
M	Chassis	Tire wear and air pressure.	
M	Chassis	Working backup alarm.	
M	Station	Fire extinguisher at cab or machinery housing.	

Quarterly Inspection

Frequency	Key	Inspection Description	Status
Q	Daily	All daily inspections.	
Q	Monthly	All monthly inspections.	
Q	Rotation Sys	Rotation bearing for proper torque of all mounting bolts.	
Q	Hardware	Base mounting bolts for proper torque.	
Q	Structure	All structural members for deformation, cracks, & corrosion.	
		Base	
		Outrigger beams & legs	
		Mast	
		Inner boom	
		Outer boom	
		Extension(s)	
		Jib boom	
		Jib extension(s)	
		Other	
		Other	
Q	Hardware	Pins, bearings, shafts, gears, rollers, & locking devices for wear, cracks, corrosion, & distortion.	
		Inner boom pivot pin(s) & retainer(s)	
		Outer boom pivot pin(s) & retainer(s)	
		Inner boom cylinder pin(s) & retainer(s)	
		Outer boom cylinder pin(s) & retainer(s)	
		Extension cylinder pin(s) & retainer(s)	
		Jib boom pin(s) & retainer(s)	
		Jib cylinder pin(s) & retainer(s)	
		Jib extension cylinder pin(s) & retainer(s)	
		Boom tip attachments	
		Other	
		Other	

Quarterly Inspection Continued...

Frequency	Key	Inspection Description	Status
Q	Hyd Lines	Hoses, fittings, & tubing for proper routing, leakage, blistering, deformation, & excessive abrasion.	
		Pressure line(s) from pump to control valve	
		Return line(s) from control valve to reservoir	
		Suction line(s) from reservoir to pump	
		Pressure line(s) from control valve to each function	
		Load holding valve pipe(s) and hose(s)	
		Other	
Q	Pumps&Motors	Pumps and motors for loose bolts/fasteners, leaks, noise, vibration, loss of performance, heating and excess pressure.	
		Winch motor(s)	
		Rotation motor(s)	
		Other	
Q	Valves	Hydraulic valves for cracks, spool return to neutral, sticking spools, relief valve failure.	
		Main control valve	
		Load holding valve(s)	
		Outrigger or auxiliary control valve(s)	
		Other	
Q	Cylinders	Hydraulic cylinders for drifting & leakage. Rods for nicks, scores, & dents. Castor damage. Case & rod ends for damage & abnormal wear.	
		Outrigger cylinder(s)	
		Inner boom cylinder(s)	
		Outer boom cylinder(s)	
		Extension cylinder(s)	
		Rotation cylinder(s)	
		Jib lift cylinder(s)	
		Jib extension cylinder(s)	
		Other	
Q	Winch	Winch, sheaves, & drums for damage, abnormal wear, abrasion, & other irregularities.	
Q	Hyd Filter	Hydraulic filters for replacement per maintenance schedule.	

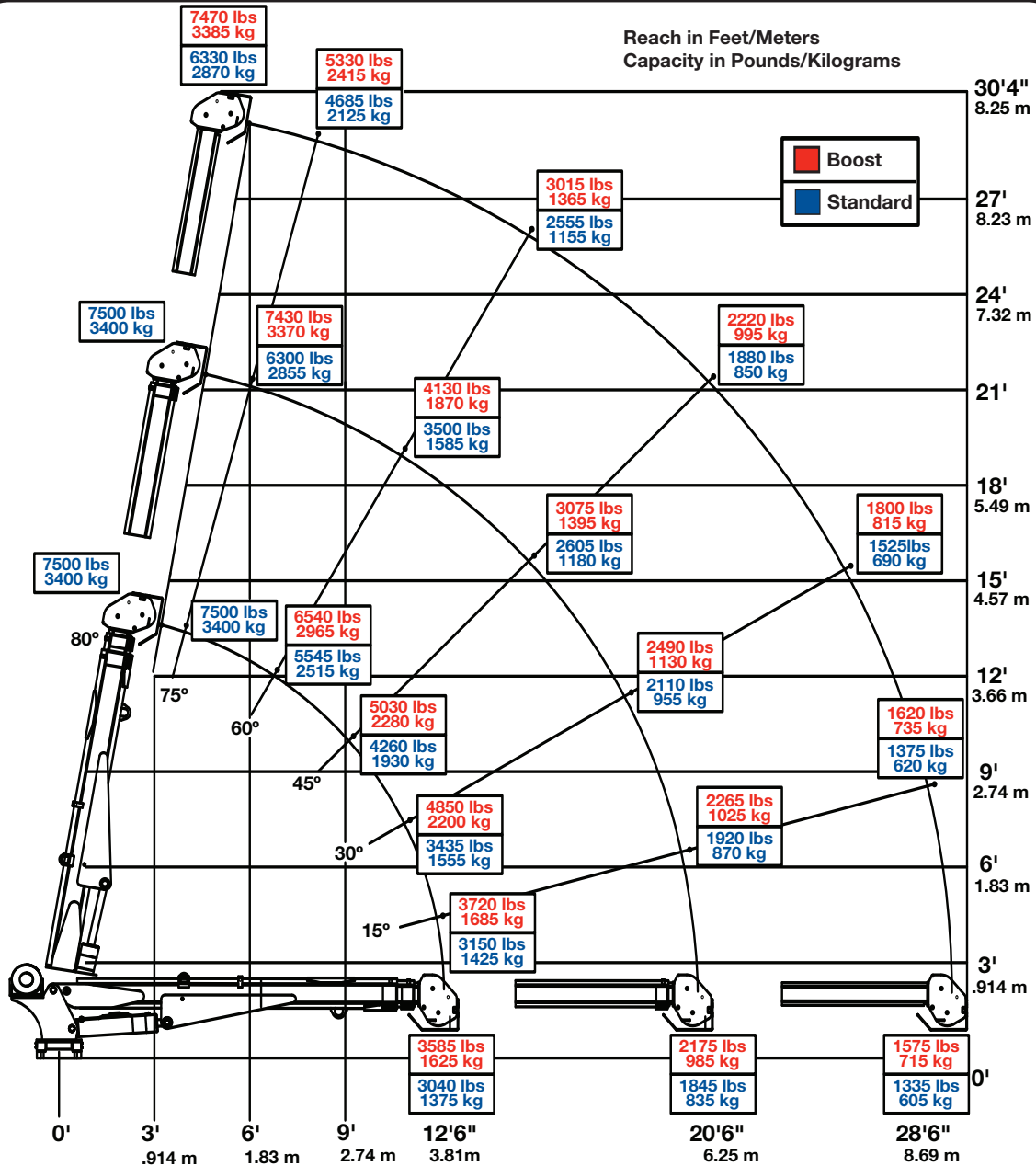
Chapter 4 - Specifications

Model 7628 Crane SPECIFICATION SHEET

Crane Rating:	38,000 ft-lbs (5.25 ton-meters)
Standard Boom Length:	12'6" (3.81 m) from CL of Crane
Boom Extension:	1st stage: Hydraulic 90"(228.6 cm) 2nd stage: Hydraulic 90"(228.6 cm)
Maximum Horizontal Reach:	28'6" (8.69 m) from CL of Crane
Maximum Vertical Lift: (from crane base)	30'4" (9.24 m)
Boom Elevation:	-5 to +80 degrees
Stowed Height (crane only)	35.50" (90.2 cm)
Mounting Space Required	20 x 21 inches (50.8 x 53.3 cm)
Approximate Shipping Weight	1900 lbs (885 kg)
Controls	Radio control standard for all functions.
Winch Specification	
Rope Diameter:	3/8"(.952 cm)
Line pull speed:	60 ft/min (18.29 m/min)
Max. single part line:	3750 lbs (1700 kg)
Max. double part line:	7500 lbs (3400 kg)
Rotation: (worm gear)	400 degree power
Lifting Capacities	3040 lbs @ 12'6" (375 kg @ 3.81 m) 1335 lbs @ 28'6" (605 kg @ 8.69 m)
Power Supply Required	PTO & Pump (8 gpm @ 3000 psi) (30.3 lpm @ 207 bars)

*Subject to change without notification

Capacity Chart - Decal PN 55114



Weight of load handling devices are part of the load lifted and must be deducted from the capacity.

Maximum 1 - part line capacity is 3750 lbs (1700 kg). For greater loads, use 2 - part line.

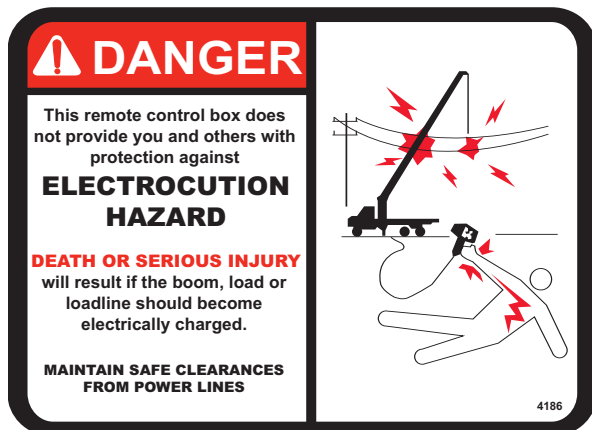


7628

PN 55114

Chapter 5 - Decals

Decals of Note

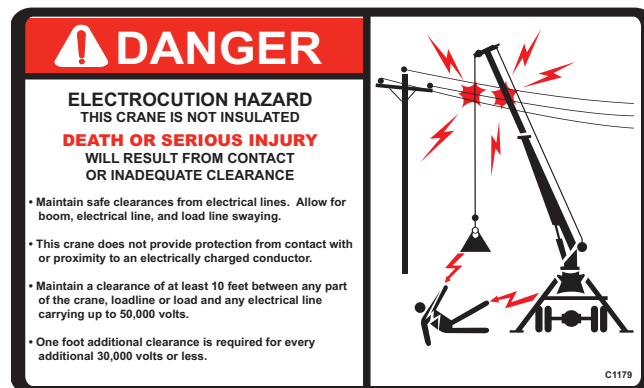


Electrocution Hazard Decal

Location: Inside Crane Compartment, on Compartment Door

Function: To inform the operator of the hazard associated with contact or proximity to electrical lines, the possible consequences should the hazard occur and how to avoid the hazard.

PN: 4186

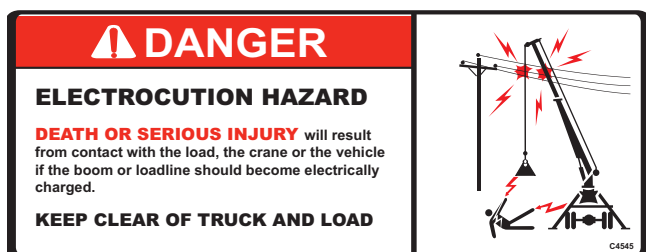


Electrocution Hazard Decal

Location: Inside Crane Compartment, on Compartment Door

Function: To inform the operator that the crane is not insulated and the possible consequences if the crane would come into contact with power lines or electrically charged conductors., and how to avoid the hazard.

PN: C1179



Electrocution Hazard Decal

Location: Each side of truck body, Front & Rear Bumper

Function: To inform the operator and other personnel in the work area of the hazard associated with contact or proximity to electrical lines, the possible consequences should the hazard occur and how to avoid the hazard.

PN: C4545



Hoisting Decal:

Location: Inside Crane Compartment, on Compartment Door

Function: To inform the operator of the hazard associated with lifting personnel with the boom, boom hook, the load or winch loadline, the possible consequences of lifting personnel, and how to avoid the hazard.

PN: 12451



Operation Hazard Decal

Location: Inside Crane Compartment, on Compartment Door

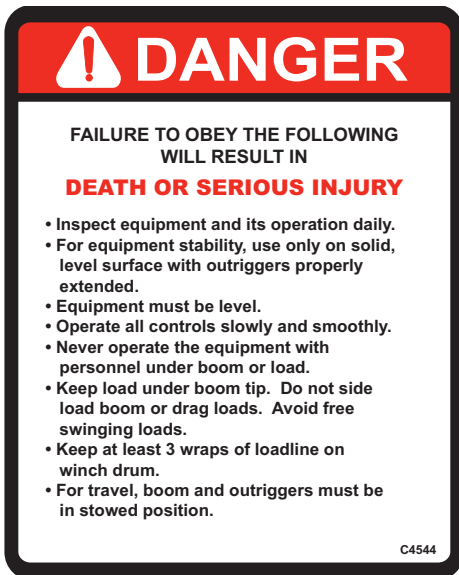
Function: To inform the operator and other personnel in the work area of the hazard associated with improper maintenance and unauthorized modifications, the possible consequences should the hazard occur, and how to avoid the hazard.
PN: 4190



Operation Hazard Decal

Location: Inside Crane Compartment, on Compartment Door

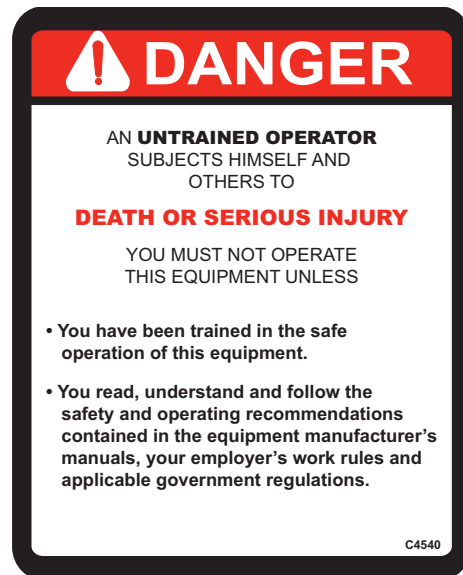
Function: To inform the operator of the hazard associated with overloading the crane, the possible consequences should the hazard occur, and how to avoid the hazard.
PN: 4189



Training Decal:

Location: Inside Crane Compartment, on Compartment Door

Function: To inform the operator of the need for proper training, familiarity with safe operating procedures, and the possible consequences of operation without training.
PN: C4544



Operation Hazard Decal

Location: Inside Crane Compartment, on Compartment Door

Function: To inform the operator of the need for proper training, familiarity with safe operating procedures and, the possible consequences without training.
PN: C4540



Moving Boom Hazard Decal

Location: Inside Crane Compartment, on Compartment Door

Function: To inform the operator and other personnel in the work area of the hazard associated with a moving boom, especially while stowing and unfolding the crane, the possible consequences should the hazard occur, and how to avoid the hazard. PN: C4541



Two Block Hazard Decal

Location: At Boom Tip

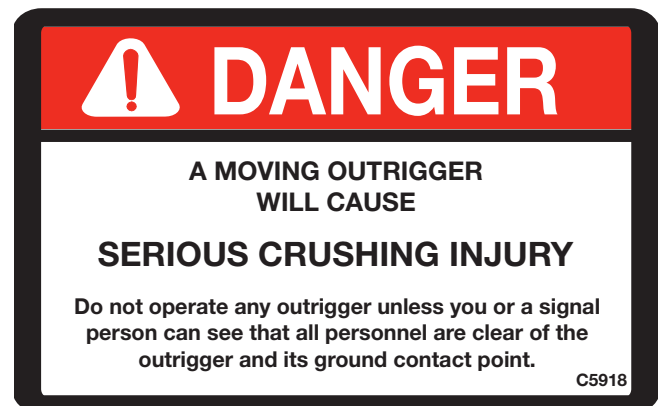
Function: To inform the operator of the hazard associated with bringing the sheave(s) into contact with the hook, snatch block or load, the possible consequences should the hazard occur and how to avoid the hazard. PN: 12300



Foot Crushing Hazard Decal

Location: On each outrigger leg.

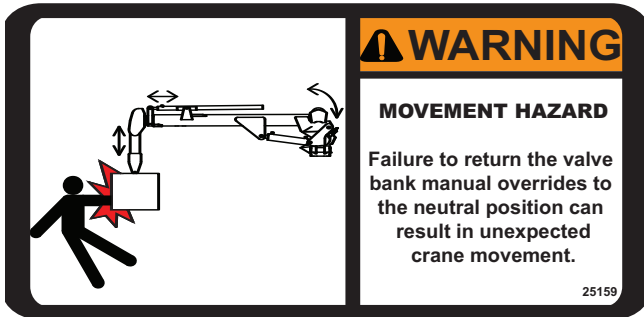
Function: To inform the operator and other personnel in the work area of the hazard associated with the operation of the outriggers, the possible consequences should the hazard occur, and how to avoid the hazard. PN: C4795



Moving Outrigger Hazard Decal

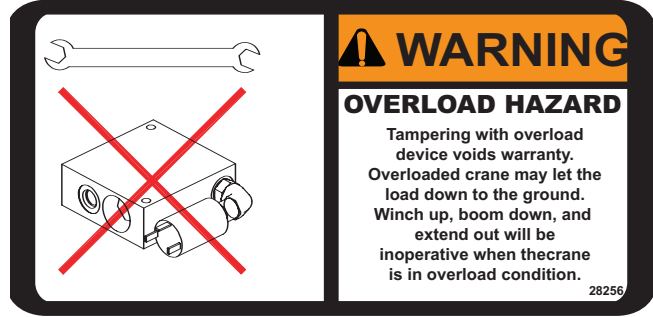
Location: On each outrigger

Function: To inform the operator of the hazard associated with outrigger operation, the possible consequences should the hazard occur, and how to avoid the hazard. PN: C5918



Movement Hazard Decal

Location: Below Override Controls
Function: To inform the operator that failure to return the manual overrides to the neutral position may result in unexpected crane movement.
 PN: 28256



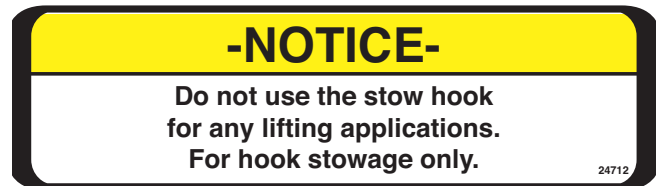
Overload Hazard Decal

Location: At Overload Switch
Function: To inform the operator that tampering with the overload device may cause a unit failure.
 PN: 28256



Free Falling Manual Boom Decal

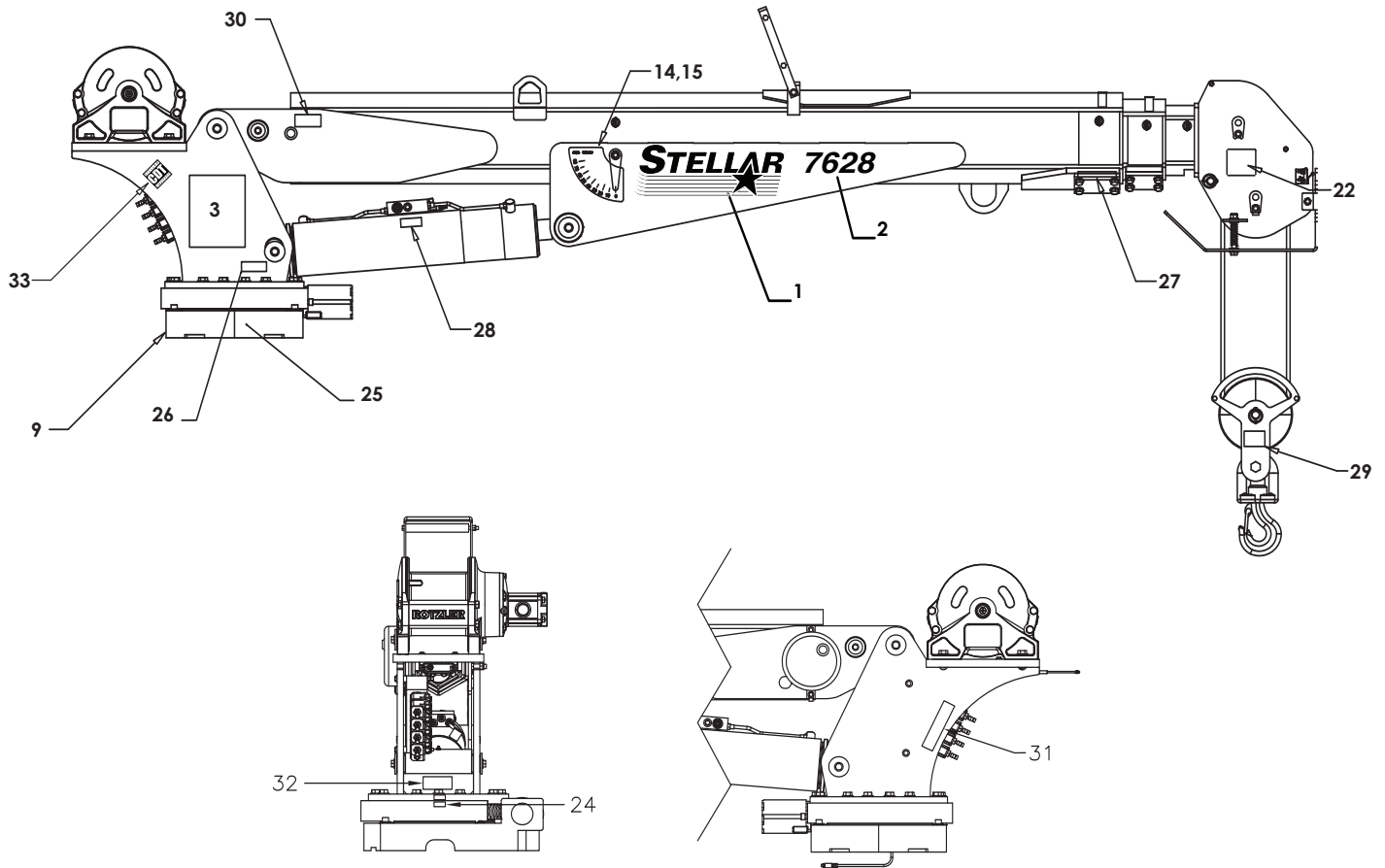
Location: Inside Crane Compartment, on Compartment Door
Function: To inform the operator of the hazard associated with free falling manual boom extensions, the possible consequences should the hazard occur, and how to avoid the hazard.
 PN: 12452



Instructional Decal

Location: At Stow Hook area
Function: To caution the operator not to use the stow hook for any lifting applications.
 PN: 24712

Decal Placement 54970



PN 54970

**THESE DECALS NOT INCLUDED WITH THE DECAL KIT

*USE THESE DECALS WITH BODY PACKAGE

				33	54588	DECAL CDT 2.00X2.00	2
*16	12451	DECAL HOISTING PERSONNEL	1	32	25159	DECAL WARNING MANUAL OVERRIDES	1
15	D1197	DECAL-ANGLE INDICATOR SS	1	31	52270	DECAL VB CONTROL MECH CRANE	1
14	D1196	DECAL ANGLE INDICATOR CS	1	30**	35234	DECAL STELLAR MADE IN THE USA	1
*13	C1179	DECAL-ELECTROCUTION 4.5x7.5	2	29	38472	DECAL SNATCH BLOCK CAP 5 TON	1
*12	C5918	DECAL-DANGER MOVING O.R.	2	28	28256	DECAL WARNING OVERLOAD DEVICE	1
*11	C4795	DECAL-DANGER O.R.	2	27	24712	DECAL CAUTION STOW HOOK	1
*10	4190	DECAL-DANGER	1	26	15172	DECAL ASME/ANSI B30.22/B30.5	1
09	9188	DECAL-ROTATE/GREASE	1	25	15171	DECAL GREASE WORM DRIVE BEARINGS	1
*08	4189	DECAL-DANGER	1	24	4188	DECAL-ROTATION ALIGNMENT	1
*07	4186	DECAL-ELECTROCUTION 2x2.75	1	*23	C4541	DECAL-CRANE STOWING	1
*06	C4544	DECAL-DANGER	1	22	12300	DECAL-TWO BLOCKING	1
*05	C4540	DECAL-DANGER	1	*21	4214	DECAL-SERVICE	1
*04	C4545	DECAL-ELECTROCUTION 5x13	4	*20	C0568	DECAL-DIESEL	2
*03	55114	DECAL CAPACITY	2	*19	12452	DECAL MANUAL EXT	1
02	55113	DECAL 7628 IDENTIFICATION	2	*18	C5911	DECAL-STEELAR 2x4.5	3
01	52681	DECAL STELLAR LOGO 6.5 x 18	2	*17	C5910	DECAL-STEELAR 4x9.5	1
ITEM	PART No.	DESCRIPTION	QTY	ITEM	PART No.	DESCRIPTION	QTY

Chapter 6 - Installation

Notice: Read this Page Before Installation of the Crane

General Installation

This chapter is designed to serve as a general guide for the installation of a Stellar 7628 Telescopic Crane on a Stellar Service Body. Each installation is considered unique so certain portions of this chapter may or may not apply to your direct application. If a question should arise during the installation process, please contact Stellar Customer Service at (800) 321 3741.

This crane is designed for use with a Stellar Service Body installed on a vehicle that meets the minimum chassis requirements of the crane. Check with Stellar Industries before installing this crane on a body other than a Stellar Service Body.

Notice:

PTO and Pump installation instructions are provided by the corresponding manufacturers. For more information on which PTO and Pump fit your application, please contact your local Stellar Distributor or Stellar Customer Service.

Important: When installing welder units to the service bodies, it is highly recommended that a surge protector is installed on the chassis batteries to protect the crane radio receiver, wiring and other electronic devices from an unexpected electrical spike or surge. Failure to do so could result in extensive damage to the service body and crane electrical circuit.

Installation Notice

According to Federal Law (49 cfr part 571), each final-stage manufacturer shall complete the vehicle in such a manner that it conforms to the standards in effect on the date of manufacture of the incomplete vehicle, the date of final completion, or a date between those two dates. This requirement shall, however, be superseded by any conflicting provisions of a standard that applies by its terms to vehicles manufactured in two or more stages.

Therefore, the installer of Stellar cranes and bodies is considered one of the manufacturers of the vehicle. As such a manufacturer, the installer is responsible for compliance with all applicable federal and state regulations. They are required to certify that the vehicle is in compliance with the Federal Motor Vehicle Safety Standards and other regulations issued under the National Traffic and Motor Vehicle Safety Act.

Please reference the Code of Federal Regulations, title 49 - Transportation, Volume 5 (400-999), for further information, or visit <http://www.gpoaccess.gov/nara/index.html> for the full text of Code of Federal Regulations.

Optimal Service Body for the 7628 Crane: T1-11 Service Body

Applicable Chassis:	16000 to 19000 GVWR
Cab to Axle:	84" (213.36 cm)
Body Length Nominal:	133" (337.82 cm)
Body Height:	44" (111.76 cm)
Body Width:	94" (238.76 cm)
Compartment Depth:	22" (55.88 cm)
Floor Width:	50" (127 cm)
Net Weight:	3220 lbs (1460.37 kg)

Optimal Service Body for the 7628 Crane: T2-11 Service Body

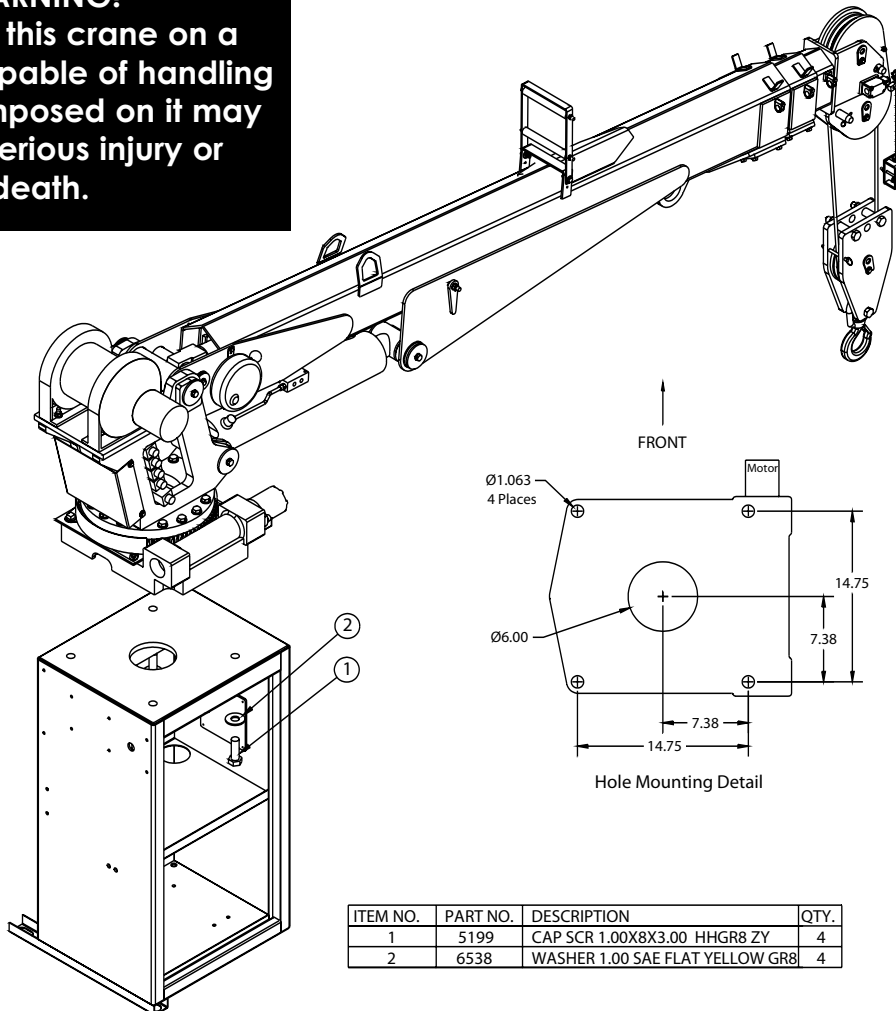
Applicable Chassis:	19000 GVWR and up.
Cab to Axle:	84" (213.36 cm)
Body Length Nominal:	133" (337.82 cm)
Body Height:	52" (132.08 cm)
Body Width:	94" (238.76 cm)
Compartment Depth:	22" (55.88 cm)
Floor Width:	50" (127 cm)
Net Weight:	3600 lbs (1632.93 kg)

Installation Overview

1. Determine that the mounting location for the 6628 crane is at least 18" x 20" (45.7 x 50.8 cm).
2. Use the detail below to drill 1.06" diameter holes into the mounting plate. Run tap on the threads of the base to be sure they are clean.
3. Use a crane or lifting device capable of lifting the weight of the Stellar crane. The Stellar 6628 weighs approximately 1900 lbs (885 kg). **Note: cranes are shipped with rotation positioned at 200 degrees of 400 degree system.** This will allow for easy installation of the crane and permanent connection of all hydraulic and electrical components prior to repositioning into the crane saddle.
4. Connect straps or chain from the lifting device to the lifting rings on the Stellar 6628.
5. Use four (4) 1" x 3" #8 bolts and four (4) #8 flat washers.
6. Install a washer on each bolt.
7. Apply Loctite Thread locker #277 to the bolts.
8. Using the lifting device, lower the Stellar 6628 just above the crane compartment and start the bolts. Have someone assist in leveling the crane. **Note: the rotation motor should be to the door side of crane compartment and the boom should be extended back over the rear bumper.**
9. Secure the crane using the mounting hardware provided. **Note: longer or shorter cap screws may be required – recommended thread engagement into crane base is 1.75" – use grade 8, zinc plated cap screws only.**
10. Torque the cap screws to 680 ft-lbs.
11. Remove supporting crane.
12. Hook-up hydraulics and electrical.

Note: If questions should arise during any portion of this installation, please contact Stellar Customer Service at (800) 321-3741.

WARNING!
 The use of this crane on a body not capable of handling the loads imposed on it may result in serious injury or death.



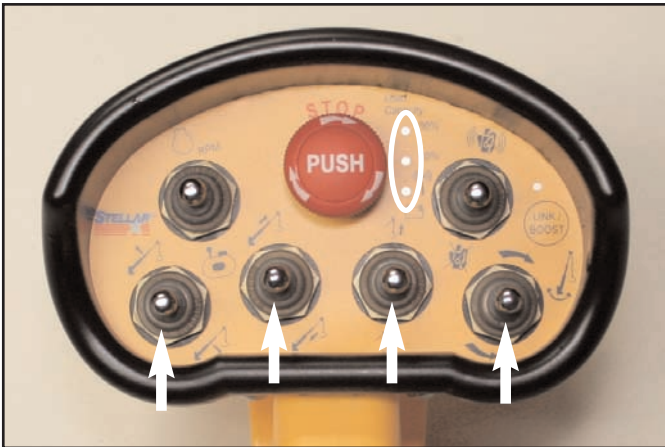
Stability Procedure

Definition of Stability for the Stellar Telescopic Crane Products:

A truck is stable until the load cannot be lifted off the ground with the winch, without tipping over the truck. Every Stellar crane installed must be tested for stability to determine the actual load capacity of the final truck package. The actual test data must be recorded and supplied with the truck at the time of in-service and should be kept with the truck at all times. The following procedure will test the truck package for stability and will provide a stability capacity chart. The load limit information shown on the stability capacity chart is formulated on 85% tipping.

Set Up:

1. Locate the truck on a test course in position for loading and engage travel brakes.
2. Set outriggers so that they make contact with firm, level footing.
3. Operate the crane under partial load to assure operator proficiency and proper machine function.
4. Put the radio into Stability Test Mode:



- A. Push the bottom four switches up and hold until all lights come on (approximately 5 seconds.)
- B. At this point, the crane will have enough capacity to handle the weight for the stability test.
- C. The radio will timeout of stability mode after 30 minutes or when the E-Stop button is pushed.

Note: The radio can only be put into stability mode five times. After that, the radio would have to be returned to Stellar to be reprogrammed to allow additional stability testing. All other radio functions will work properly even if stability mode is not available.

7628 Stability Data

Max Horizontal Reach: 342" (From the center of rotation to boom tip)

Stability Test Weight: 1860 lbs.

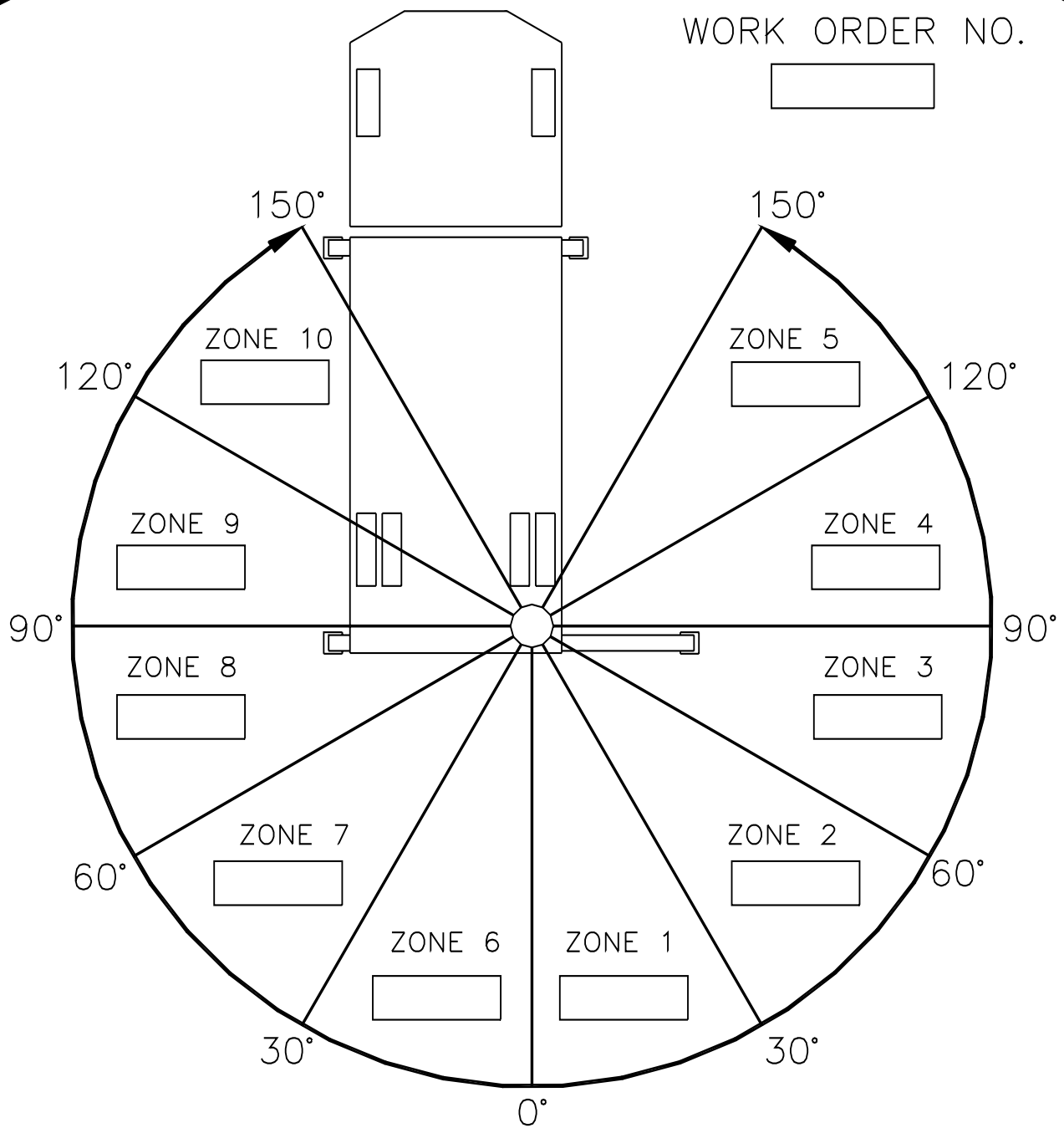
Test Procedure

1. Rotate the crane into Zone 1 position.
2. With the crane fully retracted and the boom horizontal, winch the test weight off the ground. Note: Keep weight within six inches of the ground at all times.
3. Extend the boom outward until full extension has been reached or until the truck becomes unstable (Again, use the winch to keep the weight within six inches of the ground.)
4. If the boom goes full extension without becoming unstable, the crane is termed stable for this zone and 100% can be written in the Zone 1 data box.
5. If the truck becomes unstable prior to going full extension, retract the boom until the truck becomes stable and measure the horizontal reach in this position (center of rotation to boom tip). This is the stable horizontal reach for this zone. Stable horizontal reach divided by Maximum horizontal reach multiplied by 100 equals the percentage of rated capacity for this zone. Use the following formula to determine the percentage of rated capacity:

$$\frac{\text{Stable Horizontal Reach}}{\text{Max Horizontal Reach}} \times 100 = \text{Percentage of Rated Capacity}$$

6. Record this number in the data box for Zone 1. This is the revised capacity due to stability for this zone.
7. Repeat this procedure for each zone until the worksheet is completed.
8. This is the revised capacity based on stability of this package.

Stability Capacity Chart



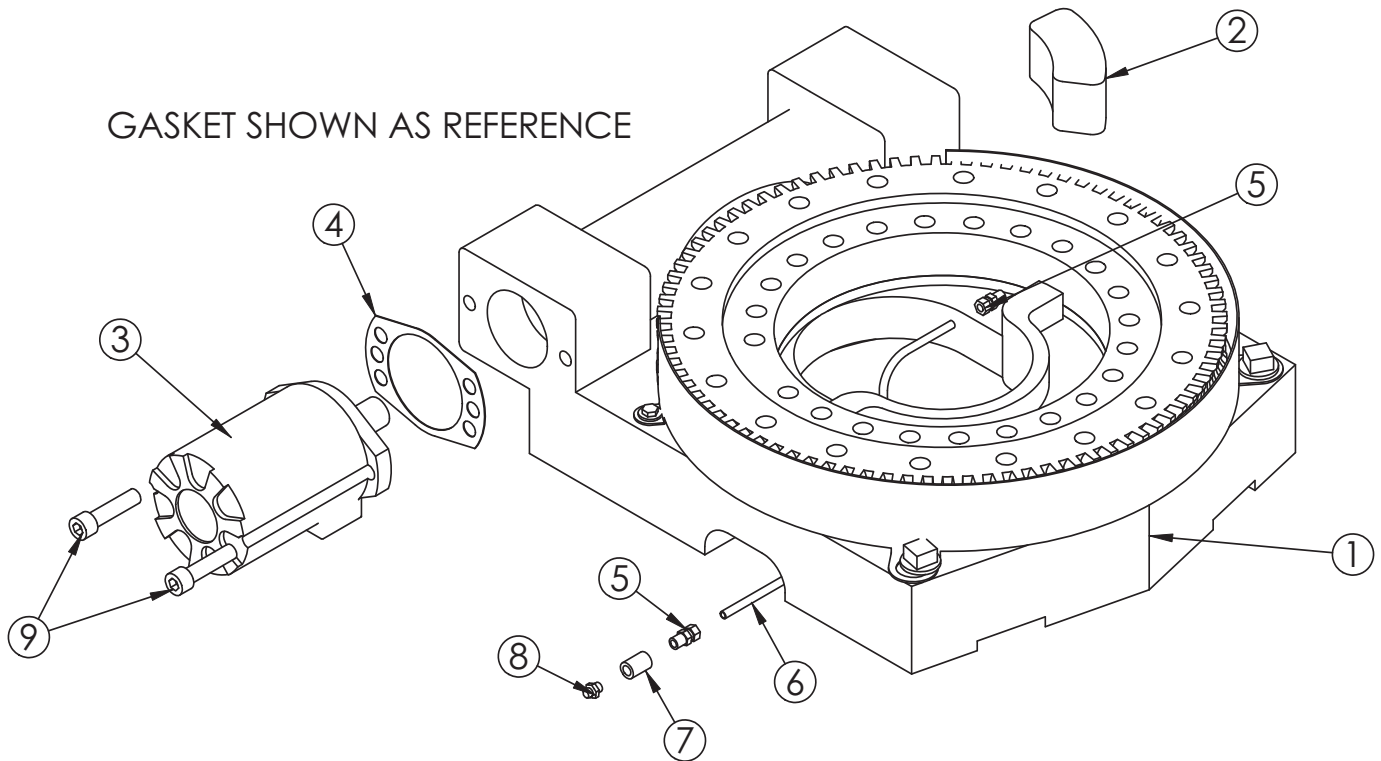
BOXES TO BE FILLED IN WITH PERCENTAGE OF RATED CAPACITY IN THE APPROPRIATE REGION.

STABILITY CAPACITY CHART

STABILITY is based on this specific truck package.

Chapter 7 - Assembly Drawings

Base Assembly - PN 50364

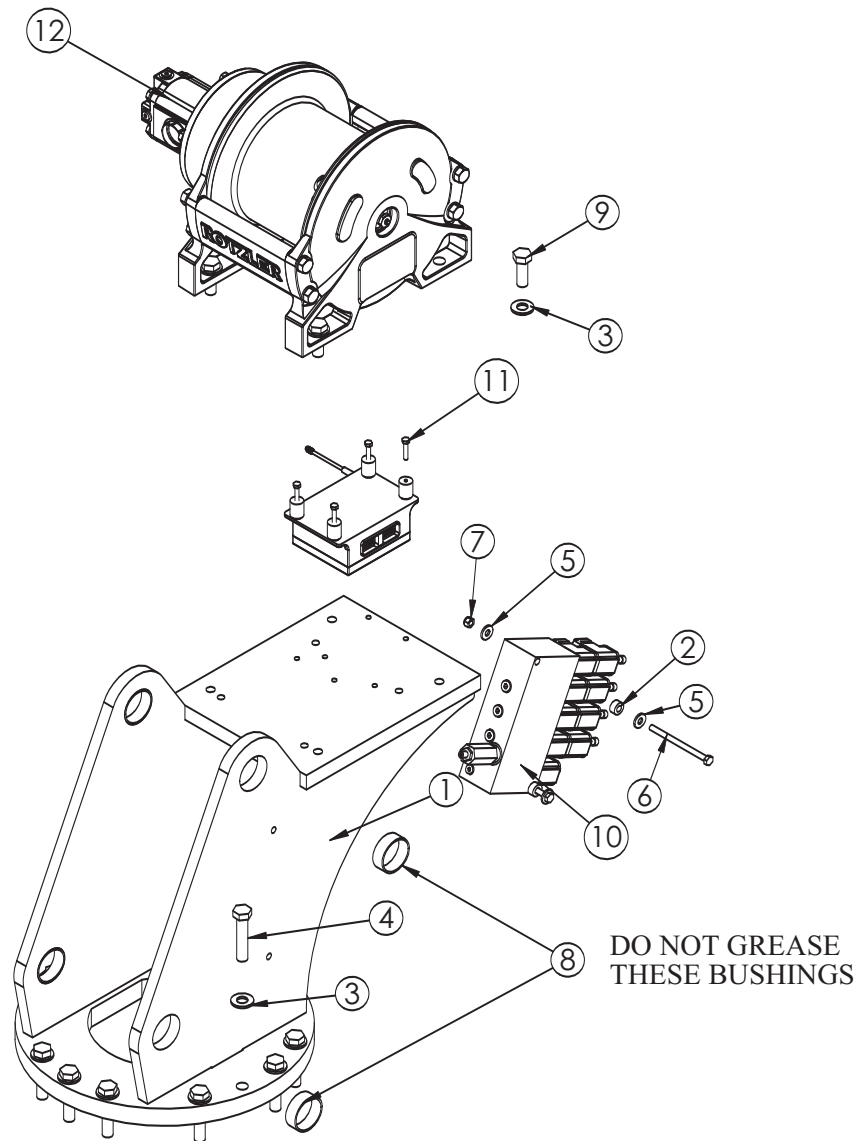


NOTE: ITEMS 1 INCLUDE GUARD & GUARD FASTENERS

PN 50364

ITEM	PART	DESCRIPTION	QTY.
1	47869	BEARING SWING DRIVE CAST 6620 GEARTEK	1
2	11542	STOP 3820 400 SLIDE	1
3	C6069	MOTOR HYD ROSS MK080613AAAB	1
4	21151	GASKET MOTOR 008-10056-1	1
5	D1345	FTG CPRSN 0.12NPT/0.25 TUBE	2
6	D1810	TBE AIR SAEJ844 TYPE A .25 (RM)	1
7	C2256	FTG COUPLER PIPE 0.13	1
8	c1592	ZERK 1/8 NPT STRAIGHT	1
9	53495	CAP SCR 0.50-13X2.00 SH	2

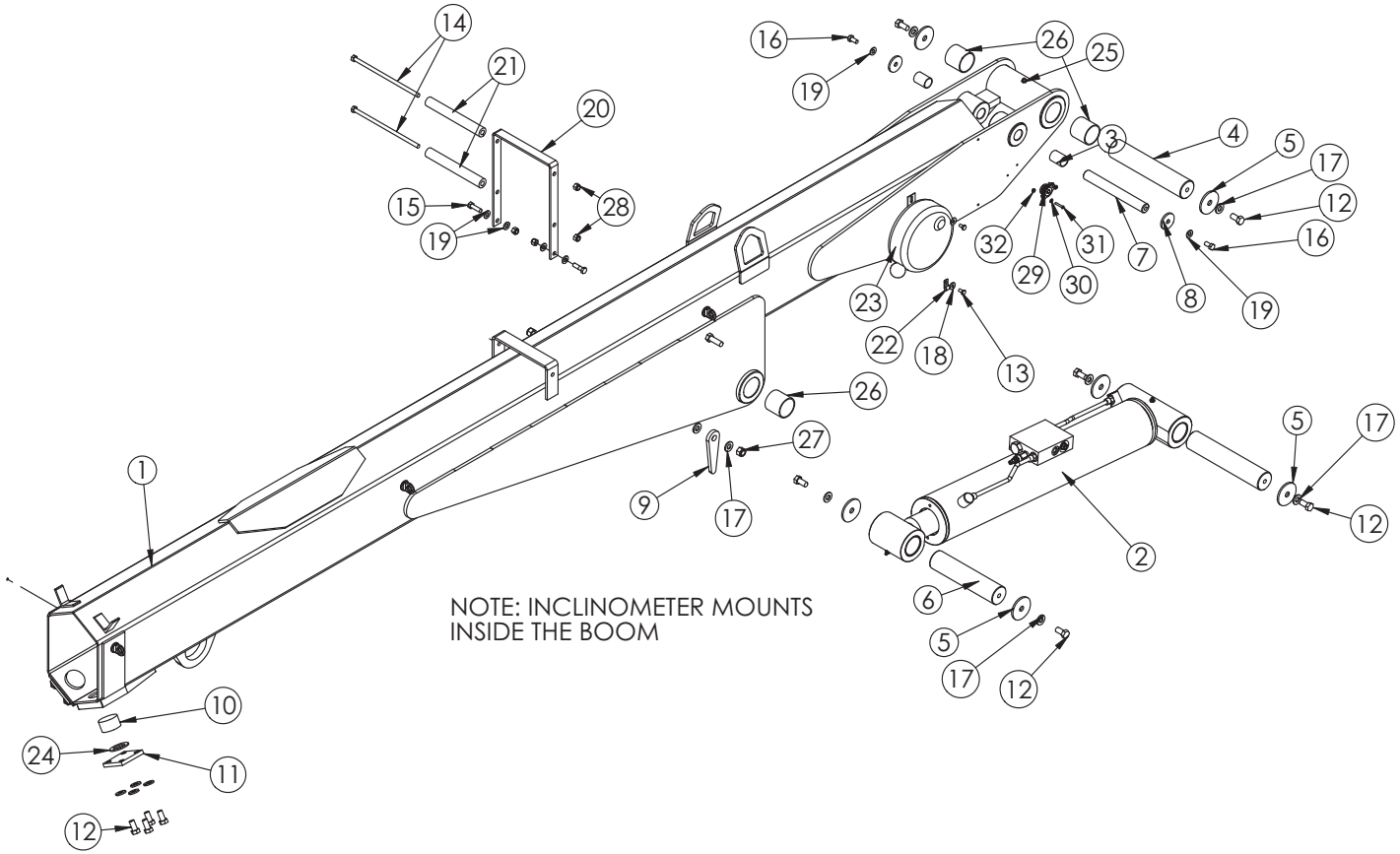
Mast Assembly - PN 54790



PN 54790

ITEM	PART	DESCRIPTION	QTY.
1	43483	MAST 10621/12621	1
2	27813	COLLAR 0.38X0.75X0.38 UHMW	2
3	C5902	WASHER 0.63 SAE FLAT YELLOW GR8	18
4	D1034	CAP SCR 0.63-11X3.00 HHGR8	14
5	0343	WASHER 0.31 USS FLAT ZINC	4
6	C0933	CAP SCR 0.31-18X4.50 HHGR5	2
7	0342	NUT 0.31-18 HHGR5 NYLOC	2
8	44533	BUSHING HSG3235012S 2.00X0.75	4
9	11693	CAP SCR 0.63-11X1.75 HHGR8	4
10	52265	VB 4 SECT W/PROP STER8GPM DEUTSCH	1
11	52490	CAP SCR 6MMX30MM HH CLASS 8.8	4
12	54946	WINCH3750# TH2CC230246	1

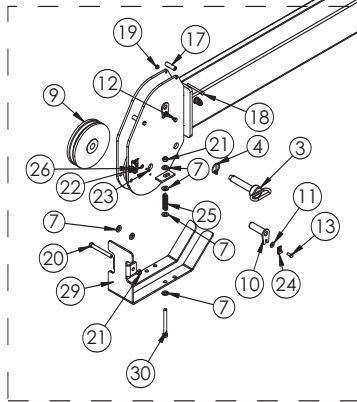
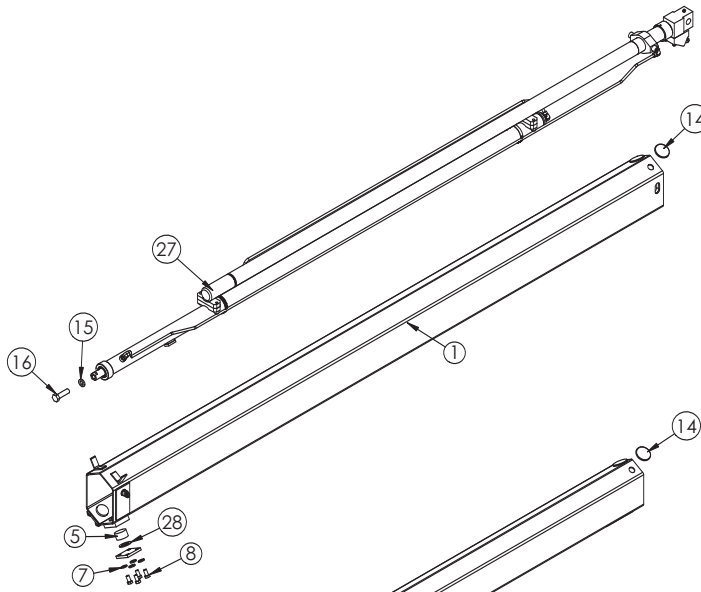
Main Boom - PN 54960



PN 54960

ITEM	PART	DESCRIPTION	QTY.	ITEM	PART	DESCRIPTION	QTY.
1	50346	INNER BOOM 6628	1	15	0335	CAP SCR 0.38-16X1.25 HHGR5	2
2	54961	CYLINDER ASM 7628 INNER	1	16	9843	CAP SCR 0.38-16X0.75 HHGR8	2
3	0068	BUSHING QSI-1618-24	2	17	D0790	WASHER 0.50 SAE FLAT YELLOW GR8	18
4	9709	PIN 2.00X10.19 D&T	2	18	0340	WASHER 0.25 USS FLAT ZINC	2
5	9142	PIN CAP 0.56X2.50X0.19	6	19	C6353	WASHER 0.38 SAE FLAT YELLOW GR8	6
6	9711	PIN 2.00X8.88 D&T	1	20	13435PC	BRKT ROPE GUIDE 9620	1
7	9712	PIN 1.00X8.38 D&T	1	21	27720	SPACER ROPE GUIDE 6620 UHMW	2
8	9320	PIN CAP 0.44X1.75X0.19 SS	2	22	C5606	CLAMP 0.25 BLK VINYL	1
9	D1194PC	PLATE ANGLE INDICATOR	2	23	19166	CORD REEL 5728	1
10	9363	WEAR PAD 1.12X2.00 RND NYLATRON	2	24	0425	MACHY WASHER 1.25ID 10GA	2
11	9545PC	PLATE WEAR PAD SUPPORT	2	25	c1592	ZERK 1/8 NPT STRAIGHT	1
12	10172	CAP SCR 0.50-13X1.00 HHGR8	14	26	4381	BUSHING BPC32DXR32 2.00X2.00	4
13	0478	CAP SCR 0.25-20X0.50 HHGR5	2	27	C6106	NUT 0.50-13 HHGR5 NYLOC	2
14	12168	CAP SCR 0.38-16X9.00 HHGR5	2	28	0347	NUT 0.38-16 HHGR5 NYLOC	4
				29	53493	INCLINOMETER 60 DEG	1
				30	18765	WASHER #6 SAE FLAT ZINC	2
				31	18618	SCREW #6-32X1.00 PHMS PH	2
				32	D0076	NUT #6-32 HH NYLOC SS	2

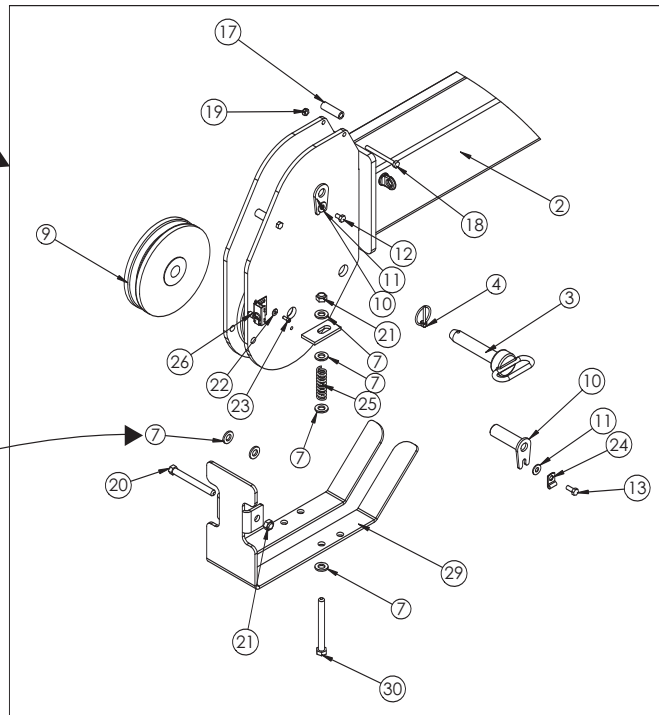
Extension Boom Assembly - PN 55120



PN 55120

ITEM	PART	DESCRIPTION	Defa ult/Q TY.
1	34768	EXT BOOM 1ST 6628	1
2	55121	EXT BOOM 2ND 7628 CRADLE A2B	1
3	12824	PIN HITCH 1.00X4.50	1
4	5753	PIN 0.19X1.56 LYNCH	1
5	9363	WEAR PAD 1.12X2.00 RND NYLATRON	2
6	9545PC	PLATE WEAR PAD SUPPORT	2
7	D0790	WASHER 0.50 FLAT GR8	18
8	10172	CAP SCR 0.50-13X1.00 HHGR8 ZY	8
9	13339	SHEAVE 7621 8.00 DIA .38R/1.88THK	2
10	9706	PIN TEAR DROP 1.00X3.25	2
11	0343	WASHER 0.31 USS FLAT ZINC	2
12	0484	CAP SCR 0.31-18 X 0.50 HHGR5	1
13	0420	CAP SCR 0.31-18X0.75 HHGR5	1
14	9991	WEAR PAD 0.19X2.50 RND NYLATRON	4
15	C6219	WASHER 0.75 SAE FLAT YELLOW GR8	1
16	4974	CAP SCR 0.75-10X2.50 HHGR8 ZY	1
17	27719	SPACER BOOM TIP 6620 UHMW	2
18	12178	CAP SCR 0.31-18X3.25 HHGR5	2
19	0342	NUT 0.31-18 HH NYLOC	2
20	0507	CAP SCR 0.50-13X4.50 HHGR5	1
21	C6106	NUT 0.50-13 HHGR5 NYLOC	3
22	D0178	WASHER #10 SAE FLAT ZINC	2
23	31132	SCREW #10-24X0.50 SH SS	2
24	31279	CLAMP 0.31 BLK VINYL	1
25	27710	SPRING ANTI 2 BLOCK SUMMIT	2
26	35105	SWITCH LIMIT E1117-B9111-6C	1
27	50929	CYLINDER EXT 6628 2.0/2.0	1
28	0425	MACHY WASHER 1.25ID 10GA	2
29	43488PC	PLATE CRADLE 10621/12621	1
30	C1000	CAP SCR 0.50-13X5.00 HHGR5	2

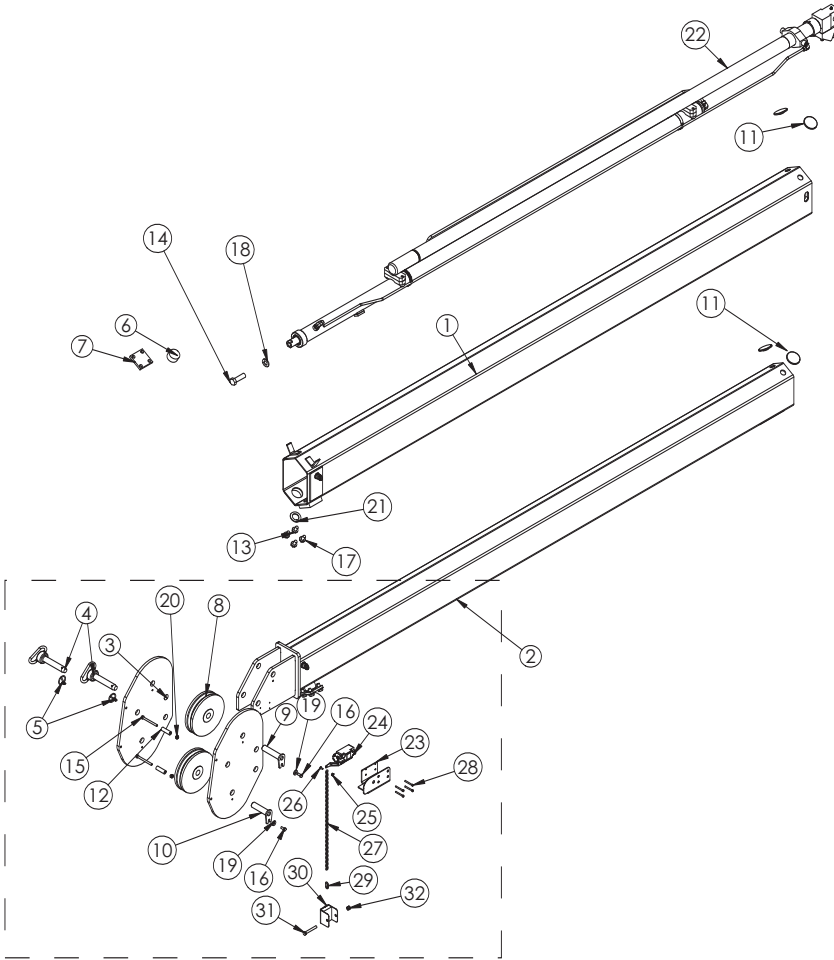
THESE WASHERS GO BETWEEN CRADLE AND BOOM TIP FOR SPACING



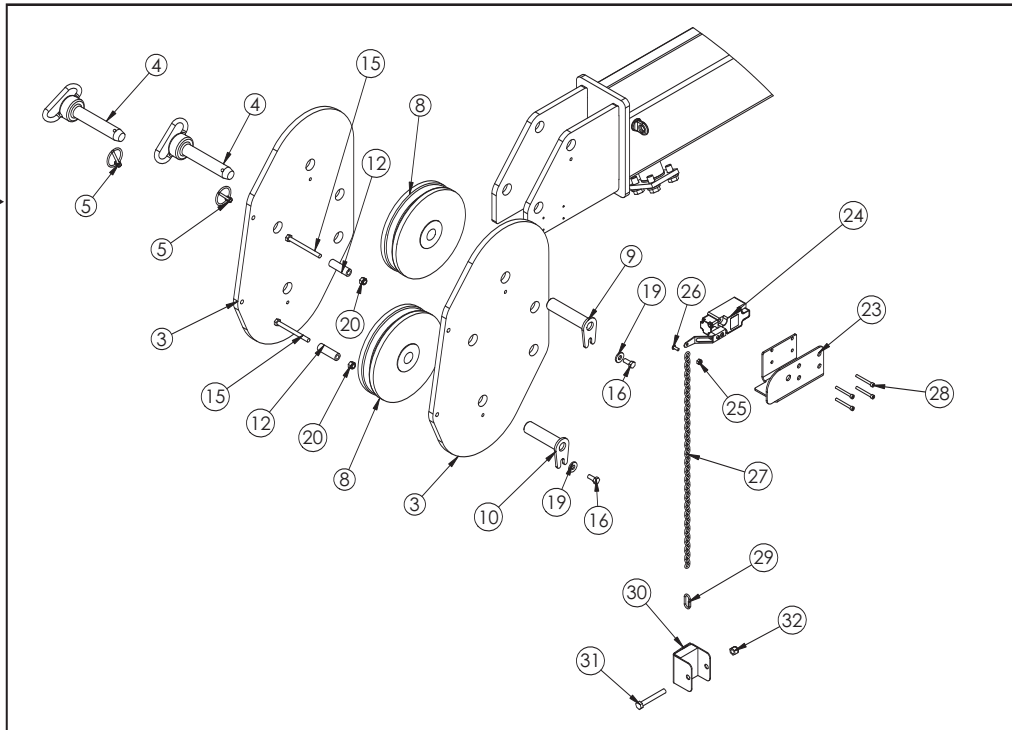
Extension Boom Assembly Flip Sheave - PN 54963

OPTIONAL

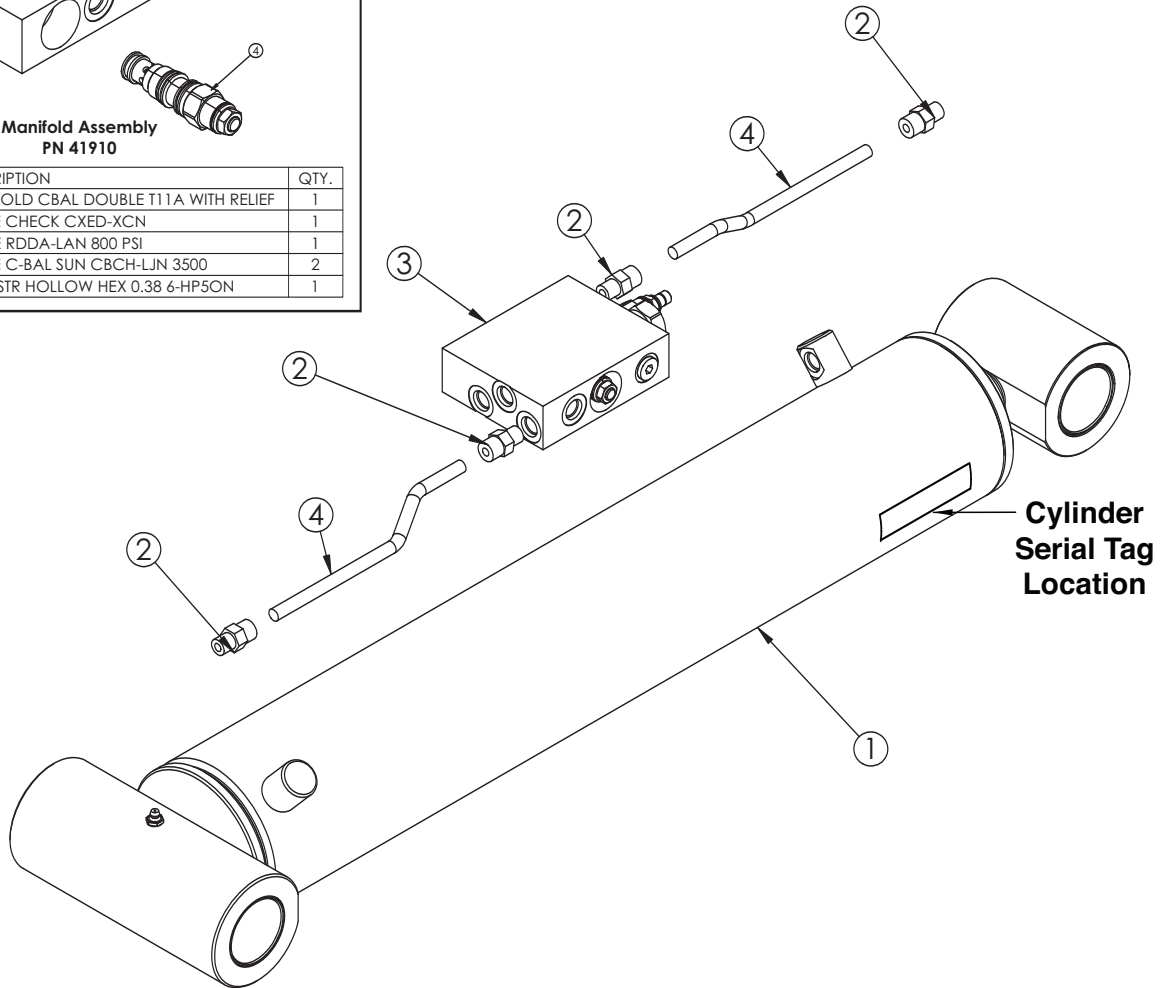
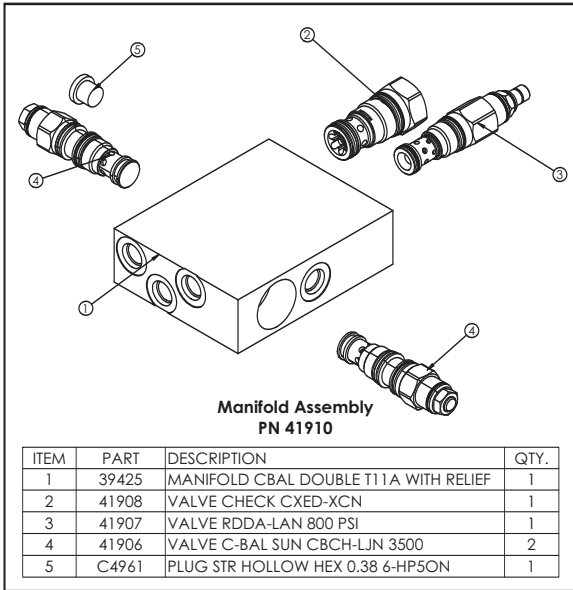
PN 54963



ITEM	PART	DESCRIPTION	QTY.
1	34768	EXT BOOM 1ST 6628	1
2	54964	EXT BOOM 2ND 7628	1
3	15998PC	PLATE SHEAVE MOUNTING 10620	2
4	12824	PIN HIITCH 1.00X4.50	2
5	5753	PIN 0.19X1.56 LYNCH	2
6	9363	WEAR PAD 1.12X2.00 RND NYLATRON	2
7	9545PC	PLATE WEAR PAD SUPPORT	2
8	13339	SHEAVE 7621 8.00 DIA .38R/1.88THK	2
9	13400	PIN TEAR DROP 1.00X4.38	1
10	13399	PIN TEAR DROP 1.00X3.81	1
11	9991	WEAR PAD 0.19X2.50 RND NYLATRON	4
12	27719	SPACER BOOM TIP 6620 UHMW	2
13	10172	CAP SCR 0.50-13X1.00 HHGR8	8
14	4974	CAP SCR 0.75-10X2.50 HHGR8	1
15	0490	CAP SCR 0.31-18X3.50 HHGR5	2
16	0420	CAP SCR 0.31-18X0.75 HHGR5	2
17	D0790	WASHER 0.50 SAE FLAT YELLOW GR8	8
18	C6219	WASHER 0.75 SAE FLAT YELLOW GR8	1
19	0343	WASHER 0.31 USS FLAT ZINC	2
20	0342	NUT 0.31-18 HHGR5 NYLOC	2
21	0425	MACHY WASHER 1.25ID 10GA	2
22	50929	CYLINDER EXT ASM 6628 2.0/2.0	1
23	34354PC	ANTI 2 BLOCK COVER LH	1
24	11938	SWITCH LIMIT A2B FURNAS 3SE3170	1
25	C4956	NUT #10-24 HH NYLOC SS	1
26	D1711	CAP SCR #10-24X0.50 BTNHD SS	1
27	18454	CHAIN 0.105X21.50	1
28	33749	CAP SCR #10-24X1.75 SH	4
29	37850	CONNECTOR QUICK LINK 0.13	1
30	35264PC	WEIGHT ANTI 2 BLOCK	1
31	0530	CAP SCR 0.38-16X2.75 HHGR5	1
32	0347	NUT 0.38-16 HHGR5 NYLOC	1



Main Cylinder Assembly - PN 54961

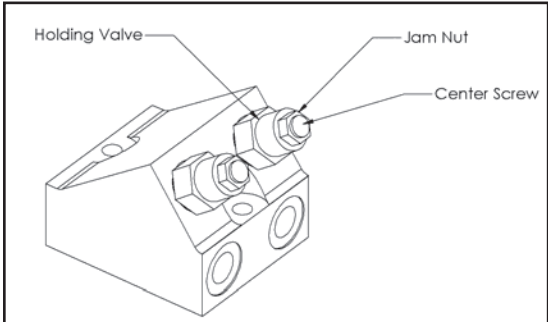


PN 54961

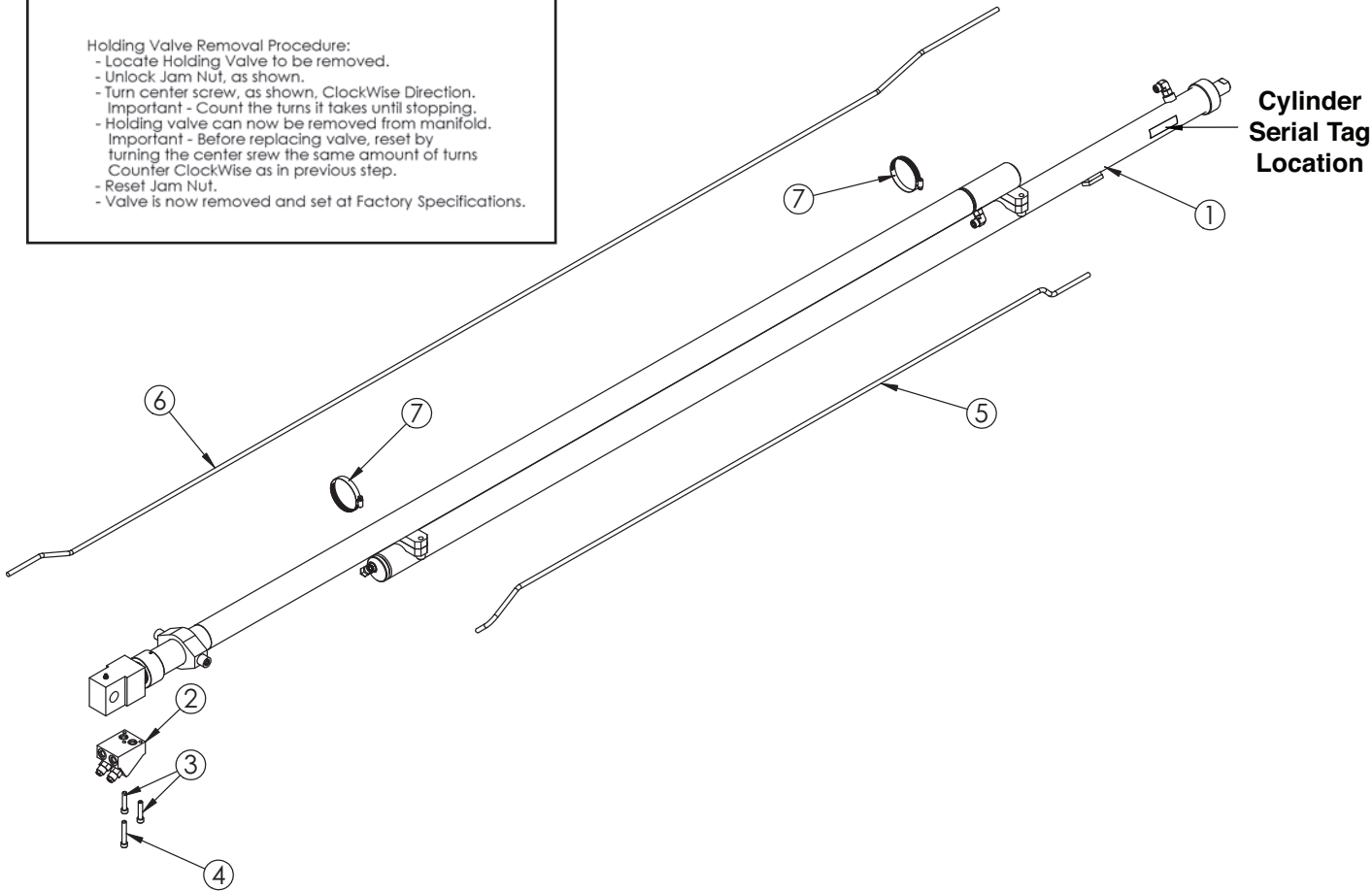
ITEM	PART	DESCRIPTION	QTY.
1	50928	CYLINDER 4.50X21.38 NEW MAST	1
2	0279	FTG ADAPT 6-F5OLO-S	4
3	41910	MANIFOLD ASM DUAL 10-1CBAL-RLF-CHK	1
4	44066	TUBE ASM 0.38X8.25 MAIN 10628/12628	2

**Note: This cylinder uses
Stellar Seal Kit PN 35655**

Extension Cylinder Assembly - PN 50929



- Holding Valve Removal Procedure:**
- Locate Holding Valve to be removed.
 - Unlock Jam Nut, as shown.
 - Turn center screw, as shown, ClockWise Direction.
 - Important - Count the turns it takes until stopping.
 - Holding valve can now be removed from manifold.
 - Important - Before replacing valve, reset by turning the center screw the same amount of turns Counter ClockWise as in previous step.
 - Reset Jam Nut.
 - Valve is now removed and set at Factory Specifications.

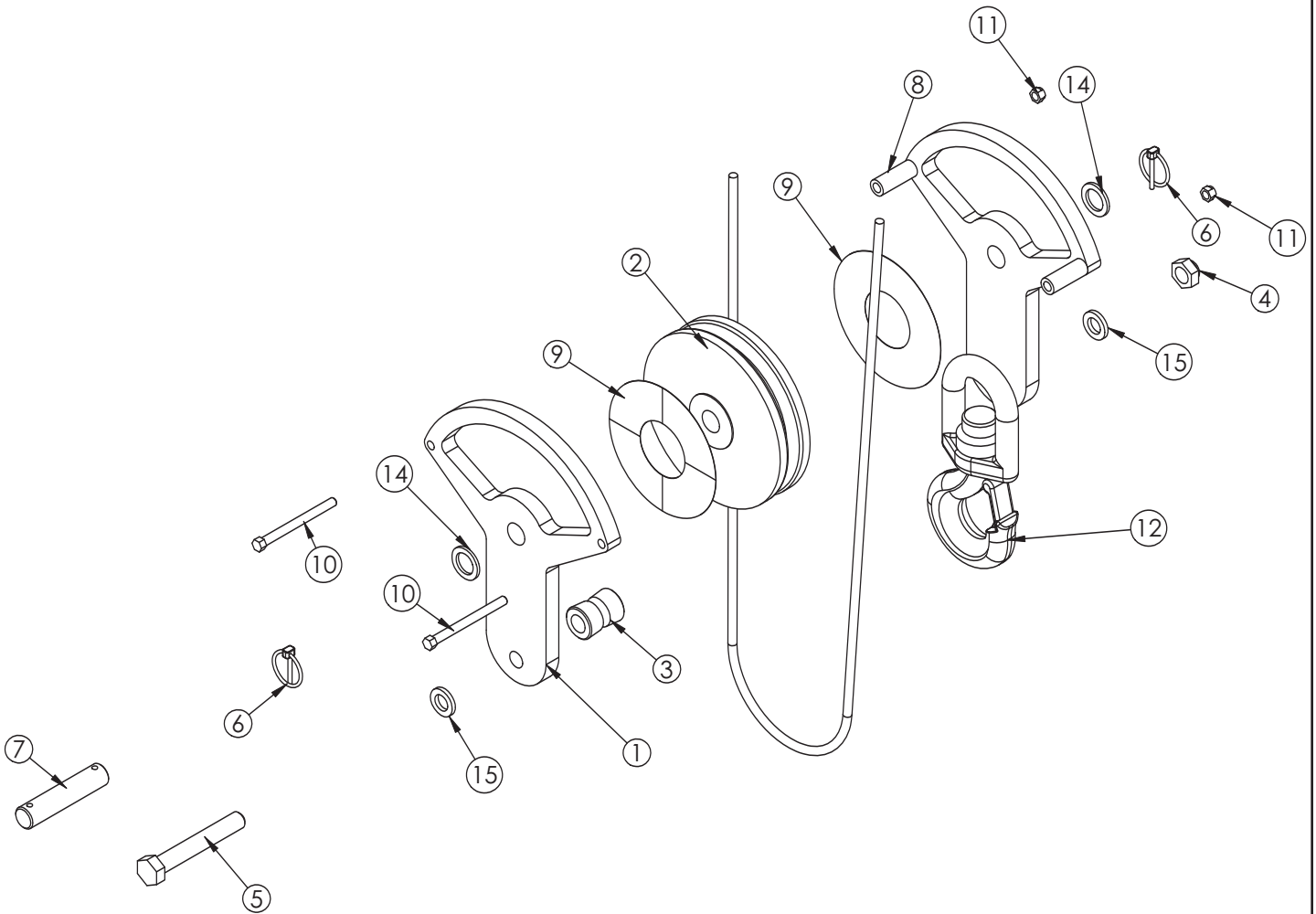


PN 50929

ITEM	PART	DESCRIPTION	QTY.
1	50919	CYLINDER EXT 6628 2 STAGE 2.0/2.0	1
2	14115	MANIFOLD ASM 6620 EXT CBBB-LJN-XVN	1
3	11882	CAP SCR 0.38-16X1.75 SH ZC	2
4	14601	CAP SCR 0.38-16X2.25 SH ZC	1
5	31652	TUBE ASM 0.38X 72.86 EXT CYL 6628	1
6	31651	TUBE ASM 0.38X 119.75 EXT CYL 6628	1
7	24729	HOSE CLAMP #52 3.00 - 3.75	2

**Extension Cylinder Uses:
Upper Seal Kit - PN 54778
Lower Seal Kit - PN 20310**

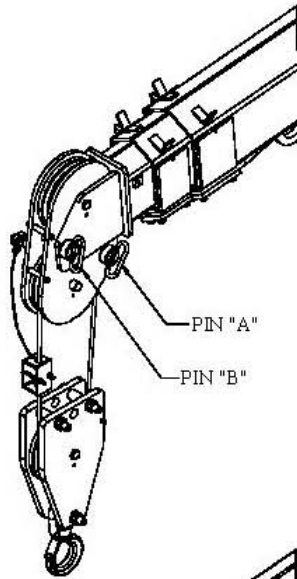
Cable & Hook Assembly - PN 54962



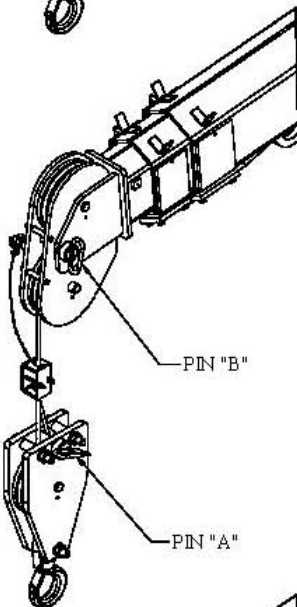
PN 54962

ITEM	PART	DESCRIPTION	QTY.
1	44641PC	PLATE SNATCH BLOCK 10628/12628	2
2	13339	SHEAVE 7621 8.00 DIA .38R/1.88THK	1
3	39844	BUSHING V HOOK	1
4	C0538	NUT 0.75-10 HHGR8 NYLOC	1
5	C1030	CAP SCR 0.75-10X5.00 HHGR8	1
6	5753	PIN 0.19X1.56 LYNCH	2
7	44644	PIN 1.00X4.56 LYNCH	1
8	44643PC	COLLAR 0.44X0.75X2.00	2
9	54954	DECAL SHEAVE SPINNER 7621/7628	2
10	32086	CAP SCR 0.38-16X4.25 HHGR5	2
11	0347	NUT 0.38-16 HH NYLOC	2
12	25831	HOOK 5 TON SWIVEL CROSBY 1028623	1
13	23454	WIRE ROPE 3/8 6X19 IWRC-DGXIP 150FT	1
14	0424	MACHY WASHER 1.00ID 10GA	2
15	C6219	WASHER 0.75 SAE FLAT YELLOW GR8	2

Wire Rope/Sheave Configurations

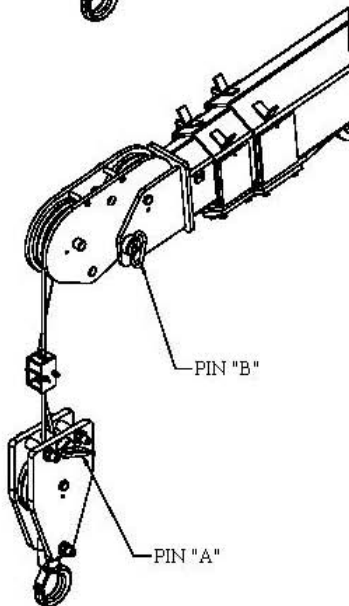


STANDARD 2 PART LINE
SHEAVE FLIPPED DOWN
CAPACITIES AS SHOWN ON
LOAD CHART



SINGLE PART LINE
SHEAVE FLIPPED DOWN

- 1.) REMOVE PIN A FROM BOOM TIP
- 2.) ROUTE WIRE ROPE THROUGH SNATCH BLOCK
- 3.) PIN WIRE ROPE TO SNATCH BLOCK AS SHOWN WITH PIN "A"

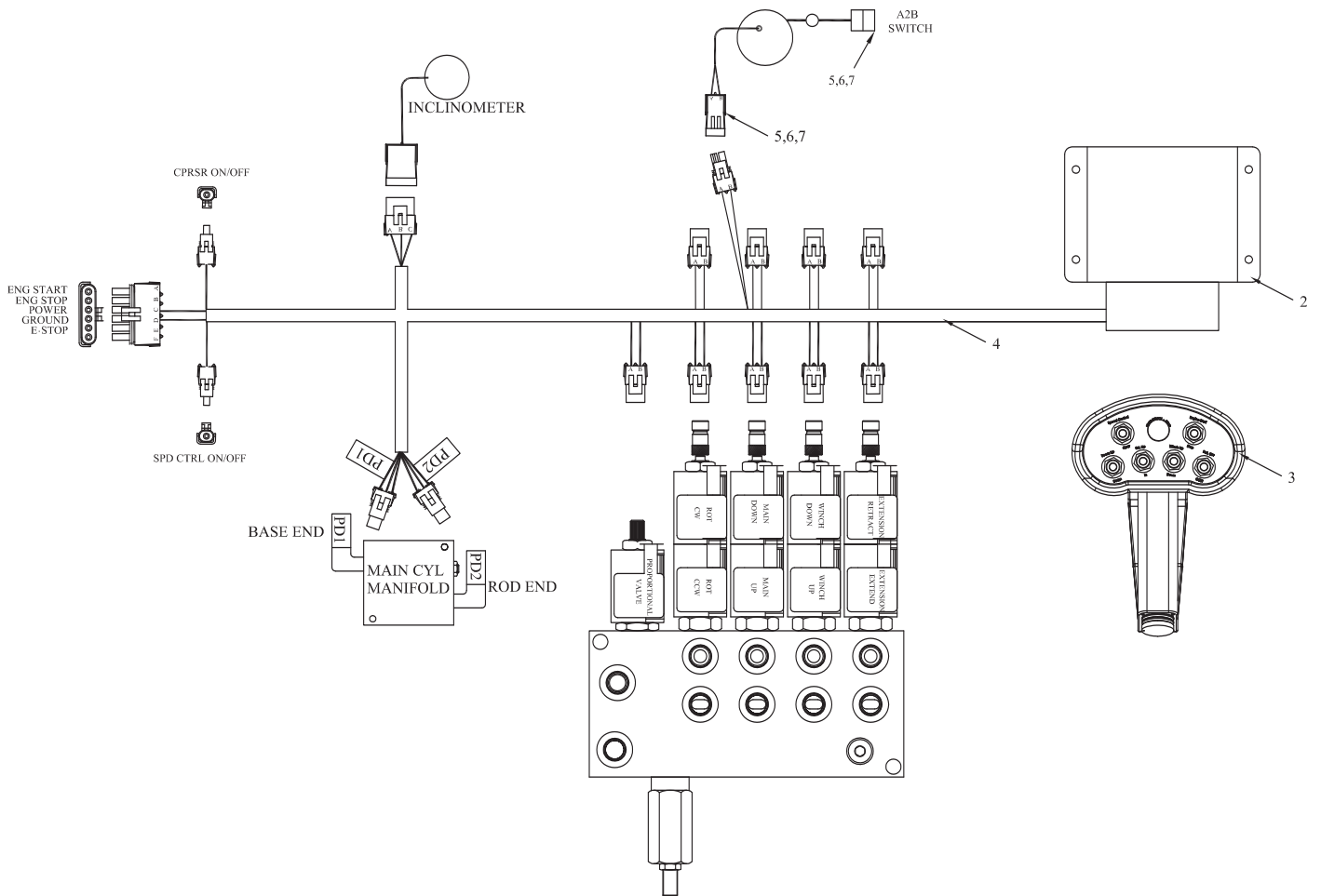


SINGLE PART LINE
SHEAVE FLIPPED UP

- 1.) REMOVE PIN B
- 2.) FLIP SHEAVE
- 3.) INSERT PIN B WITH SHEAVE IN UP POSITION

Chapter 8 - Hydraulics - Electrical

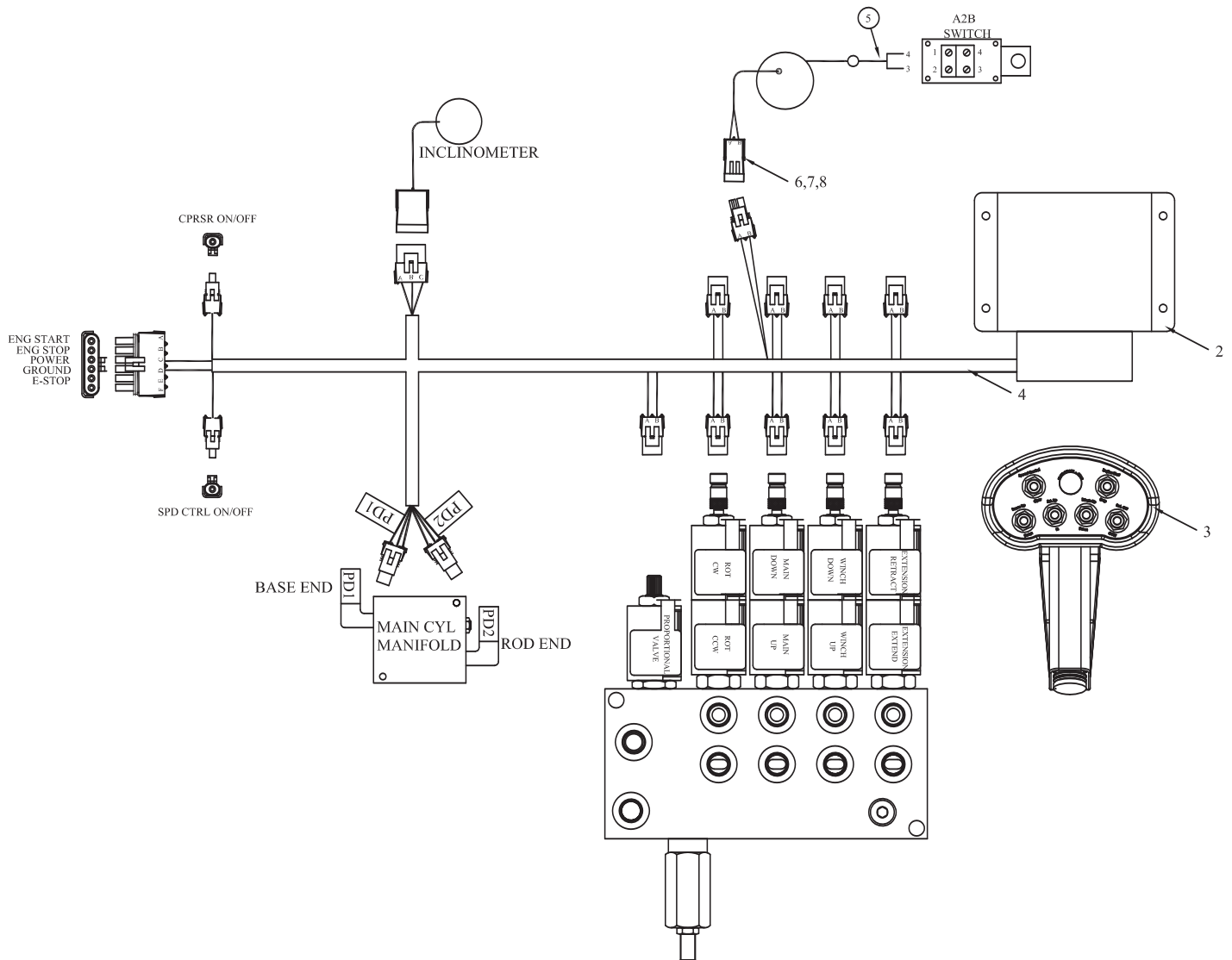
Control Kit - PN 54968



PN 54968

07	8384	CABLE SEAL	4
06	9752	CONNECT 2 PIN SHROUD	2
05	10978	CONTACT M/TERM SHROUD	4
04	46307	WIRE HARNESS 12621/12628 LMI	1
03	.	TRANSMITTER · RADIO (PART OF 1)	REF
02	.	RECEIVER · RADIO (PART OF 1)	REF
01	54966	RADIO CONTROLLER ASSEMBLY	1
ITEM	PART No.	DESCRIPTION	QTY

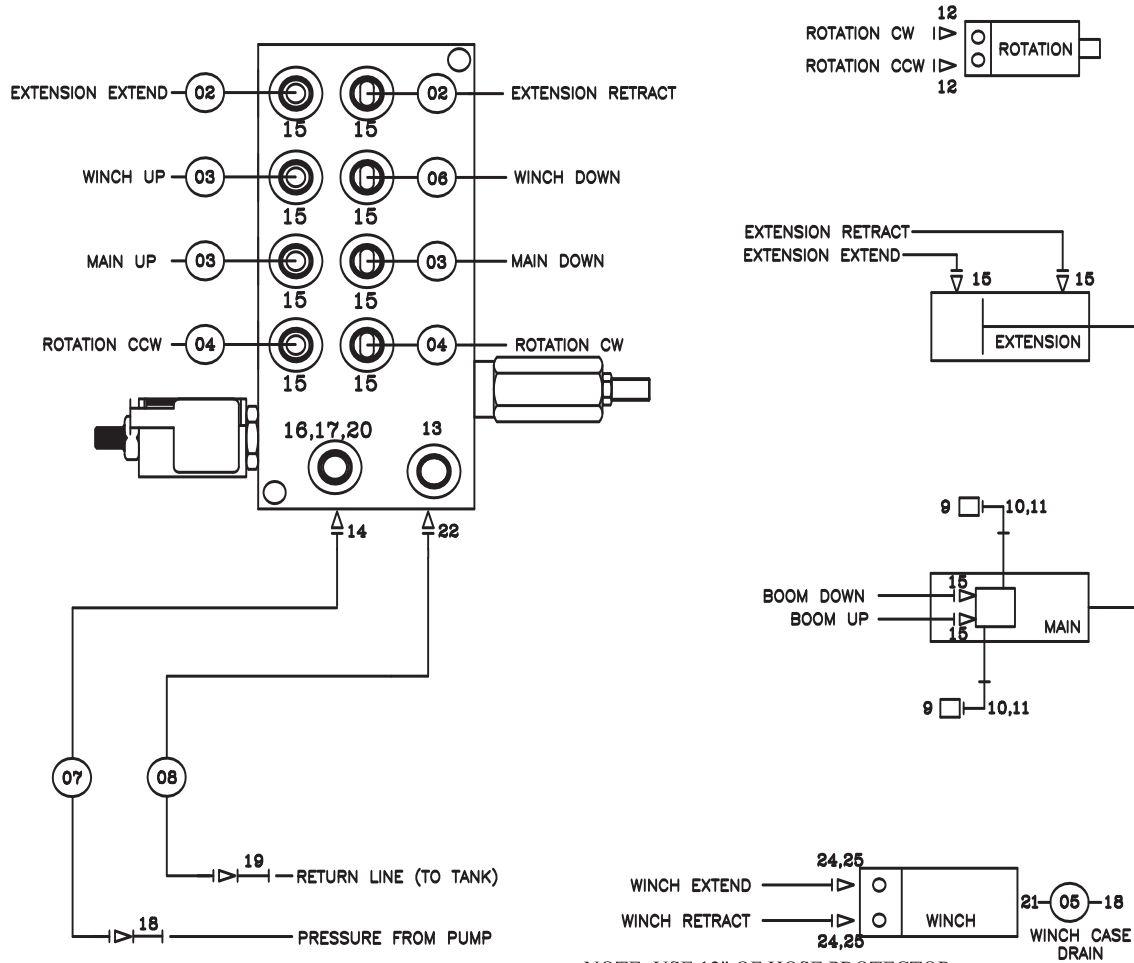
Control Kit (Flip Sheave Version) - PN 54967



PN 54967

08	10978	CONTACT M/TERM SHROUD	2
07	8384	CABLE SEAL	2
06	9752	CONNECT 2 PIN SHROUD	1
05	10965	CABLE GROMMET	1
04	46307	WIRE HARNESS 12621/12628 LMI	1
03	.	TRANSMITTER - RADIO (PART OF 1)	REF
02	.	RECEIVER - RADIO (PART OF 1)	REF
01	54966	RADIO CONTROLLER ASSEMBLY	1
ITEM	PART No.	DESCRIPTION	QTY

Hydraulic Kit - PN 52264



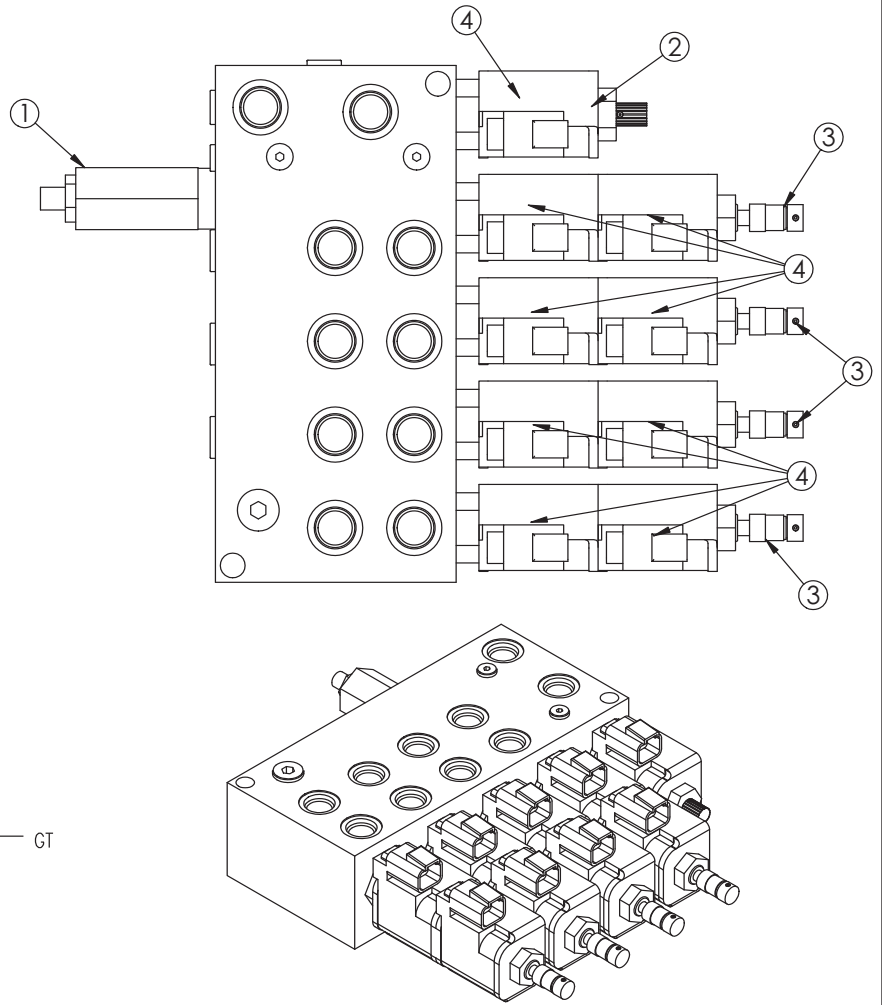
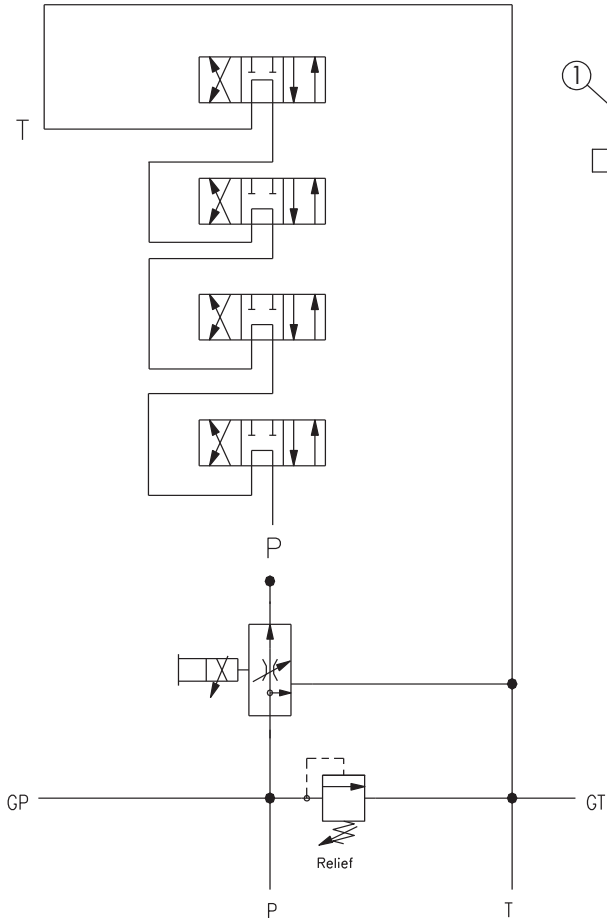
NOTE: USE 12" OF HOSE PROTECTOR
P/N 17288 OVER THE 3 WINCH HOSES

PN 52264

25	C5547	FTG ADAPT 90 6-8 C5OLO-S	2
24	D0549	FTG ADAPT 16-8 F5OG5-S	2
23	17288	HOSE PROTECTOR 1.00 AS-B-27	12"
22	C1175	FTG ELL 8-V5OLO-S	1
21	C4929	FTG ADAPT 6-4 F5OLO-S	1
20	D1430	FTG ADAPT O'RING FMP 6-1/4 F5OG-S	1
19	12172	FTG SWIVEL 0.50 FS/FS PS81 JMJM-8-8	1
18	12171	FTG SWIVEL 0.38 FS/FS PS81 JMJM-6-6	2
17	6397	GAUGE OIL LF 2.5" 0-5000 CBM	1
16	C5908	FTG 0.25 ML ELL	1
15	0279	FTG ADAPT 6 F5OLO-S	12
14	D1193	FTG ADAPT 6-V5OLO-S	1
13	C4961	PLUG STR HOLLOW HEX 0.38 6-HP5ON	1
12	D1302	FTG ADAPT 90 6-10-C5OLO-S	2
11	3861	FTG 90 MSTR/FSTR 6	2
10	15111	FTG ADAPT MSTH/FSTH 6-4-F5OG5	2
09	28485	TRANSDUCER PRESSURE 5000 PSI	2
08	45438	HOSE-HYD .50 X 8	1ref
07	45439	HOSE-HYD .38 X 9	1ref
06	52276	HOSE-HYD .38 X 25	1ref
05	28012	HOSE-HYD .38 X 36	1ref
04	13030	HOSE-HYD .38 X 39	2ref
03	13029	HOSE-HYD .38 X 22.50	3ref
02	13028	HOSE-HYD .38 X 17	2ref
01	52267	HOSE KIT12621/12628 (incl:2-8)	1
ITEM	PART No.	DESCRIPTION	QTY

Valve Bank - PN 52265

HYDRAULIC SCHEMATIC

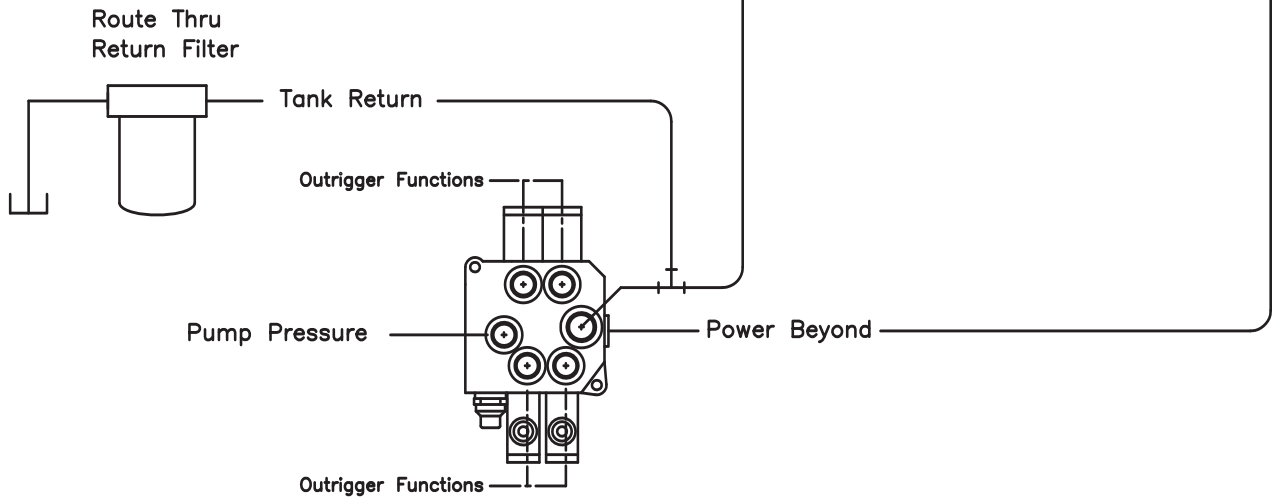
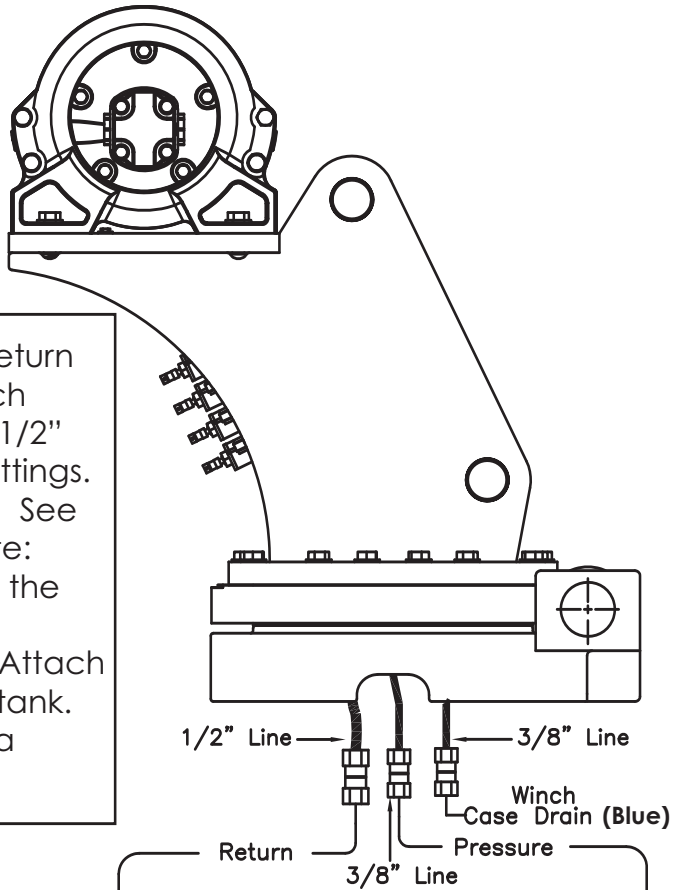


PN 52265

ITEM	PART	DESCRIPTION	QTY
1	25367	RELIEF VALVE 24685/24690	1
	25368	SEAL KIT 25367	
2	24960	VALVE FLW CTRL PRP/JP04C3150N 0-8	1
	25369	SEAL KIT 24960/25381	
3	25371	VALVE SOLND 3 POS 4 WAY TAND G04571	4
	25373	SEAL KIT 25371/25372	
4	44532	COIL 12VDC DUETSCH CAP012H	9

Hydraulic Installation

1. After mounting, locate the pressure and return lines. Note: Pressure line is 3/8" hose; Winch Case Drain Line is 3/8" hose; Return line is 1/2" hose. Hoses are terminated using swivel fittings.
2. Install hydraulic lines per diagram below. See next page for Case Drain Installation. Note: Outrigger valve supplies oil to crane using the Power Beyond feature.
3. Install hydraulic reservoir with return filter. Attach pump pressure line to valve, return link to tank.
4. Fill system with hydraulic oil (Petro-Canada HYDREX 32 (ISO 32) is recommended).



Typical Outrigger Valve with Power Beyond Capabilities

Winch Case Drain Installation

Installing the winch case drain

1. The winch case drain must run directly to the reservoir to ensure no back pressure in the line.
2. Use 3/8" hydraulic hose and fittings rated for a minimum of 300 psi.
3. Locate the winch case drain line at the bottom of the crane base as shown in Fig. 1 (Blue Hose).
Note: Both the main pressure and winch case drane line use a 3/8" swivel fitting. Verify the winch case drain is attached to the hose that is connected to the winch motor.
4. Attach one end of the winch case drain to 3/8 swivel fitting located in step 3.
5. Route the winch case drain hose directly to the reservoir.
6. Connect the second end of the winch case drain to unshared fitting on the top of the reservoir as shown in Fig 2.

Fig.1

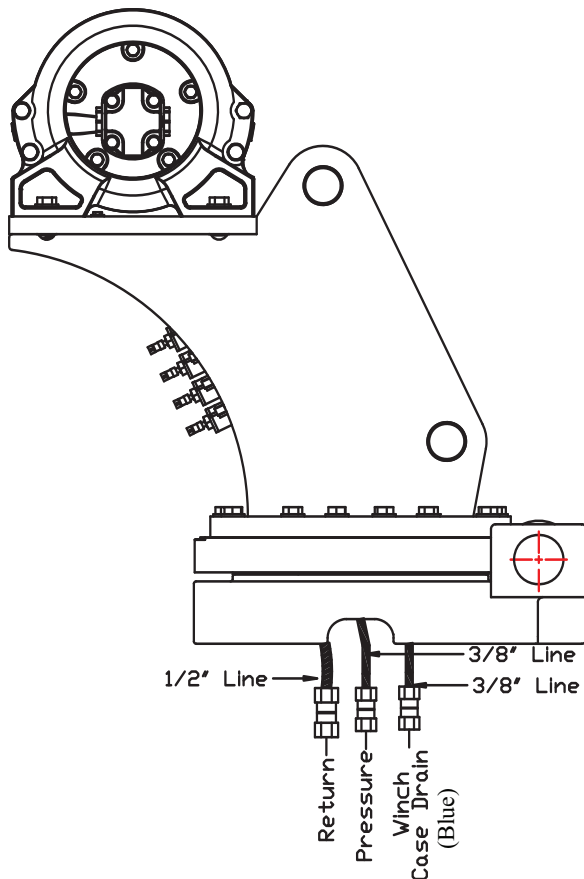
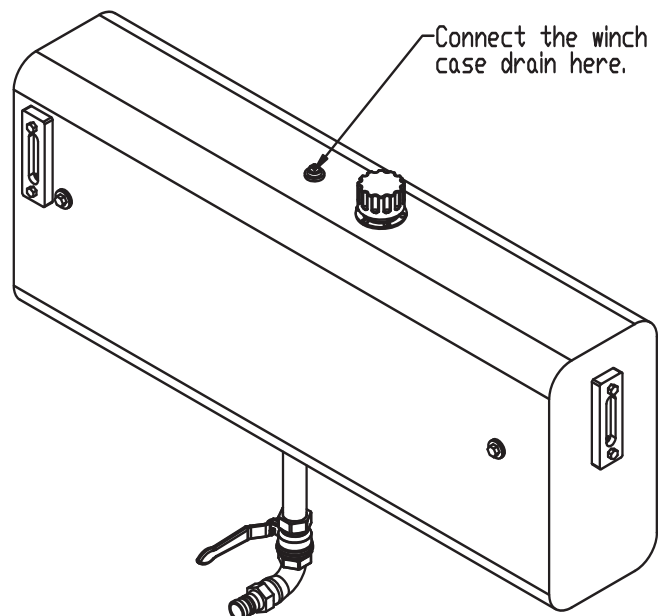
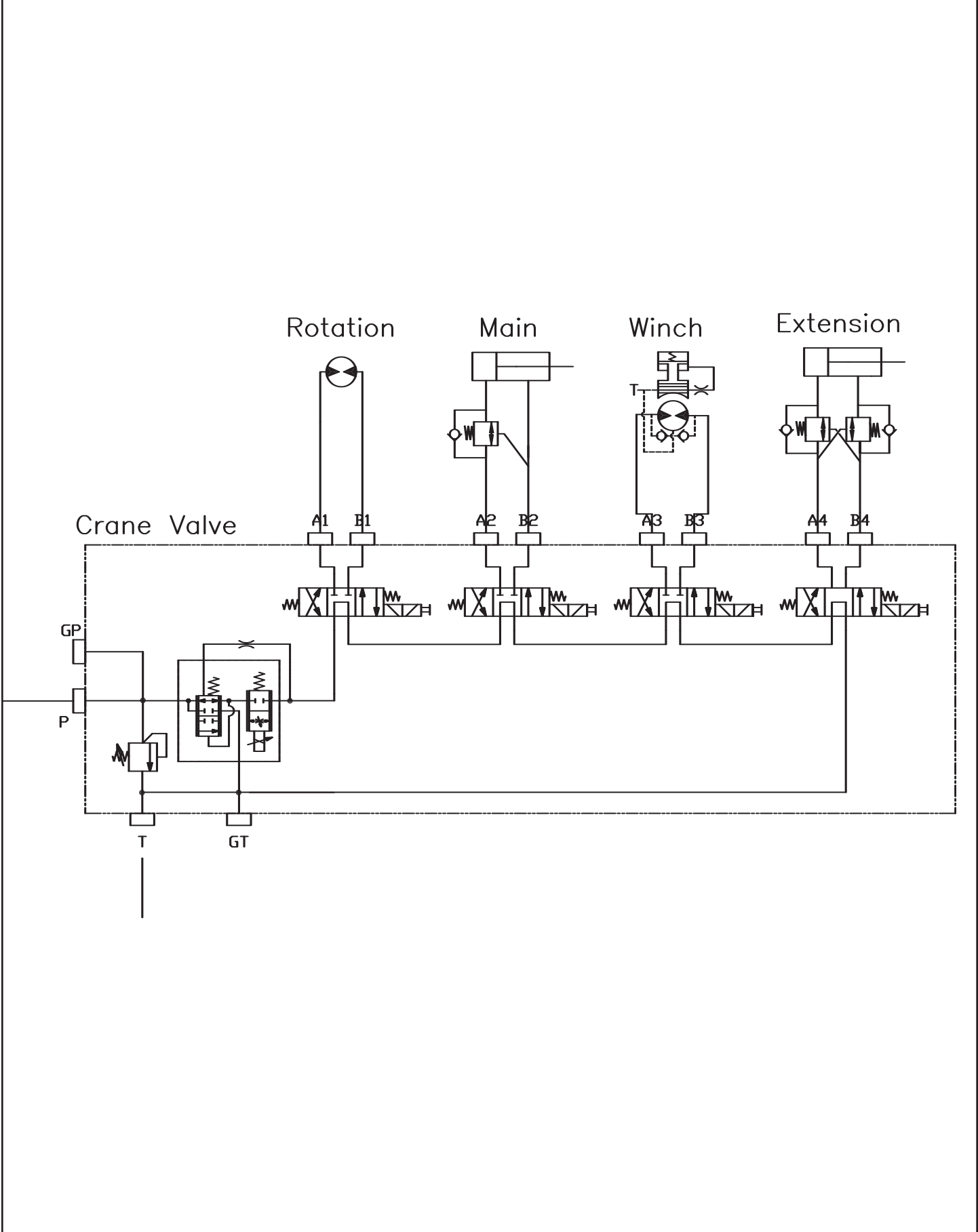


Fig. 2



Hydraulic System



Chapter 9 - Replacement Parts

PART#	DESCRIPTION
C6069	HYDRAULIC SWING MOTOR
25367	RELIEF VALVE
25368	SEAL KIT - RELIEF VALVE (25367)
24960	FLOW CONTROL VALVE
25369	SEAL KIT - FLOW VALVE (24960)
25371	SOLENOID VALVE TAND G04571
25373	SEAL KIT - SOLENOID VALVE (25371)
44532	COIL - 12VDC
39425	MANIFOLD - MAIN LIFT CYLINDER
41906	C-BALANCE VALVE - MAIN LIFT CYLINDER
41907	RELIEF VALVE - MAIN LIFT CYLINDER
41908	CHECK VALVE - MAIN LIFT CYLINDER
28485	PRESSURE TRANSDUCER
9803	C-BALANCE VALVE - EXTENSION CYLINDER
6397	HYD PRESSURE GUAGE
C2027	O'RING - # 4 FACE SEAL
C2028	O'RING - # 6 FACE SEAL
C2029	O'RING - # 8 FACE SEAL
D1245	O'RING - # 4 SAE
D1246	O'RING - # 6 SAE
D1247	O'RING - # 8 SAE
44066	HYD TUBE ASSY - MAIN LIFT CYLINDER
14442	HYD TUBE ASSY - EXTENSION CYLINDER
14443	HYD TUBE ASSY - EXTENSION CYLINDER
35655	SEAL KIT (MAIN LIFT CYLINDER)
54778	SEAL KIT - EXTENSION CYLINDER (UPPER)
20310	SEAL KIT - EXTENSION CYLINDER (LOWER)
	WORM GEAR - BEARING SWING DRIVE
	BEARING & SEAL KIT - BEARING SWING DRIVE
0068	BUSHING 1.00" X 1.50"
4381	BUSHING 2.00" X 2.00"
44533	BUSHING 2.00" X 0.75"
13403	WIRE ROPE
9363	WEAR PAD - 2.00" RND
9991	WEAR PAD - 2.50" RND
12824	HITCH PIN - 1.00" X 4.50"
5753	LYNCH PIN - 0.19" X 1.56"
13339	SHEAVE 8.00"
53493	INCLINOMETER 60 DEGREE
11938	LIMIT SWITCH - FLIP SHEAVE
31670	CHAIN & WEIGHT KIT - LIMIT SWITCH (FLIP SHEAVE)
35105	LIMIT SWITCH - CRADLE / BASKET
27710	SPRING - LIMIT SWITCH CRADLE / BASKET
19166	CORD REEL
54966	RADIO REMOTE ASSY - TRANSMITTER & RECEIVER
35441	BATTERY TUBE (AA) HOLDER (HETRONIC RADIO)
35916	BACK UP CORD 25FT (RADIO REMOTE SYSTEM)
25831	5-TON HOOK
19501	SAFETY LATCH ASM - 5 TON HOOK
C1592	GREASE ZERK
4460	GEAR BEARING GREASE - MOLUBE (Open Teeth)

Chapter 10 - Troubleshooting

This chapter will list a number of potential problems that may occur while operating the crane. Most problems are easily solved using the solutions portion of this chapter. If problems persist, please contact Customer Service at Stellar Industries 1-800-321-3741.

Problem: Crane will not operate.

Solutions:

- Make sure that the parking brake is engaged.
- Make sure that the PTO is engaged.
- Make sure that there is 12V power going to the radio receiver. If there is no power going to the receiver, trace back to the power source and check for a blown fuse or loose ground connection. Refer to radio remote troubleshooting guide at the end of this chapter.
- Make sure that the transmitter batteries are fully charged. (Rechargeable batteries are good for 11 months or 200 charges)
- Make sure that the hydraulic pump is operating at its rated flow or GPMs. Check the flow by using the flow meter to determine the GPMs. It is possible that the hydraulic pump is getting weak. If this is suspected, contact Stellar Customer Service.

Problem: Crane will operate manually but will not operate electrically.

Solutions:

- Make sure that there is 12V power going to the radio receiver. If there is no power going to the receiver, trace back to the power source and check for a blown fuse or loose ground connection. Refer to radio remote troubleshooting guide at the end of this chapter.
- Make sure that the parking brake is engaged.
- Make sure that the parking brake switch is working properly. Check the parking brake switch by performing a continuity test. If the switch is defective, simply replace it.

Problem: Not all crane functions operate using the radio remote transmitter or crane operates intermittently.

Solutions:

- Make sure that the toggle switch is working properly. If the switch is defective, simply replace it.
- Make sure that there is power going from the valve bank coil solenoid or to the function that will not operate. If no power is going to the coil solenoid, check wiring connections on wire harness plug connector for broken wires, loose connection or poor crimp. If power is going to the solenoid valve, it may not be opening to allow hydraulic oil to the function that is not operating. Remove stem valve, thoroughly clean, lubricate, and reinstall valve. Do not over tighten. If the valve will not close, simply replace it.

Problem: Two functions operate at the same time while only toggling one function.

Solutions:

- Make sure that the solenoid valves are all in the center position.
- Determine the function that is operating on its own. Check to see if there is power going to the solenoid valve from a function that should not be operating. If voltage is present at the solenoid valve without operating the function, the toggle switch has failed and is stuck in the "on" function. If no voltage is present, the solenoid valve may be partially open. Remove the stem valve, thoroughly clean, lubricate, and reinstall the valve. Do not over tighten. If valve will not close, simply replace it.

Problem: Winch brake will not hold.

Solutions:

- Check to see if the back pressure on the return line of the winch is greater than 50 psi. Try operating a function other than the winch. Operate the function both ways and then stop. Now operate the winch. If the brake still does not hold, contact Customer Service at Stellar.

Problem: Winch will not hold load.**Solutions:**

- Make sure that the object being lifted does not exceed the rated capacity of the winch. Refer to the capacity chart. If the object is within the rated capacity, reposition the truck and try to lift the object without using the crane boom extensions.
- Make sure that the relief valve on the winch is set correctly. Readjust the relief valve if necessary.

Problem: Crane only operates at full speed.**Solutions:**

- Check to see if there is 12V power constantly going to the proportional valve. If 12 volts are showing up at the proportional valve without pulling on the transmitter trigger, the handle/trigger assembly may be defective. If 8 volts are showing at the proportional valve, it is possible that the valve is stuck open and will not close. Remove the valve, clean it thoroughly and reinstall. Do not over tighten. If the problem persists, replace the proportional valve.
- Check to see if the manual override on the proportional valve is turned out. Turn the manual override on the flow valve in.

Problem: Crane operates slowly.**Solutions:**

- Make sure that the crane is receiving the recommended GPMs to operate.
- Check the level of hydraulic fluid in the reservoir. Add fluid as needed.
- Check to see if the valve bank orifice is plugged. If so, replace the orifice. Call Stellar Customer Service for instructions.
- Make sure the proportional valve is receiving 12V power when fully engaging the transmitter trigger. If there is not 12V power while pulling the trigger, check for loose connections inside the transmitter or replace the handle trigger assembly. If the proportional valve is receiving 12 volts, loosen the solenoid holding nut and check to see if the solenoid coil is magnetizing. If no polarity is present, replace the coil. If coil is magnetizing, remove the stem valve, thoroughly clean, lubricate, and reinstall the valve.

Problem: Winch "Up", Main Cylinder "Down", and Extension Cylinder "Out" are the only functions that don't operate.**Solutions:**

- Make sure that the unit 2-block weight and chain on the end of the boom are straight so they slide easily along the wire rope cable.
- Make sure that the limit switch is working properly. Disconnect the two wires connected to the limit switch and tie them together. If all functions operate, replace the limit switch.
- Make sure that the cord for the cord reel is undamaged. Check the continuity of the cord. Disconnect the cord reel from the crane harness and bypass the harness connection. If the crane operates properly, replace cord reel.

Problem: Cylinder drifts outward or downward.**Solutions:**

- Check to see if there is air in the hydraulic system. Operate all cylinders connected to the hydraulic system. Start with the extension cylinder, then operate the main boom, winch, rotation, and ending with the hydraulic outriggers, if installed. When operating, extend each cylinder halfway out, retract all the way in, and then extend until the cylinder rod is at the end of its stroke. Operate cylinders slowly so air is pushed thru the system to the reservoir. Repeat this cycle 2-3 times.
- Make sure the holding valves are operating properly. Remove, clean, and then inspect each holding valve. When removing a holding valve, always relieve the pressure inside the cylinder by loosening jam nut of the holding valve and turning set screw inward/clockwise. Count the number of turns until the set screw is seated. When reinstalling the holding valve, make sure the valve is reset by turning the set screw the number of turns it took to relieve the pressure. Finish by tightening the jam nut.
- Check the cylinder rod for scratches. If a scratch is located on the cylinder rod, hydraulic fluid can pass thru and cause a loss of pressure. Replace cylinder rod or cylinder.
- Check to see if the piston seals are damaged. If they show signs of damage, install a new cylinder seal kit.

CDT Hetric Radio Remote Troubleshooting

Symptom	Probable Cause	Remedy
System will not initialize after normal start-up procedure	Transmitter batteries fully discharged	Check batteries to ensure a full charge. Replace with fully charged batteries if necessary.
	No power to the receiver	Check the receiver to be sure power is applied. Ensure that the system is properly grounded.
Transmitter is transmitting (Power LED flashing), but machine will not respond Always match the receiver address and frequency channel to the transmitter.	Transmitter out of range	Take the transmitter back into the range of the receiver. Restart.
	A motion function was not in OFF position when transmitter turned on	Ensure that all switches are in OFF (neutral) position when the Start switch is activated.
	Receiver power off	Turn on power to receiver.
	Transmitter/receiver frequency channels do not match	Check frequency settings to be sure transmitter and receiver are set to same frequency channel
All machine motions operate intermittently	Receiver antenna connection is loose or missing	Tighten or replace antenna.
	Surge suppressors not installed on contactors	Install RC type surge suppressors on all magnetic contactors that are controlled by the radio remote control system
	Control wiring too close to high power machine wiring	Control wiring must be run separately from high power machine wiring.
	Another frequency may be interfering with the system.	
Some machine motions operate intermittently	machine motion wiring may be loose.	Check wiring from receiver to plug and from plug to machine motion actuator.
	Connector inside receiver is loose	Check all connectors, reseal if necessary.
	Surge suppressors not installed on contactors	Install RC type surge suppressors on all magnetic contactors that are controlled by the radio remote control system
	Control wiring too close to high power machine wiring	Control wiring must be run separately from high power machine wiring.



Limited Warranty Statement

Stellar Industries, Inc. (Stellar) warrants products designed and manufactured by Stellar to be free from defects in material and workmanship under proper use and maintenance. Products must be installed and operated in accordance with Stellar's written instructions and capacities. This warranty shall cover the following:

Stellar Cranes, Stellar Hooklift Hoists, Stellar Cable Hoists, Stellar Container Carriers, Stellar Service Trucks, and Stellar X-Tra-Lift Systems:

Twelve (12) month warranty on parts from the date recorded by Stellar as the in-service date, not to extend beyond twenty-four (24) months from date of manufacture.

Twelve (12) month repair labor from the date recorded by Stellar as the in-service date, not to extend beyond twenty-four (24) month from date of manufacture, and

Thirty-six (36) month warranty on all Stellar Manufactured structural parts from the date recorded by Stellar as the in-service date, not to extend beyond forty-eight (48) months from date of manufacture.

Stellar Tarper Systems:

Twelve (12) month warranty on parts from the date recorded by Stellar as the in-service date, not to extend beyond twenty-four (24) months from date of manufacture and

Three (3) month repair labor from the date recorded by Stellar as the in-service date, not to extend beyond fifteen (15) month from date of manufacture.

The in-service date will be derived from the completed warranty registration card. In the event a warranty registration card is not received by Stellar, the factory ship date will be used.

Stellar's obligation under this warranty is limited to, and the sole remedy for any such defect shall be, the repair and/or replacement (at Stellar's option) of the unaltered part and/or component in question. Stellar after-sales service personnel must be notified by telephone, fax, or letter of any warranty-applicable damage within fourteen (14) days of its occurrence. If at all possible, Stellar will ship the replacement part within 24-hours of notification by the most economical, yet expedient, means possible. Expedited freight delivery will be at the expense of the owner.

Warranty claims must be submitted and shall be processed in accordance with Stellar's established warranty claim procedure. Stellar after-sales service personnel must be contacted prior to any warranty claim. A return materials authorization (RMA) account number must be issued to the claiming party prior to the return of any warranty parts. Parts returned without prior authorization will not be recognized for warranty consideration. All damaged parts must be returned to Stellar freight prepaid; freight collect returns will be refused. Freight reimbursement of returned parts will be considered as part of the warranty claim.

Warranty service will be performed by any Stellar new equipment distributor, or by any Stellar-recognized service center authorized to service the type of product involved, or by the Stellar factory in the event of a direct sale. At the time of requesting warranty service, the owner must present evidence of date of delivery of the product. The owner shall be obligated to pay for any overtime labor requested of the servicing company by the owner, any field service call charges, and any towing and/or transportation charges associated with moving the equipment to the designated repair/service provider.

All obligations of Stellar and its authorized dealers and service providers shall be voided if someone other than an authorized Stellar dealer provides other than routine maintenance service without prior written approval from Stellar. In the case repair work is performed on a Stellar-manufactured product, original Stellar parts must be used to keep the warranty in force. The warranty may also be voided if the product is modified or altered in any way not approved, in writing, by Stellar.

The owner/operator is responsible for furnishing proof of the date of original purchase of the Stellar product in question. Warranty registration is the ultimate responsibility of the owner and may be accomplished by the completion and return of the Stellar product registration card provided with the product. If the owner is not sure of registration, he is encouraged to contact Stellar at the address below to confirm registration of the product in question. This warranty covers only defective material and workmanship. It does not cover depreciation or damage caused by normal wear and tear, accident, mishap, untrained operators, or improper or unintended use. The owner has the obligation of performing routine care and maintenance duties as stated in Stellar's written instructions, recommendations, and specifications. Any damage resulting from owner/operator failure to perform such duties shall void the coverage of this warranty. The owner will pay the cost of labor and supplies associated with routine maintenance.

The only remedies the owner has in connection with the breach or performance of any warranty on the Stellar product specified are those set above. In no event will Stellar, the Stellar distributor/dealer, or any company affiliated with Stellar be liable for business interruptions, costs of delay, or for any special, indirect, incidental, or consequential costs or damages. Such costs may include, but are not limited to, loss of time, loss of revenue, loss of use, wages, salaries, commissions, lodging, meals, towing, hydraulic fluid, or any other incidental cost.

All products purchased by Stellar from outside vendors shall be covered by the warranty offered by that respective manufacturer only. Stellar does not participate in, or obligate itself to, any such warranty.

Stellar reserves the right to make changes in design or improvement upon its products without imposing upon itself the same upon its products theretofore manufactured.

This warranty will apply to all Stellar Cranes, Stellar Hooklift Hoists, Stellar Cable Hoists, Stellar Container Carriers, Stellar Service Trucks, Stellar X-Tra-Lift Systems, and Stellar Tarper Systems shipped from Stellar's factory after January 1st, 2010. The warranty is for the use of the original owner only and is not transferable without prior written permission from Stellar.

THIS WARRANTY IS EXPRESSLY IN LIEU OF ANY OTHER WARRANTIES, EXPRESS OR IMPLIED, INCLUDING ANY WARRANTY OF MERCHANTABILITY OR FITNESS FOR A PARTICULAR PURPOSE. REMEDIES UNDER THIS WARRANTY ARE LIMITED TO THE PROVISION OF MATERIAL AND SERVICES, AS SPECIFIED HEREIN. STELLAR INDUSTRIES, INC. IS NOT RESPONSIBLE FOR INCIDENTAL OR CONSEQUENTIAL DAMAGES.

Revision Date: February 2010

Document Number: 37040