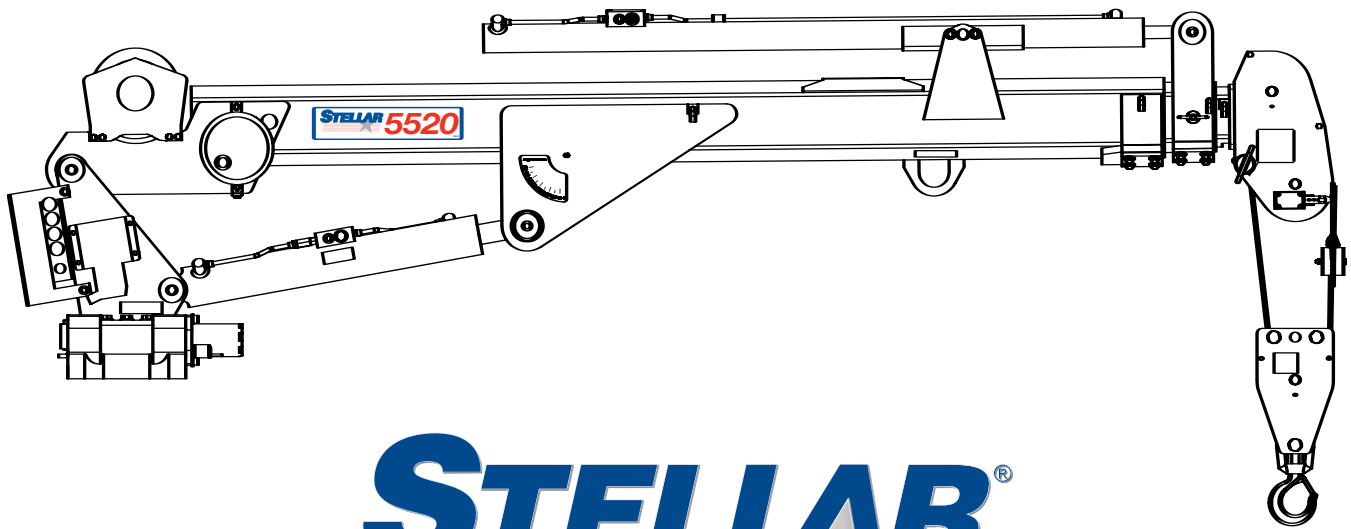


# OWNER'S MANUAL

Safety, Installation, Maintenance, and Operation

## 5520 Telescopic Crane



Stellar Industries, Inc.  
190 State Street  
PO Box 169  
Garner, IA 50438  
800-321-3741  
Fax: 641-923-2811  
[www.stellarindustries.com](http://www.stellarindustries.com)

# 5520 Manual Revisions

Date of Revision	Section Revised	Description of Revision
September 9, 2006	Chapter 7: Assembly Drawings	Updated Cable and Hook assembly drawings to reflect engineering changes.
November 7, 2006	Chapter 7: Assembly Drawings Chapter 8: Hydraulics-Electrical	Updated Base assembly drawings and Hydraulic schematics to reflect engineering changes
April 12, 2007	Chapter 5: Decals	Updated decal kit drawing.
June 15, 2007	Chapter 7: Assembly Drawings	Updated Main Cylinder drawing to reflect engineering changes.

# Table of Contents

---

<i>Introduction</i> . . . . .	<i>ii</i>
<b>Chapter 1 - Safety</b> . . . . .	<b>1</b>
Crane Controls . . . . .	3
<b>Chapter 2 - Operation</b> . . . . .	<b>5</b>
Unit Operation Overview . . . . .	5
6 Function Hetronic Remote . . . . .	6
Manual Operation . . . . .	7
Operator Information . . . . .	8
<b>Chapter 3 - Maintenance</b> . . . . .	<b>9</b>
Lubrication Recommendations . . . . .	11
Wire Rope Maintenance . . . . .	12
Torque Data Chart . . . . .	13
Inspection Checklist . . . . .	14
Daily Inspection . . . . .	15
Monthly Inspection . . . . .	16
Quarterly Inspection . . . . .	17
Annual Inspection . . . . .	19
Inspection Notes . . . . .	20
<b>Chapter 4 - Specifications</b> . . . . .	<b>21</b>
Capacity Chart - Decal PN 13758 . . . . .	22
<b>Chapter 5 - Decals</b> . . . . .	<b>23</b>
Decals of Note . . . . .	23
Decal Kit Placement - PN 23909 . . . . .	28
<b>Chapter 6 - Installation</b> . . . . .	<b>29</b>
Installation Overview . . . . .	30
Installation Details . . . . .	31
Stability Procedure . . . . .	33
Stability Capacity Chart . . . . .	34
<b>Chapter 7 - Assembly Drawings</b> . . . . .	<b>35</b>
Base Assembly - PN 21814 . . . . .	35
Mast Assembly - PN 21815 . . . . .	36
Power Unit Assembly (Electric Version Only) - PN 23913 . . . . .	37
Main Boom Assembly - PN 21816 . . . . .	38
Extension Boom Assembly - PN 21817 . . . . .	39
Extension Boom Assembly (Optional)- PN 28693 . . . . .	40
Main Cylinder Assembly - PN 26847 . . . . .	41
Extension Cylinder Assembly - PN 26848 . . . . .	42
Cable & Hook Assembly - PN 38202 . . . . .	43
Basket Cable & Hook Assembly (Optional)- PN 43537 . . . . .	44
<b>Chapter 8 - Hydraulics - Electrical</b> . . . . .	<b>45</b>
Control Kit (Electrical Version) - PN 18467 . . . . .	45
Control Kit (Hydraulic Version) - PN 14035 . . . . .	46
Hydraulic Kit (Electrical Version) - PN 23898 . . . . .	47
Hydraulic Kit (Hydraulic Version) - PN 23901 . . . . .	48
Valve Bank - PN 24690 . . . . .	49
Hydraulic Installation . . . . .	50
Hydraulic System . . . . .	51
<b>Chapter 9 - Replacement Parts</b> . . . . .	<b>53</b>
<b>Chapter 10 - Troubleshooting</b> . . . . .	<b>55</b>
6 Function Hetronic Radio Remote Troubleshooting . . . . .	57
Receiver Troubleshooting . . . . .	58
Transmitter Troubleshooting . . . . .	58
4 & 7 Function Hetronic Radio Remote Troubleshooting . . . . .	59
<i>Warranty Information</i> . . . . .	<i>60</i>

# Introduction

Stellar Cranes are designed to provide safe and dependable service for a variety of operations. With proper use and maintenance, these cranes will operate at peak performance for many years.

To promote this longevity, carefully study the information contained in this manual before putting the equipment into service. Though it is not intended to be a training manual for beginners, this manual should provide solid guidelines for the safe and proper usage of the crane.

Once you feel comfortable with the material contained in this manual, strive to exercise your knowledge as you safely operate and maintain the crane. This process is vital to the proper use of the unit.

### A few notes on this manual:

A copy of this manual is provided with every crane and shall remain with the crane at all times. Information contained within this manual does not cover all maintenance, operating, or repair instructions pertinent to all possible situations.

Please be aware that some sections of this manual contain information pertaining to

Stellar manufactured cranes in general and may or may not apply to your specific model.

This manual is not binding. Stellar Industries, Inc. reserves the right to change, at any time, any or all of the items, components, and parts deemed necessary for product improvement or commercial/production purposes. This right is kept with no requirement or obligation for immediate mandatory updating of this manual.

### In closing:

If more information is required or technical assistance is needed, or if you feel that any part of this manual is unclear or incorrect, please contact the Stellar Customer Service Department by phone at 800-321-3741 or email at [service@stellarindustries.com](mailto:service@stellarindustries.com).

**ATTENTION**  
**Failure to adhere to the instructions could result in property damage or even serious bodily injury to the operator or others close to the crane.**

**For Technical Questions, Information, Parts, or Warranty, Call Toll-Free at  
800-321-3741**

Hours: Monday - Friday, 8:00 a.m. - 5:00 p.m. CST

Or email at the following addresses:

**Technical Questions, and Information**

[service@stellarindustries.com](mailto:service@stellarindustries.com)

**Order Parts**

[parts@stellarindustries.com](mailto:parts@stellarindustries.com)

**Warranty Information**

[warranty@stellarindustries.com](mailto:warranty@stellarindustries.com)

# Chapter 1 - Safety

**Please Read the Following Carefully!** This portion of the manual contains information regarding all Stellar manufactured cranes. Some items contained within this chapter may not apply to your specific equipment.

Safety should be the number one thought on every operator's mind. Three factors should exist for safe operation: a qualified operator, well-maintained equipment, and the proper use of this equipment. The following information should be read and understood completely by everyone working with or near the crane before putting the unit into operation.

Please take note that Stellar Industries, Inc. is not liable for accidents incurred by the crane because of non-fulfillment from the operator's side of current rules, laws, and regulations.

## GENERAL

It is the responsibility of the owner to instruct the operator in the safe operation of your equipment and to provide the operator with properly maintained equipment.

Trainees or untrained persons shall be under the direct supervision of qualified persons.

Do not operate equipment under the adverse influence of alcohol, drugs, or medication.

## PERSONAL SAFETY

Keep clear of all moving parts.

Always wear the prescribed personal safety devices.

Always wear approved accident-prevention clothing such as: protective helmets, anti-slip shoes with steel toes, protective gloves, anti-noise headphones, protective glasses, and reflective jackets with breathing apparatus. Consult your employer regarding current safety regulations and accident-prevention equipment.

Do not wear rings, wristwatch, jewelry, loose-fitting or hanging clothing such as ties, torn garments, scarves, unbuttoned jackets or unzipped overalls, which could get caught up in the moving parts of the crane.

Keep a first-aid box and a fire extinguisher readily available on the truck. Regularly check to make sure the fire extinguisher is fully charged and the first-aid kit is stocked.

Do not use controls and hoses as handholds. These parts move and cannot provide stable support.

Never allow anyone to ride the crane hook or load.

## MAINTENANCE SAFETY

Never modify or alter any of the equipment, whether mechanical, electrical, or hydraulic, without explicit approval from Stellar Industries.

Do not perform any maintenance or repair work on the crane unless authorized and trained to do so.

Release system pressure before attempting to make any adjustments or repairs.

Do not attempt service or repair when the PTO is engaged.

Failure to correctly plumb and wire the crane can cause a malfunction and damage to the crane and/or operator.

Decals are considered safety equipment. They must be maintained, as would other safety devices. Do not remove any Decals. Replace any Decals that are missing, damaged, or not legible.

The safety instruction plates, notices, load charts and any other sticker applied to the crane or service body must be kept legible and in good condition. If necessary, replace them.

## **STABILITY**

Know the crane components and their capabilities and limitations. Overloading the crane may result in serious injury to self and others, and damage to the equipment and immediate surroundings.

Never exceed manufacturer's load ratings. These ratings are based on the machine's hydraulic, mechanical, and structural design rather than stability.

The supporting surface under the service truck must be able to support the weight of the machine and its load. Use outrigger pads if necessary.

Park the vehicle on level ground and extend the outriggers fully out and then down.

Keep feet and legs clear when lowering outrigger jacks.

Never operate the crane without making sure the outriggers are positioned on stable, flat ground.

Set the parking brake and disengage the drive axle before attempting a lift.

## **LOAD SAFETY**

Operate the crane in compliance with the load capacity chart at all times. Know the weight of the load being lifted. Do not rely on the overload device to determine maximum rated loads. If the crane is picking more than the maximum rated load, the overload protection device may be malfunctioning. Discontinue use immediately and contact Stellar Customer Service for support.

Never use a sling bar or anything larger than the hook throat that could prevent the hook latch from closing. This would negate the safety feature.

Do not apply side loads to the booms.

Do not leave a crane load suspended or unattended.

Do not walk under suspended loads.

Do not position any load over a person nor should any person be permitted to place him or herself under a load.

Do not use the boom or the winch to drag a load.

Do not use the crane boom to push downward onto anything.

## **ELECTROCUTION**

Allow extra space for swaying power lines in windy conditions.

Keep a minimum of ten feet between any portion of the crane and an electrical line. Add an additional 12" for every additional 30,000 Volts or less.

Remember - Death or serious injury can occur when working near power lines or during electrical storms.

Use a signal person when operating near electrical sources.

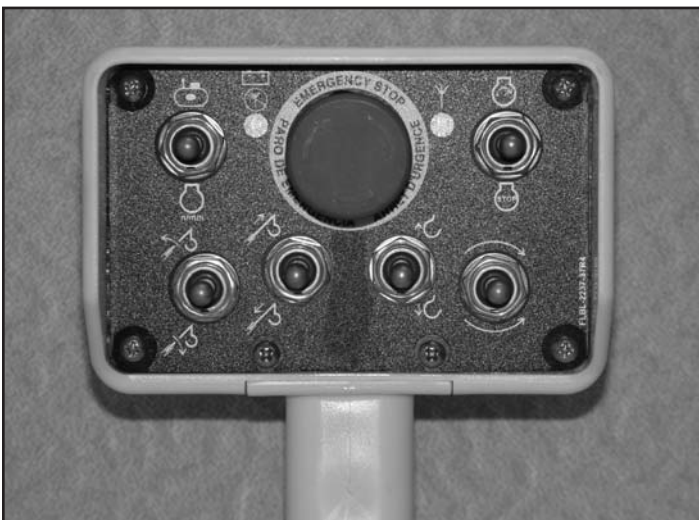
## **ENVIRONMENT**

Do not operate the crane during electrical storms.

In extreme cold, allow adequate time to warm the truck before engaging the PTO. Do not rev the truck engine and over speed the hydraulic pumps as permanent damage to the pumps may occur. Follow the vehicle owner's manual regarding operating the vehicle in such adverse conditions.

In dusty work areas, every effort must be taken to keep dust and sand out of the moving parts of the machinery.

In high humidity work areas, keep parts as dry as possible and well lubricated.



Be familiar with your remote control and how it works before operating the crane.

## Crane Controls

1. Be familiar with the sequence and operation of the crane controls.
2. Each individual crane function should have control function decals. Replace them immediately if they are missing or illegible.
3. Keep hands, feet, and control levers free from mud, grease, and oil.
4. Be familiar with the remote control and how it operates before attempting to lift a load.
5. Be prepared before beginning operation of the crane:
  - All protective guards must be in place.
  - Be aware of the surroundings: low branches, power lines, unstable ground.
  - Be sure all safety devices provided are in place and in good operating condition.
  - Be prepared for all situations. Keep fire extinguisher and first aid kit near.
  - Be sure all regular maintenance has been performed.
  - Visually inspect all aspects of the crane for physical damage.
  - Check for fluid leaks.
  - Make sure the outriggers are down and stable.

## ATTENTION

**Stellar Industries, Inc. is not liable for accidents incurred by the crane because of the operator's non-fulfillment of current rules, laws and regulations.**





# Chapter 2 - Operation

This chapter contains information regarding the operation of Stellar manufactured telescopic cranes. Please study the following pages to ensure your familiarity with the operation process. This understanding is vital to the safe and efficient operation of the crane.

## Unit Operation Overview


1. Engage the PTO
2. Turn on Power to Crane
3. Position Outriggers
4. Operate Crane
5. Store Outriggers
6. Turn Off Power to Crane
7. Disengage the PTO

### Job-Site Set-Up

**Thoroughly plan the lift before positioning the vehicle. Consider the following:**

1. The vehicle should be positioned in an area free from overhead obstructions to eliminate the need for repositioning.
2. Position the vehicle so that it is impossible for any portion of the equipment to come within the minimum required safe distance of any power line. Maintain a clearance of at least 10 feet between any part of the crane, load line, or load, and any electrical line or apparatus carrying up to 50,000 volts. One foot additional clearance is required for every additional 30,000 volts or less. Remember to allow for winds that cause power lines to sway. It is recommended that a signal person be used when the vehicle is set-up near power lines.
3. The vehicle should also be positioned on a firm and level surface that will provide adequate support for the outrigger loading. Use extreme caution when setting up near overhanging banks or excavations.
4. The parking brake must be set on the vehicle and the drive axle disengaged before performing a crane operation.
5. The outriggers must be extended to stabilize the truck before beginning operation.

### 1. Engage the PTO

- A. Engage the parking brake.
  - B. Place the transmission in the Neutral position.
  - C. Make certain the PTO switch is in the 'off' position.
- 
- PTO Switch
- D. Start the vehicle engine.
  - E. Depress the clutch on manual transmission vehicles.
  - F. Engage the PTO switch for cable and air type shifters. Turn on the dash switch for electrical operated style. Consult vehicle owner's manual for location and operation of OEM style in-dash PTO switch.
  - G. Slowly release the clutch on a manual transmission vehicle.
  - H. Allow a few moments to warm the hydraulic system oil. In cold weather, it is especially important to let the system run for a few minutes before operating.

### 2. Turn on Power to Crane

Activate power to the crane and outriggers. The power switch is located on the control panel in the vehicle cab.

### 3. Position Outriggers

Once the PTO is engaged, extend the outriggers using the control levers or switches marked 'outrigger'. These may be located on the crane base or in the compartment under the crane.

## 6 Function Hetronic Remote



### 4. Operate Crane

- A. Turn on necessary power to the crane.
- B. Activate toggle switch for desired crane function.
- D. Activate the variable speed trigger to control the desired function.
- E. When operation is complete, store remote handle in a safe, dry location.

### 5. Store Outriggers

Retract outriggers using the control levers or switches marked 'outrigger'.

### 6. Turn Off Power to Crane

Deactivate power to crane and outriggers.

### 7. Disengage the PTO

- A. On manual transmission vehicles, depress the clutch pedal completely.
- B. Disengage the PTO switch.
- C. If vehicle is a manual transmission, release the clutch pedal gradually.

**NOTE: The radio control is an electrical device. Please handle with care!**

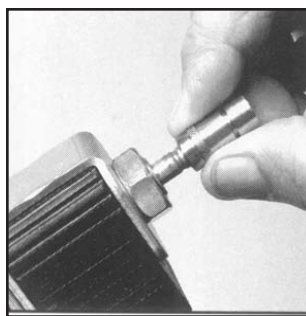
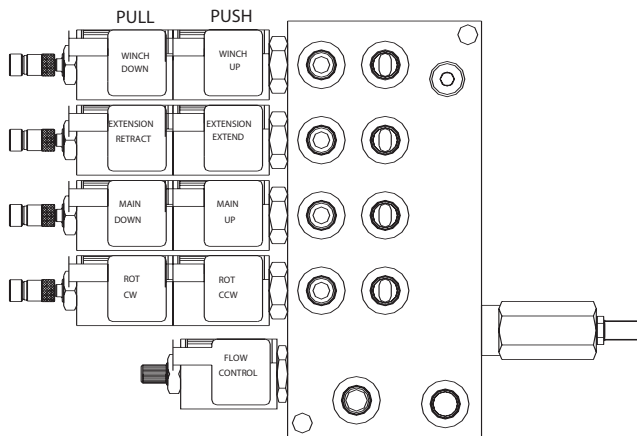


*Variable Speed Trigger on remote.  
The crane should not function until the trigger has been activated. The speed of the crane will vary in direct correlation with how much or how little the trigger is engaged.*

# Manual Operation

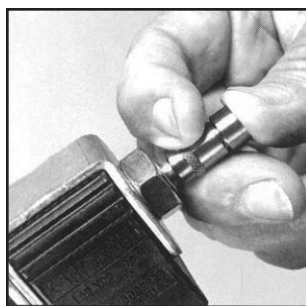
**If the remote control malfunctions, follow these steps to operate the crane manually:**

- 1. Activate Flow Control.** Turn the override screw on flow control counter-clockwise. Full adjustment is between three and five turns.
- 2. Operate Solenoids.** Slide the knurled sleeve out and then push or pull to operate, as shown below. Be sure the sleeve is in the center, locked, position before returning to remote operation.
- 3. Deactivate flow control.** Turn the override screw clockwise until stopped. Full adjustment is between 3 and 5 turns.
- 4. Have unit serviced immediately to restore remote control functionality.**



## Manual Override Pull Function

The knurled sleeve is pulled all the way out together with the knob to manually override the pull solenoid function.



## Manual Override Push Function

The knurled sleeve should first be pulled to unlatch the ball latching mechanism and then, while holding the sleeve back, the override knob should be pushed all the way in to override the push solenoid.

## Crane Precautions

1. Movement of the control levers should be slow and smooth to meter oil flow for safe operation. Avoid jerky and sudden movements.
2. The crane controls should be clearly marked with decals. If these are missing or illegible, replace immediately. (See Chapter 5: Decals)
3. Lift load slightly off the ground to check the safety of the cargo. Do not use stability to determine the safety. Consult the capacity charts and strictly adhere to them.
4. Be constantly aware of the boom position when operating the controls.
5. The boom tip should be centered directly over the load before making the lift to avoid swinging.
6. Do not drag loads with the crane.
7. Do not attempt to lift fixed loads.
8. Do not load boom in a sideways direction.
9. Know the weight of the rigging and load to avoid overloading the crane.
10. Do not extend or rotate a load over anyone.
11. Wear protective gear such as hard hat, safety glasses, steel-toed boots, and gloves.

## Hook Precautions

1. Hooks are designed and manufactured to lift specific loads. The specified rated load of a hook applies to loads held uniformly in direct tension and does not take into account shock loads, hook tip loading, side loading, bending, torsional, or related loads.
2. Do not attempt to lift a load that is larger than the load rating of the hook.
3. Never use a hook's yield point as an indicator of its capacity.
4. Do not use a hook to lift personnel.
5. Know the rated load of the hook in use.
6. Never weld attachments to a finished hook in field applications. This will alter and destroy the design properties of the hook material.
7. Keep fingers, hands, body, and loose clothing from between the hook and the load.
8. Avoid shock loading.
9. Inspect the hook regularly for excessive wear and maintain it in safe operating condition.

# Operator Information

## OPERATOR REQUIREMENTS

### 1. Operation is limited to the following people:

- A. Designated individual.
- B. Trainees under direct supervision of the designated individual.
- C. Test or maintenance individual.
- D. Crane Inspector.

### 2. Operators must meet the following physical qualifications:

- A. Vision of at least 20/30 Snellen in one eye and 20/50 in the other, with or without corrective lenses.
- B. Ability to distinguish colors if color differentiation is required.
- C. Adequate hearing, with or without a hearing aid.
- D. No physical or emotional defects that may create a hazard to the operator or others.
- E. Normal depth perception and coordination.

### 3. In addition to the physical qualifications, Operators must:

- A. Demonstrate the ability to understand all decals, the owner's manual, and any other information required for safe operation of the crane.
- B. Be able to demonstrate the ability to safely control the crane.
- C. Know all safety regulations.
- D. Be responsible for maintenance requirements.
- E. Understand and be fully capable of implementing all emergency procedures.
- F. Understand the operating procedures as outlined by this manual, ANSI B30.5, and Federal/State Laws.

## OPERATOR CONDUCT

1. Operators will not engage in any operation that would cause them to divert attention away from the operation of the crane.
2. Operators are responsible for all operations under their direct control.
3. Operators will not leave a suspended load unattended.
4. Operators will be familiar with the equipment and the maintenance required for proper care.

## HANDLING THE LOAD

### 1. Size of the load:

- A. Do not load the crane beyond the rated capacity.
- B. It is the responsibility of the operator to know the weight of the handled load.

### 2. Attaching the load:

- A. Attach the load to the hook by means of slings or other approved devices.
- B. Do not wrap the hoist rope around the load.

### 3. Moving the load:

- A. Make certain that the crane is level and properly blocked.
- B. Ensure that the load is secure and balanced within the sling before moving it.
- C. Be sure that the crane is stable before moving the load. Use stabilizer pads to ensure the proper distribution of weight.
- D. Do not drag the load sideways.
- E. Make sure the hook is brought over the load to minimize swinging.
- F. No suspended load should pass over a person.
- G. Avoid sudden starts and stops when moving a load.

# Chapter 3 - Maintenance

## **WARNING - Read the Following before performing any maintenance on the crane.**

1. Only authorized service personnel are to perform maintenance on the crane.
2. Disengage the PTO before any service or repair is performed.
3. Do not disconnect hydraulic hoses while there is still pressure in those components.
4. Before disconnecting hydraulic components, place the boom on the ground or have it supported, shut off the engine, release any air pressure on the hydraulic reservoir, and move pedals and control levers repeatedly through their operating positions to relieve all pressures.
5. Keep the crane and service body clean and free from grease build-up, oil and dirt to prevent slippery conditions.
6. Perform all safety and maintenance checks before each period of use.
7. Replace parts with Stellar Industries, Inc. approved parts only.
8. Immediately repair or have repaired any components found to be inadequate.

## **Maintenance Procedures**

1. Position the crane where it will be out of the way of other operations or vehicles in the area.
2. Be sure boom is lowered to the ground or otherwise secured from dropping.
3. Place all controls in the off position and secure operating features from inadvertent motion.
4. Disconnect power source.
5. Relieve hydraulic oil pressure from all hydraulic circuits before loosening or removing hydraulic components.
6. Label or tag parts when disassembling.

## **Daily Inspection**

*Daily Inspection should occur each day before the crane is put into use. Each day, inspect the crane for all of the following:*

1. Hydraulic oil level.
2. Loose parts or damage to structures or weld.
3. Cylinder movement due to leakage.
4. Hoses and gearboxes for evidence of oil leaks.
5. Controls, including hand throttle for malfunction or adjustment.
6. Truck hand brake operation.
7. All securing hardware such as cotter pins, snap rings, hairpins, and pin keepers for proper installation.
8. All safety covers for proper installation.
9. Cylinder holding valves for proper operation.
10. Wire rope for broken wires, extensive wear, distortion, and heat damage.

## **Periodic Inspection**

*Periodic Inspection should occur while the crane is in use. For the duration of the usage, inspect the crane for all of the following:*

1. Loose bolts and fasteners.
2. All pins, bearings, shafts, and gears for wear, cracks, or distortion to include all pivots, outriggers, sheave pins, and bearings.
3. Hydraulic systems for proper operating pressure.
4. Main frame mount bolts.
5. Cylinders for:
  - A. Damaged rods.
  - B. Dented barrels.
  - C. Drift from oil leaking internally.
  - D. Leaks at rod seals or holding valves.
6. PTO drive line system for proper alignment, lubrication, and tightness.
7. Hydraulic hose and tubing for evidence of damage such as blistering, crushing, or abrasion.

**Weekly Inspection**

*Weekly Inspection should occur at the beginning of every work week. Each week, inspect the crane for all of the following:*

1. Lubrication of points required by lubrication chart located in this chapter.
2. Proper operation of load hook safety latch.
3. Presence of this owner's manual.

**Monthly Inspection**

*Monthly Inspection should occur at the beginning of every work month. Each month, inspect the crane for all of the following:*

1. Frame bolt tightness - turn barrel nuts and mounting bolts during the first month of operation on new machines and then quarterly thereafter.
2. Cylinders and valves for leaks.
3. Lubrication.
4. Load hook for cracks or having more than 15 percent normal throat opening or 10 degrees twist.
5. Structural members for bends, cracks, or broken members.
6. All welds for breaks and cracks.
7. All pins and keepers for proper installation.
8. All control, safety, and capacity placards for readability and secure attachment.
9. Inspect all electrical wires and connections for worn, cut, or deteriorated insulation and bare wire. Replace or repair wires as required.
10. Tightness of all boom wear, pad-retaining bolts.

**Stellar Industries recommends the first filter change to occur after the first 250 hours of service.\* The second, and every subsequent change, should occur after every 1,000 hours of service. By following these guidelines, the hydraulic oil should last up to 6,500 hours.**

\*Note: These recommendations are based on normal working parameters. If operating in less than favorable conditions (excessive dust, moisture, etc.), be sure to check the filter gauge often for filter change notice.

**Service**

*The following general suggestions should be helpful in analyzing and servicing your crane. Using the following systematic approach should be helpful in finding and fixing problems:*

1. Determine the problem.
2. List and record possible causes.
3. Devise checks.
4. Conduct checks in a logical order to determine the cause.
5. Consider the remaining service life of components against the cost of parts and labor necessary to replace them.
6. Make the necessary repair.
7. Recheck to ensure that nothing has been overlooked.
8. Functionally test the new part in its system.

**Inspection Checklist**

For a more detailed outline of scheduled inspection points, refer to the Stellar Inspection Checklist at the end of this chapter. This list is an excellent guide for the inspection tasks that will help maintain the quality of your Stellar product. Feel free to photocopy the checklist as needed.

**ATTENTION**

**Every six (6) months, remove the hydraulic pump from the PTO and lubricate the splines using Chelsea Lubricant #379831 or Stellar PN 20885. Failure to lubricate shaft splines will cause damage to the PTO and Hydraulic pump.**

## Lubrication Recommendations

Component	Location	Recommendation
Engine	Crankcase	Apply Manufacturer's Recommendations
Hydraulic System Below -5°F -5°F to 90°F Above 90°F	Reservoir	Petro-Canada Arctic MV 15 (ISO 22) Petro-Canada HYDREX 32 (ISO 32) Petro-Canada HYDREX 46 (ISO 46)
Open Gears	Hand	Precision XL3 Moly EP 2 (NLGI 2 grease with moly)
Bearings, grease (including turntable bearing inner race)	Gun	Precision XL EP 2 (NLGI 2)
Worm Drive Gearbox	Gearbox	Precision Synthetic EP 00 (NLGI 00)
Planetary Gearbox (including winch)	Gearbox	Traxon Synthetic 75W-90 (API GL-5)
Wear Pad Lubrication	Spray	Gearshield NC
Compressor Fluids		
Reciprocating Single Stage Reciprocating Double Stage	Crankcase Crankcase	Compro 100 (ISO 100) Compro 100 (ISO 100)
Screw -15°F to 86°F -23°F to 100°F 32°F to 113°F	Crankcase	Compro XL-S 32 (ISO 32) Compro XL-S 46 (ISO46) Compro XL-S 68 (ISO68)

### Greasing the Crane

Lubricate all grease gun points with  
**Extreme Pressure Grease - Stellar P/N: 22059.**

## Wire Rope Maintenance

### Wire Rope Inspection Points

While inspection of the entire rope is required, attention should be directed to these critical points:

1. **Pick-up Points** for signs of wear due to stress from repeated lifts.
2. **End Attachments** for corrosion and broken wires at both ends of the rope.
3. **Drums** for signs of corrugation and wear that may lead to wire damage.
4. **Sheaves** to ensure that each sheave has the proper groove size and contour.
5. **Abuse Points** for heavy amounts of scuffing and scraping.

It is important to perform detailed inspections of all ropes associated with the crane. These inspections can be divided into two types:

#### 1. Frequent Inspection

- A. All running ropes should be inspected once each working day. These visual observations will be concerned with discovering damage that may be an immediate hazard. The following concerns should be addressed:
  1. Distortion of the rope.
  2. General corrosion.
  3. Broken or cut strands.
- B. Use caution while inspecting sections of rapid deterioration.
- C. Use caution while inspecting boom hoist ropes. Proper inspection is critical but difficult.

#### 2. Periodic Inspection

- A. Inspection frequency will be determined by a qualified person and will be based on such factors as expected rope life, environment conditions, capacity of typical lifts, rates of usage, and exposure to shock loads. Periodic inspection needs to be performed at least annually.
- B. Periodic inspections will be performed by a qualified individual and will cover the entire length of the rope. Only the

surface wires of the rope need to be inspected. This inspection will be concerned with discovering damage that may be an immediate hazard. The following concerns should be addressed:

1. Distortion of the rope.
  2. General corrosion.
  3. Broken or cut strands.
  4. Reduction of rope diameter.
  5. Corroded or broken wires at end connections.
  6. Corroded, cracked, bent, worn, or improperly applied end connections.
- C. Use caution when inspecting the following:
1. Sections in contact with saddles, equalizer sheaves, or other sheaves where rope travel is limited.
  2. Sections of the rope at or near ends with corroded or broken wires.

### Wire Rope Replacement

Rope replacement guidelines are as follows:

1. Broken wires, including standing ropes with more than two broken wires in one lay or more than one broken wire at an end connection.
2. Wear of one-third the original diameter of the outside wires.
3. Distortion of the rope structure.
4. Evidence of heat damage.
5. Reductions from nominal diameters of more than 1/64 in. (0.4 mm) for diameters from 5/16 in. (19.0 mm) and 1/32 in. (0.8 mm) for diameters from 3/8 in. (9.5 mm) to and including 1/2 in. (13.0 mm).

### Wire Rope Maintenance

Proper maintenance is key in ensuring a long lasting rope. These three tips will help:

1. Store the rope to prevent damage.
2. Avoid objects that may scrape, bend, or crush the wires of the rope.
3. Always keep the rope well-lubricated.



**Holding Valve Inspection Procedure**

The cylinders are equipped with holding valves that prevent sudden movement of the cylinder rods in the event of a hydraulic hose or hydraulic component failure. The valve is checked in the following manner:

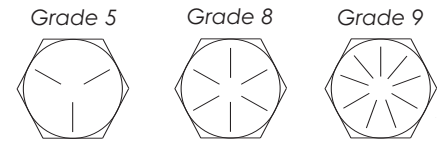
1. Identify the cylinder in question.
2. Identify the holding valves and the cylinder direction in question.
  - a. Cylinder Extend.
  - b. Cylinder Retract.
3. Place the machine so that the cylinder will be located in the appropriate testing position.
4. Pick the load (Do not exceed capacity, rated or stability).
5. Disengage hydraulics.
6. Operate crane functions.
  - A. If the cylinder creeps (lowering the load), replace the holding valve.
  - B. If the cylinder does not creep (load stays suspended), the valve is operational.

**Gear-Bearing Bolt Maintenance**

Anytime a gear-bearing bolt is removed, it must be replaced with a new bolt of the identical grade and size. Once a bolt has been torqued to 75% of its proof load and then removed, the torque coefficient may no longer be the same as when the bolt was new thus giving indeterminate damp loads after torquing.

**Warning!**  
**Failure to replace gear-bearing bolts may result in bolt failure due to metal fatigue causing serious injury or even death.**

**Torque Data Chart**



Size (DIA-TPI)	Bolt DIA (Inches)	Plain (Ft-Lb)	Plated (Ft-Lb)	Plain (Ft-Lb)	Plated (Ft-Lb)	Plated (Ft-Lb)
5/16-18	0.3125	17	13	25	18	22
3/8-16	0.3750	31	23	44	33	39
7/16-14	0.4375	49	37	70	52	63
1/2-13	0.5000	75	57	105	80	96
9/16-12	0.5625	110	82	155	115	139
5/8-11	0.6250	150	115	220	160	192
3/4-10	0.7500	265	200	375	280	340
7/8-9	0.8750	395	295	605	455	549
1-8	1.000	590	445	910	680	823
1 1/8-7	1.1250	795	595	1290	965	1167
1 1/4-7	1.2500	1120	840	1815	1360	1646
1 3/8-6	1.3750	1470	110	2380	1780	2158
1 1/2-6	1.500	1950	1460	3160	2370	2865

When using the torque data in the charts above, the following rules should be observed.

1. Bolt manufacturer's particular specifications should be consulted when provided.
2. Flat washers of equal strength must be used.
3. All torque measurements are given in foot-pounds. To convert to inch-pounds, multiply by 12.
4. Torque values specified are for bolts with residual oils or no special lubricants applied. If special lubricants of high stress ability, such as Never-Seez compound graphite and oil, molybdenum disulphite, colloidal copper or white lead are applied, multiply the torque values in the charts by the factor .90. The use of Loctite does not affect the torque values listed above.
5. Torque values for socket-head capscrews are the same as for Grade 8 capscrews.

## Inspection Checklist

Use of this checklist is subject to terms of the Stellar Warranty information. Additional copies of this checklist can be obtained by contacting Stellar Customer Service at (800) 321-3741.

Type of Inspection (check one)

- Daily (if deficiency found)     Quarterly  
 Monthly                                     Annual

Owner/Company:

Contact Person:

Crane Make/Model:

Crane Serial:

Date Inspected:

Hour Meter Reading:

Inspected by: (print)

Signature of Inspector:

### Type of Inspection Information

Daily and monthly inspections are to be performed by a "designated" person, who has been selected by the employer or the employer's representative as being competent to perform specific duties.

Quarterly and annual inspections are to be performed by a "qualified" person who, by possession of a recognized degree in an applicable field or certificate of professional standing, or who, by extensive knowledge, training and experience has successfully demonstrated the ability to solve or resolve problems related to the subject matter and work.

One hour of normal crane operation assumes 20 complete cycles per hour. If operation exceeds 20 cycles per hour, inspection frequency should be increased accordingly.

Consult the Stellar Owner's Manual for additional inspection items.

Before inspecting and operating the crane, make certain that the crane is set up away from power lines and leveled with outriggers fully extended.

**Daily (D):** Before each day of operation, those items with a (D) must be inspected. This inspection need not be recorded unless a deficiency is found.

**Monthly (M):** Monthly inspections or 100 hours of normal operation (which ever comes first) includes all daily and monthly inspection items plus items designated with a (Q). This inspection must be recorded.

**Quarterly (Q):** Every three months or 300 hours of normal operation (which ever comes first) includes all daily and monthly inspection items plus items designated with an (M). This inspection must be recorded.

**Annual (A):** Each year or 1200 hours of normal operation (which ever comes first) includes all items on this form which encompasses daily, monthly, and quarterly inspections plus those items designated by (A). this inspection must be recorded.



## Monthly Inspection

Frequency	Key	Inspection Description	Status
M	Daily	All Daily Inspections.	
M	Cylinders	Visual inspection of cylinders for leakage at rod, fittings, & welds. Damage to rod & case.	
M	Valves	Holding valves for proper operation.	
M	Valves	Control valve for leaks at fittings & between sections.	
M	Valves	Control valve linkages for wear, smoothness of operation & tightness of fasteners. Relief valve for proper pressure settings.	
M	General	Bent, broken or significantly rusted/corroded parts.	
M	Electrical	Electrical systems for presence of dirt, moisture & frayed wires.	
M	Structure	All structural members for damage.	
M	Welds	All welds for breaks & cracks.	
M	Pins	All pins for proper installation & condition.	
M	Hardware	All bolts, fasteners & retaining rings for tightness, wear & corrosion.	
M	Wear Pads	Condition of wear pads.	
M	Pump & Motor	Hydraulic pumps & motors for leakage at fittings, seals & between sections. Check tightness of mounting bolts.	
M	PTO	Transmission/PTO for leakage, abnormal vibration & noise, alignment & mounting bolt torque.	
M	Hyd Fluid	Quality of hydraulic fluid and for presence of water.	
M	Hyd Lines	Hoses & tubes for leakage, abrasion damage, blistering, cracking, deterioration, fitting leakage, & secured properly.	
M	Hook	Load hook for abnormal throat distance, twist, wear, & cracks.	
M	Rope	Condition of load line.	
M	Manual	Presence of operator's manuals with the unit.	
M	Chassis	Tire wear and air pressure.	
M	Chassis	Working backup alarm.	
M	Station	Fire extinguisher at cab or machinery housing.	

## Quarterly Inspection

Frequency	Key	Inspection Description	Status
Q	Daily	All daily inspections.	
Q	Monthly	All monthly inspections.	
Q	Rotation Sys	Rotation bearing for proper torque of all mounting bolts.	
Q	Hardware	Base mounting bolts for proper torque.	
Q	Structure	All structural members for deformation, cracks, & corrosion.	
		Base	
		Outrigger beams & legs	
		Mast	
		Inner boom	
		Outer boom	
		Extension(s)	
		Jib boom	
		Jib extension(s)	
		Other	
		Other	
Q	Hardware	Pins, bearings, shafts, gears, rollers, & locking devices for wear, cracks, corrosion, & distortion.	
		Inner boom pivot pin(s) & retainer(s)	
		Outer boom pivot pin(s) & retainer(s)	
		Inner boom cylinder pin(s) & retainer(s)	
		Outer boom cylinder pin(s) & retainer(s)	
		Extension cylinder pin(s) & retainer(s)	
		Jib boom pin(s) & retainer(s)	
		Jib cylinder pin(s) & retainer(s)	
		Jib extension cylinder pin(s) & retainer(s)	
		Boom tip attachments	
		Other	
		Other	

## Quarterly Inspection Continued...

Frequency	Key	Inspection Description	Status
Q	Hyd Lines	Hoses, fittings, & tubing for proper routing, leakage, blistering, deformation, & excessive abrasion.	
		Pressure line(s) from pump to control valve	
		Return line(s) from control valve to reservoir	
		Suction line(s) from reservoir to pump	
		Pressure line(s) from control valve to each function	
		Load holding valve pipe(s) and hose(s)	
		Other	
Q	Pumps&Motors	Pumps and motors for loose bolts/fasteners, leaks, noise, vibration, loss of performance, heating and excess pressure.	
		Winch motor(s)	
		Rotation motor(s)	
		Other	
Q	Valves	Hydraulic valves for cracks, spool return to neutral, sticking spools, relief valve failure.	
		Main control valve	
		Load holding valve(s)	
		Outrigger or auxiliary control valve(s)	
		Other	
Q	Cylinders	Hydraulic cylinders for drifting & leakage. Rods for nicks, scores, & dents. Castor damage. Case & rod ends for damage & abnormal wear.	
		Outrigger cylinder(s)	
		Inner boom cylinder(s)	
		Outer boom cylinder(s)	
		Extension cylinder(s)	
		Rotation cylinder(s)	
		Jib lift cylinder(s)	
		Jib extension cylinder(s)	
		Other	
Q	Winch	Winch, sheaves, & drums for damage, abnormal wear, abrasion, & other irregularities.	
Q	Hyd Filter	Hydraulic filters for replacement per maintenance schedule.	







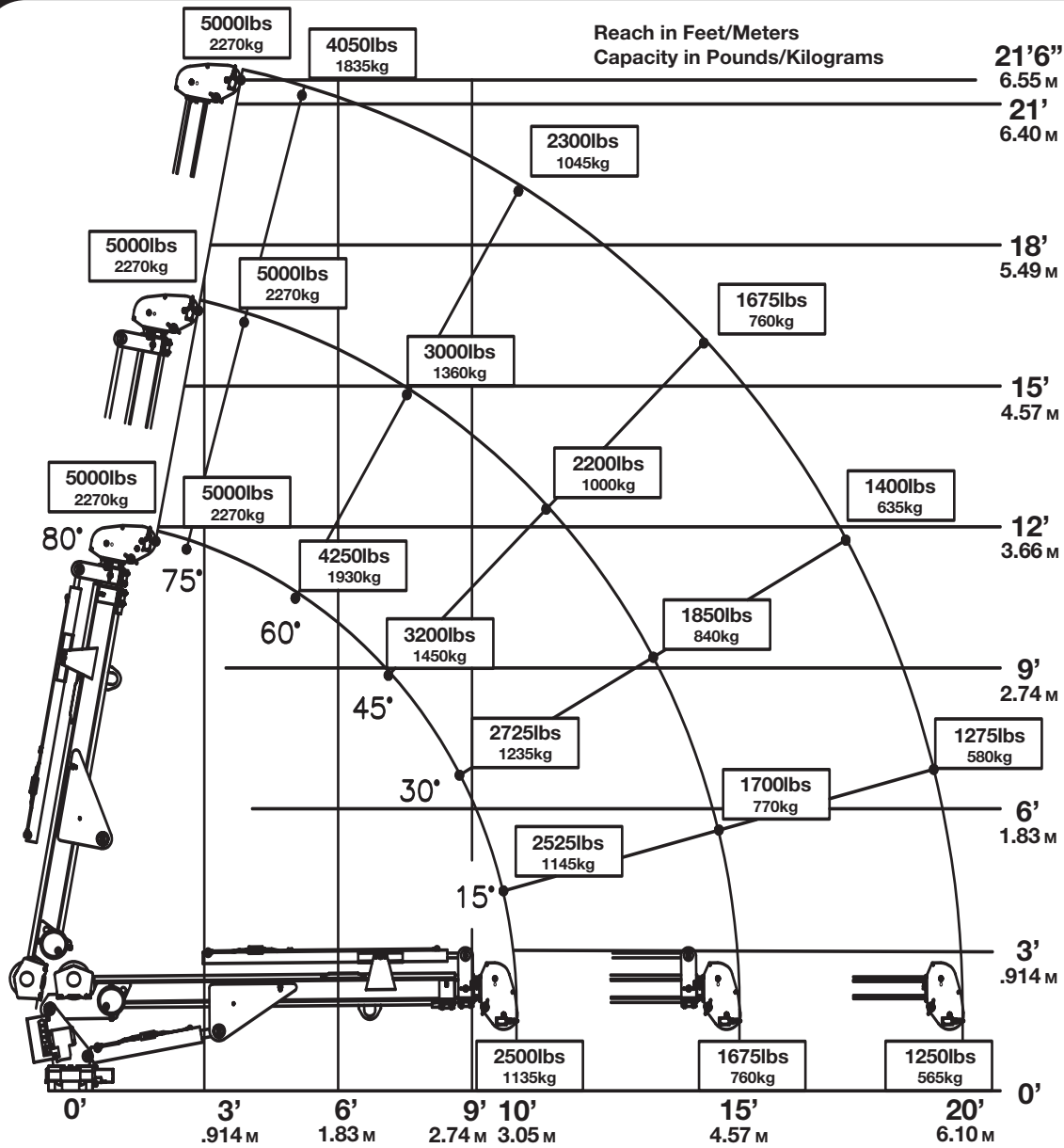
# Chapter 4 - Specifications

## Model 5520 Crane SPECIFICATION SHEET

Crane Rating:	25,000 ft-lbs (3.46 ton-meters)
Standard Boom Length:	10' (3.05 m) from CL of Crane
Boom Extension:	1st stage: Hydraulic 60" (152.4 cm) 2nd stage: Manual 60" (152.4 cm)
Maximum Horizontal Reach:	20' (6.10 m) from CL of Crane
Maximum Vertical Lift: (from crane base)	21' 6" (6.5 m)
Boom Elevation:	-5 to +80 degrees
Stowed Height: (crane only)	36.5" (80 cm)
Mounting Space Required:	18" x 20" (45.7 x 50.8 cm)
Approximate Shipping Weight:	1,100 lbs (499 kg)
Controls:	Radio control standard for all functions
Winch Specifications	
Rope Diameter:	5/16" (.794 cm)
Line pull speed:	40 ft/min (6.1 m/min) 20 ft/min (electric version)
Max. single part line:	2500 lbs (1135 kg)
Max. double part line:	5000 lbs (2270 kg)
Rotation: (worm gear)	370 degree power
Lifting Capacities:	2500 lbs @ 10' (1135 kg @ 3.05 m) 1250 lbs @ 20' (565 kg @ 6.1 m)
Power Supply Required:	PTO & Pump                      12 volt power unit (4.50 gpm @ 2850 psi)    (4.5 gpm @ 2850 psi) (17.03 lpm @ 197 bars)    (17.03 lpm @ 197 bars)

\*Subject to change without notification

# Capacity Chart - Decal PN 13758



Weight of load handling devices are part of the load lifted and must be deducted from the capacity.

Maximum 1 - part line capacity is 2500lbs (1135kg). For greater loads, use 2 - part line.



PN 13758

# Chapter 5 - Decals

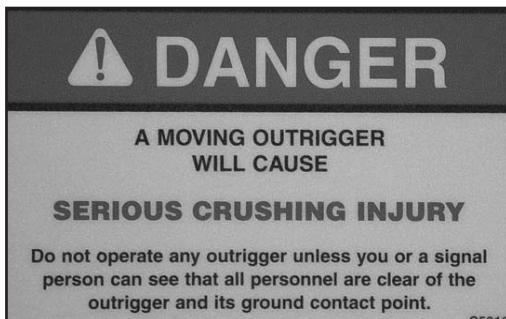
## Decals of Note



### Foot Crushing Hazard Decal

**Location:** On each outrigger leg.

**Function:** To inform the operator and other personnel in the work area of the hazard associated with the operation of the outriggers, the possible consequences should the hazard occur, and how to avoid the hazard. PN: C4795



### Moving Outrigger Hazard Decal

**Location:** On each outrigger

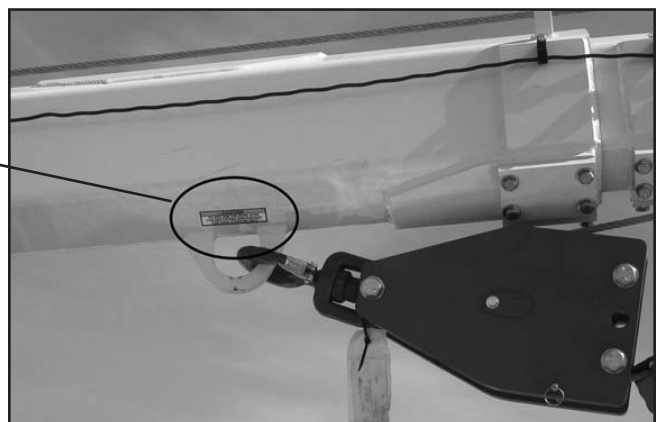
**Function:** To inform the operator of the hazard associated with outrigger operation, the possible consequences should the hazard occur, and how to avoid the hazard. PN: C5918

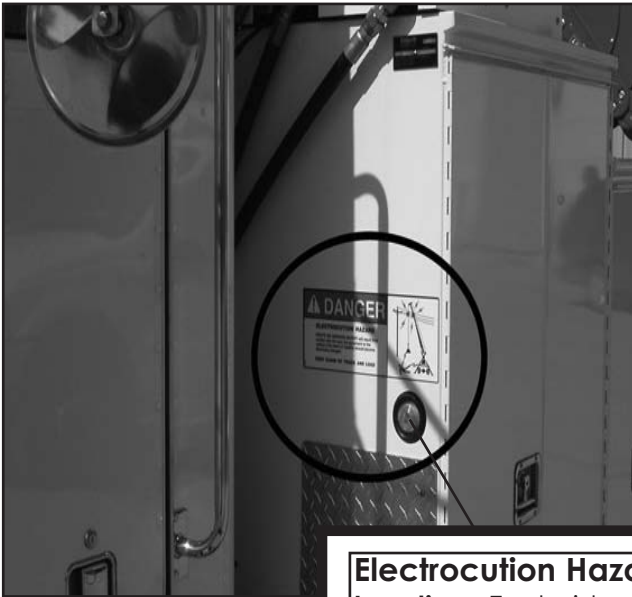


### Instructional Decal

**Location:** At Stow Hook area

**Function:** To caution the operator not to use the stow hook for any lifting applications. PN: 24712



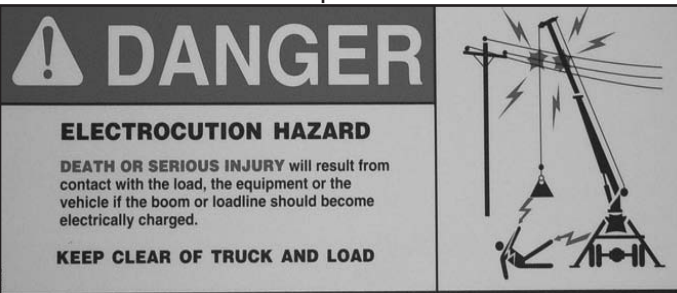


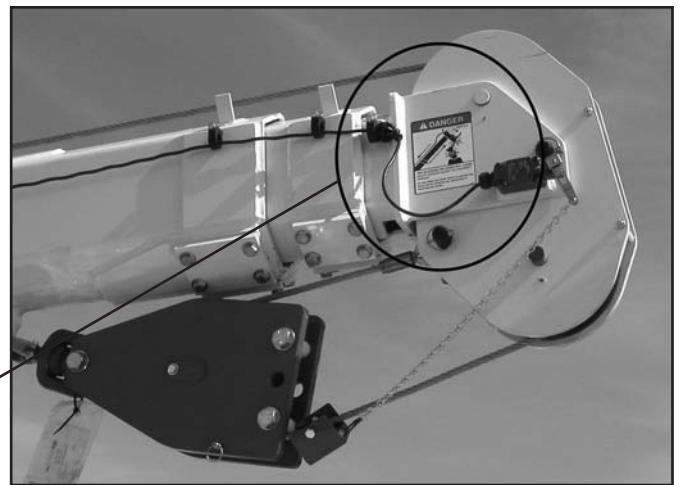
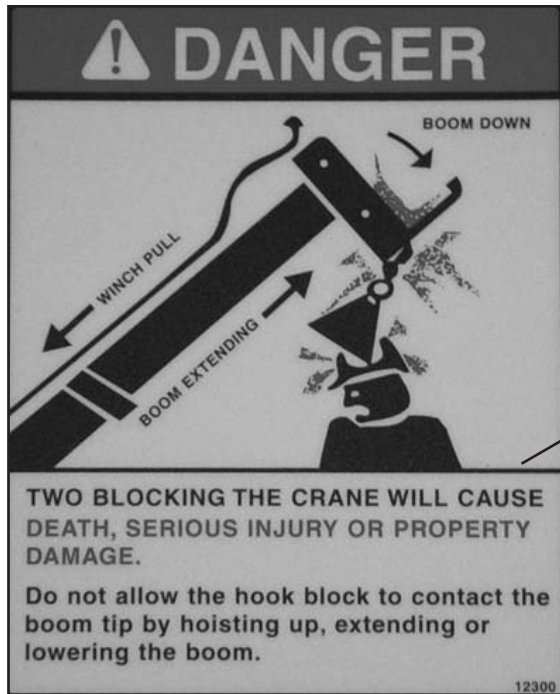
### Electrocution Hazard Decal

**Location:** Each side of truck body, Front & Rear Bumper

**Function:** To inform the operator and other personnel in the work area of the hazard associated with contact or proximity to electrical lines, the possible consequences should the hazard occur and how to avoid the hazard.

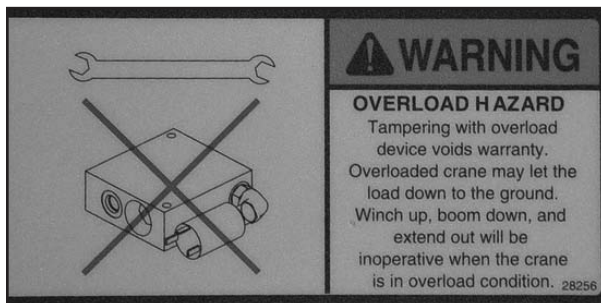
PN: C4545





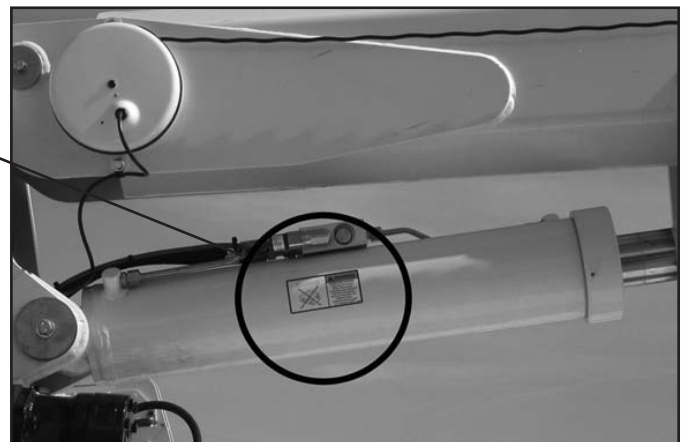
**Two Block Hazard Decal**

Location: At Boom Tip  
 Function: To inform the operator of the hazard associated with bringing the sheave(s) into contact with the hook, snatch block or load, the possible consequences should the hazard occur and how to avoid the hazard. PN: 12300



**Instructional Decal**

Location: At Overload Switch  
 Function: To inform the operator that tampering with the overload device may cause a unit failure.  
 PN: 28256





**Free Falling Manual Boom Decal**

**Location:** Inside Crane Compartment, on Compartment Door

**Function:** To inform the operator of the hazard associated with free falling manual boom extensions, the possible consequences should the hazard occur, and how to avoid the hazard.

PN: 12452



**Electrocution Hazard Decal**

**Location:** Inside Crane Compartment, on Compartment Door

**Function:** To inform the operator of the hazard associated with overloading the crane, the possible consequences should the hazard occur, and how to avoid the hazard.

PN: C1179

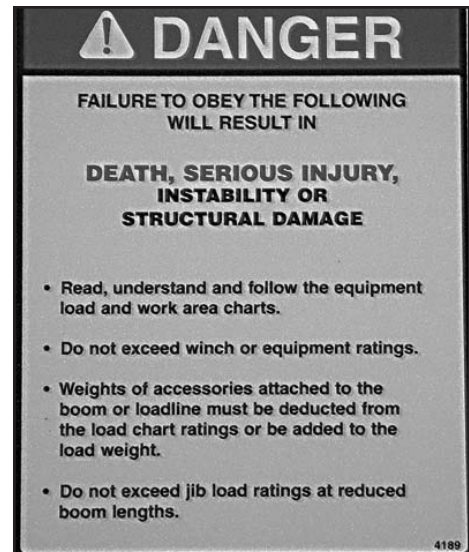


**Operation Hazard Decal**

**Location:** Inside Crane Compartment, on Compartment Door

**Function:** To inform the operator and other personnel in the work area of the hazard associated with improper maintenance and unauthorized modifications, the possible consequences should the hazard occur, and how to avoid the hazard.

PN: 4190



**Operation Hazard Decal**

**Location:** Inside Crane Compartment, on Compartment Door

**Function:** To inform the operator of the hazard associated with overloading the crane, the possible consequences should the hazard occur, and how to avoid the hazard.

PN: 4189

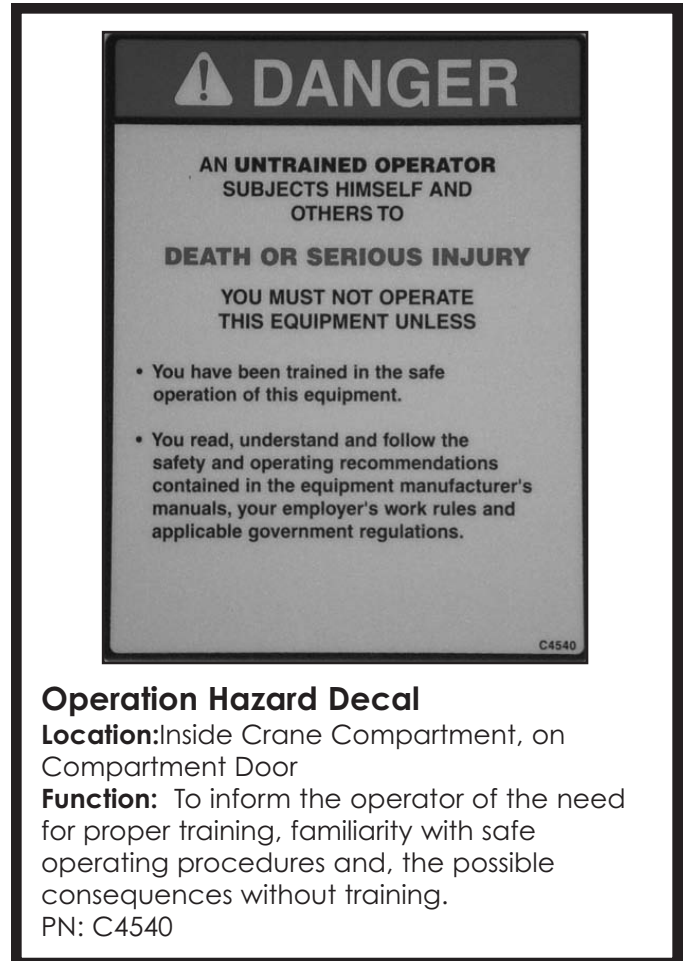


### Moving Boom Hazard Decal

**Location:** Inside Crane Compartment, on Compartment Door

**Function:** To inform the operator and other personnel in the work area of the hazard associated with a moving boom, especially while stowing and unfolding the crane, the possible consequences should the hazard occur, and how to avoid the hazard.

PN: C4541

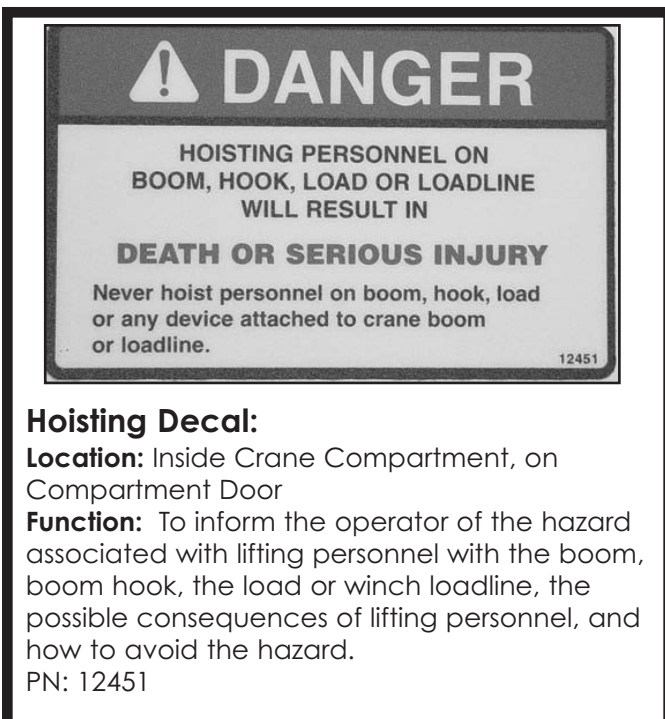


### Operation Hazard Decal

**Location:** Inside Crane Compartment, on Compartment Door

**Function:** To inform the operator of the need for proper training, familiarity with safe operating procedures and, the possible consequences without training.

PN: C4540

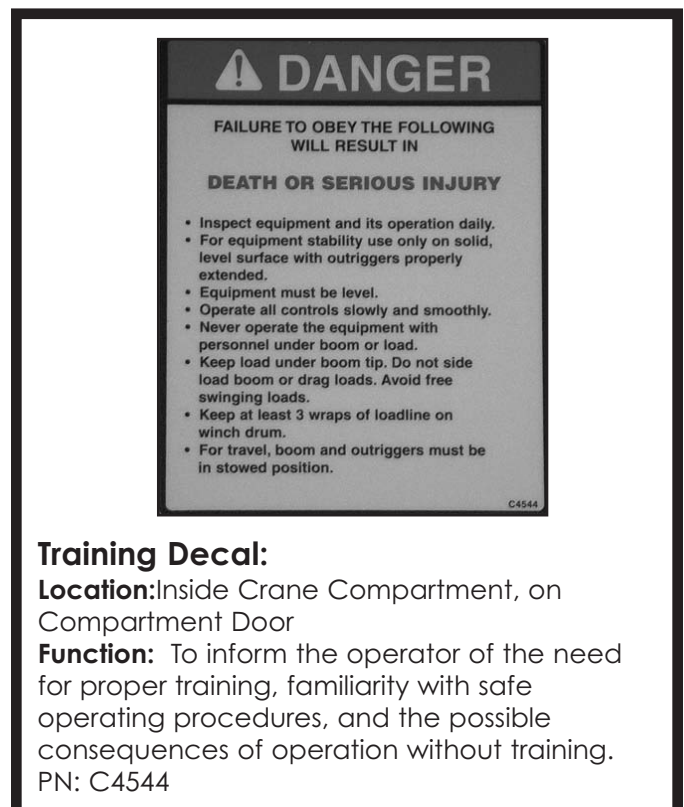


### Hoisting Decal:

**Location:** Inside Crane Compartment, on Compartment Door

**Function:** To inform the operator of the hazard associated with lifting personnel with the boom, boom hook, the load or winch loadline, the possible consequences of lifting personnel, and how to avoid the hazard.

PN: 12451



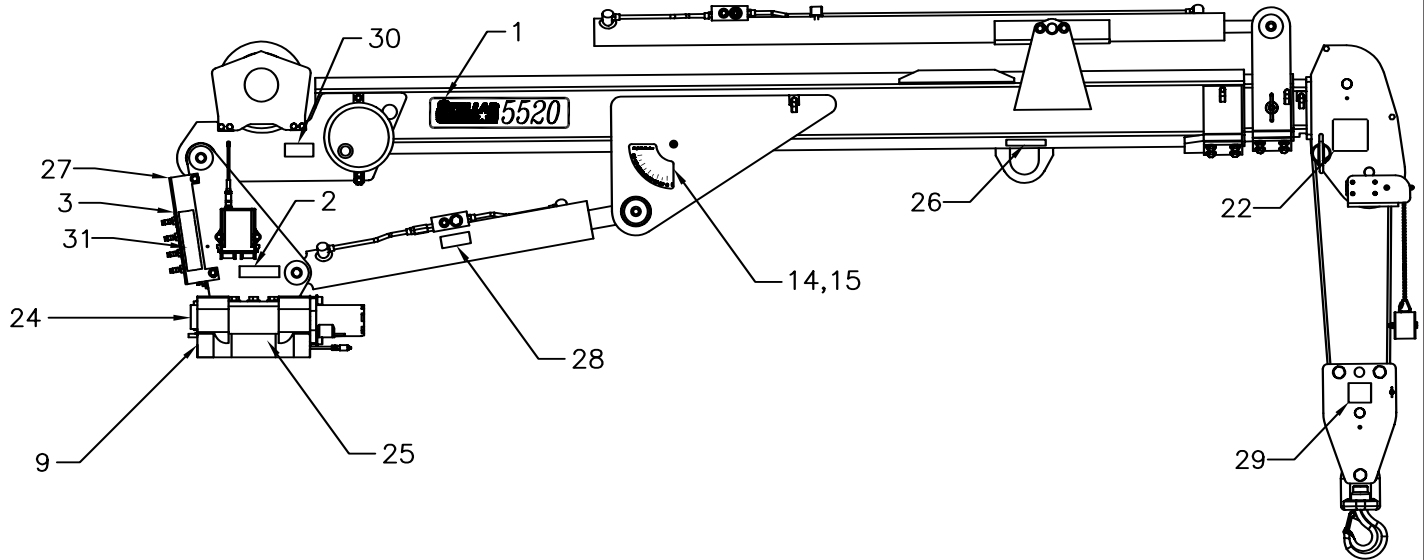
### Training Decal:

**Location:** Inside Crane Compartment, on Compartment Door

**Function:** To inform the operator of the need for proper training, familiarity with safe operating procedures, and the possible consequences of operation without training.

PN: C4544

# Decal Kit Placement - PN 23909



## PN 23909

\*\*THESE DECALS NOT INCLUDED WITH THE DECAL KIT

\*USE THESE DECALS WITH BODY PACKAGE

ITEM	PART No.	DESCRIPTION	QTY	ITEM	PART No.	DESCRIPTION	QTY
				31	41068	DECAL VB CONTROL MECH CRANE	1
15	13819	DECAL-ANGLE INDICATOR SS	1	**30	35234	DECAL STELLAR MADE IN THE USA	1
14	13820	DECAL ANGLE INDICATOR CS	1	29	38471	DECAL SNATCH BLOCK CAP 5 TON	1
*13	C1179	DECAL-ELECTROCUTION 4.5x7.5	2	28	28256	DECAL WARNING OVERLOAD DEVICE	1
*12	C5918	DECAL-DANGER MOVING O.R.	2	27	25159	DECAL WARNING MANUAL OVERRIDES	1
*11	C4795	DECAL-DANGER O.R.	2	26	24712	DECAL CAUTION STOW HOOK	1
*10	4190	DECAL-DANGER	1	25	15171	DECAL GREASE WORM DRIVE BEARINGS	1
09	9188	DECAL-ROTATE/GREASE	1	24	4188	DECAL-ROTATION ALIGNMENT	1
*08	4189	DECAL-DANGER	1	*23	C4541	DECAL-CRANE STOWING	1
*07	4186	DECAL-ELECTROCUTION 2x2.75	1	22	12300	DECAL-TWO BLOCKING	1
*06	C4544	DECAL-DANGER	1	*21	4214	DECAL-SERVICE	1
*05	C4540	DECAL-DANGER	1	*20	C0568	DECAL-DIESEL	2
*04	C4545	DECAL-ELECTROCUTION 5x13	4	*19	12452	DECAL MANUAL EXT	1
*03	13758	DECAL CAPACITY	2	*18	C5911	DECAL-STELLAR 2x4.5	3
02	15172	DECAL ASME/ANSI B30.22/B30.5	1	*17	C5910	DECAL-STELLAR 4x9.5	1
01	23910	DECAL IDENTIFICATION CS	2	*16	12451	DECAL HOISTING PERSONNEL	1



# Chapter 6 - Installation

## Notice: Read this Page Before Installation of the Crane

### General Installation

This chapter is designed to serve as a general guide for the installation of a Stellar 5520 Telescopic Crane on a Stellar Service Body. Each installation is considered unique so certain portions of this chapter may or may not apply to your direct application. If a question should arise during the installation process, please contact Stellar Customer Service at (800) 321 3741.

This crane is designed for use with a Stellar Service Body installed on a vehicle that meets the minimum chassis requirements of the crane. Check with Stellar Industries before installing this crane on a body other than a Stellar Service Body.

### WARNING!

**The use of this crane on a body not capable of handling the loads imposed on it may result in serious injury or death.**

### Optimal Service Body for the 5520 Crane: T1-11 Service Body

Applicable Chassis:	16000 to 19000 GVWR
Cab to Axle:	84" (213.36 cm)
Body Length Nominal:	133" (337.82 cm)
Body Height:	44" (111.76 cm)
Body Width:	94" (238.76 cm)
Compartment Depth:	22" (55.88 cm)
Floor Width:	50" (127 cm)
Net Weight:	3220 lbs (1460.37 kg)

### Installation Notice

According to Federal Law (49 cfr part 571), each final-stage manufacturer shall complete the vehicle in such a manner that it conforms to the standards in effect on the date of manufacture of the incomplete vehicle, the date of final completion, or a date between those two dates. This requirement shall, however, be superseded by any conflicting provisions of a standard that applies by its terms to vehicles manufactured in two or more stages.

Therefore, the installer of Stellar cranes and bodies is considered one of the manufacturers of the vehicle. As such a manufacturer, the installer is responsible for compliance with all applicable federal and state regulations. They are required to certify that the vehicle is in compliance with the Federal Motor Vehicle Safety Standards and other regulations issued under the National Traffic and Motor Vehicle Safety Act.

Please reference the Code of Federal Regulations, title 49 - Transportation, Volume 5 (400-999), for further information, or visit <http://www.gpoaccess.gov/nara/index.html> for the full text of Code of Federal Regulations.

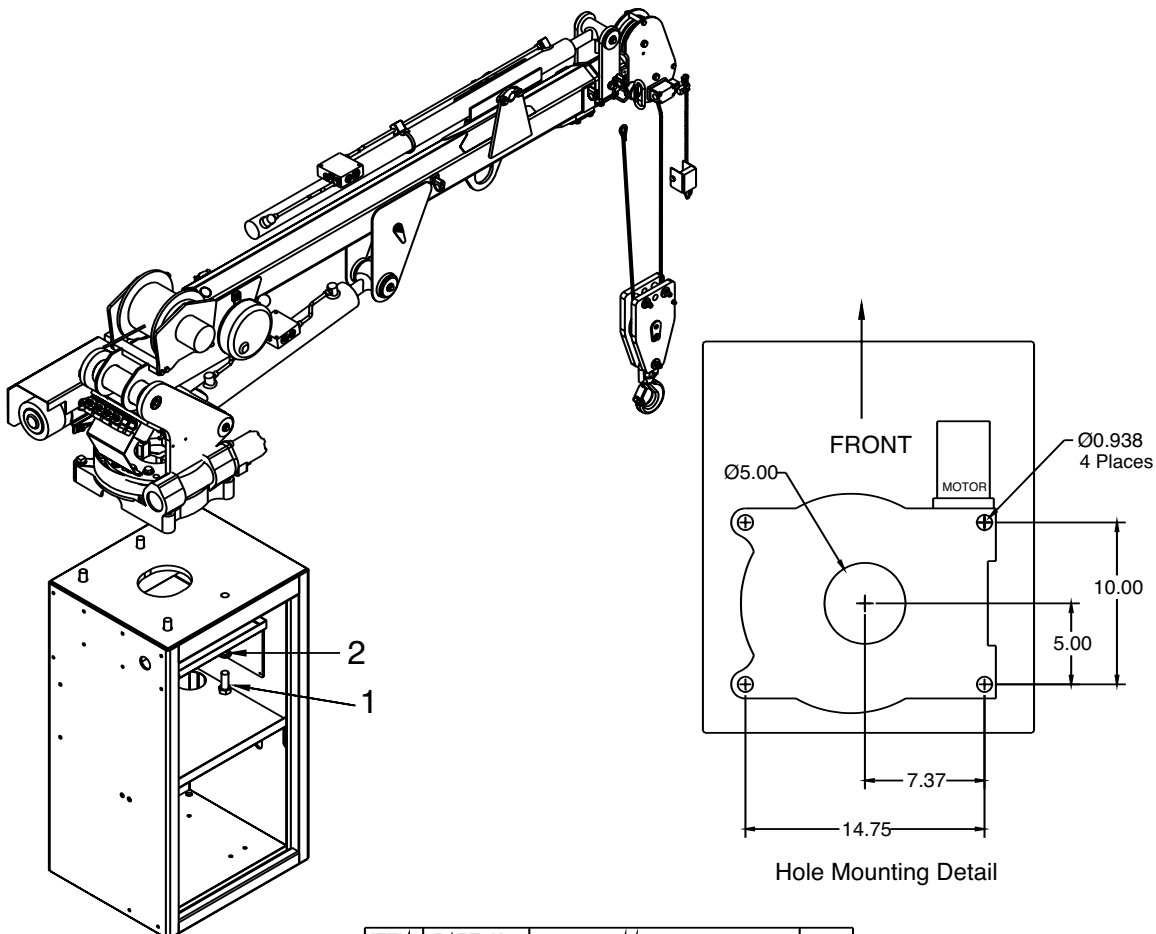
#### Notice:

PTO and Pump installation instructions are provided by the corresponding manufacturers. For more information on which PTO and Pump fit your application, please contact your local Stellar Distributor or Stellar Customer Service.

The following pages will give a basic overview of the installation process for the Stellar 5520. Please read through them entirely and obtain a clear understanding of the process before proceeding.

# Installation Overview

1. Determine that the mounting location for the 5520 crane is at least 18" x 20" (45.7 x 50.8 cm).
2. Use the detail below to drill .938" diameter holes into the mounting plate. Run tap on the threads of the base to be sure they are clean.
3. Use a crane or lifting device capable of lifting the weight of the Stellar crane. The Stellar 5520 weighs approximately 1100 lbs (499 kg). **Note: cranes are shipped with rotation positioned at 180 degrees from normal stowed travel position (See photo above).** This will allow for easy installation of the crane and permanent connection of all hydraulic and electrical components prior to repositioning into the crane saddle.
4. Connect straps or chain from the lifting device to the lifting rings on the Stellar 5520.
5. Use four (4) 7/8 x 2 1/4 #8 bolts and four (4) #8 flat washers.
6. Install a washer on each bolt.
7. Apply Loctite Thread locker #277 to the bolts.
8. Using the lifting device, lower the Stellar 5520 just above the crane compartment and start the bolts. Have someone assist in leveling the crane. **Note: the rotation motor should be to the door side of crane compartment and the boom should be extended back over the rear bumper.**
9. Secure the crane using the mounting hardware provided. **Note: longer or shorter cap screws may be required – recommended thread engagement into crane base is 1.00" – use grade 8, zinc plated cap screws only.**
10. Torque the cap screws to 454 ft-lbs.
11. Remove supporting crane.
12. Hook-up hydraulics and electrical using the schematics provided in *Chapter 8 - Hydraulics - Electrical*.  
**Note: If questions should arise during any portion of this installation, please contact Stellar Customer Service at (800) 321-3741.**



ITEM	PART No.	DESCRIPTION	QTY
01	17688	CAP SCR 0.88-9x2.25 HHGR8	4
02	8648	WASHER 0.88 SAE GR8	4

## Installation Details

1. Determine that the mounting location for the 5520 crane is at least 18" x 20" (45.7 x 50.8 cm).

2. Use the detail on the previous page to drill .938" diameter holes into the mounting plate. Run tap on the threads of the base to be sure they are clean.



3. Use a crane or lifting device capable of lifting the weight of the Stellar crane. The Stellar 5520 weighs approximately 1100 lbs (499 kg). **Note: cranes are shipped with rotation positioned at 180 degrees from normal stowed travel position (See photo above).** This will allow for easy installation of the crane and permanent connection of all hydraulic and electrical components prior to repositioning into the crane saddle.



The number of bolts used may vary from model to model.

4. Connect straps or chain from the lifting device to the lifting rings on the Stellar 5520.

5. Use four (4)  $\frac{7}{8}$  x  $2\frac{1}{4}$  #8 bolts and four (4) #8 flat washers.

6. Install a washer on each bolt.

7. Apply Loctite Thread locker #277 to the bolts.

8. Using the lifting device, lower the Stellar 5520 just above the crane compartment and start the bolts. Have someone assist in leveling the crane. **Note: the rotation motor should be to the door side of crane compartment and the boom should be extended back over the rear bumper.**



## Installation Details Continued...

9. Secure the crane using the mounting hardware provided. **Note: longer or shorter cap screws may be required – recommended thread engagement into crane base is 1.00" – use grade 8, zinc plated cap screws only.**



10. Torque the cap screws to 454 ft-lbs.

11. Remove supporting crane.



12. Hook-up hydraulics and electrical using the schematics provided in *Chapter 8 - Hydraulics - Electrical*.

**Note: If questions should arise during any portion of this installation, please contact Stellar Customer Service at (800) 321-3741.**

## Stability Procedure

### Definition of Stability for the Stellar Telescopic Crane Products:

A truck is stable until the load cannot be lifted off the ground with the winch, without tipping over the truck. Every Stellar crane installed must be tested for stability to determine the actual load capacity of the final truck package. The actual test data must be recorded and supplied with the truck at the time of in-service and should be kept with the truck at all times. The following procedure will test the truck package for stability and will provide a stability capacity chart. The load limit information shown on the stability capacity chart is formulated on 85% tipping.

### Set Up:

1. Locate the truck on a test course in position for loading and engage travel brakes.
2. Set outriggers so that they make contact with firm, level footings.
3. Operate the crane under partial load to assure operator proficiency and proper machine function.

### 5520 Stability Data

**Max Horizontal Reach:** 240" (From the center of rotation to boom tip)  
**Stability Test Weight:** 1475 lbs.

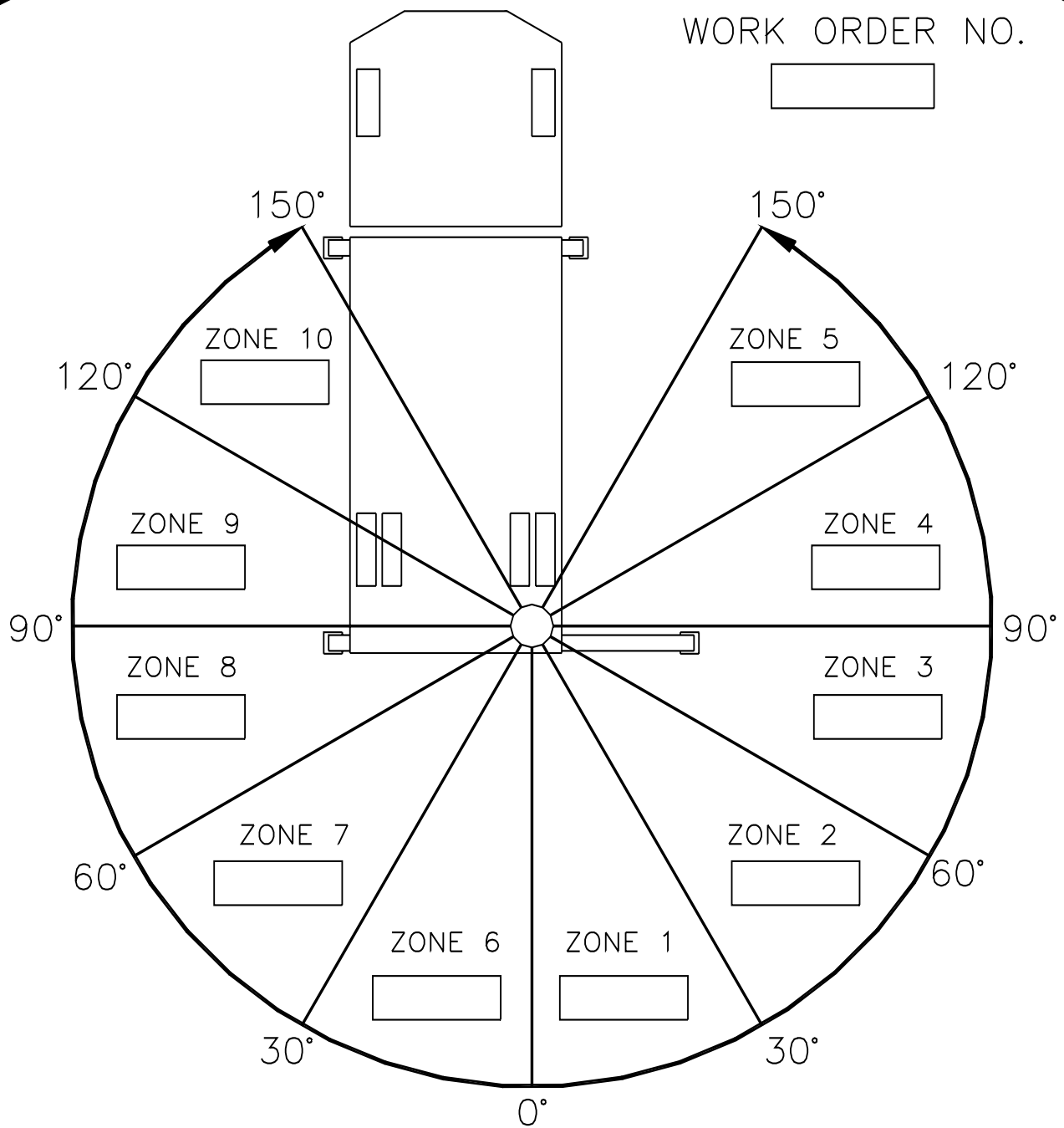
### Test Procedure

1. Rotate the crane into Zone 1 position.
2. With the crane fully retracted and the boom horizontal, winch the test weight off the ground. Note: Keep weight within six inches of the ground at all times.
3. Extend the boom outward until full extension has been reached or until the truck becomes unstable (Again, use the winch to keep the weight within six inches of the ground.)
4. If the boom goes full extension without becoming unstable, the crane is termed stable for this zone and 100% can be written in the Zone 1 data box.
5. If the truck becomes unstable prior to going full extension, retract the boom until the truck becomes stable and measure the horizontal reach in this position (center of rotation to boom tip). This is the stable horizontal reach for this zone. Stable horizontal reach divided by Maximum horizontal reach multiplied by 100 equals the percentage of rated capacity for this zone. Use the following formula to determine the percentage of rated capacity:

$$\frac{\text{Stable Horizontal Reach}}{\text{Max Horizontal Reach}} \times 100 = \text{Percentage of Rated}$$

6. Record this number in the data box for Zone 1. This is the revised capacity due to stability for this zone.
7. Repeat this procedure for each zone until the worksheet is completed.
8. This is the revised capacity based on stability of this package.

# Stability Capacity Chart



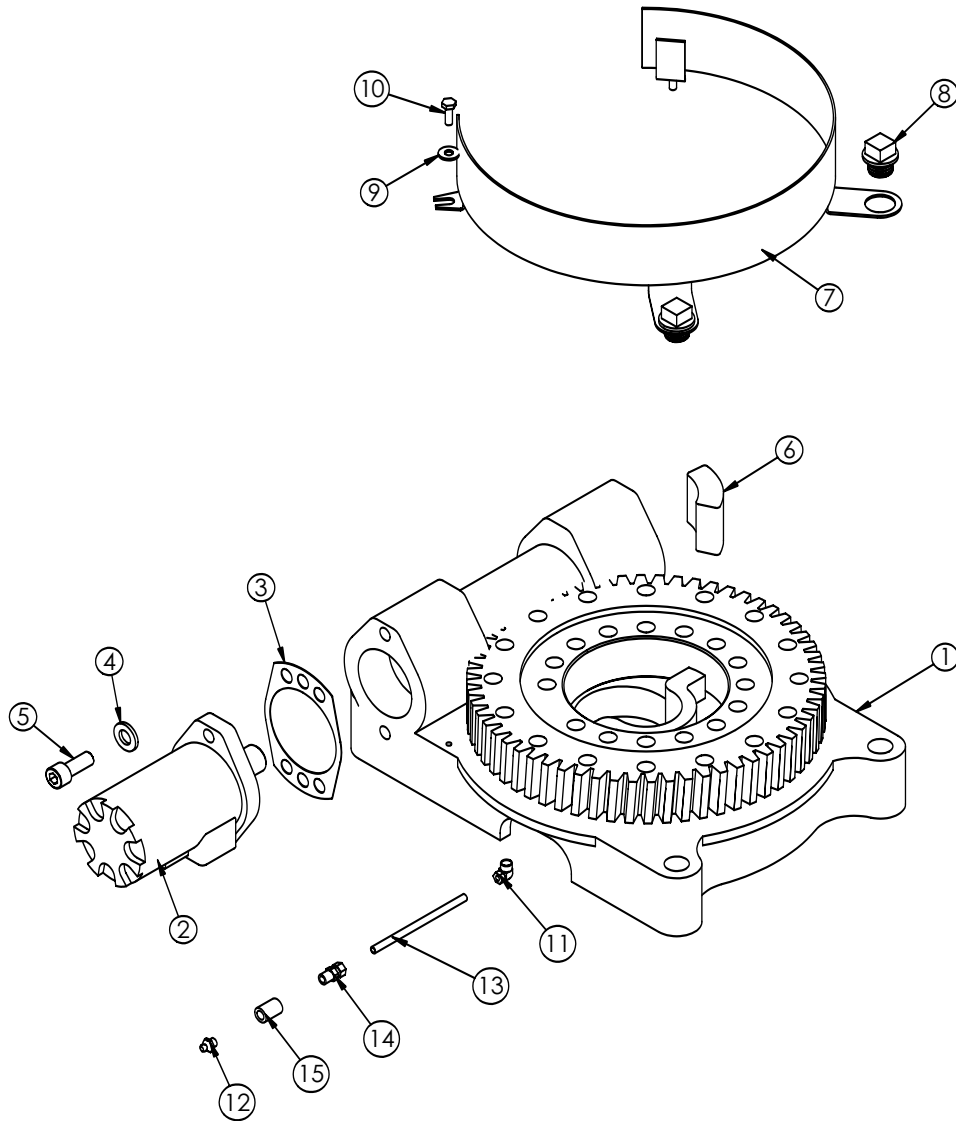
BOXES TO BE FILLED IN WITH PERCENTAGE OF RATED CAPACITY IN THE APPROPRIATE REGION.

## STABILITY CAPACITY CHART

STABILITY is based on this specific truck package.

# Chapter 7 - Assembly Drawings

## Base Assembly - PN 21814

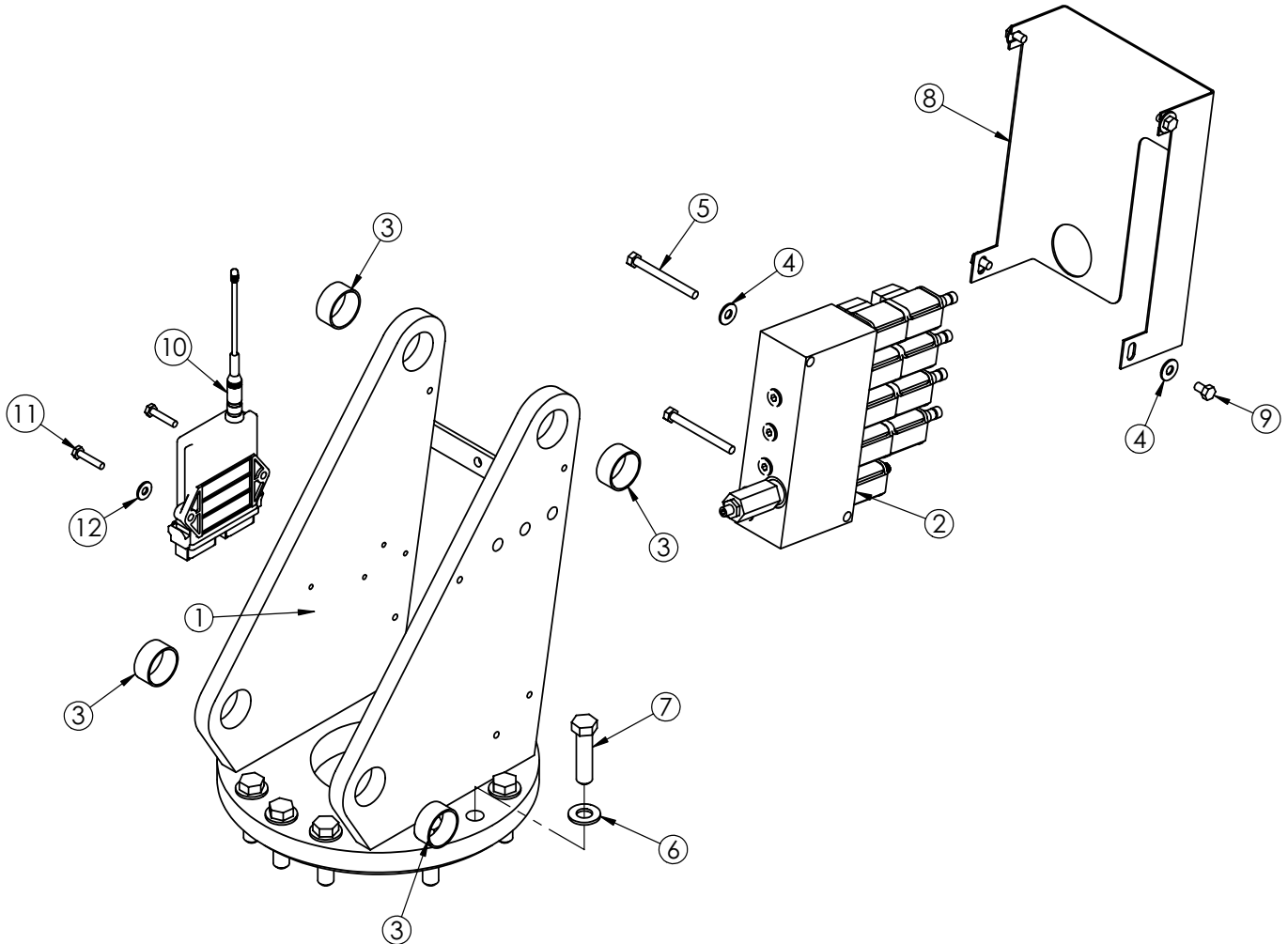


**P/N 21814**

ITEM	PART	DESCRIPTION	QTY.
1	16653	BEARING SWING DRIVE CAST	1
2	D1204	ROTATION MOTOR 5520	1
3	21151	GASKET MOTOR 008-10056-1	1
4	D0790	WASHER 0.50 FLAT GR8	2
5	D1307	CAP SCR 0.50-13X1.25 SH	2
6	17750	STOP 3515	1
7	18945	GUARD TTB 5520 CRANE	1
8	18948	CAP SCR 0.88-9 X .63 PLASTIC	2
9	0340	WASHER 0.25 FLAT	2
10	0479	CAP SCR 0.25-20X0.75 HHGR5	2
11	D0240	FTG ELL 0.13 CPRSN TUBE	1
12	c1592	ZERK 1/8 NPT STRAIGHT	1
13	22393	TUBE AIR	1
14	D1345	FTG CPRSN 0.12NPT/0.25 TUBE	1
15	C2256	FTG COUPLER PIPE 0.13	1

GASKET SHOWN AS REFERENCE

# Mast Assembly - PN 21815

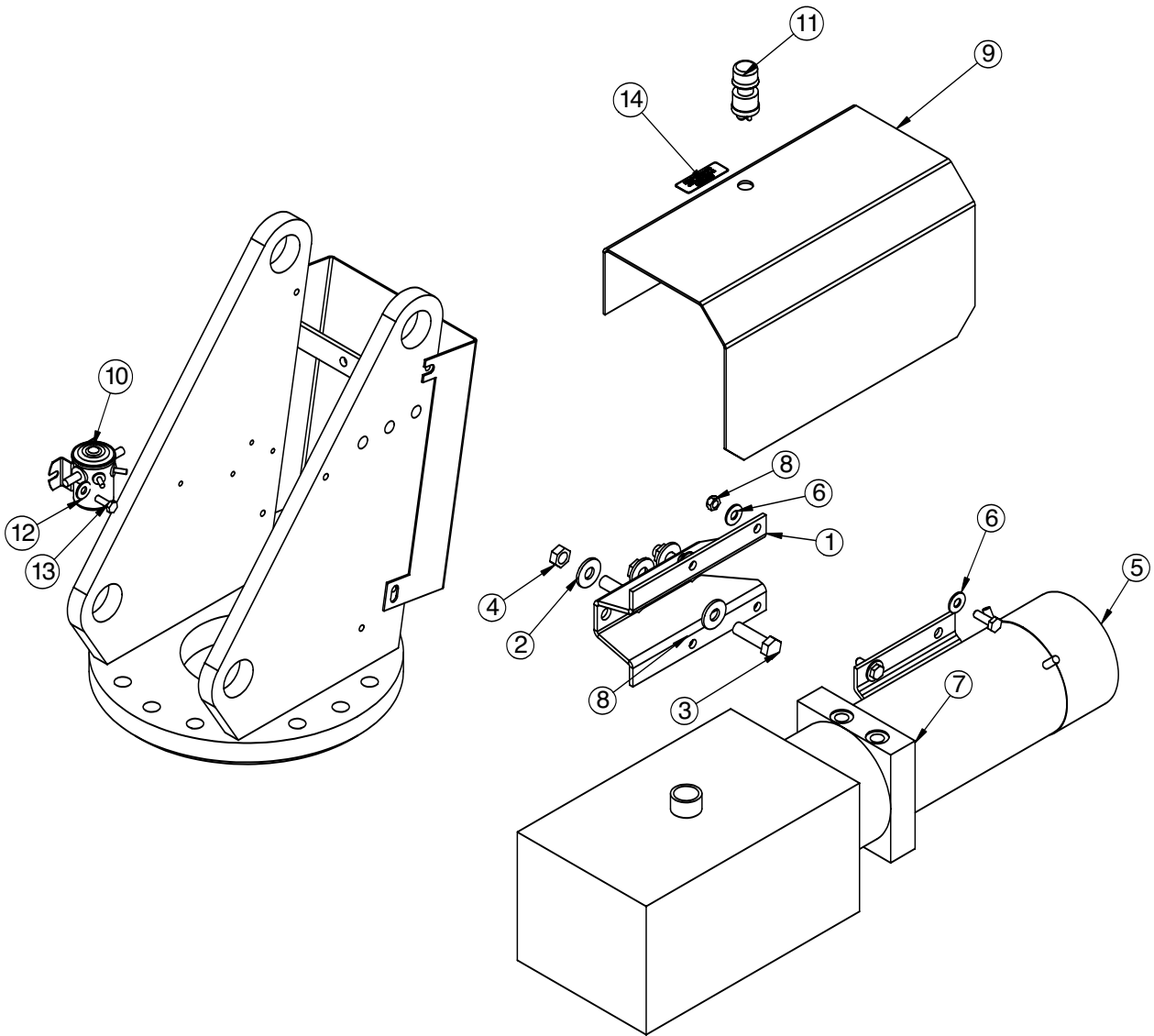


**P/N 21815**

ITEM	PART	DESCRIPTION	QTY.
1	21530	MAST 5520C	1
2	24690	VB 4 SECT ELECT W/PROP STERLING4GPM	1
3	21810	BUSHING GSI-2426-12 1.50X0.75	4
4	0343	WASHER 0.31 USS FLAT ZINC	6
5	12178	CAP SCR 0.31-18X3.25 HHGR5	2
6	C5902	WASHER 0.63 SAE FLAT YELLOW GR8	12
7	C1026	CAP SCR 0.63-11X2.50 HHGR8 ZY	12
8	25844	GUARD VB 5520C MULTIFUNCTION VB	1
9	0484	CAP SCR 0.31-18 X 0.50 HHGR5	4
10	34103	RECEIVER RADIO CONTROL 6 FCTN H2	1
11	0437	CAP SCR 0.25-20X1.25 HHGR5	2
12	0340	WASHER 0.25 FLAT	2



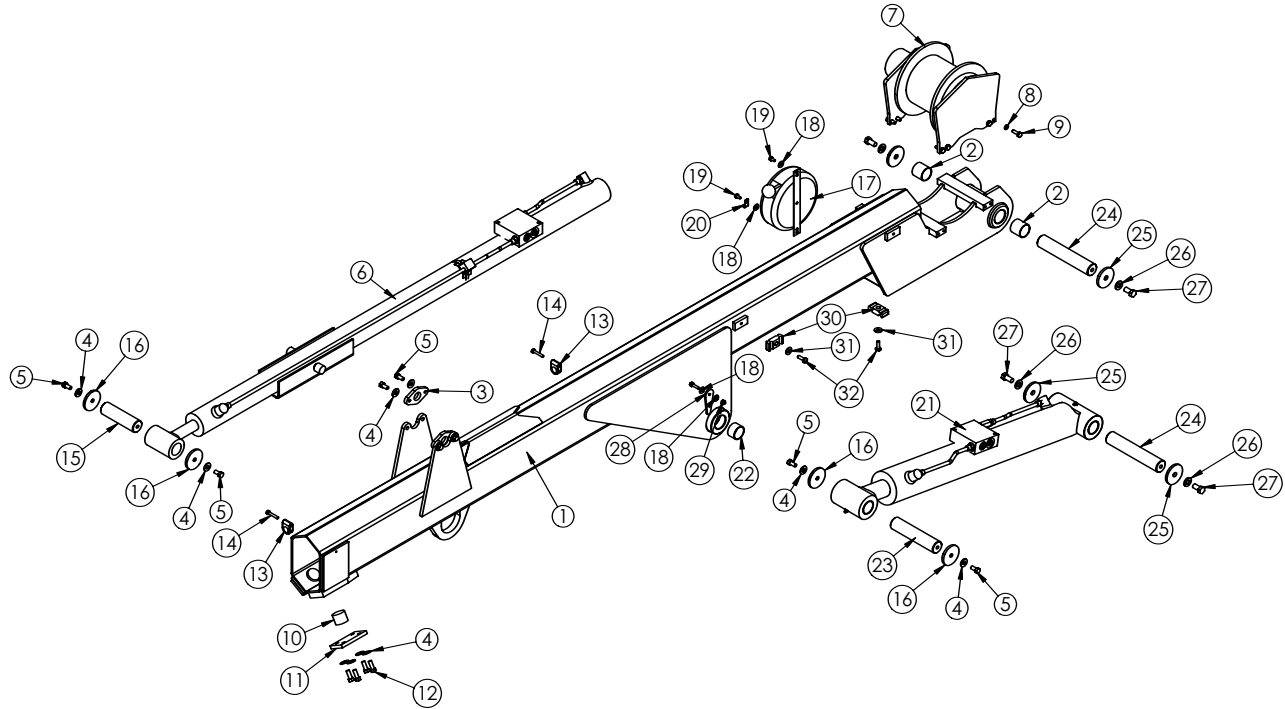
# Power Unit Assembly (Electric Version Only) - PN 23913



**P/N 23913**

ITEM	PART	DESCRIPTION	QTY.
1	17132	BRKT POWER UNIT 5520	1
2	0352	WASHER 0.50 USS FLAT ZINC	6
3	0500	CAP SCR 0.50-13X1.75 HHGR5	3
4	C6106	NUT 0.50-13 HHGR5 NYLOC	3
5	16994	POWER UNIT 12V 5520 HORZ	1
6	0343	WASHER 0.31 USS FLAT ZINC	8
7	C0922	CAP SCR 0.31-18X1.00 HHGR5	4
8	0342	NUT 0.31-18 HH NYLOC	4
9	19997	COVER POWER UNIT 5520	1
10	18468	SOLENOID 12V 200 AMP CONT 24143	1
11	17771	SWITCH PUSH BUTTON 9216-03	1
12	0340	WASHER 0.25 FLAT	1
13	0479	CAP SCR 0.25-20X0.75 HHGR5	1
14	18472	DECAL MANUAL OPERATION 5520	1
15	25844	GUARD VB 5520C MULTIFUNCTION VB	1

# Main Boom Assembly - PN 21816

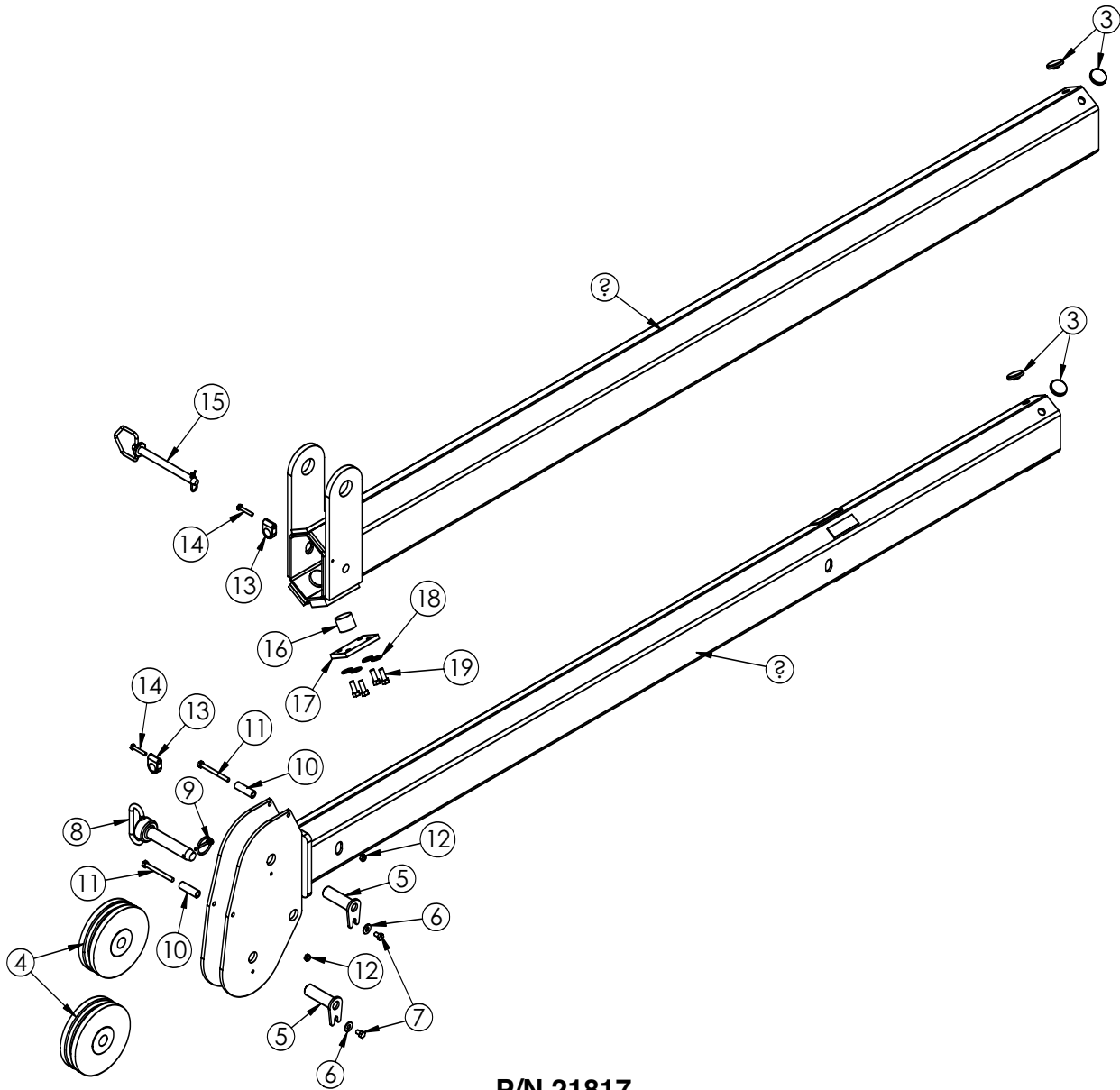


P/N 21816

THE INFORMATION CONTAINED IN THIS DRAWING IS THE SOLE PROPERTY OF STELLAR INDUSTRIES INC. ANY REPRODUCTION IN PART OR WHOLE WITHOUT THE WRITTEN PERMISSION OF STELLAR INDUSTRIES INC. IS PROHIBITED.

ITEM	PART	DESCRIPTION	QTY.	ITEM	PART	DESCRIPTION	QTY.	ITEM	PART	DESCRIPTION	QTY.
1	21516	INNER BOOM 5520C	1	12	13573	CAP SCR 0.38-16X1.00 HHGR8	8	23	10547	PIN 1.50X6.88 D&T	1
2	0067	BUSHING QSI-2426-24	2	13	0337	HOSE CLAMP LN 4190 PP	2	24	16066	PIN 1.50X8.19 D&T	2
3	3267	PLATE CYLINDER MTG	2	14	0220	CAP SCR 0.25-20 X 1.50 HHGR5	2	25	9142	PIN CAP 0.56X2.50X.25	4
4	C6353	WASHER 0.38 FLAT GR8	16	15	21811	PIN 1.50X25 D&T	1	26	D0790	WASHER 0.50 FLAT GR8	4
5	9843	CAP SCR 0.38-16X0.75 HHGR8	8	16	7403	PIN CAP 0.44X2.50X.252	4	27	10172	CAP SCR 0.50-13X1.00 HHGR8 ZY	4
6	26848	CYLINDER ASM 2.50X60.00	1	17	11544	CORD REEL 6620	1	28	19881	PLATE ANGLE INDICATOR 3315	2
7	21528	WINCH 2500 5520 CRANE	1	18	0340	WASHER 0.25 FLAT	6	29	0333	NUT 0.25-20 HHGR5 NYLOC	2
8	5591	WASHER 0.31 SAE FLAT YELLOW GR8	8	19	0478	CAP SCR 0.25-20X0.50 HHGR5	2	30	8622	CLAMP HOSE/TUBE AG-2	2
9	21170	CAP SCR 0.31-18X1.00 HHGR8	8	20	C5606	CLAMP 0.25 BLK VINYL	1	31	0343	WASHER 0.31 USS FLAT ZINC	2
10	21536	WEAR PAD .119X1.50 RND	2	21	26847	CYLINDER ASM 3.50X21.00	1	32	C0922	CAP SCR 0.31-18X1.00 HHGR5	2
11	21809	PLATE 1ST EXT 3315 WEAR PAD	2	22	16067	BUSHING QSI-2426-16	2				

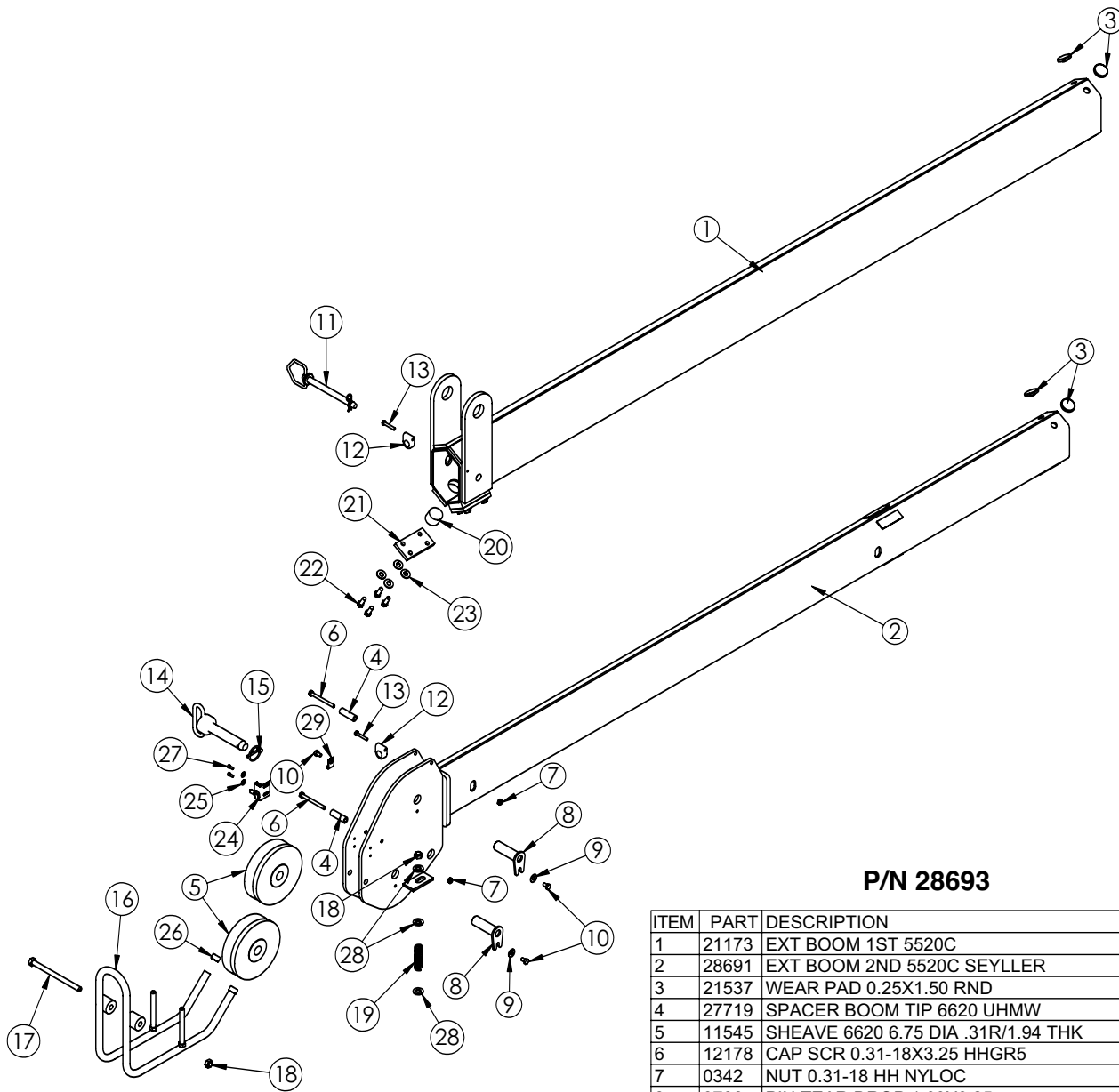
# Extension Boom Assembly - PN 21817



**P/N 21817**

ITEM	PART	DESCRIPTION	QTY.
1	21173	EXT BOOM 1ST 5520C	1
2	21165	EXT BOOM 2ND 5520C	1
3	21537	WEAR PAD 0.25X1.50 RND	4
4	11545	SHEAVE 6620 6.75 DIA .31R/1.94 THK	2
5	9706	PIN TEAR DROP 1.00X3.25	2
6	0343	WASHER 0.31 USS FLAT ZINC	2
7	0484	CAP SCR 0.31-18 X 0.50 HHGR5	2
8	12824	PIN HITCH 1.00X4.50	1
9	5753	PIN 0.19X1.56 LYNCH	1
10	27719	SPACER BOOM TIP 6620 UHMW	2
11	12178	CAP SCR 0.31-18X3.25 HHGR5	2
12	0342	NUT 0.31-18 HH NYLOC	2
13	0337	HOSE CLAMP LN 4190 PP	2
14	0220	CAP SCR 0.25-20 X 1.50 HHGR5	2
15	D1298	PIN HITCH 0.63X6.25	1
16	21536	WEAR PAD .1.19X1.50 RND	2
17	21809	PLATE 1ST EXT 3315 WEAR PAD	2
18	C6353	WASHER 0.38 FLAT GR8	8
19	13573	CAP SCR 0.38-16X1.00 HHGR8	8

# Extension Boom Assembly (Optional)- PN 28693

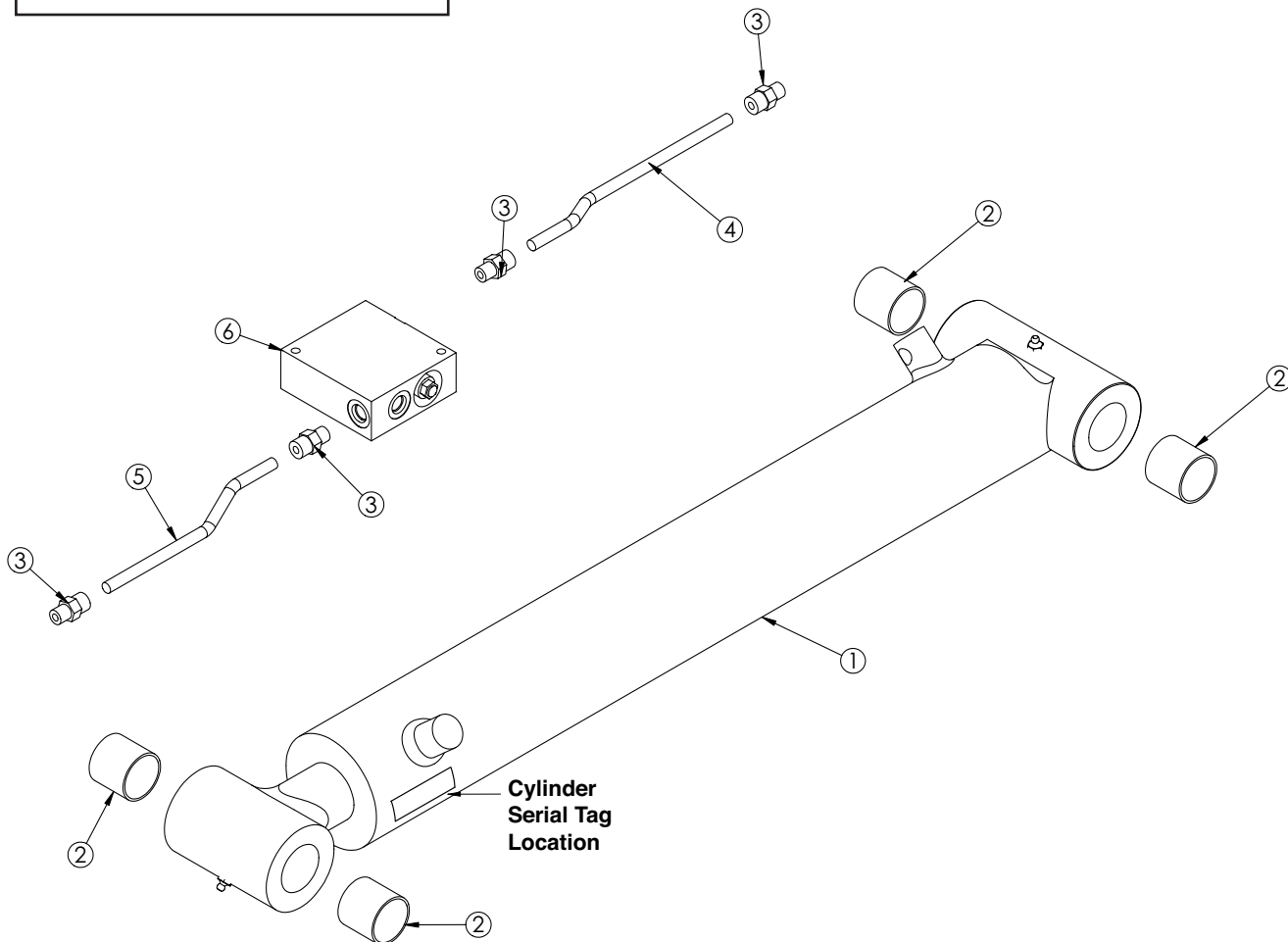


**P/N 28693**

ITEM	PART	DESCRIPTION	QTY.
1	21173	EXT BOOM 1ST 5520C	1
2	28691	EXT BOOM 2ND 5520C SEYLLER	1
3	21537	WEAR PAD 0.25X1.50 RND	4
4	27719	SPACER BOOM TIP 6620 UHMW	2
5	11545	SHEAVE 6620 6.75 DIA .31R/1.94 THK	2
6	12178	CAP SCR 0.31-18X3.25 HHGR5	2
7	0342	NUT 0.31-18 HH NYLOC	2
8	9706	PIN TEAR DROP 1.00X3.25	2
9	0343	WASHER 0.31 USS FLAT ZINC	2
10	0484	CAP SCR 0.31-18 X 0.50 HHGR5	3
11	D1298	PIN HITCH 0.63X6.25	1
12	0337	HOSE CLAMP LN 4190 PP	2
13	0220	CAP SCR 0.25-20 X 1.50 HHGR5	2
14	12824	PIN HITCH 1.00X4.50	1
15	5753	PIN 0.19X1.56 LYNCH	1
16	27717	CRADLE ASM A-2-BLOCK 6620 SEYLLER	1
17	13915	CAP SCR 0.50-13X7.00 HHGR5	1
18	C6106	NUT 0.50-13 HHGR5 NYLOC	3
19	27710	SPRING ANTI 2 BLOCK SEYLLER	2
20	21536	WEAR PAD .1.19X1.50 RND	2
21	21809	PLATE 1ST EXT 3315 WEAR PAD	2
22	13573	CAP SCR 0.38-16X1.00 HHGR8	8
23	C6353	WASHER 0.38 FLAT GR8	8
24	29085	SWITCH LIMIT E1117-B9111-6C	1
25	D0178	WASHER #10 SAE FLAT ZINC	2
26	29199	CAP RUBBER CRADLE A2B	2
27	31132	SCREW #10-24X0.50 SH SS	2
28	D0790	WASHER 0.50 FLAT GR8	6
29	31279	CLAMP 0.31 BLK VINYL	1

# Main Cylinder Assembly - PN 26847

Note: Main Cylinder uses Stellar Seal Kit P/N 10705



## PN 26847

ITEM	PART	DESCRIPTION	QTY.
1	13754	CYLINDER 3.50X21.00	1
2	0067	BUSHING BPC-2426-24 1.50X1.50	4
3	0279	FTG ADAPT 6-F5OLO-S	4
4	26212	TUBE ASM 0.38X9.63 MAIN CYL 6620	1
5	15173	TUBE ASM 0.38X7.81 MAIN CYL 5520	1
6	13080	MANIFOLD SINGLE T11A 3500 PSI	1

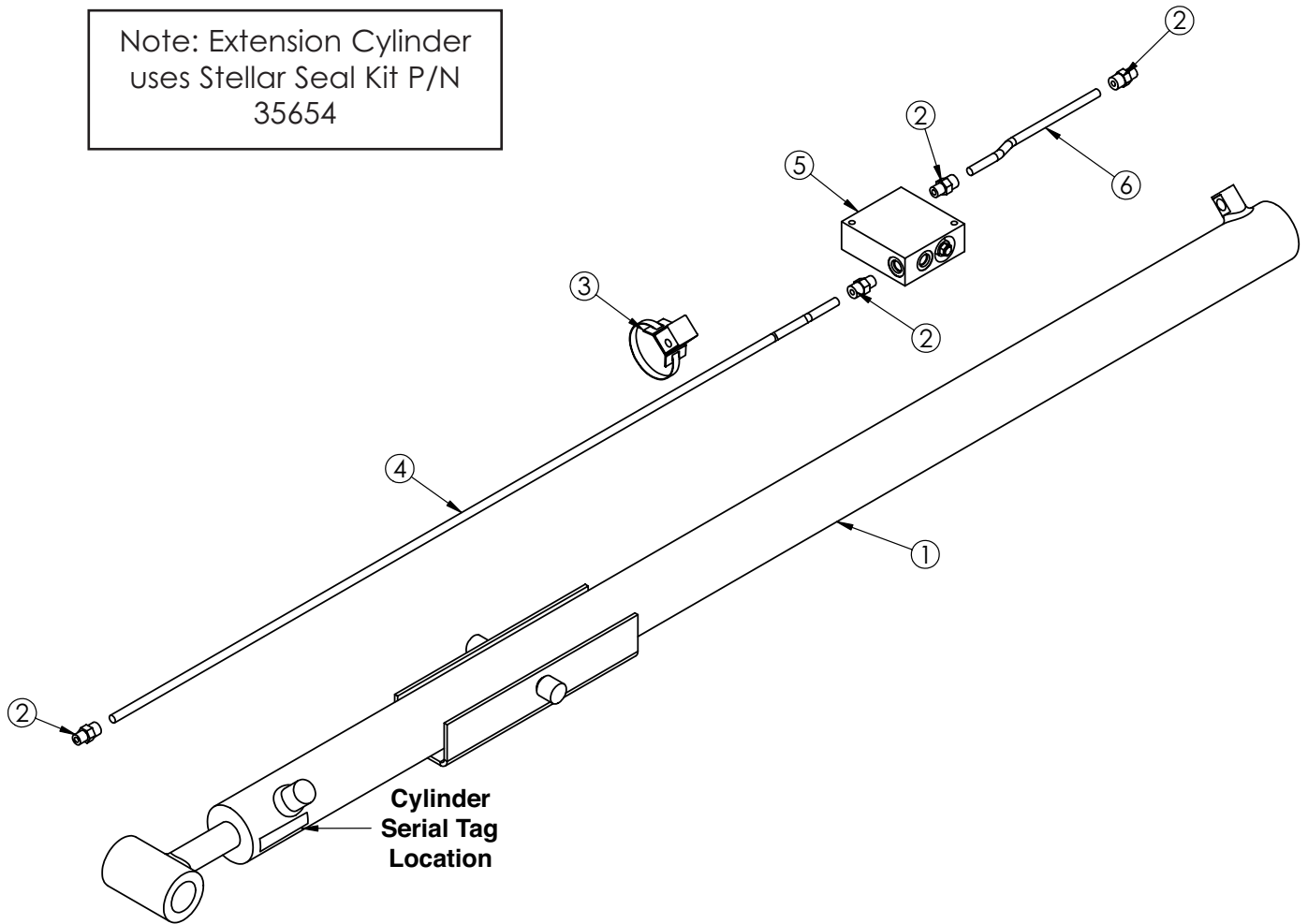
BUSHINGS SHOWN AS REFERENCE

**Holding Valve Removal Procedure:**

- Locate Holding Valve to be removed.
- Unlock Jam Nut, as shown.
- Turn center screw, as shown, ClockWise Direction. Important - Count the turns it takes until stopping.
- Holding valve can now be removed from manifold. Important - Before replacing valve, reset by turning the center screw the same amount of turns Counter ClockWise as in previous step.
- Reset Jam Nut.
- Valve is now removed and set at Factory Specifications.

# Extension Cylinder Assembly - PN 26848

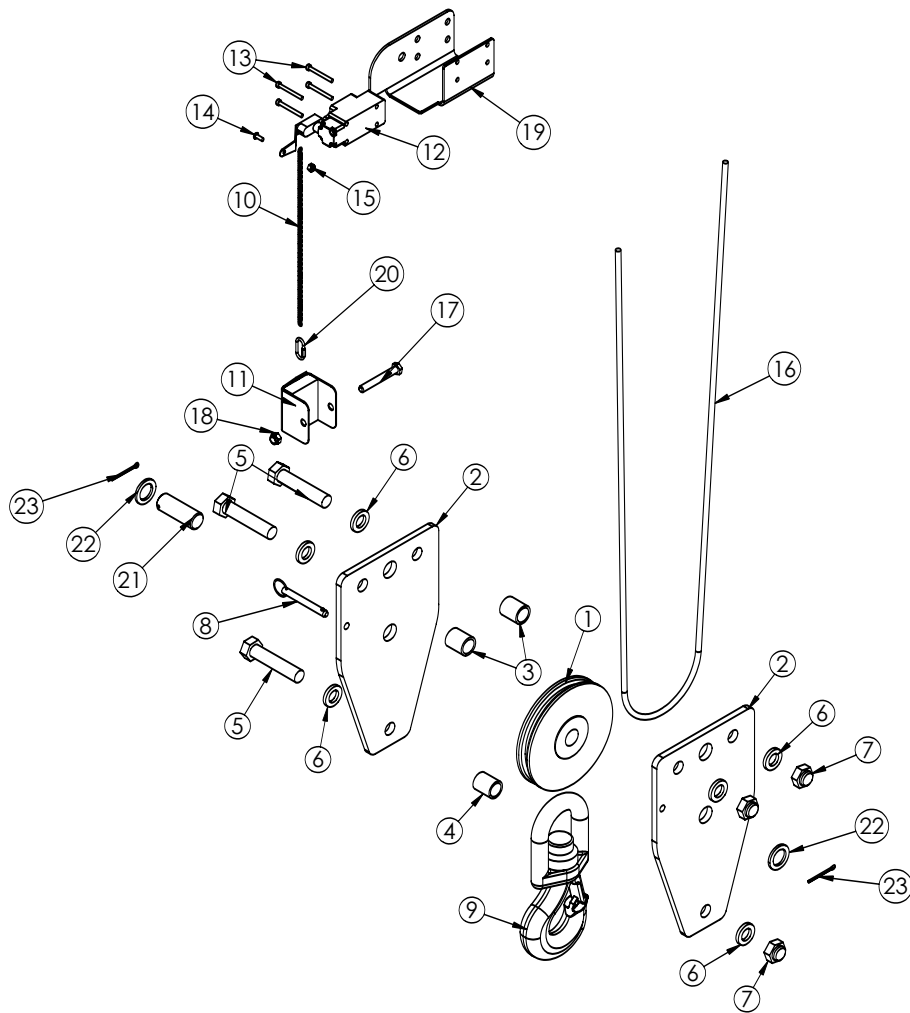
Note: Extension Cylinder uses Stellar Seal Kit P/N 35654



### P/N 26848

ITEM	PART	DESCRIPTION	QTY.
1	21538	CYLINDER 2.50 X 60.00	1
2	0279	FTG ADAPT 6-F5OLO-S	4
3	14929	CLAMP 0.38 PORT TUBE	1
4	13575	TUBE ASM 0.38X45.00 EXT CYL 5520	1
5	16154	MANIFOLD DOUBLE T11A 3500 PSI	1
6	12158	TUBE ASM 0.38X8.88 MAIN CYL 6620	1

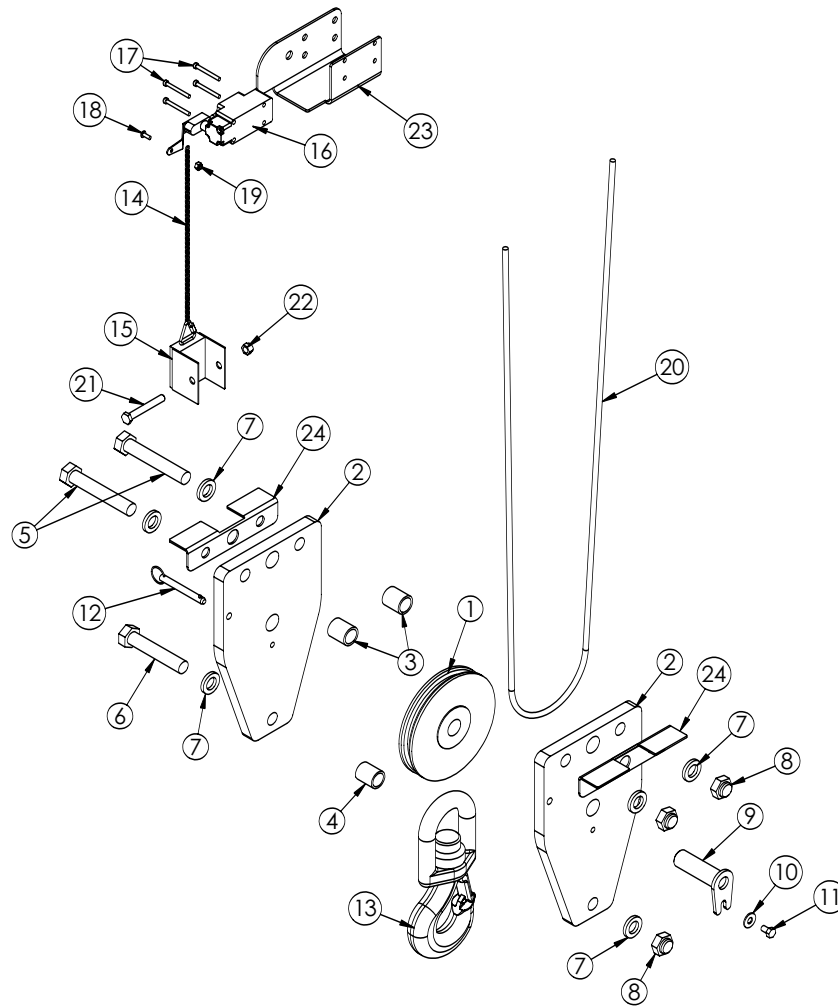
# Cable & Hook Assembly - PN 38202



## PN/38202

ITEM	PART	DESCRIPTION	QTY.
1	11934	SHEAVE 6620 6.50 DIA .31R/1.12 THK	1
2	37120PC	PLATE 6620 SNATCH BLOCK	2
3	27812	SPACER 6620 SNATCH BLOCK UHMW	2
4	11666PC	SPACER 5520 SNATCH BLOCK	1
5	4975	CAP SCR 0.75-10X3.50 HHGR8 ZY	3
6	C6219	WASHER 0.75 SAE FLAT YELLOW GR8	6
7	C0538	NUT 0.75-10 HHGR8 NYLOC	3
8	9263	PIN .38X3.00 QUICK RELEASE	1
9	25831	HOOK 5 TON SWIVEL CROSBY 1028623	1
10	10972	CHAIN 0.105 (RM) 2607-21201	1
11	35264PC	WEIGHT ANTI 2 BLOCK	1
12	11938	SWITCH LIMIT A2B FURNAS 3SE3170	1
13	33749	SCREW #10-24X1.75 SHGR8 ZINC	4
14	D1711	CAP SCR #10-24X0.50 BTNHD SS	1
15	C4956	NUT #10-24 HH NYLOC SS	1
16	9610	WIRE ROPE 0.31 6X19 IWRC-XIP 90FT	1
17	0530	CAP SCR 0.38-16X2.75 HHGR5	1
18	0347	NUT 0.38-16 HH NYLOC	1
19	33081	COVER ANTI 2 BLOCK	1
20	37850	CONNECTOR QUICK LINK 0.13	1
21	37601	PIN 1.00X2.75 COTTER	1
22	0424	MACHY WASHER 1.00ID 10GA	2
23	37824	COTTER PIN .125X1.00	2

# Basket Cable & Hook Assembly (Optional)- PN 43537



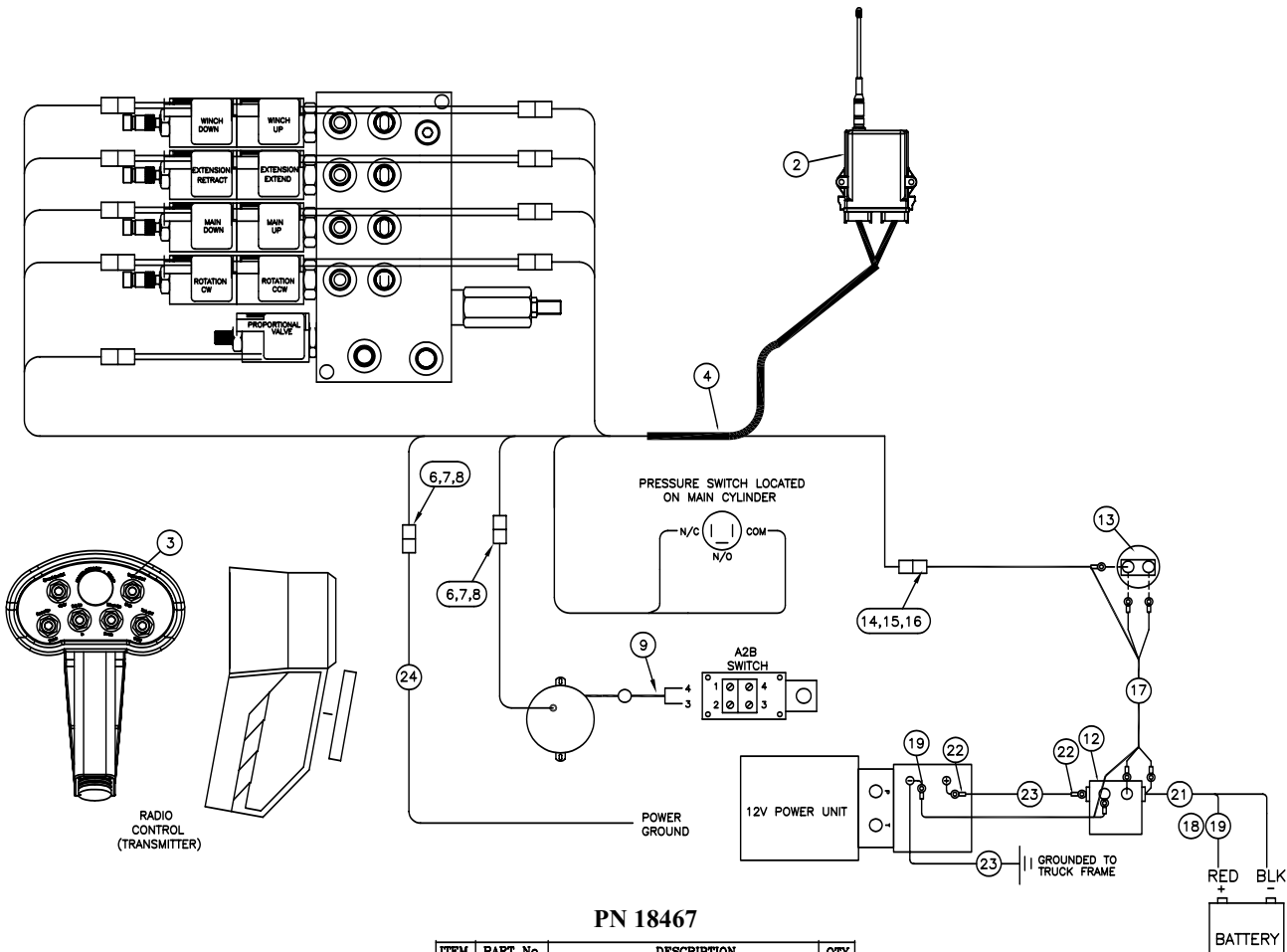
## PN 43537

ITEM	PART	DESCRIPTION	QTY.
1	11934	SHEAVE 6620 6.50 DIA .31R/1.12 THK	1
2	9676	PLATE 6620 SNATCH BLOCK	2
3	27812	SPACER 6620 SNATCH BLOCK UHMW	2
4	11666	SPACER 5520 SNATCH BLOCK	1
5	5841	CAP SCR 0.75-10X4.50 HHGR8 ZY	2
6	C6218	CAP SCR 0.75-10X4.00 HHGR8 ZY	1
7	C6219	WASHER 0.75 SAE FLAT YELLOW GR8	6
8	C0538	NUT 0.75-10 HHGR8 NYLOC	3
9	9706	PIN TEAR DROP 1.00X3.25	1
10	0343	WASHER 0.31 USS FLAT ZINC	1
11	0484	CAP SCR 0.31-18 X 0.50 HHGR5	1
12	9263	PIN .38X3.00 QUICK RELEASE	1
13	25831	HOOK 5 TON SWIVEL CROSBY 1028623	1
14	10972	CHAIN 0.105 (RM) 2607-21201	1
15	19994PC	WEIGHT ANTI 2 BLCK 19994 POWDERCOAT	1
16	11938	SWITCH LIMIT A2B FURNAS 3SE3170	1
17	33749	SCREW #10-24X1.75 SHGR8 ZINC	4
18	D1711	CAP SCR #10-24X0.50 BTNHD SS	1
19	C4956	NUT #10-24 HH NYLOC SS	1
20	9610	WIRE ROPE 0.31 6X19 IWRC-XIP 90FT	1
21	0530	CAP SCR 0.38-16X2.75 HHGR5	1
22	0347	NUT 0.38-16 HH NYLOC	1
23	33081	COVER ANTI 2 BLOCK	1
24	43536	BRACKET SNATCH BLOCK CRADLEA2B 5520	2



# Chapter 8 - Hydraulics - Electrical

## Control Kit (Electrical Version) - PN 18467

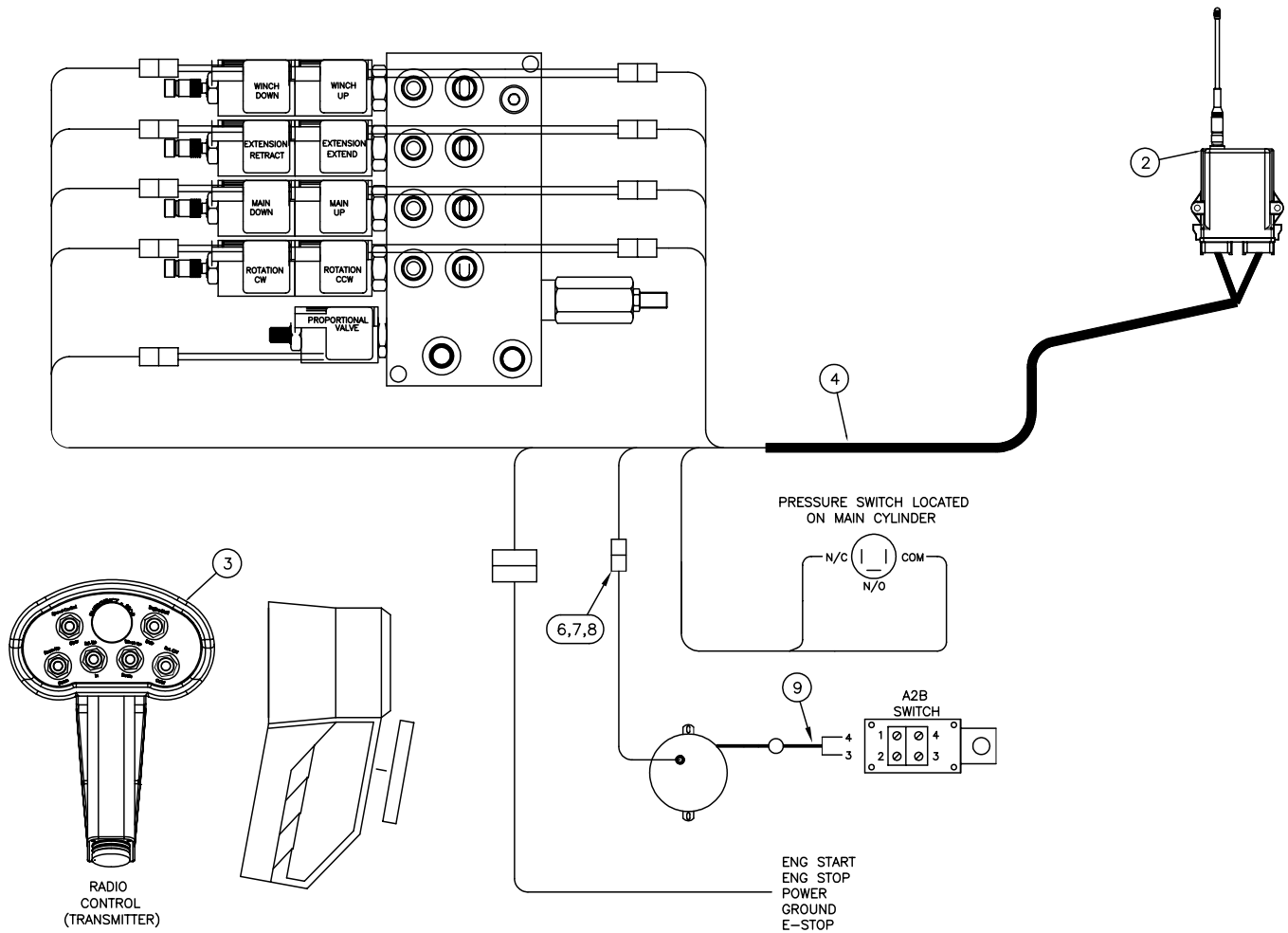


PN 18467

ITEM	PART No.	DESCRIPTION	QTY
01	36976	RADIO CONTROLLER ASM 6 FCTN	1
02	34103	RECEIVER - RADIO (PART OF 1)	1ref
03	34102	TRANSMITTER RADIO 6 FCTN (PART OF 1)	1ref
04	34443	WIRE HARNESS 6 FCTN 5520 12V H2	1
05	13004	WIRE HARNESS PRESSURE SWITCH 6620	1
06	9752	CONNECT 2 PIN SHROUD PACKARD	2
07	8384	CABLE SEAL 18-20 PACKARD	4
08	9758	CONTACT M TERM SHROUD 18-20	4
09	10985	CABLE GROMMET	1
10			
11			
12	18468	SOLENOID 12V 200 AMP CONT	REF
13	17771	SWITCH PUSH BUTTON	1
14	10978	CONTACT M TERM SHROUD 14-16 31034	1
15	11359	CABLE SEAL 14-16 PACKARD	1
16	12174	CONNECT 1 PIN TOWER PACKARD	1
17	34658	WIRE HARNESS 5520 SOLENOID	1
18	38435	FUSE 200 AMP 48274	1
19	32523	FUSE HOLDER 46039	1
20			
21	20486	CABLE #2 2 WIRE (RM)	34'
22	4070	TERML #2X.38 COPPER LUG	8
23	17279	CABLE #2 WELDING	20"
24	C6202	WIRE 14-2 PRIMARY BLK & RED	25'
25	13561	HEAT SHRINK 0.19 BLACK 4.00L	2
26	15218	HEAT SHRINK 0.50 BLK	2'
27			1
28	18472	DECAL MANUAL OPERATION 5520	1
29			
30			
31			
32			

Place the 200 Amp fuse as close to the battery as possible.

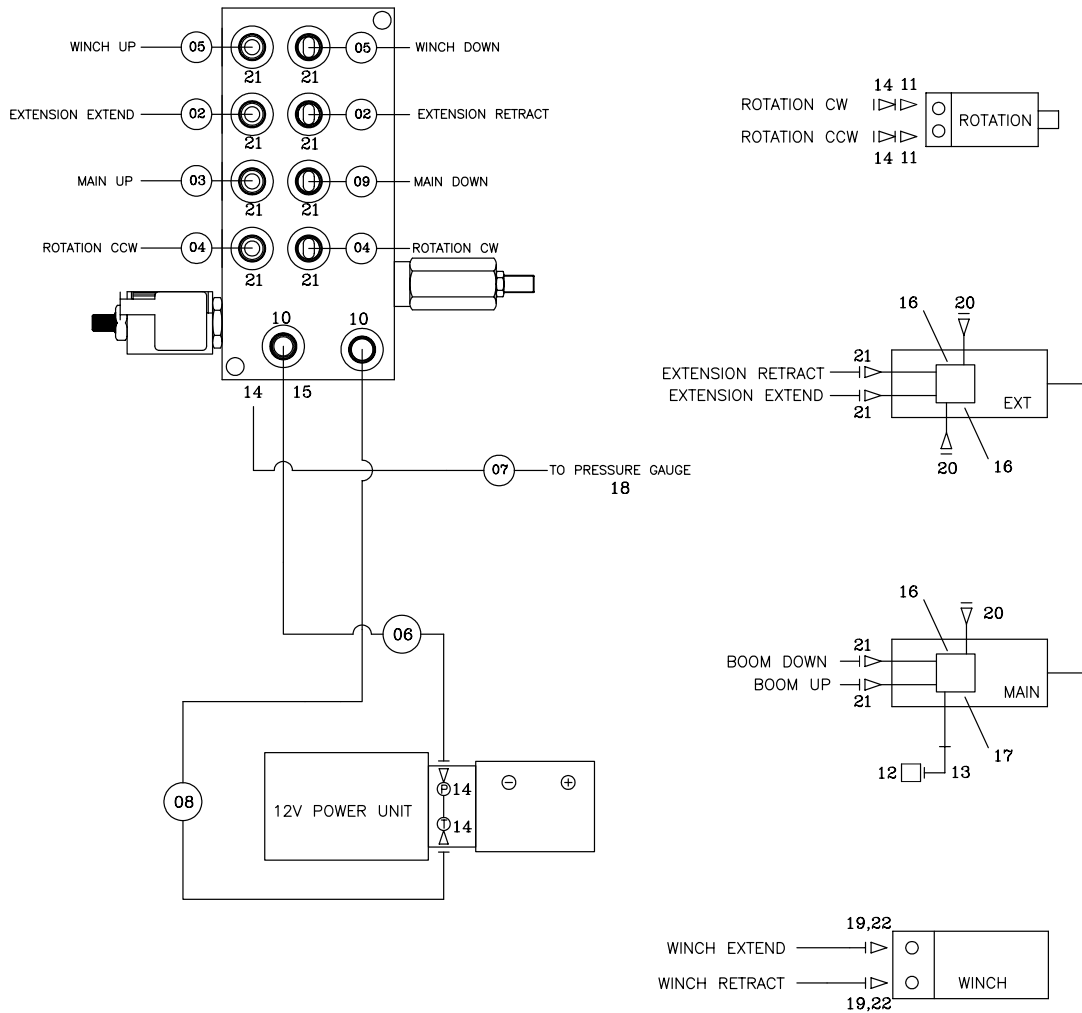
# Control Kit (Hydraulic Version) - PN 14035



## P/N 14035

09	10965	CABLE GROMMET	1
08	9756	CONTACT M TERM SHROUD 18-20	2
07	8384	CABLE SEAL 18-20 PACKARD	2
06	9752	CONNECT 2 PIN SHROUD	1
05			1
04	34044	WIRE HARNESS RADIO/VB	1
03	34102	TRANSMITTER - RADIO (PART OF 1)	REF
02	34103	RECEIVER - RADIO (PART OF 1)	REF
01	34101	RADIO CONTROLLER ASSEMBLY	1
<b>ITEM</b>	<b>PART No.</b>	<b>DESCRIPTION</b>	<b>QTY</b>

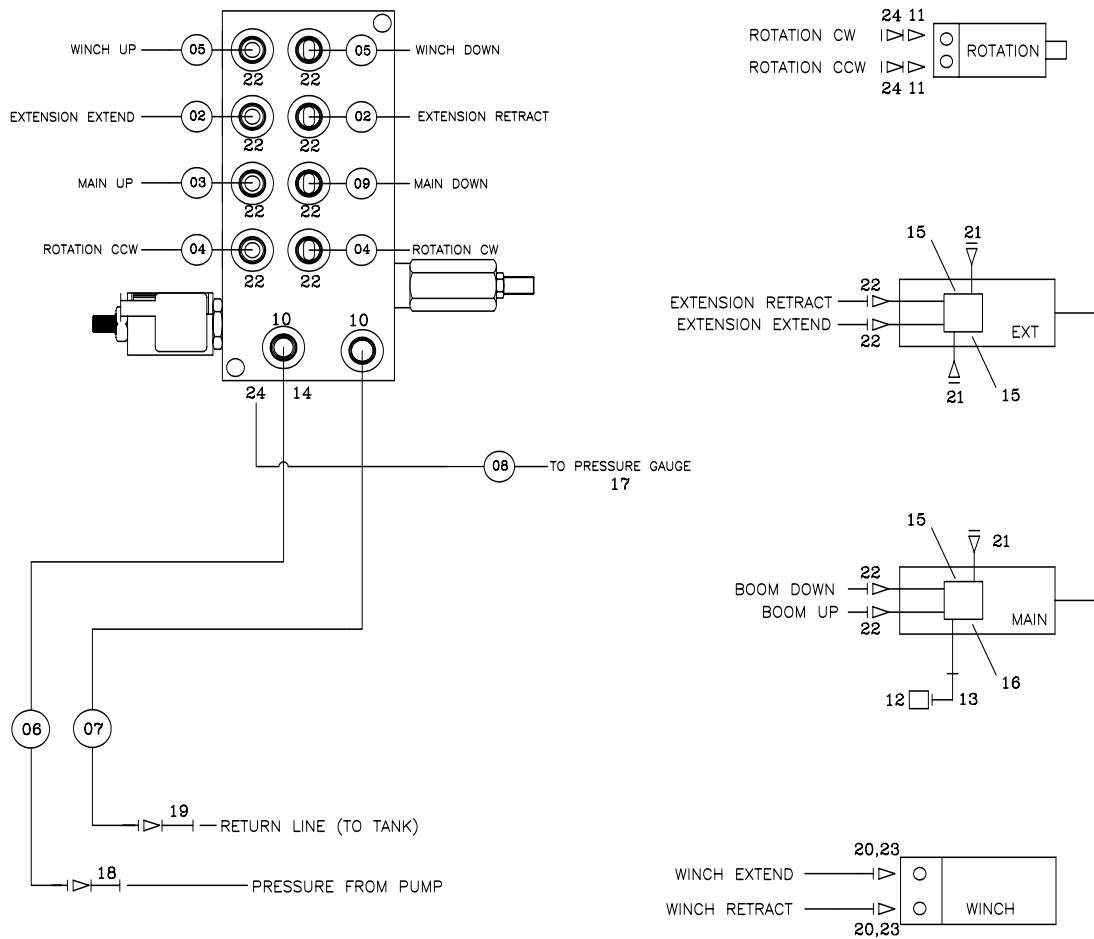
# Hydraulic Kit (Electrical Version) - PN 23898



## P/N 23898

22	0279	FTG ADAPT 6-F50LO-S	2
21	C4922	FTG ADAPT 4-6 F50LO-S	12
20	C4961	FTG O-RING PLUG	REF
19	20060	FTG ADAPT MBSPP/FSTR 3/8-6 F40HG5	1
18	25890	GAUGE OIL 0-5000 1/4 NPT TOU	1
17	11991	VALVE C-BAL PLUG	REF
16	9803	VALVE C-BAL	REF
15	D1535	PLUG STR HOLLOW HEX 0.50 8-HP50N	1
14	3338	FTG MF/MSTR 90 4-6 C50LO-S	5
13	3861	FTG ML FM O-RING 90 DEG	1
12	4587	SWITCH PRES OVERLD 744.6-S03R-3200N	1
11	C1111	FTG ADAPT MSTR/FSTR 10-6 F50G5	2
10	C0338	FTG MF/MSTR 90 6-C50LO-S	2
09	18290	HOSE-HYD .25 X 19	1ref
08	26021	HOSE-HYD .25 X 33.5	1ref
07	26016	HOSE-HYD .25 X 21	1ref
06	26020	HOSE-HYD .25 X 30.5	1ref
05	13438	HOSE-HYD .25 X 26	2ref
04	23905	HOSE-HYD .25 X 35	2ref
03	23903	HOSE-HYD .25 X 21	1ref
02	23904	HOSE-HYD .25 X 75	2ref
01	23914	HOSE KIT,5520C CRANE (incl:2-6)	1
ITEM	PART No.	DESCRIPTION	QTY

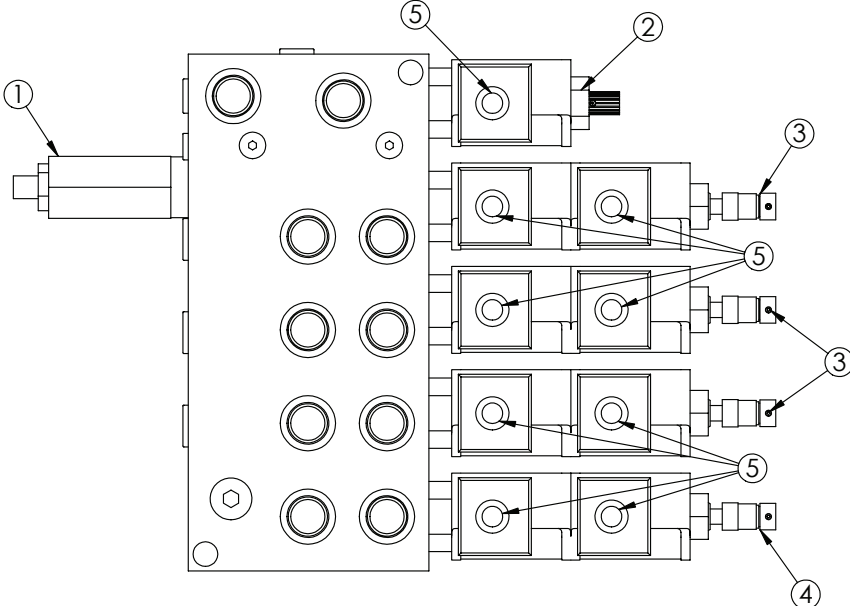
# Hydraulic Kit (Hydraulic Version) - PN 23901



## P/N 23901

24	3338	FTG MF/MSTR 90 4-6 C50LO-S	3
23	0279	FTG ADAPT 6-F50LO-S	2
22	C4922	FTG ADAPT 4-6 F50LO-S	12
	C4961	PLUG STR HOLLOW HEX 0.38 6-HP50N	REF
20	20060	FTG ADAPT MBSPP/FSTR 3/8-6 F4OHG5	2
19	12172	FTG SWIVEL 0.50 FS/FS PS81 JMJM-8-8	1
18	12171	FTG SWIVEL 0.38 FS/FS PS81 JMJM-6-6	1
17	25890	GAUGE OIL 0-5000 1/4 NPT TOU	1
16	11991	VALVE C-BAL PLUG	REF
15	9803	VALVE C-BAL	REF
14	D1535	PLUG STR HOLLOW HEX 0.50 8-HP50N	1
13	3861	FTG ML FM O'RING 90 DEG	1
12	4587	SWITCH PRES OVERLD 744.6-S03R-3200N	1
11	C1111	FTG ADAPT MSTR/FSTR 10-6 F50G5	2
10	C0338	FTG MF/MSTR 90 6-C50LO-S	2
09	18290	HOSE-HYD .25 X 19	1ref
08	26016	HOSE-HYD .25 X 15	1ref
07	23907	HOSE-HYD .38 X 5	1ref
06	23906	HOSE-HYD .38 X 6	1ref
05	13438	HOSE-HYD .25 X 26	2ref
04	23905	HOSE-HYD .25 X 35	2ref
03	23903	HOSE-HYD .25 X 21	1ref
02	23904	HOSE-HYD .25 X 75	2ref
01	23902	HOSE KIT,5520C CRANE (incl:2-9)	1
ITEM	PART No.	DESCRIPTION	QTY

# Valve Bank - PN 24690

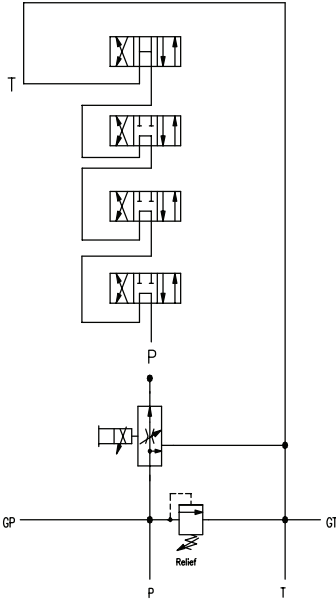
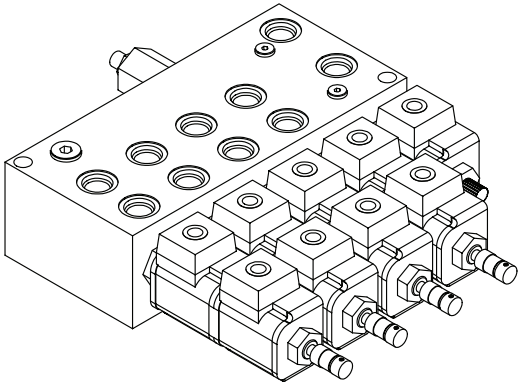


## P/N 24690 Valve Identification

Valve Item #3 P/N 25371 GS0457  
Valve Item #4 P/N 25372 GS0459

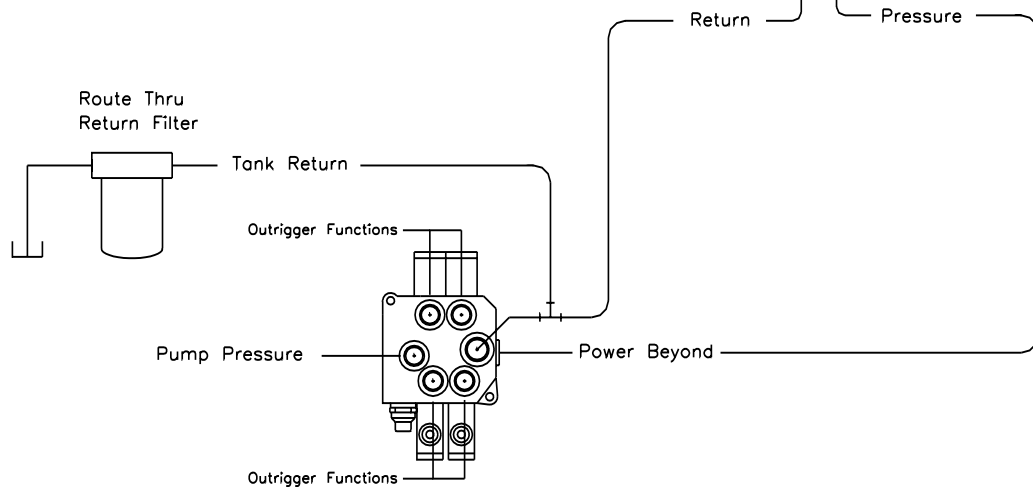
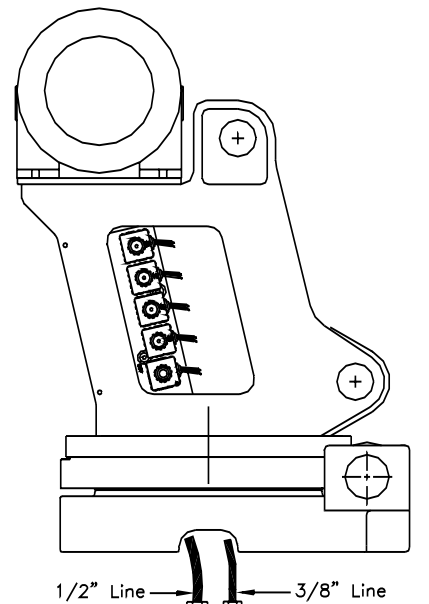
ITEM	PART	DESCRIPTION	QTY
1	25367	RELIEF VALVE 24685/24690	1
	25368	SEAL KIT 25367	
2	25381	VALVE FLW CTRL PRP/JP04C3050N 0-4	1
	25369	SEAL KIT 24960/25381	
3	25371	VALVE SOLND 3 POS 4 WAY TAND G04571	3
4	25372	VALVE SOLND 3 POS 4 WAY OPEN G04591	1
	25373	SEAL KIT 25371/25372	
5	25370	COIL 12VDC PACKARD MALE 24685/24690	9

### HYDRAULIC SCHEMATIC



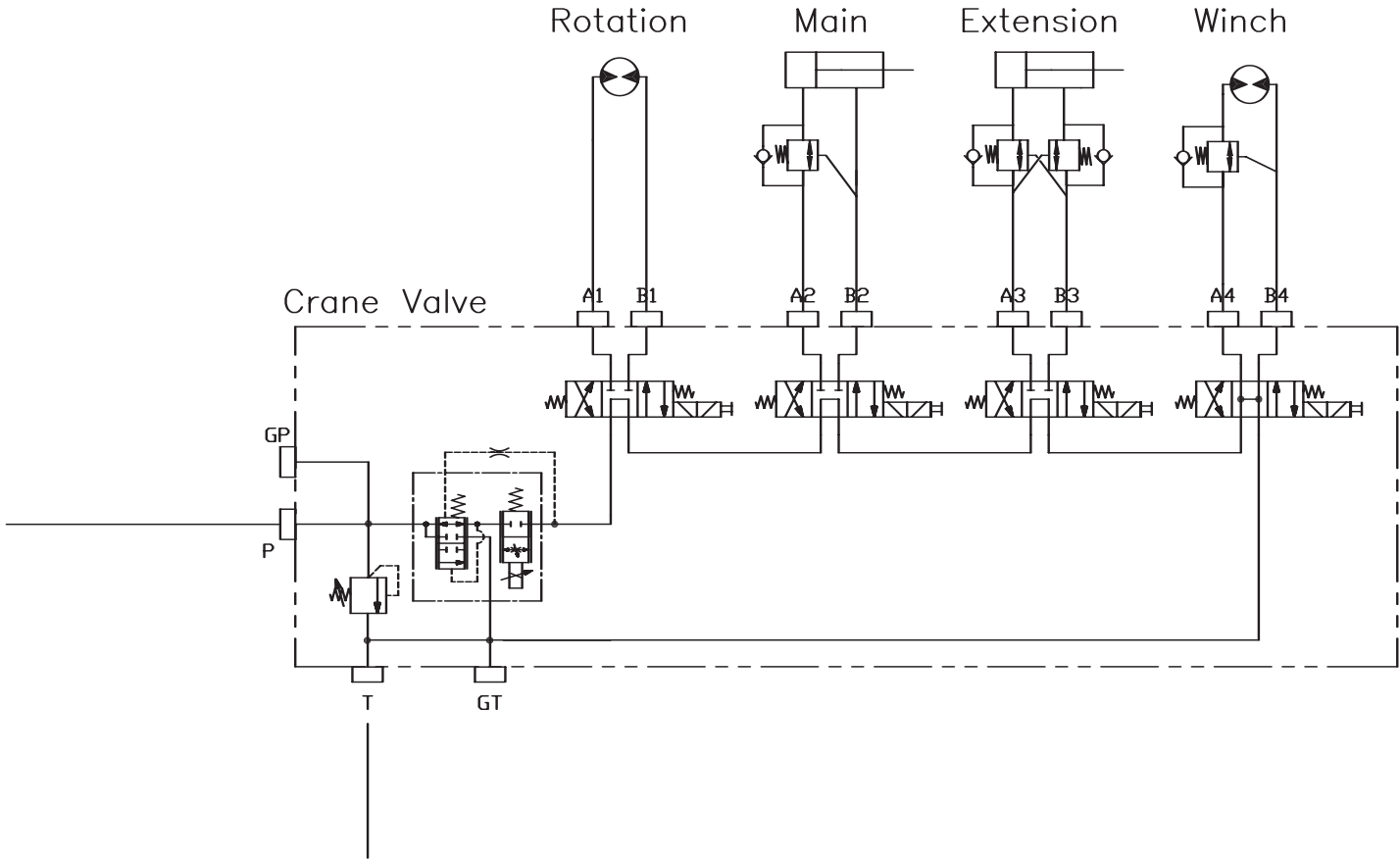
# Hydraulic Installation

1. After mounting, locate the pressure and return lines. Note: Pressure line is 3/8" hose; Return line is 1/2" hose. Hoses are terminated using swivel fittings.
2. Install hydraulic lines per diagram below. Note: Outrigger valve supplies oil to crane using the Power Beyond feature.
3. Install hydraulic reservoir with return filter. Attach pump pressure line to valve, return link to tank.
4. Fill system with hydraulic oil (Mobil DTE-13M is recommended).



Typical Outrigger Valve  
with Power Beyond Capabilities

# Hydraulic System







# Chapter 9 - Replacement Parts

PART#	DESCRIPTION	QTY
D1204	HYDRAULIC SWING MOTOR	1
25367	RELIEF VALVE	1
25368	SEAL KIT - RELIEF VALVE	1
25381	FLOW CONTROL VALVE	1
25369	SEAL KIT - FLOW CONTROL VALVE	1
25371	SOLENOID VALVE TAND G04571	1
25372	SOLENOID VALVE OPEN G04591	1
25373	SEAL KIT - SOLENOID VALVE	1
25370	COIL - 12VDC	2
15110	CHECK VALVE	1
13080	MANIFOLD ASM - MAIN CYLINDER	
9803	C-BALANCE VALVE	2
11991	PLUG - C-BALANCE	1
16154	MANIFOLD ASM - EXTENSION CYLINDER	1
10705	SEAL KIT - MAIN LIFT CYLINDER	1
35654	SEAL KIT - EXTENSION CYLINDER	1
4587	PRESSURE SWITCH	1
25890	HYD PRESSURE GUAGE	1
C2027	O'RING - # 4 FACE SEAL	4
C2028	O'RING - # 6 FACE SEAL	4
D1245	O'RING - # 4 SAE	4
D1246	O'RING - # 6 SAE	4
15173	TUBE ASM - MAIN CYLINDER	1
12158	TUBE ASM - EXTENSION CYLINDER	1
13575	TUBE ASM - EXTENSION CYLINDER	1
21810	BUSHING 1.50" X 0.75"	2
#0067	BUSHING 1.50" X "1.50	2
16067	BUSHING 1.50" X 1.00"	2
21536	WEAR PAD 1.19" X 1.50"	2
21537	WEAR PAD 0.25" X 1.50"	2
7403	PIN CAP .44 X 2.50 X .25	2
9142	PIN CAP .56 X 2.50" X 0.25" SS	2
C6353	WASHER 0.38 FLAT GR8	4
9843	CAP SCR. 0.38-16 X 0.75"	4
11545	SHEAVE	1
11934	SHEAVE	1
9610	WIRE ROPE	1
12824	HITCH PIN 1.00" X 4.50"	1
D1298	HITCH PIN 0.63" X 6.25"	1
9263	QUICK RELEASE PIN .38 X 3.00"	1
5753	LYNCH PIN	1
11938	LIMIT SWITCH	1
19501	SAFETY LATCH FOR 5 TON SWIVEL HOOK	1
11544	CORD REEL	1
12280	3.6V BATTERY	2
11846	BATTERY CHARGER 12V	1
16255	BATTERY CHARGER 110V	1
18468	12V SOLENOID (12volt hydraulic system)	1
17771	PUSH BUTTON (12volt hydraulic system)	1
35264PC	ANTI-2 BLOCK WEIGHT	1



# Chapter 10 - Troubleshooting

**This chapter will list a number of potential problems that may occur while operating the crane. Most problems are easily solved using the solutions portion of this chapter. If problems persist, please contact Customer Service at Stellar Industries 1-800-321-3741.**

**Problem: Crane will not operate.**

**Solutions:**

- Make sure that the parking brake is engaged.
- Make sure that the PTO is engaged.
- Make sure that there is 12V power going to the radio receiver. If there is no power going to the receiver, trace back to the power source and check for a blown fuse or loose ground connection. Refer to radio remote troubleshooting guide at the end of this chapter.
- Make sure that the transmitter batteries are fully charged. (Rechargeable batteries are good for 11 months or 200 charges)
- Make sure that the hydraulic pump is operating at its rated flow or GPMs. Check the flow by using the flow meter to determine the GPMs. It is possible that the hydraulic pump is getting weak. If this is suspected, contact Stellar Customer Service.

**Problem: Crane will operate manually but will not operate electrically.**

**Solutions:**

- Make sure that there is 12V power going to the radio receiver. If there is no power going to the receiver, trace back to the power source and check for a blown fuse or loose ground connection. Refer to radio remote troubleshooting guide at the end of this chapter.
- Make sure that the parking brake is engaged.
- Make sure that the parking brake switch is working properly. Check the parking brake switch by performing a continuity test. If the switch is defective, simply replace it.

**Problem: Not all crane functions operate using the radio remote transmitter or crane operates intermittently.**

**Solutions:**

- Make sure that the toggle switch is working properly. If the switch is defective, simply replace it.
- Make sure that there is power going from the valve bank coil solenoid or to the function that will not operate. If no power is going to the coil solenoid, check wiring connections on wire harness plug connector for broken wires, loose connection or poor crimp. If power is going to the solenoid valve, it may not be opening to allow hydraulic oil to the function that is not operating. Remove stem valve, thoroughly clean, lubricate, and reinstall valve. Do not over tighten. If the valve will not close, simply replace it.

**Problem: Two functions operate at the same time while only toggling one function.**

**Solutions:**

- Make sure that the solenoid valves are all in the center position.
- Determine the function that is operating on its own. Check to see if there is power going to the solenoid valve from a function that should not be operating. If voltage is present at the solenoid valve without operating the function, the toggle switch has failed and is stuck in the "on" function. If no voltage is present, the solenoid valve may be partially open. Remove the stem valve, thoroughly clean, lubricate, and reinstall the valve. Do not over tighten. If valve will not close, simply replace it.

**Problem: Winch brake will not hold.**

**Solutions:**

- Check to see if the back pressure on the return line of the winch is greater than 50 psi. Try operating a function other than the winch. Operate the function both ways and then stop. Now operate the winch. If the brake still does not hold, contact Customer Service at Stellar.

**Problem: Winch will not hold load.****Solutions:**

- Make sure that the object being lifted does not exceed the rated capacity of the winch. Refer to the capacity chart. If the object is within the rated capacity, reposition the truck and try to lift the object without using the crane boom extensions.
- Make sure that the relief valve on the winch is set correctly. Readjust the relief valve if necessary.

**Problem: Crane only operates at full speed.****Solutions:**

- Check to see if there is 12V power constantly going to the proportional valve. If 12 volts are showing up at the proportional valve without pulling on the transmitter trigger, the handle/trigger assembly may be defective. If 8 volts are showing at the proportional valve, it is possible that the valve is stuck open and will not close. Remove the valve, clean it thoroughly and reinstall. Do not over tighten. If the problem persists, replace the proportional valve.
- Check to see if the manual override on the proportional valve is turned out. Turn the manual override on the flow valve in.

**Problem: Crane operates slowly.****Solutions:**

- Make sure that the crane is receiving the recommended GPMs to operate.
- Check the level of hydraulic fluid in the reservoir. Add fluid as needed.
- Check to see if the valve bank orifice is plugged. If so, replace the orifice. Call Stellar Customer Service for instructions.
- Make sure the proportional valve is receiving 12V power when fully engaging the transmitter trigger. If there is not 12V power while pulling the trigger, check for loose connections inside the transmitter or replace the handle trigger assembly. If the proportional valve is receiving 12 volts, loosen the solenoid holding nut and check to see if the solenoid coil is magnetizing. If no polarity is present, replace the coil. If coil is magnetizing, remove the stem valve, thoroughly clean, lubricate, and reinstall the valve.

**Problem: Winch "Up", Main Cylinder "Down", and Extension Cylinder "Out" are the only functions that don't operate.****Solutions:**

- Make sure that the unit 2-block weight and chain on the end of the boom are straight so they slide easily along the wire rope cable.
- Make sure that the limit switch is working properly. Disconnect the two wires connected to the limit switch and tie them together. If all functions operate, replace the limit switch.
- Make sure that the cord for the cord reel is undamaged. Check the continuity of the cord. Disconnect the cord reel from the crane harness and bypass the harness connection. If the crane operates properly, replace cord reel.

**Problem: Cylinder drifts outward or downward.****Solutions:**

- Check to see if there is air in the hydraulic system. Operate all cylinders connected to the hydraulic system. Start with the extension cylinder, then operate the main boom, winch, rotation, and ending with the hydraulic outriggers, if installed. When operating, extend each cylinder halfway out, retract all the way in, and then extend until the cylinder rod is at the end of its stroke. Operate cylinders slowly so air is pushed thru the system to the reservoir. Repeat this cycle 2-3 times.
- Make sure the holding valves are operating properly. Remove, clean, and then inspect each holding valve. When removing a holding valve, always relieve the pressure inside the cylinder by loosening jam nut of the holding valve and turning set screw inward/clockwise. Count the number of turns until the set screw is seated. When reinstalling the holding valve, make sure the valve is reset by turning the set screw the number of turns it took to relieve the pressure. Finish by tightening the jam nut.
- Check the cylinder rod for scratches. If a scratch is located on the cylinder rod, hydraulic fluid can pass thru and cause a loss of pressure. Replace cylinder rod or cylinder.
- Check to see if the piston seals are damaged. If they show signs of damage, install a new cylinder seal kit.

# 6 Function Hetric Radio Remote Troubleshooting

*If the system does not operate after normal start-up, follow the recommended troubleshooting sequence to help isolate the cause and determine corrective action.*

### Transmitter

- Is the E-Stop pushbutton pulled out?
- Are all the switches in their center (neutral) position.
- Are the batteries in the transmitter fully charged?
- Is the transmitter inside its operating range?

### Receiver

- Is the antenna plug securely connected?
- If there is an external antenna, is the antenna connection assembly outside the enclosure secure?
- Are the power supply and ground wires securely fastened?
- Are the signal wires separated from the power supply wires?

PROBLEM	PROBABLE CAUSE	CORRECTION
System will not operate after normal start-up procedure.	E-Stop switch engaged	Pull out E-Stop switch.
	Batteries fully discharged	Check batteries to ensure a full charge. Replace with new batteries if necessary.
	No power to the receiver	Check the diagnostic LED on the receiver to be sure power is applied. Ensure that the system is properly grounded.
Transmitter is transmitting (Power LED flashing), but crane will not respond	E-Stop switch engaged	Pull out the E-Stop push button and activated switch on transmitter.
	Transmitter out of range	Take the transmitter back into the range of the receiver.
	Receiver power off	Turn on power to receiver.
	E-Stop failure in transmitter	Check E-Stop pushbutton for damage. Check wiring to contact element for broken or disconnected wires. Repair or replace E-Stop push button or wiring.
All crane motions operate intermittently	Receiver antenna is loose or missing	Tighten or replace antenna.
	External antenna (if used) has loose connection, poor grounding or interference	Tighten antenna and ground connection.
	Ground wiring is poor. Conductor is too small, or receiver is grounded to chassis.	Ground wiring must be connected to machine power source ground. Minimum diameter of conductor ground is 12 AWG.
Some crane motions operate intermittently	Crane motion wiring may be loose.	Check wiring from receiver to plug and from plug to crane motion actuator.

## Transmitter Troubleshooting

Notice: When testing the transmitter, the receiver may become active resulting in system operation. Always assume the system is working and will respond when testing a transmitter.

### Status LED Troubleshooting

LED Indication	Possible Cause
LED is off	Transmitter is off
LED flashes	Transmitter is operating in a normal mode
LED will not light when any button is pushed, or LED remains on continuously	Replace batteries. If this does not correct the problem, the transmitter must be returned for repair.

### Transmitter Repairs

Notice: The transmitter electronic components are exposed when the back of the case is removed. Take caution to prevent dirt or other contaminants from entering the case. Do not allow the circuit to be scraped or damaged in any way.

## Receiver Troubleshooting

The following steps should be followed when troubleshooting the receiver.

1. Check the LED indicator. If it is not lit:
  - a. Make sure 12 VDC and ground is present at the connecting wires.
  - b. If using the AC power, check for AC power on the connecting wires.
  - c. If input power is present and the LED is off, check the fuse inside the receiver case.
  - d. If input power is present and the LED is off, and the fuse inside the receiver case is OK, contact Customer Service at Stellar Industries.
2. Activate the transmitter by pressing any command switch.
  - a. If the receiver LED does not flash, test the transmitter.
  - b. Verify the identity code is the same for the transmitter and receiver. use the learn button to re-program the receiver for the transmitter.
  - c. Contact Customer Service at Stellar Industries.
3. Only some functions are operating:
  - a. Check to make sure the common wires for the relays are connected properly. (See Installation drawings for details.
  - b. Check output voltage of the respective wires and the electrical circuits.
  - c. Check the fuses inside the receiver case.
  - d. Check the receiver label to verify the function has been programmed to the needs of the equipment.
4. You are experiencing intermittent operation:
  - a. Check antenna connections and antenna location.
  - b. On AC systems, ensure noise suppression devices have been placed across the coils of all contacts.
  - c. Ensure you are inside the operating range of the receiver and have line of sight to the receiver antenna.
5. Operating Range is short:
  - a. Check all antenna connections and transmitter operation.
  - b. On new installations, verify the receiver antenna is placed properly. If necessary, use an antenna mounting kit to relocate the antenna to a more favorable location.

### Receiver Testing

LED Indication	Receiver Action
LED on continuous	Receiver operating voltage is present, no signal is being received.
LED flashes	Signal is being received that matches the decoders address.
LED goes off	Signal is being received, but address is wrong.

## 4 & 7 Function Hetric Radio Remote Troubleshooting

### Problem:

#### Transmitter will not communicate with the Receiver.

(Note: Make sure the PTO is fully engaged when troubleshooting the problem.)

1. Is the main power switch on? (Control panel located inside the cab.)
2. Is the emergency brake engaged?
3. Is the transmitter battery fully charged? (Note: When the battery is fully charged, there should be a quick beep sound from the transmitter when toggling a function. A longer or constant steady beep indicates that the battery charge is weak or going dead.)
4. Is the E-Stop switch button pulled out or engaged?

#### Check the receiver functions.

(Note: Remove the receiver cover located on the crane mast)

With the main power on, check the following functions:

#### 1. Is the yellow light flashing in the upper left hand corner of the receiver?

- a. Yes –
  - i. Check the signal functions using the transmitter toggle functions - go to step 2.
- b. No –
  - i. Check the 7.5 fuse located inside the receiver. Replace the fuse if it has blown.
  - ii. If the 7.5 fuse is ok, check the crane power fuse. (Usually located under the chassis hood near the 300 amp continuous duty solenoid.)

#### 2. Does the green light in the upper left hand corner of the receiver flash when operating a toggle switch on the transmitter?

- a. Yes –
  - i. Go to step 3.
- b. No –
  - i. Carefully remove the switch face plate housing from the transmitter and check the following areas:
    1. Check to see if a jumper spade, from the CS458 TX-RF module, is loose or laying inside the transmitter, either laying on, or beneath the coder board.
    2. Check for broken wires on the CS458 TX-RF Module. (Blue, Red, and White with blue stripes - Three wires total.
    3. Check to make sure that the E-Stop 2 Wire connector plug (Located in the upper right hand corner of the coder board) isn't loose or disconnected. (Usually a grey and white with brown stripe wire.)
    4. Check for loose, corroded, or broken wires on the toggle switches. Note: If the green light inside the receiver flashed constantly without engaging a toggle switch, the coder board has failed or a toggle switch may be weak or broken.

#### 3. Are the red LED function lights coming on when activating a toggle on the transmitter?

- a. Yes –
  - i. Go to Step 4.
- b. No –
  - i. The E-Stop switch or coder board has failed.

#### 4. All lights are working properly?

- a. Note: Radio system is functioning correctly - check the following areas:
  - i. Check for loose ground wires.
  - ii. Check for loose or broken wires on the crane valve bank wiring harness.
  - iii. Check to make sure the flow control valve on the valve bank is actuating properly, using the trigger assembly of the transmitter.
  - iv. Check the anti-2-blocking electrical circuit (Limit switch, cord reel, and pressure switch - if applicable) for proper operation.
- b. If problem cannot be determined, contact customer service at Stellar Industries.



## Limited Warranty Statement

Stellar Industries, Inc. (Stellar) warrants products designed and manufactured by Stellar to be free from defects in material and workmanship under proper use and maintenance. Products must be installed and operated in accordance with Stellar's written instructions and capacities. The warranty period shall cover the following:

Twelve (12) month warranty on parts from the date recorded by Stellar as the in-service date, not to extend beyond twenty-four (24) months from date of manufacture,

Twelve (12) month repair labor from the date recorded by Stellar as the in-service date, not to extend beyond twenty-four (24) month from date of manufacture, and

Thirty-six (36) month warranty on all Stellar Crane, Hooklift Hoist, Cable Hoist, and Container Carrier structural parts from the date recorded by Stellar as the in-service date, not to extend beyond forty-eight (48) months from date of manufacture.

The in-service date will be derived from the completed warranty registration card. In the event a warranty registration card is not received by Stellar, the factory ship date will be used.

Stellar's obligation under this warranty is limited to, and the sole remedy for any such defect shall be, the repair and/or replacement (at Stellar's option) of the unaltered part and/or component in question. Stellar after-sales service personnel must be notified by telephone, fax, or letter of any warranty-applicable damage within fourteen (14) days of its occurrence. If at all possible, Stellar will ship the replacement part within 24-hours of notification by the most economical, yet expedient, means possible. Expedited freight delivery will be at the expense of the owner.

Warranty claims must be submitted and shall be processed in accordance with Stellar's established warranty claim procedure. Stellar after-sales service personnel must be contacted prior to any warranty claim. A return materials authorization (RMA) account number must be issued to the claiming party prior to the return of any warranty parts. Parts returned without prior authorization will not be recognized for warranty consideration. All damaged parts must be returned to Stellar freight prepaid; freight collect returns will be refused. Freight reimbursement of returned parts will be considered as part of the warranty claim.

Warranty service will be performed by any Stellar new equipment distributor, or by any Stellar-recognized service center authorized to service the type of product involved, or by the Stellar factory in the event of a direct sale. At the time of requesting warranty service, the owner must present evidence of date of delivery of the product. The owner shall be obligated to pay for any overtime labor requested of the servicing company by the owner, any field service call charges, and any towing and/or transportation charges associated with moving the equipment to the designated repair/service provider.

All obligations of Stellar and its authorized dealers and service providers shall be voided if someone other than an authorized Stellar dealer provides other than routine maintenance service without prior written approval from Stellar. In the case repair work is performed on a Stellar-manufactured product, original Stellar parts must be used to keep the warranty in force. The warranty may also be voided if the product is modified or altered in any way not approved, in writing, by Stellar.

The owner/operator is responsible for furnishing proof of the date of original purchase of the Stellar product in question. Warranty registration is the ultimate responsibility of the owner and may be accomplished by the completion and return of the Stellar product registration card provided with the product. If the owner is not sure of registration, he is encouraged to contact Stellar at the address below to confirm registration of the product in question. This warranty covers only defective material and workmanship. It does not cover depreciation or damage caused by normal wear and tear, accident, mishap, untrained operators, or improper or unintended use. The owner has the obligation of performing routine care and maintenance duties as stated in Stellar's written instructions, recommendations, and specifications. Any damage resulting from owner/operator failure to perform such duties shall void the coverage of this warranty. The owner will pay the cost of labor and supplies associated with routine maintenance.

The only remedies the owner has in connection with the breach or performance of any warranty on the Stellar product specified are those set above. In no event will Stellar, the Stellar distributor/dealer, or any company affiliated with Stellar be liable for business interruptions, costs of delay, or for any special, indirect, incidental, or consequential costs or damages. Such costs may include, but are not limited to, loss of time, loss of revenue, loss of use, wages, salaries, commissions, lodging, meals, towing, hydraulic fluid, or any other incidental cost.

All products purchased by Stellar from outside vendors shall be covered by the warranty offered by that respective manufacturer only. Stellar does not participate in, or obligate itself to, any such warranty.

Stellar reserves the right to make changes in design or improvement upon its products without imposing upon itself the same upon its products theretofore manufactured.

This warranty will apply to all Stellar Hooklift Hoists, Stellar Cable Hoists, Stellar Container Carriers, Stellar Service Trucks, Stellar Truck-mounted Cranes, and Stellar Compactors shipped from Stellar's factory after March 1, 2008. The warranty is for the use of the original owner only and is not transferable without prior written permission from Stellar.

THIS WARRANTY IS EXPRESSLY IN LIEU OF ANY OTHER WARRANTIES, EXPRESS OR IMPLIED, INCLUDING ANY WARRANTY OF MERCHANTABILITY OR FITNESS FOR A PARTICULAR PURPOSE. REMEDIES UNDER THIS WARRANTY ARE LIMITED TO THE PROVISION OF MATERIAL AND SERVICES, AS SPECIFIED HEREIN. STELLAR INDUSTRIES, INC. IS NOT RESPONSIBLE FOR INCIDENTAL OR CONSEQUENTIAL DAMAGES.

Revision Date: July 2008

Document Number: 37040