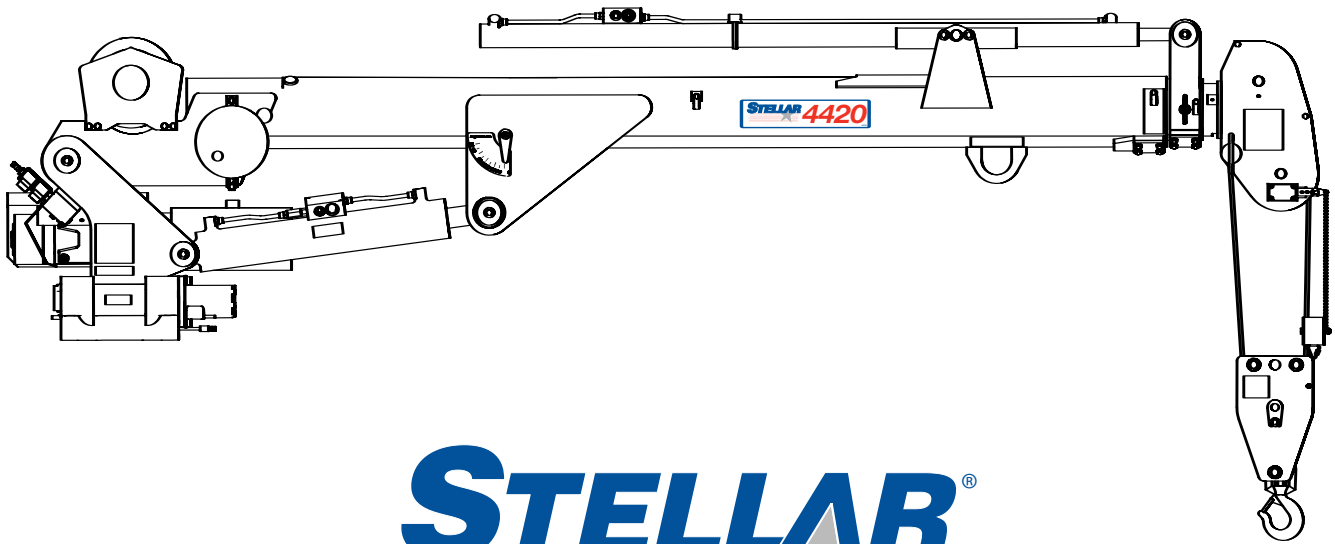


OWNER'S MANUAL

Safety, Installation, Maintenance, and Operation

4420 Telescopic Crane



Stellar Industries, Inc.
190 State Street
PO Box 169
Garner, IA 50438
800-321-3741
Fax: 641-923-2811
www.stellarindustries.com

4420 Manual Revisions

Date of Revision	Section Revised	Description of Revision
September 9, 2006	Chapter 7: Assembly Drawings	Updated Cable and Hook assembly drawings to reflect engineering changes.
November 7, 2006	Chapter 7: Assembly Drawings Chapter 8: Hydraulics-Electrical	Updated Base assembly drawings and Hydraulic schematics to reflect engineering changes
April 12, 2007	Chapter 2: Operation Chapter 5: Decals Chapter 8: Hydraulics-Electrical Chapter 10: Troubleshooting	Updated Operation to reflect new 5-Function Hetric Remote. Updated decal kit drawing. Updated Control Kit Assembly to reflect the new 5-Function Hetric Remote. Added the Hetric Troubleshooting section.
June 25, 2007	Chapter 7: Assembly Drawings	Updated Main Cylinder assembly drawings to reflect engineering changes.

Table of Contents

<i>Introduction</i>	<i>.ii</i>
Chapter 1 - Safety	1
Chapter 2 - Operation	3
Crane Controls	3
5 Function Hetrionic Remote	4
Manual Operation	5
Operator Information	6
Chapter 3 - Maintenance	7
Lubrication Recommendations	9
Wire Rope Maintenance	10
Torque Data Chart	11
Inspection Checklist	12
Daily Inspection	13
Monthly Inspection	14
Quarterly Inspection	15
Annual Inspection	17
Inspection Notes	18
Chapter 4 - Specifications	19
Capacity Chart - Decal PN 24701	20
Chapter 5 - Decals	21
Decals of Note	21
Decal Kit Placement - PN 24332	26
Chapter 6 - Installation	27
Installation Overview	28
Installation Details	29
Stability Procedure	31
Stability Capacity Chart	32
Chapter 7 - Assembly Drawings	33
Base Assembly - PN 19998	33
Mast Assembly - PN 19999	34
Power Unit Assembly (Electric Version Only) - PN 20432	35
Main Boom Assembly - PN 24568	36
Extension Boom Assembly - PN 24570	37
Main Cylinder Assembly - PN 25160	38
Extension Cylinder Assembly - PN 25881	39
Cable & Hook Assembly - PN 38203	40
Chapter 8 - Hydraulics - Electrical	41
Control Kit (Electrical Version) - PN 20435	41
Control Kit (Hydraulic Version) - PN 24331	42
Control Kit (Radio Version) - PN 41051	43
Hydraulic Kit (Electrical Version) - PN 25882	44
Hydraulic Kit (Hydraulic Version) - PN 25885	45
Valve Bank - PN 24957	46
Hydraulic Installation	47
Hydraulic System	48
Chapter 9 - Replacement Parts	49
Chapter 10 - Troubleshooting	51
5 Function Hetrionic Radio Remote Troubleshooting	53
Transmitter Troubleshooting	54
Receiver Troubleshooting	54
<i>Warranty Information</i>	<i>.55</i>

Introduction

Stellar Cranes are designed to provide safe and dependable service for a variety of operations. With proper use and maintenance, these cranes will operate at peak performance for many years.

To promote this longevity, carefully study the information contained in this manual before putting the equipment into service. Though it is not intended to be a training manual for beginners, this manual should provide solid guidelines for the safe and proper usage of the crane.

Once you feel comfortable with the material contained in this manual, strive to exercise your knowledge as you safely operate and maintain the crane. This process is vital to the proper use of the unit.

A few notes on this manual:

A copy of this manual is provided with every crane and shall remain with the crane at all times. Information contained within this manual does not cover all maintenance, operating, or repair instructions pertinent to all possible situations.

Please be aware that some sections of this manual contain information pertaining to

Stellar manufactured cranes in general and may or may not apply to your specific model.

This manual is not binding. Stellar Industries, Inc. reserves the right to change, at any time, any or all of the items, components, and parts deemed necessary for product improvement or commercial/production purposes. This right is kept with no requirement or obligation for immediate mandatory updating of this manual.

In closing:

If more information is required or technical assistance is needed, or if you feel that any part of this manual is unclear or incorrect, please contact the Stellar Customer Service Department by phone at 800-321-3741 or email at service@stellarindustries.com.

ATTENTION
Failure to adhere to the instructions could result in property damage or even serious bodily injury to the operator or others close to the crane.

**For Technical Questions, Information, Parts, or Warranty, Call Toll-Free at
800-321-3741**

Hours: Monday - Friday, 8:00 a.m. - 5:00 p.m. CST

Or email at the following addresses:

Technical Questions, and Information

service@stellarindustries.com

Order Parts

parts@stellarindustries.com

Warranty Information

warranty@stellarindustries.com

Chapter 1 - Safety

Please Read the Following Carefully! This portion of the manual contains information regarding all Stellar manufactured cranes. Some items contained within this chapter may not apply to your specific equipment.

Safety should be the number one thought on every operator's mind. Three factors should exist for safe operation: a qualified operator, well-maintained equipment, and the proper use of this equipment. The following information should be read and understood completely by everyone working with or near the crane before putting the unit into operation.

Please take note that Stellar Industries, Inc. is not liable for accidents incurred by the crane because of non-fulfillment from the operator's side of current rules, laws, and regulations.

GENERAL

It is the responsibility of the owner to instruct the operator in the safe operation of your equipment and to provide the operator with properly maintained equipment.

Trainees or untrained persons shall be under the direct supervision of qualified persons.

Do not operate equipment under the adverse influence of alcohol, drugs, or medication.

PERSONAL SAFETY

Keep clear of all moving parts.

Always wear the prescribed personal safety devices.

Always wear approved accident-prevention clothing such as: protective helmets, anti-slip shoes with steel toes, protective gloves, anti-noise headphones, protective glasses, and reflective jackets with breathing apparatus. Consult your employer regarding current safety regulations and accident-prevention equipment.

Do not wear rings, wristwatch, jewelry, loose-fitting or hanging clothing such as ties, torn garments, scarves, unbuttoned jackets or unzipped overalls, which could get caught up in the moving parts of the crane.

Keep a first-aid box and a fire extinguisher readily available on the truck. Regularly check to make sure the fire extinguisher is fully charged and the first-aid kit is stocked.

Do not use controls and hoses as handholds. These parts move and cannot provide stable support.

Never allow anyone to ride the crane hook or load.

MAINTENANCE SAFETY

Never modify or alter any of the equipment, whether mechanical, electrical, or hydraulic, without explicit approval from Stellar Industries.

Do not perform any maintenance or repair work on the crane unless authorized and trained to do so.

Release system pressure before attempting to make any adjustments or repairs.

Do not attempt service or repair when the PTO is engaged.

Failure to correctly plumb and wire the crane can cause a malfunction and damage to the crane and/or operator.

Decals are considered safety equipment. They must be maintained, as would other safety devices. Do not remove any Decals. Replace any Decals that are missing, damaged, or not legible.

The safety instruction plates, notices, load charts and any other sticker applied to the crane or service body must be kept legible and in good condition. If necessary, replace them.

STABILITY

Know the crane components and their capabilities and limitations. Overloading the crane may result in serious injury to self and others, and damage to the equipment and immediate surroundings.

Never exceed manufacturer's load ratings. These ratings are based on the machine's hydraulic, mechanical, and structural design rather than stability.

The supporting surface under the service truck must be able to support the weight of the machine and its load. Use outrigger pads if necessary.

Park the vehicle on level ground and extend the outriggers fully out and then down.

Keep feet and legs clear when lowering outrigger jacks.

Never operate the crane without making sure the outriggers are positioned on stable, flat ground.

Set the parking brake and disengage the drive axle before attempting a lift.

LOAD SAFETY

Operate the crane in compliance with the load capacity chart at all times. Know the weight of the load being lifted. Do not rely on the overload device to determine maximum rated loads. If the crane is picking more than the maximum rated load, the overload protection device may be malfunctioning. Discontinue use immediately and contact Stellar Customer Service for support.

Never use a sling bar or anything larger than the hook throat that could prevent the hook latch from closing. This would negate the safety feature.

Do not apply side loads to the booms.

Do not leave a crane load suspended or unattended.

Do not walk under suspended loads.

Do not position any load over a person nor should any person be permitted to place him or herself under a load.

Do not use the boom or the winch to drag a load.

Do not use the crane boom to push downward onto anything.

ELECTROCUTION

Allow extra space for swaying power lines in windy conditions.

Keep a minimum of ten feet between any portion of the crane and an electrical line. Add an additional 12" for every additional 30,000 Volts or less.

Remember - Death or serious injury can occur when working near power lines or during electrical storms.

Use a signal person when operating near electrical sources.

ENVIRONMENT

Do not operate the crane during electrical storms.

In extreme cold, allow adequate time to warm the truck before engaging the PTO. Do not rev the truck engine and over speed the hydraulic pumps as permanent damage to the pumps may occur. Follow the vehicle owner's manual regarding operating the vehicle in such adverse conditions.

In dusty work areas, every effort must be taken to keep dust and sand out of the moving parts of the machinery.

In high humidity work areas, keep parts as dry as possible and well lubricated.

Chapter 2 - Operation

This chapter contains information regarding the operation of Stellar manufactured telescopic cranes. Please study the following pages to ensure your familiarity with the operation process. This understanding is vital to the safe and efficient operation of the crane.

Job-Site Set-Up

Thoroughly plan the lift before positioning the vehicle. Consider the following:

1. The vehicle should be positioned in an area free from overhead obstructions to eliminate the need for repositioning.
2. Position the vehicle so that it is impossible for any portion of the equipment to come within the minimum required safe distance of any power line. Maintain a clearance of at least 10 feet between any part of the crane, load line, or load, and any electrical line or apparatus carrying up to 50,000 volts. One foot additional clearance is required for every additional 30,000 volts or less. Remember to allow for winds that cause power lines to sway. It is recommended that a signal person be used when the vehicle is set-up near power lines.
3. The vehicle should also be positioned on a firm and level surface that will provide adequate support for the outrigger loading. Use extreme caution when setting up near overhanging banks or excavations.
4. The parking brake must be set on the vehicle and the drive axle disengaged before performing a crane operation.
5. The outriggers must be extended to stabilize the truck before beginning operation.

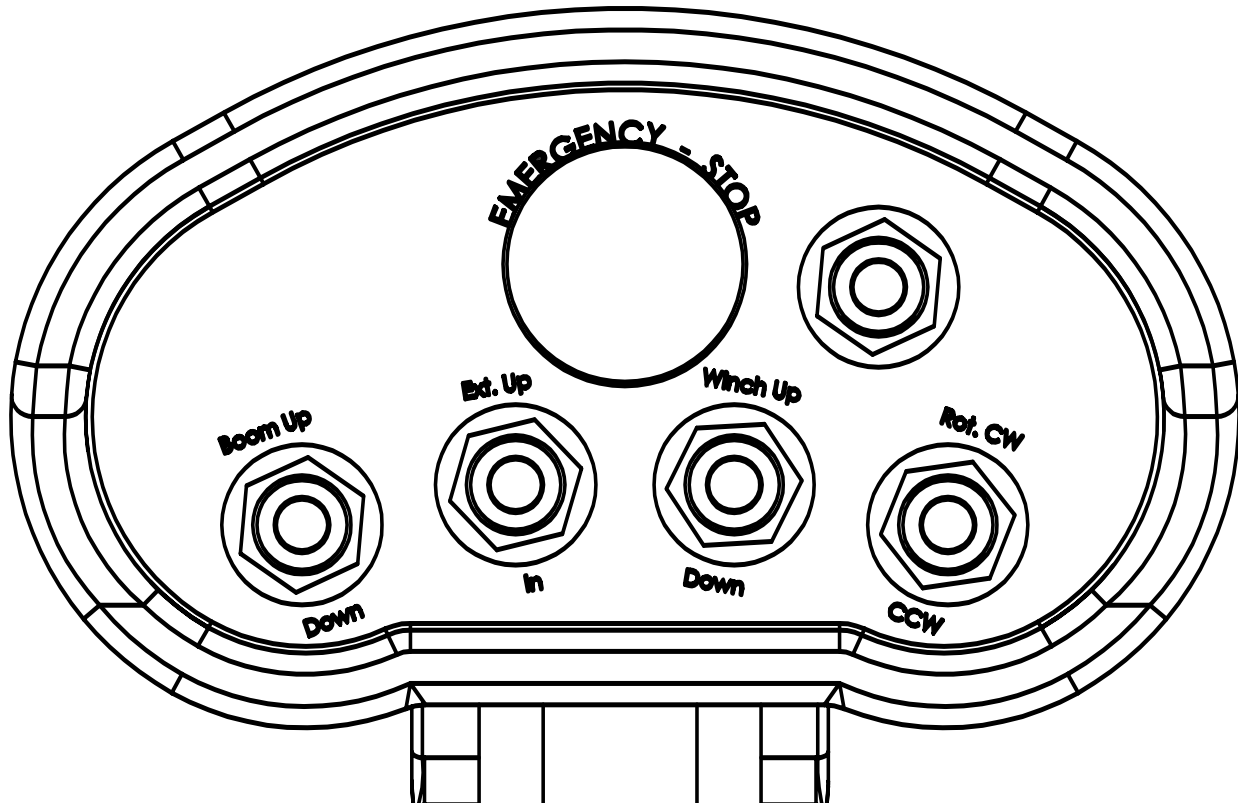
Crane Controls

1. Be familiar with the sequence and operation of the crane controls.
2. Each individual crane function should have control function decals. Replace them immediately if they are missing or illegible.
3. Keep hands, feet, and control levers free from mud, grease, and oil.
4. Be familiar with the remote control and how it operates before attempting to lift a load.
5. Be prepared before beginning operation of the crane:
 - All protective guards must be in place.
 - Be aware of the surroundings: low branches, power lines, unstable ground.
 - Be sure all safety devices provided are in place and in good operating condition.
 - Be prepared for all situations. Keep fire extinguisher and first aid kit near.
 - Be sure all regular maintenance has been performed.
 - Visually inspect all aspects of the crane for physical damage.
 - Check for fluid leaks.
 - Make sure the outriggers are down and stable.

ATTENTION

Stellar Industries, Inc. is not liable for accidents incurred by the crane because of the operator's non-fulfillment of current rules, laws and regulations.

5 Function Hetronic Remote



1. Engage the PTO

- Engage the parking brake.
- Place the transmission in the Neutral position.
- Make certain the PTO switch is in the 'off' position.
- Start the vehicle engine.
- Depress the clutch on manual transmission vehicles.
- Engage the PTO switch for cable and air type shifters. Turn on the dash switch for electrical operated style. Consult vehicle owner's manual for location and operation of OEM style in-dash PTO switch.
- Slowly release the clutch on a manual transmission vehicle.
- Allow a few moments to warm the hydraulic system oil. In cold weather, it is especially important to let the system run for a few minutes before operating.



PTO Switch

2. Turn on Power to Crane

Activate power to the crane and outriggers. The power switch is located on the control panel in the vehicle cab.

3. Position Outriggers

Once the PTO is engaged, extend the outriggers using the control levers or switches marked 'outrigger'. These may be located on the crane base or in the compartment under the crane.

4. Operate Crane

- Turn on necessary power to the crane.
- Activate toggle switch for desired crane function.
- When operation is complete, store remote handle in a safe, dry location.

5. Store Outriggers

Retract outriggers using the control levers or switches marked 'outrigger'.

6. Turn Off Power to Crane

Deactivate power to crane and outriggers.

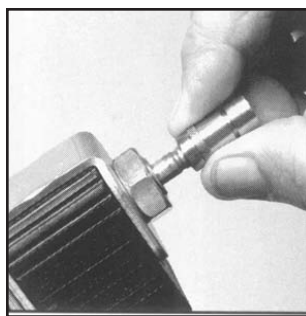
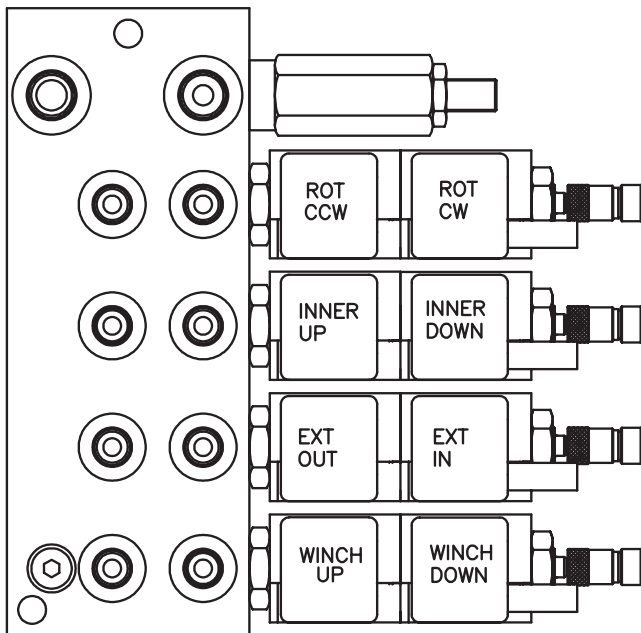
7. Disengage the PTO

- On manual transmission vehicles, depress the clutch pedal completely.
- Disengage the PTO switch.
- If vehicle is a manual transmission, release the clutch pedal gradually.

Manual Operation

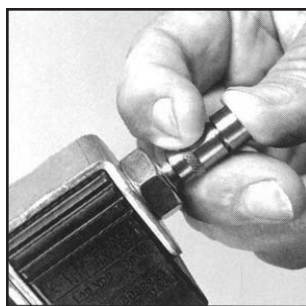
If the remote control malfunctions, follow these steps to operate the crane manually:

- 1. Operate Solenoids.** Slide the knurled sleeve out and then push or pull to operate, as shown below. Be sure the sleeve is in the center, locked, position before returning to remote operation.
- 2. Have unit serviced immediately to restore remote control functionality.**



Manual Override Pull Function

The knurled sleeve is pulled all the way out together with the knob to manually override the pull solenoid function.



Manual Override Push Function

The knurled sleeve should first be pulled to unlatch the ball latching mechanism and then, while holding the sleeve back, the override knob should be pushed all the way in to override the push solenoid.

Crane Precautions

1. Movement of the control levers should be slow and smooth to meter oil flow for safe operation. Avoid jerky and sudden movements.
2. The crane controls should be clearly marked with decals. If these are missing or illegible, replace immediately. (See Chapter 5: Decals)
3. Lift load slightly off the ground to check the safety of the cargo. Do not use stability to determine the safety. Consult the capacity charts and strictly adhere to them.
4. Be constantly aware of the boom position when operating the controls.
5. The boom tip should be centered directly over the load before making the lift to avoid swinging.
6. Do not drag loads with the crane.
7. Do not attempt to lift fixed loads.
8. Do not load boom in a sideways direction.
9. Know the weight of the rigging and load to avoid overloading the crane.
10. Do not extend or rotate a load over anyone.
11. Wear protective gear such as hard hat, safety glasses, steel-toed boots, and gloves.

Hook Precautions

1. Hooks are designed and manufactured to lift specific loads. The specified rated load of a hook applies to loads held uniformly in direct tension and does not take into account shock loads, hook tip loading, side loading, bending, torsional, or related loads.
2. Do not attempt to lift a load that is larger than the load rating of the hook.
3. Never use a hook's yield point as an indicator of its capacity.
4. Do not use a hook to lift personnel.
5. Know the rated load of the hook in use.
6. Never weld attachments to a finished hook in field applications. This will alter and destroy the design properties of the hook material.
7. Keep fingers, hands, body, and loose clothing from between the hook and the load.
8. Avoid shock loading.
9. Inspect the hook regularly for excessive wear and maintain it in safe operating condition.

Operator Information

OPERATOR REQUIREMENTS

- 1. Operation is limited to the following people:**
 - A. Designated individual.
 - B. Trainees under direct supervision of the designated individual.
 - C. Test or maintenance individual.
 - D. Crane Inspector.

- 2. Operators must meet the following physical qualifications:**
 - A. Vision of at least 20/30 Snellen in one eye and 20/50 in the other, with or without corrective lenses.
 - B. Ability to distinguish colors if color differentiation is required.
 - C. Adequate hearing, with or without a hearing aid.
 - D. No physical or emotional defects that may create a hazard to the operator or others.
 - E. Normal depth perception and coordination.

- 3. In addition to the physical qualifications, Operators must:**
 - A. Demonstrate the ability to understand all decals, the owner's manual, and any other information required for safe operation of the crane.
 - B. Be able to demonstrate the ability to safely control the crane.
 - C. Know all safety regulations.
 - D. Be responsible for maintenance requirements.
 - E. Understand and be fully capable of implementing all emergency procedures.
 - F. Understand the operating procedures as outlined by this manual, ANSI B30.5, and Federal/State Laws.

OPERATOR CONDUCT

1. Operators will not engage in any operation that would cause them to divert attention away from the operation of the crane.
2. Operators are responsible for all operations under their direct control.
3. Operators will not leave a suspended load unattended.
4. Operators will be familiar with the equipment and the maintenance required for proper care.

HANDLING THE LOAD

- 1. Size of the load:**
 - A. Do not load the crane beyond the rated capacity.
 - B. It is the responsibility of the operator to know the weight of the handled load.

- 2. Attaching the load:**
 - A. Attach the load to the hook by means of slings or other approved devices.
 - B. Do not wrap the hoist rope around the load.

- 3. Moving the load:**
 - A. Make certain that the crane is level and properly blocked.
 - B. Ensure that the load is secure and balanced within the sling before moving it.
 - C. Be sure that the crane is stable before moving the load. Use stabilizer pads to ensure the proper distribution of weight.
 - D. Do not drag the load sideways.
 - E. Make sure the hook is brought over the load to minimize swinging.
 - F. No suspended load should pass over a person.
 - G. Avoid sudden starts and stops when moving a load.

Chapter 3 - Maintenance

WARNING - Read the Following before performing any maintenance on the crane.

1. Only authorized service personnel are to perform maintenance on the crane.
2. Disengage the PTO before any service or repair is performed.
3. Do not disconnect hydraulic hoses while there is still pressure in those components.
4. Before disconnecting hydraulic components, place the boom on the ground or have it supported, shut off the engine, release any air pressure on the hydraulic reservoir, and move pedals and control levers repeatedly through their operating positions to relieve all pressures.
5. Keep the crane and service body clean and free from grease build-up, oil and dirt to prevent slippery conditions.
6. Perform all safety and maintenance checks before each period of use.
7. Replace parts with Stellar Industries, Inc. approved parts only.
8. Immediately repair or have repaired any components found to be inadequate.

Maintenance Procedures

1. Position the crane where it will be out of the way of other operations or vehicles in the area.
2. Be sure boom is lowered to the ground or otherwise secured from dropping.
3. Place all controls in the off position and secure operating features from inadvertent motion.
4. Disconnect power source.
5. Relieve hydraulic oil pressure from all hydraulic circuits before loosening or removing hydraulic components.
6. Label or tag parts when disassembling.

Daily Inspection

Daily Inspection should occur each day before the crane is put into use. Each day, inspect the crane for all of the following:

1. Hydraulic oil level.
2. Loose parts or damage to structures or weld.
3. Cylinder movement due to leakage.
4. Hoses and gearboxes for evidence of oil leaks.
5. Controls, including hand throttle for malfunction or adjustment.
6. Truck hand brake operation.
7. All securing hardware such as cotter pins, snap rings, hairpins, and pin keepers for proper installation.
8. All safety covers for proper installation.
9. Cylinder holding valves for proper operation.
10. Wire rope for broken wires, extensive wear, distortion, and heat damage.

Periodic Inspection

Periodic Inspection should occur while the crane is in use. For the duration of the usage, inspect the crane for all of the following:

1. Loose bolts and fasteners.
2. All pins, bearings, shafts, and gears for wear, cracks, or distortion to include all pivots, outriggers, sheave pins, and bearings.
3. Hydraulic systems for proper operating pressure.
4. Main frame mount bolts.
5. Cylinders for:
 - A. Damaged rods.
 - B. Dented barrels.
 - C. Drift from oil leaking internally.
 - D. Leaks at rod seals or holding valves.
6. PTO drive line system for proper alignment, lubrication, and tightness.
7. Hydraulic hose and tubing for evidence of damage such as blistering, crushing, or abrasion.

Weekly Inspection

Weekly Inspection should occur at the beginning of every work week. Each week, inspect the crane for all of the following:

1. Lubrication of points required by lubrication chart located in this chapter.
2. Proper operation of load hook safety latch.
3. Presence of this owner's manual.

Monthly Inspection

Monthly Inspection should occur at the beginning of every work month. Each month, inspect the crane for all of the following:

1. Frame bolt tightness - turn barrel nuts and mounting bolts during the first month of operation on new machines and then quarterly thereafter.
2. Cylinders and valves for leaks.
3. Lubrication.
4. Load hook for cracks or having more than 15 percent normal throat opening or 10 degrees twist.
5. Structural members for bends, cracks, or broken members.
6. All welds for breaks and cracks.
7. All pins and keepers for proper installation.
8. All control, safety, and capacity placards for readability and secure attachment.
9. Inspect all electrical wires and connections for worn, cut, or deteriorated insulation and bare wire. Replace or repair wires as required.
10. Tightness of all boom wear, pad-retaining bolts.

Stellar Industries recommends the first filter change to occur after the first 250 hours of service.* The second, and every subsequent change, should occur after every 1,000 hours of service. By following these guidelines, the hydraulic oil should last up to 6,500 hours.

*Note: These recommendations are based on normal working parameters. If operating in less than favorable conditions (excessive dust, moisture, etc.), be sure to check the filter gauge often for filter change notice.

Service

The following general suggestions should be helpful in analyzing and servicing your crane. Using the following systematic approach should be helpful in finding and fixing problems:

1. Determine the problem.
2. List and record possible causes.
3. Devise checks.
4. Conduct checks in a logical order to determine the cause.
5. Consider the remaining service life of components against the cost of parts and labor necessary to replace them.
6. Make the necessary repair.
7. Recheck to ensure that nothing has been overlooked.
8. Functionally test the new part in its system.

Inspection Checklist

For a more detailed outline of scheduled inspection points, refer to the Stellar Inspection Checklist at the end of this chapter. This list is an excellent guide for the inspection tasks that will help maintain the quality of your Stellar product. Feel free to photocopy the checklist as needed.

ATTENTION

Every six (6) months, remove the hydraulic pump from the PTO and lubricate the splines using Chelsea Lubricant #379831 or Stellar PN 20885. Failure to lubricate shaft splines will cause damage to the PTO and Hydraulic pump.

Lubrication Recommendations

Component	Location	Recommendation
Engine	Crankcase	Apply Manufacturer's Recommendations
Hydraulic System Below -5°F -5°F to 90°F Above 90°F	Reservoir	Petro-Canada Arctic MV 15 (ISO 22) Petro-Canada HYDREX 32 (ISO 32) Petro-Canada HYDREX 46 (ISO 46)
Open Gears	Hand	Precision XL3 Moly EP 2 (NLGI 2 grease with moly)
Bearings, grease (including turntable bearing inner race)	Gun	Precision XL EP 2 (NLGI 2)
Worm Drive Gearbox	Gearbox	Precision Synthetic EP 00 (NLGI 00)
Planetary Gearbox (including winch)	Gearbox	Traxon Synthetic 75W-90 (API GL-5)
Wear Pad Lubrication	Spray	Gearshield NC
Compressor Fluids		
Reciprocating Single Stage Reciprocating Double Stage	Crankcase Crankcase	Compro 100 (ISO 100) Compro 100 (ISO 100)
Screw -15°F to 86°F -23°F to 100°F 32°F to 113°F	Crankcase	Compro XL-S 32 (ISO 32) Compro XL-S 46 (ISO 46) Compro XL-S 68 (ISO 68)

Greasing the Crane

Lubricate all grease gun points with
Extreme Pressure Grease - Stellar P/N: 22059.

Wire Rope Maintenance

Wire Rope Inspection Points

While inspection of the entire rope is required, attention should be directed to these critical points:

1. **Pick-up Points** for signs of wear due to stress from repeated lifts.
2. **End Attachments** for corrosion and broken wires at both ends of the rope.
3. **Drums** for signs of corrugation and wear that may lead to wire damage.
4. **Sheaves** to ensure that each sheave has the proper groove size and contour.
5. **Abuse Points** for heavy amounts of scuffing and scraping.

It is important to perform detailed inspections of all ropes associated with the crane. These inspections can be divided into two types:

1. Frequent Inspection

- A. All running ropes should be inspected once each working day. These visual observations will be concerned with discovering damage that may be an immediate hazard. The following concerns should be addressed:
 1. Distortion of the rope.
 2. General corrosion.
 3. Broken or cut strands.
- B. Use caution while inspecting sections of rapid deterioration.
- C. Use caution while inspecting boom hoist ropes. Proper inspection is critical but difficult.

2. Periodic Inspection

- A. Inspection frequency will be determined by a qualified person and will be based on such factors as expected rope life, environment conditions, capacity of typical lifts, rates of usage, and exposure to shock loads. Periodic inspection needs to be performed at least annually.
- B. Periodic inspections will be performed by a qualified individual and will cover the entire length of the rope. Only the

surface wires of the rope need to be inspected. This inspection will be concerned with discovering damage that may be an immediate hazard. The following concerns should be addressed:

1. Distortion of the rope.
 2. General corrosion.
 3. Broken or cut strands.
 4. Reduction of rope diameter.
 5. Corroded or broken wires at end connections.
 6. Corroded, cracked, bent, worn, or improperly applied end connections.
- C. Use caution when inspecting the following:
1. Sections in contact with saddles, equalizer sheaves, or other sheaves where rope travel is limited.
 2. Sections of the rope at or near ends with corroded or broken wires.

Wire Rope Replacement

Rope replacement guidelines are as follows:

1. Broken wires, including standing ropes with more than two broken wires in one lay or more than one broken wire at an end connection.
2. Wear of one-third the original diameter of the outside wires.
3. Distortion of the rope structure.
4. Evidence of heat damage.
5. Reductions from nominal diameters of more than 1/64 in. (0.4 mm) for diameters from 5/16 in. (19.0 mm) and 1/32 in. (0.8 mm) for diameters from 3/8 in. (9.5 mm) to and including 1/2 in. (13.0 mm).

Wire Rope Maintenance

Proper maintenance is key in ensuring a long lasting rope. These three tips will help:

1. Store the rope to prevent damage.
2. Avoid objects that may scrape, bend, or crush the wires of the rope.
3. Always keep the rope well-lubricated.

Holding Valve Inspection Procedure

The cylinders are equipped with holding valves that prevent sudden movement of the cylinder rods in the event of a hydraulic hose or hydraulic component failure. The valve is checked in the following manner:

1. Identify the cylinder in question.
2. Identify the holding valves and the cylinder direction in question.
 - a. Cylinder Extend.
 - b. Cylinder Retract.
3. Place the machine so that the cylinder will be located in the appropriate testing position.
4. Pick the load (Do not exceed capacity, rated or stability).
5. Disengage hydraulics.
6. Operate crane functions.
 - A. If the cylinder creeps (lowering the load), replace the holding valve.
 - B. If the cylinder does not creep (load stays suspended), the valve is operational.

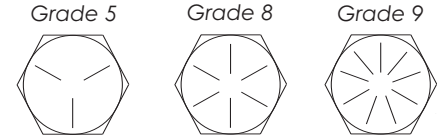
Gear-Bearing Bolt Maintenance

Anytime a gear-bearing bolt is removed, it must be replaced with a new bolt of the identical grade and size. Once a bolt has been torqued to 75% of its proof load and then removed, the torque coefficient may no longer be the same as when the bolt was new thus giving indeterminate damp loads after torquing.

Warning!

Failure to replace gear-bearing bolts may result in bolt failure due to metal fatigue causing serious injury or even death.

Torque Data Chart



Size (DIA-TPI)	Bolt DIA (Inches)	Plain (Ft-Lb)	Plated (Ft-Lb)	Plain (Ft-Lb)	Plated (Ft-Lb)	Plated (Ft-Lb)
5/16-18	0.3125	17	13	25	18	22
3/8-16	0.3750	31	23	44	33	39
7/16-14	0.4375	49	37	70	52	63
1/2-13	0.5000	75	57	105	80	96
9/16-12	0.5625	110	82	155	115	139
5/8-11	0.6250	150	115	220	160	192
3/4-10	0.7500	265	200	375	280	340
7/8-9	0.8750	395	295	605	455	549
1-8	1.000	590	445	910	680	823
1 1/8-7	1.1250	795	595	1290	965	1167
1 1/4-7	1.2500	1120	840	1815	1360	1646
1 3/8-6	1.3750	1470	110	2380	1780	2158
1 1/2-6	1.500	1950	1460	3160	2370	2865

When using the torque data in the charts above, the following rules should be observed.

1. Bolt manufacturer's particular specifications should be consulted when provided.
2. Flat washers of equal strength must be used.
3. All torque measurements are given in foot-pounds. To convert to inch-pounds, multiply by 12.
4. Torque values specified are for bolts with residual oils or no special lubricants applied. If special lubricants of high stress ability, such as Never-Seez compound graphite and oil, molybdenum disulphite, colloidal copper or white lead are applied, multiply the torque values in the charts by the factor .90. The use of Loctite does not affect the torque values listed above.
5. Torque values for socket-head capscrews are the same as for Grade 8 capscrews.

Inspection Checklist

Use of this checklist is subject to terms of the Stellar Warranty information. Additional copies of this checklist can be obtained by contacting Stellar Customer Service at (800) 321-3741.

Type of Inspection (check one)

Daily (if deficiency found) Quarterly

Monthly Annual

Owner/Company: _____

Contact Person: _____

Crane Make/Model: _____

Crane Serial: _____

Date Inspected: _____

Hour Meter Reading: _____

Inspected by: (print) _____

Signature of Inspector: _____

Type of Inspection Information

Daily and monthly inspections are to be performed by a "designated" person, who has been selected by the employer or the employer's representative as being competent to perform specific duties.

Quarterly and annual inspections are to be performed by a "qualified" person who, by possession of a recognized degree in an applicable field or certificate of professional standing, or who, by extensive knowledge, training and experience has successfully demonstrated the ability to solve or resolve problems related to the subject matter and work.

One hour of normal crane operation assumes 20 complete cycles per hour. If operation exceeds 20 cycles per hour, inspection frequency should be increased accordingly.

Consult the Stellar Owner's Manual for additional inspection items.

Before inspecting and operating the crane, make certain that the crane is set up away from power lines and leveled with outriggers fully extended.

Daily (D): Before each day of operation, those items with a (D) must be inspected. This inspection need not be recorded unless a deficiency is found.

Monthly (M): Monthly inspections or 100 hours of normal operation (which ever comes first) includes all daily and monthly inspection items plus items designated with a (Q). This inspection must be recorded.

Quarterly (Q): Every three months or 300 hours of normal operation (which ever comes first) includes all daily and monthly inspection items plus items designated with an (M). This inspection must be recorded.

Annual (A): Each year or 1200 hours of normal operation (which ever comes first) includes all items on this form which encompasses daily, monthly, and quarterly inspections plus those items designated by (A). this inspection must be recorded.

Daily Inspection

Frequency	Key	Inspection Description	Status
D	Decals	All load charts, safety & warning Decals, & control Decals are present and legible.	
		Check all safety devices for proper operation.	
D	Controls	Control mechanisms for proper operation of all functions, leaks, & cracks.	
D	Station	Control mechanisms for proper operation of all functions, leaks, & cracks.	
D	Hydsystem	Hydraulic system (hoses, tubes, & fittings) for leakage & proper oil level.	
D	Hook	Presence & proper operation of hook safety latches.	
D	Rope	Proper reeving of wire rope on sheaves & winch drum.	
D	Pins	Proper engagement of all connecting pins & pin retaining devices.	
D	General	Overall observation of crane for damage or missing parts, cracked welds & presence of safety covers.	
D	Operation	During operation, observe crane for abnormal performance, unusual wear. If observed, discontinue use & determine cause & severity of hazard.	
D	Remote Ctrl's	Operate remote control devices to check for proper operation.	
D	Electrical	Operate all lights, alarms, etc. to check for proper operation.	
D	Anti 2-Blocking	Operate anti 2-blocking device to check for proper operation.	
D	Operation Aid	Check presence of boom angle indicator.	
D	Operation Aid	Check overload device for proper operation.	

Monthly Inspection

Frequency	Key	Inspection Description	Status
M	Daily	All Daily Inspections.	
M	Cylinders	Visual inspection of cylinders for leakage at rod, fittings, & welds. Damage to rod & case.	
M	Valves	Holding valves for proper operation.	
M	Valves	Control valve for leaks at fittings & between sections.	
M	Valves	Control valve linkages for wear, smoothness of operation & tightness of fasteners. Relief valve for proper pressure settings.	
M	General	Bent, broken or significantly rusted/corroded parts.	
M	Electrical	Electrical systems for presence of dirt, moisture & frayed wires.	
M	Structure	All structural members for damage.	
M	Welds	All welds for breaks & cracks.	
M	Pins	All pins for proper installation & condition.	
M	Hardware	All bolts, fasteners & retaining rings for tightness, wear & corrosion.	
M	Wear Pads	Condition of wear pads.	
M	Pump & Motor	Hydraulic pumps & motors for leakage at fittings, seals & between sections. Check tightness of mounting bolts.	
M	PTO	Transmission/PTO for leakage, abnormal vibration & noise, alignment & mounting bolt torque.	
M	Hyd Fluid	Quality of hydraulic fluid and for presence of water.	
M	Hyd Lines	Hoses & tubes for leakage, abrasion damage, blistering, cracking, deterioration, fitting leakage, & secured properly.	
M	Hook	Load hook for abnormal throat distance, twist, wear, & cracks.	
M	Rope	Condition of load line.	
M	Manual	Presence of operator's manuals with the unit.	
M	Chassis	Tire wear and air pressure.	
M	Chassis	Working backup alarm.	
M	Station	Fire extinguisher at cab or machinery housing.	

Quarterly Inspection

Frequency	Key	Inspection Description	Status
Q	Daily	All daily inspections.	
Q	Monthly	All monthly inspections.	
Q	Rotation Sys	Rotation bearing for proper torque of all mounting bolts.	
Q	Hardware	Base mounting bolts for proper torque.	
Q	Structure	All structural members for deformation, cracks, & corrosion.	
		Base	
		Outrigger beams & legs	
		Mast	
		Inner boom	
		Outer boom	
		Extension(s)	
		Jib boom	
		Jib extension(s)	
		Other	
		Other	
Q	Hardware	Pins, bearings, shafts, gears, rollers, & locking devices for wear, cracks, corrosion, & distortion.	
		Inner boom pivot pin(s) & retainer(s)	
		Outer boom pivot pin(s) & retainer(s)	
		Inner boom cylinder pin(s) & retainer(s)	
		Outer boom cylinder pin(s) & retainer(s)	
		Extension cylinder pin(s) & retainer(s)	
		Jib boom pin(s) & retainer(s)	
		Jib cylinder pin(s) & retainer(s)	
		Jib extension cylinder pin(s) & retainer(s)	
		Boom tip attachments	
		Other	
		Other	

Quarterly Inspection Continued...

Frequency	Key	Inspection Description	Status
Q	Hyd Lines	Hoses, fittings, & tubing for proper routing, leakage, blistering, deformation, & excessive abrasion.	
		Pressure line(s) from pump to control valve	
		Return line(s) from control valve to reservoir	
		Suction line(s) from reservoir to pump	
		Pressure line(s) from control valve to each function	
		Load holding valve pipe(s) and hose(s)	
		Other	
Q	Pumps&Motors	Pumps and motors for loose bolts/fasteners, leaks, noise, vibration, loss of performance, heating and excess pressure.	
		Winch motor(s)	
		Rotation motor(s)	
		Other	
Q	Valves	Hydraulic valves for cracks, spool return to neutral, sticking spools, relief valve failure.	
		Main control valve	
		Load holding valve(s)	
		Outrigger or auxiliary control valve(s)	
		Other	
Q	Cylinders	Hydraulic cylinders for drifting & leakage. Rods for nicks, scores, & dents. Castor damage. Case & rod ends for damage & abnormal wear.	
		Outrigger cylinder(s)	
		Inner boom cylinder(s)	
		Outer boom cylinder(s)	
		Extension cylinder(s)	
		Rotation cylinder(s)	
		Jib lift cylinder(s)	
		Jib extension cylinder(s)	
		Other	
Q	Winch	Winch, sheaves, & drums for damage, abnormal wear, abrasion, & other irregularities.	
Q	Hyd Filter	Hydraulic filters for replacement per maintenance schedule.	

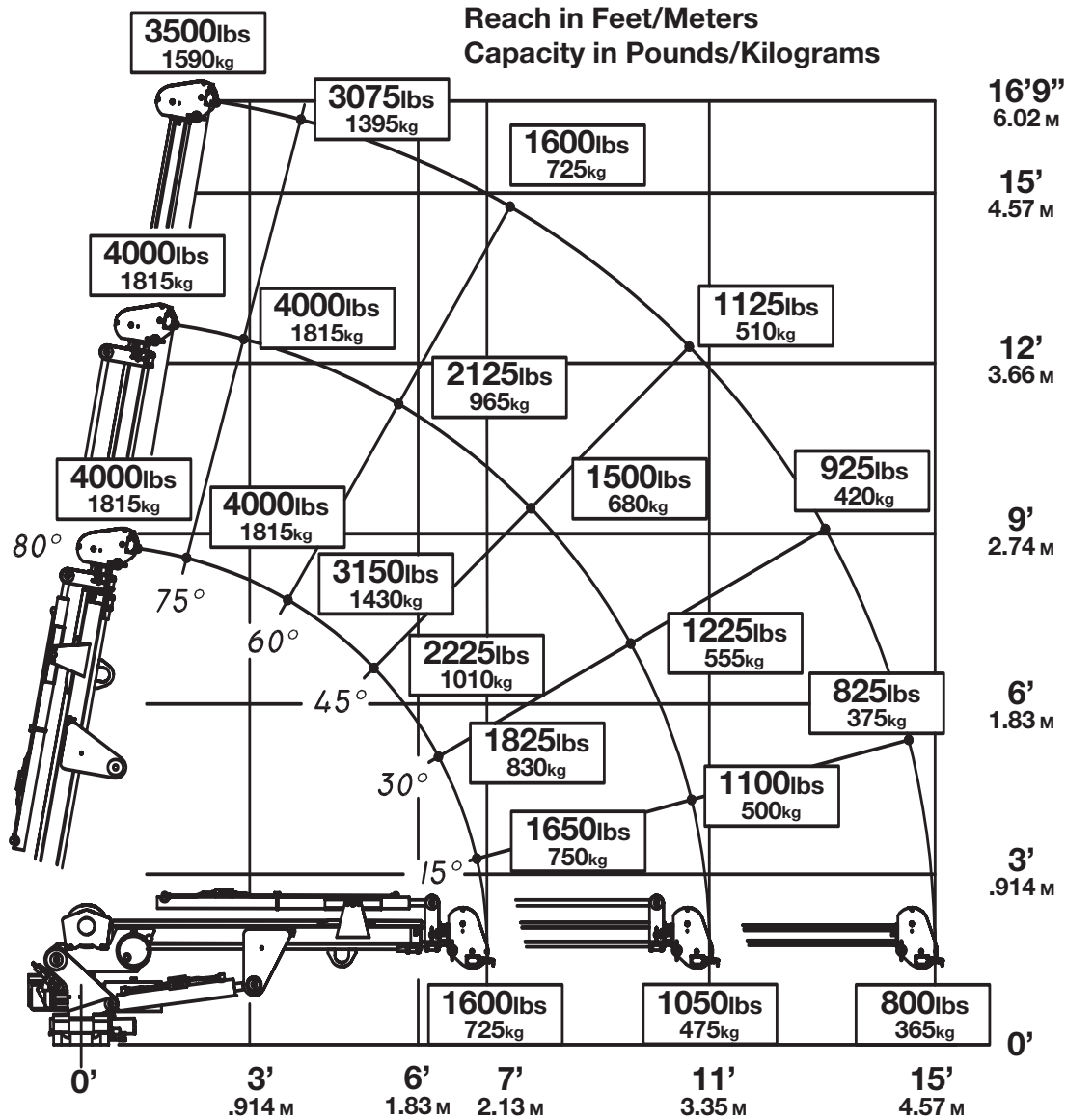
Chapter 4 - Specifications

Model 4420 Crane SPECIFICATION SHEET

Crane Rating:	16,000 ft-lbs (2.23 ton-meters)
Standard Boom Length:	10' (3.05 m) from CL of Crane
Boom Extension:	1st stage: Hydraulic 60" (152.4 cm) 2nd stage: Manual 60" (152.4 cm)
Maximum Horizontal Reach:	20' 9" (6.32 m) from CL of Crane
Maximum Vertical Lift: (from crane base)	21' 6" (6.551 m)
Boom Elevation:	-5 to +80 degrees
Stowed Height: (crane only)	33.5" (85.1 cm)
Mounting Space Required:	18" x 15" (45.7 x 38.1 cm)
Approximate Shipping Weight:	1050 lbs (475 kg)
Controls:	20' (6.1 m) cord with hand held control.
Winch Specifications	
Rope Diameter:	5/16" (.794 cm)
Line pull speed:	25 ft/min (7.62 m/min)
Max. single part line:	2000 lbs (905 kg)
Max. double part line:	4000 lbs (1815 kg)
Rotation: (worm gear)	370 degree power
Lifting Capacities:	1600 lbs @ 10' (725 kg @ 3.05 m) 800 lbs @ 20' (365 kg @ 6.1 m)
Power Supply Required:	12 volt power unit (2.0 gpm @ 2600 psi) (7.57 lpm @ 179 bars)

*Subject to change without notification

Capacity Chart - Decal PN 24701



Weight of load handling devices are part of the load lifted and must be deducted from the capacity.

Maximum 1 - part line capacity is 2000lbs (905kg). For greater loads, use 2 - part line.



PN 24701

Chapter 5 - Decals

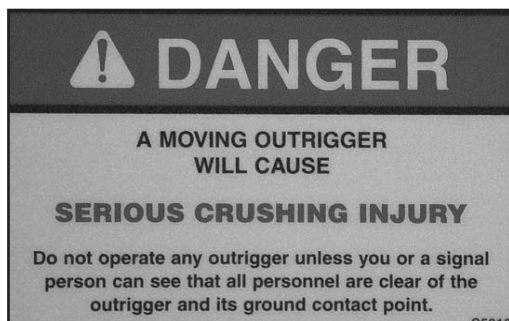
Decals of Note



Foot Crushing Hazard Decal

Location: On each outrigger leg.

Function: To inform the operator and other personnel in the work area of the hazard associated with the operation of the outriggers, the possible consequences should the hazard occur, and how to avoid the hazard. PN: C4795



Moving Outrigger Hazard Decal

Location: On each outrigger

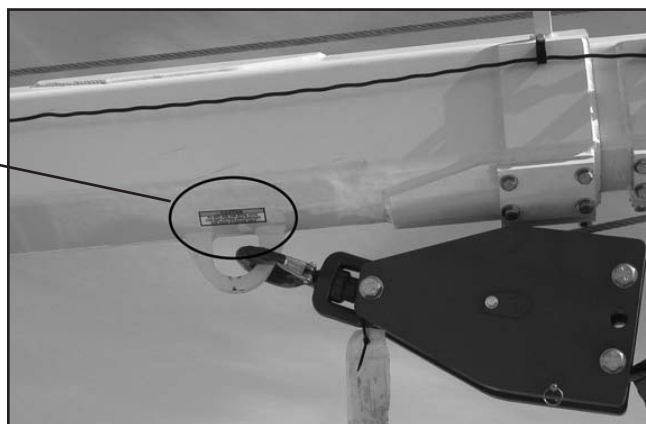
Function: To inform the operator of the hazard associated with outrigger operation, the possible consequences should the hazard occur, and how to avoid the hazard. PN: C5918

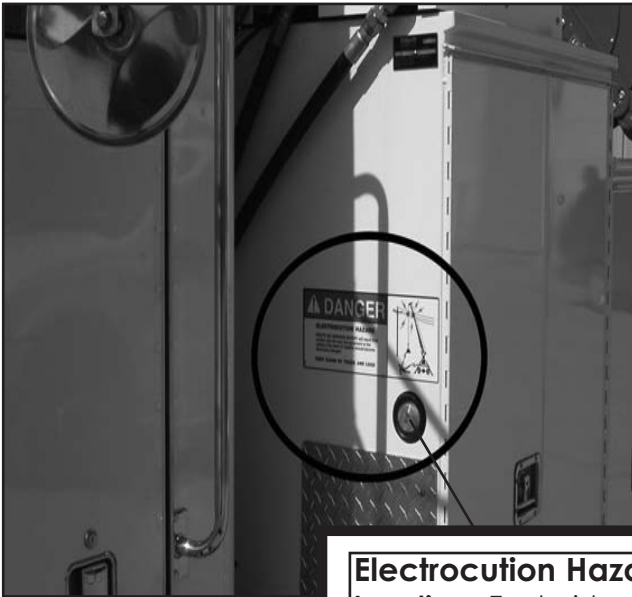


Instructional Decal

Location: At Stow Hook area

Function: To caution the operator not to use the stow hook for any lifting applications. PN: 24712



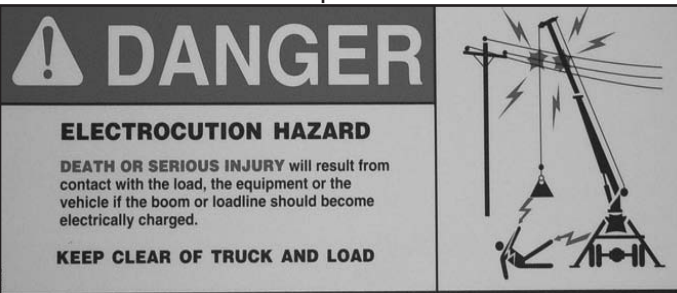


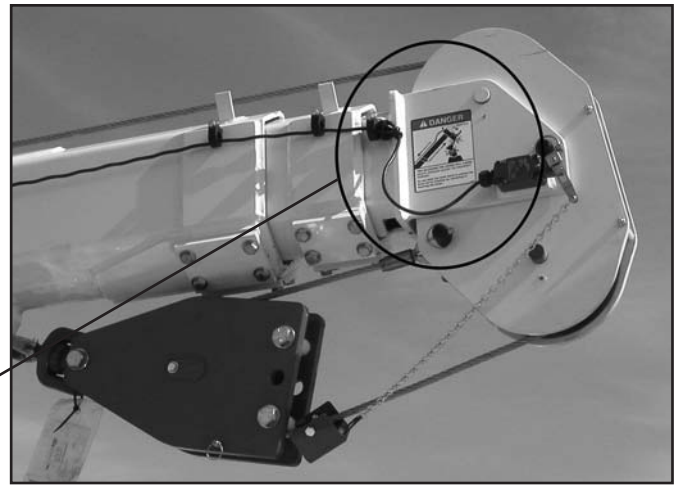
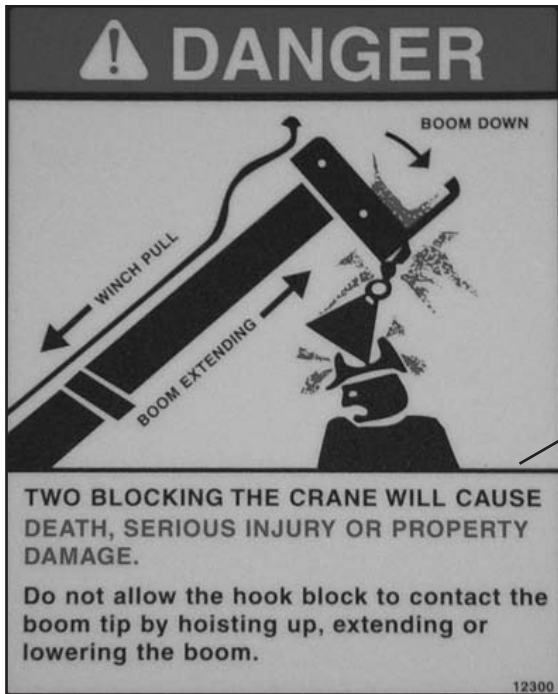
Electrocution Hazard Decal

Location: Each side of truck body, Front & Rear Bumper

Function: To inform the operator and other personnel in the work area of the hazard associated with contact or proximity to electrical lines, the possible consequences should the hazard occur and how to avoid the hazard.

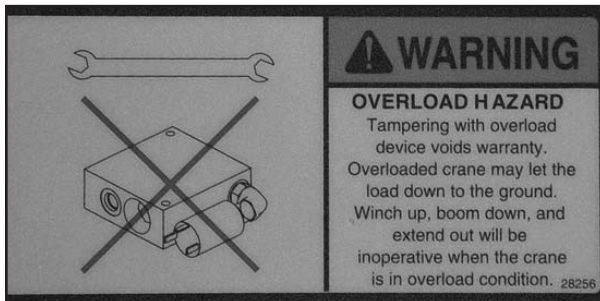
PN: C4545





Two Block Hazard Decal

Location: At Boom Tip
 Function: To inform the operator of the hazard associated with bringing the sheave(s) into contact with the hook, snatch block or load, the possible consequences should the hazard occur and how to avoid the hazard. PN: 12300



Instructional Decal

Location: At Overload Switch
 Function: To inform the operator that tampering with the overload device may cause a unit failure.
 PN: 28256





Free Falling Manual Boom Decal

Location: Inside Crane Compartment, on Compartment Door

Function: To inform the operator of the hazard associated with free falling manual boom extensions, the possible consequences should the hazard occur, and how to avoid the hazard.

PN: 12452

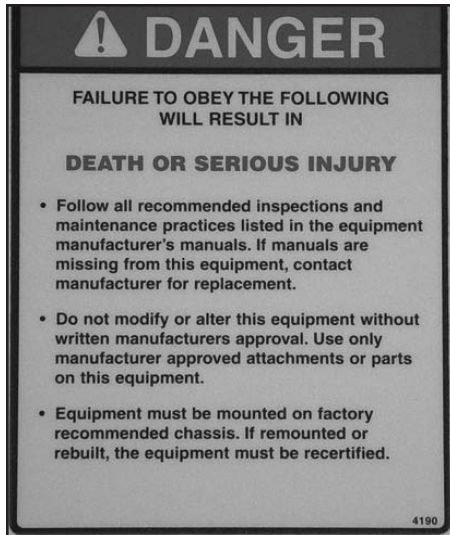


Electrocution Hazard Decal

Location: Inside Crane Compartment, on Compartment Door

Function: To inform the operator of the hazard associated with overloading the crane, the possible consequences should the hazard occur, and how to avoid the hazard.

PN: C1179

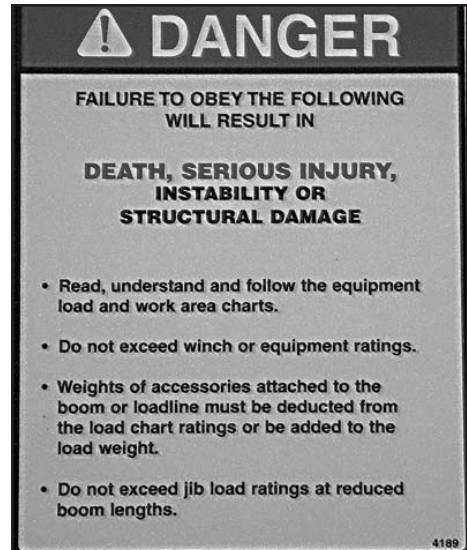


Operation Hazard Decal

Location: Inside Crane Compartment, on Compartment Door

Function: To inform the operator and other personnel in the work area of the hazard associated with improper maintenance and unauthorized modifications, the possible consequences should the hazard occur, and how to avoid the hazard.

PN: 4190



Operation Hazard Decal

Location: Inside Crane Compartment, on Compartment Door

Function: To inform the operator of the hazard associated with overloading the crane, the possible consequences should the hazard occur, and how to avoid the hazard.

PN: 4189

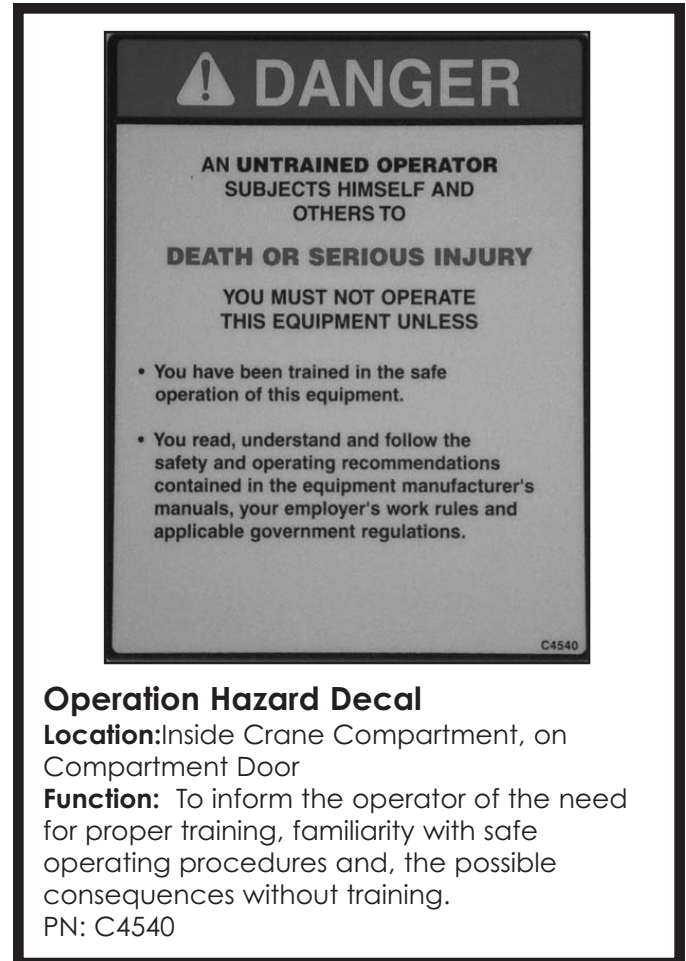


Moving Boom Hazard Decal

Location: Inside Crane Compartment, on Compartment Door

Function: To inform the operator and other personnel in the work area of the hazard associated with a moving boom, especially while stowing and unfolding the crane, the possible consequences should the hazard occur, and how to avoid the hazard.

PN: C4541

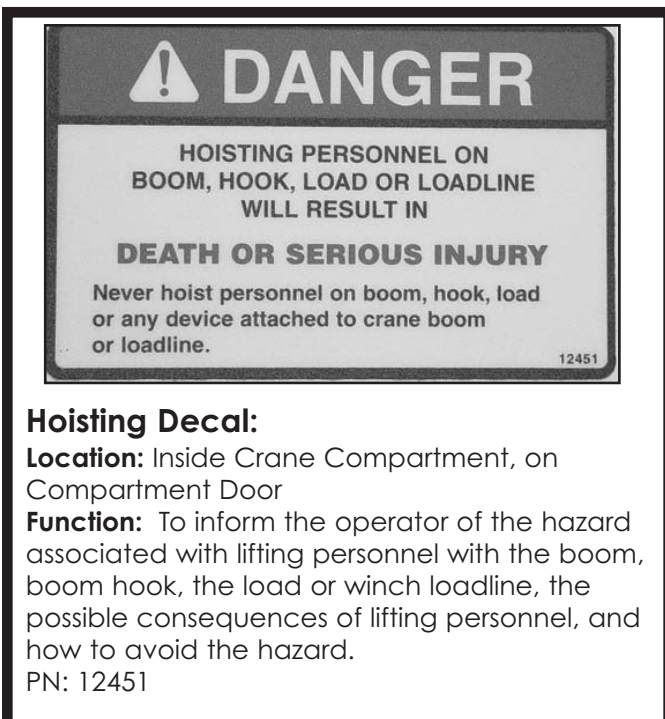


Operation Hazard Decal

Location: Inside Crane Compartment, on Compartment Door

Function: To inform the operator of the need for proper training, familiarity with safe operating procedures and, the possible consequences without training.

PN: C4540

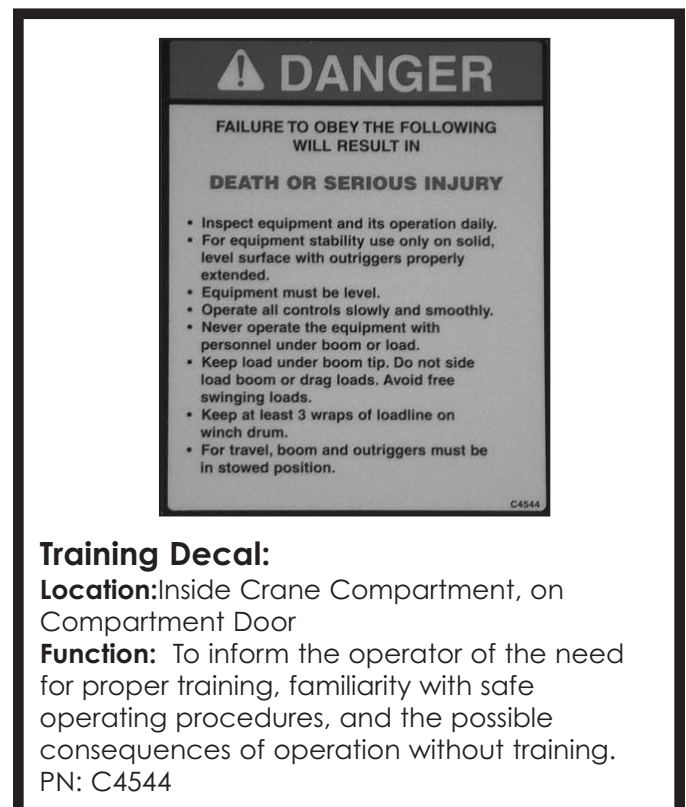


Hoisting Decal:

Location: Inside Crane Compartment, on Compartment Door

Function: To inform the operator of the hazard associated with lifting personnel with the boom, boom hook, the load or winch loadline, the possible consequences of lifting personnel, and how to avoid the hazard.

PN: 12451



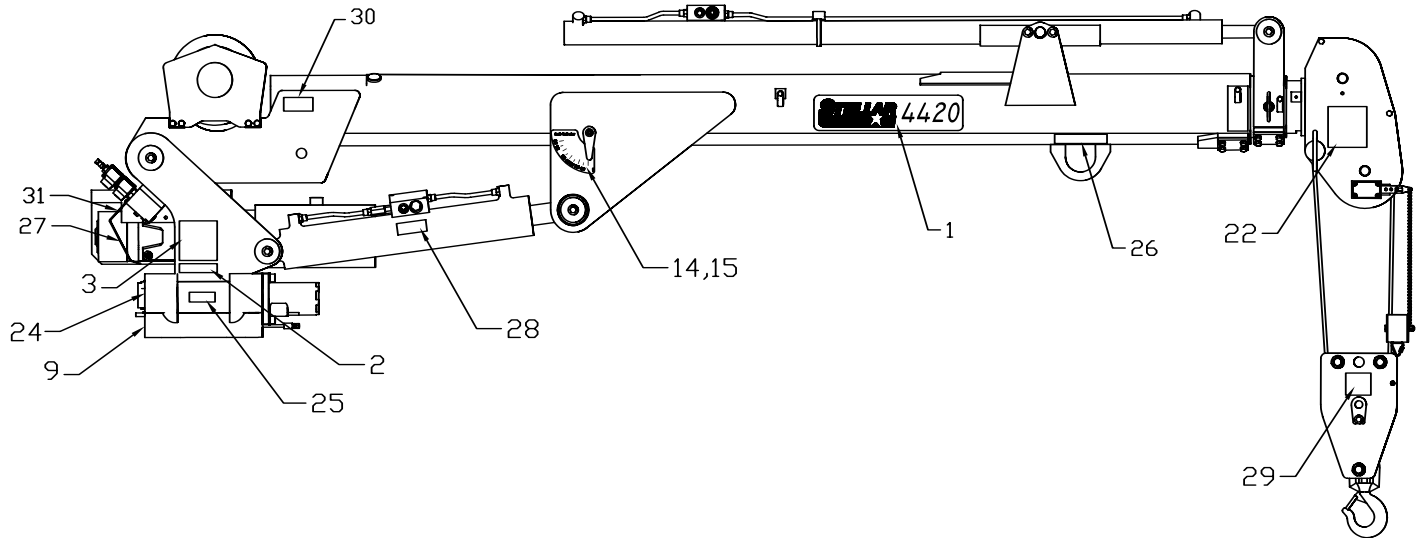
Training Decal:

Location: Inside Crane Compartment, on Compartment Door

Function: To inform the operator of the need for proper training, familiarity with safe operating procedures, and the possible consequences of operation without training.

PN: C4544

Decal Kit Placement - PN 24332



PN 24332

**THESE DECALS NOT INCLUDED WITH THE DECAL KIT
 *USE THESE DECALS WITH BODY PACKAGE

15	13819	DECAL-ANGLE INDICATOR SS	1	31	41068	DECAL VB CONTROL MECH CRANE	1
14	13820	DECAL ANGLE INDICATOR CS	1	**30	35234	DECAL STELLAR MADE IN THE USA	1
*13	C1179	DECAL-ELECTRODCUTION 4.5x7.5	2	29	38205	DECAL SNATCH BLOCK CAP 3 TON	1
*12	C5918	DECAL-DANGER MOVING D.R.	2	28	28256	DECAL WARNING OVERLOAD DEVICE	1
*11	C4795	DECAL-DANGER D.R.	2	27	25159	DECAL WARNING MANUAL OVERRIDES	1
*10	4190	DECAL-DANGER	1	26	24712	DECAL CAUTION STOW HOOK	1
09	9188	DECAL-ROTATE/GREASE	1	25	15171	DECAL GREASE WORM DRIVE BEARINGS	1
*08	4189	DECAL-DANGER	1	24	4188	DECAL-ROTATION ALIGNMENT	1
*07	4186	DECAL-ELECTRODCUTION 2x2.75	1	*23	C4541	DECAL-CRANE STOWING	1
*06	C4544	DECAL-DANGER	1	22	12300	DECAL-TWO BLOCKING	1
*05	C4540	DECAL-DANGER	1	*21	4214	DECAL-SERVICE	1
*04	C4545	DECAL-ELECTRODCUTION 5x13	4	*20	C0568	DECAL-DIESEL	2
*03	24701	DECAL CAPACITY	2	*19	12452	DECAL MANUAL EXT	1
02	15172	DECAL ASME/ANSI B30.22/B30.5	1	*18	C5911	DECAL-STELLAR 2x4.5	3
01	24700	DECAL IDENTIFICATION	2	*17	C5910	DECAL-STELLAR 4x9.5	1
ITEM	PART No.	DESCRIPTION	QTY	*16	12451	DECAL HOISTING PERSONNEL	1
				ITEM	PART No.	DESCRIPTION	QTY

Chapter 6 - Installation

Notice: Read this Page Before Installation of the Crane

General Installation

This chapter is designed to serve as a general guide for the installation of a Stellar 4420 Telescopic Crane on a Stellar Service Body. Each installation is considered unique so certain portions of this chapter may or may not apply to your direct application. If a question should arise during the installation process, please contact Stellar Customer Service at (800) 321 3741.

This crane is designed for use with a Stellar Service Body installed on a vehicle that meets the minimum chassis requirements of the crane. Check with Stellar Industries before installing this crane on a body other than a Stellar Service Body.

WARNING!

The use of this crane on a body not capable of handling the loads imposed on it may result in serious injury or death.

Optimal Service Body for the 4420 Crane: T1-11 Service Body

Applicable Chassis:	16000 to 19000 GVWR
Cab to Axle:	84" (213.36 cm)
Body Length Nominal:	133" (337.82 cm)
Body Height:	44" (111.76 cm)
Body Width:	94" (238.76 cm)
Compartment Depth:	22" (55.88 cm)
Floor Width:	50" (127 cm)
Net Weight:	3220 lbs (1460.37 kg)

Installation Notice

According to Federal Law (49 cfr part 571), each final-stage manufacturer shall complete the vehicle in such a manner that it conforms to the standards in effect on the date of manufacture of the incomplete vehicle, the date of final completion, or a date between those two dates. This requirement shall, however, be superseded by any conflicting provisions of a standard that applies by its terms to vehicles manufactured in two or more stages.

Therefore, the installer of Stellar cranes and bodies is considered one of the manufacturers of the vehicle. As such a manufacturer, the installer is responsible for compliance with all applicable federal and state regulations. They are required to certify that the vehicle is in compliance with the Federal Motor Vehicle Safety Standards and other regulations issued under the National Traffic and Motor Vehicle Safety Act.

Please reference the Code of Federal Regulations, title 49 - Transportation, Volume 5 (400-999), for further information, or visit <http://www.gpoaccess.gov/nara/index.html> for the full text of Code of Federal Regulations.

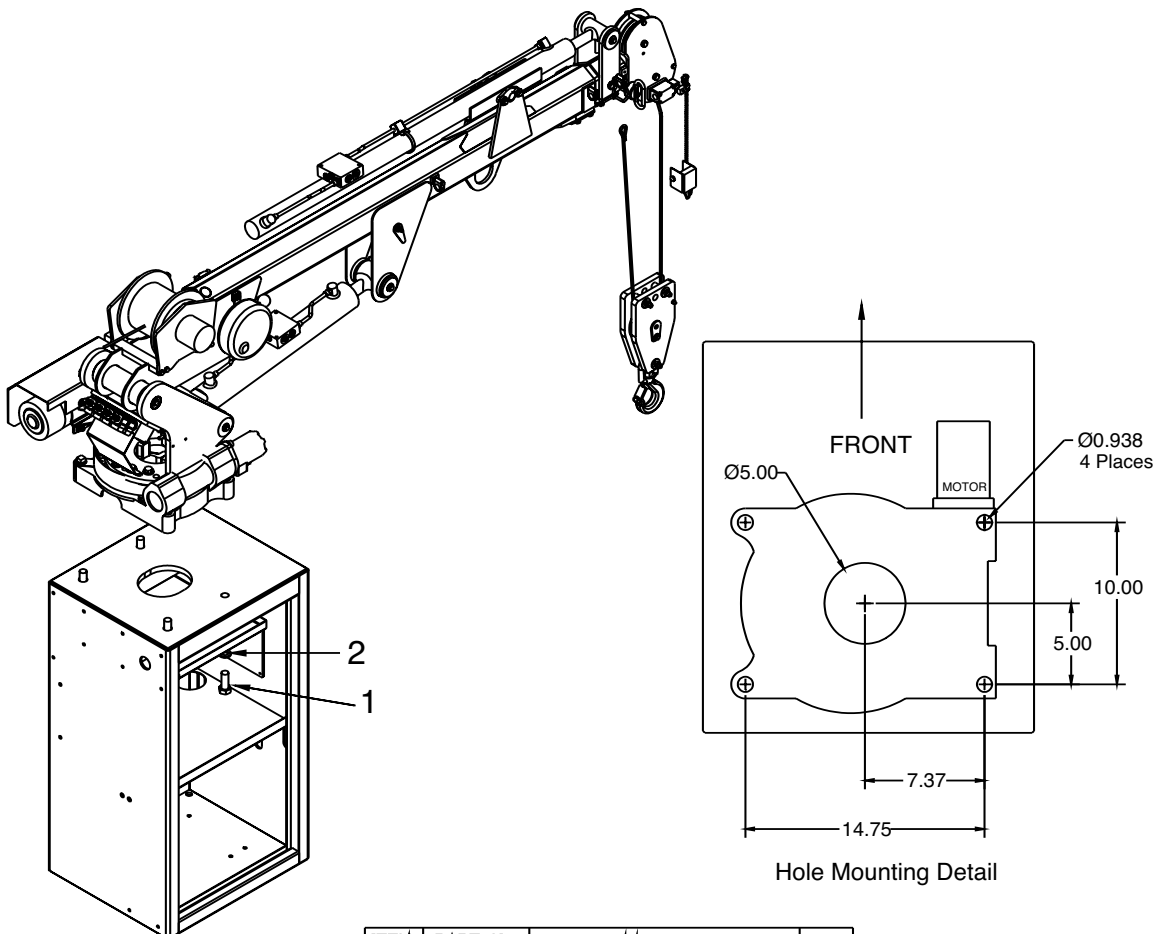
Notice:

PTO and Pump installation instructions are provided by the corresponding manufacturers. For more information on which PTO and Pump fit your application, please contact your local Stellar Distributor or Stellar Customer Service.

The following pages will give a basic overview of the installation process for the Stellar 4420. Please read through them entirely and obtain a clear understanding of the process before proceeding.

Installation Overview

1. Determine that the mounting location for the 4420 crane is at least 18" x 15" (45.7 x 38.1 cm).
2. Use the detail below to drill .938" diameter holes into the mounting plate. Run tap on the threads of the base to be sure they are clean.
3. Use a crane or lifting device capable of lifting the weight of the Stellar crane. The Stellar 4420 weighs approximately 1050 lbs (475 kg). **Note: cranes are shipped with rotation positioned at 180 degrees from normal stowed travel position (See photo above).** This will allow for easy installation of the crane and permanent connection of all hydraulic and electrical components prior to repositioning into the crane saddle.
4. Connect straps or chain from the lifting device to the lifting rings on the Stellar 4420.
5. Use four (4) 7/8 x 2 1/4 #8 bolts and four (4) #8 flat washers.
6. Install a washer on each bolt.
7. Apply Loctite Thread locker #277 to the bolts.
8. Using the lifting device, lower the Stellar 4420 just above the crane compartment and start the bolts. Have someone assist in leveling the crane. **Note: the rotation motor should be to the door side of crane compartment and the boom should be extended back over the rear bumper.**
9. Secure the crane using the mounting hardware provided. **Note: longer or shorter cap screws may be required – recommended thread engagement into crane base is 1.00" – use grade 8, zinc plated cap screws only.**
10. Torque the cap screws to 454 ft-lbs.
11. Remove supporting crane.
12. Hook-up hydraulics and electrical using the schematics provided in *Chapter 8 - Hydraulics - Electrical*. **Note: If questions should arise during any portion of this installation, please contact Stellar Customer Service at (800) 321-3741.**



ITEM	PART No.	DESCRIPTION	QTY
01	17688	CAP SCR 0.88-9x2.25 HHGR8	4
02	8648	WASHER 0.88 SAE GR8	4

Installation Details

1. Determine that the mounting location for the 4420 crane is at least 18" x 15" (45.7 x 38.1 cm).

2. Use the detail on the previous page to drill .938" diameter holes into the mounting plate. Run tap on the threads of the base to be sure they are clean.



3. Use a crane or lifting device capable of lifting the weight of the Stellar crane. The Stellar 4420 weighs approximately 1050 lbs (475 kg). **Note: cranes are shipped with rotation positioned at 180 degrees from normal stowed travel position (See photo above).** This will allow for easy installation of the crane and permanent connection of all hydraulic and electrical components prior to repositioning into the crane saddle.



The number of bolts used may vary from model to model.

4. Connect straps or chain from the lifting device to the lifting rings on the Stellar 4420.

5. Use four (4) $\frac{7}{8}$ x $2\frac{1}{4}$ #8 bolts and four (4) #8 flat washers.

6. Install a washer on each bolt.

7. Apply Loctite Thread locker #277 to the bolts.

8. Using the lifting device, lower the Stellar 4420 just above the crane compartment and start the bolts. Have someone assist in leveling the crane. **Note: the rotation motor should be to the door side of crane compartment and the boom should be extended back over the rear bumper.**



Installation Details Continued...

9. Secure the crane using the mounting hardware provided. **Note: longer or shorter cap screws may be required – recommended thread engagement into crane base is 1.00" – use grade 8, zinc plated cap screws only.**



10. Torque the cap screws to 454 ft-lbs.

11. Remove supporting crane.



12. Hook-up hydraulics and electrical using the schematics provided in *Chapter 8 - Hydraulics - Electrical*.

Note: If questions should arise during any portion of this installation, please contact Stellar Customer Service at (800) 321-3741.

Stability Procedure

Definition of Stability for the Stellar Telescopic Crane Products:

A truck is stable until the load cannot be lifted off the ground with the winch, without tipping over the truck. Every Stellar crane installed must be tested for stability to determine the actual load capacity of the final truck package. The actual test data must be recorded and supplied with the truck at the time of in-service and should be kept with the truck at all times. The following procedure will test the truck package for stability and will provide a stability capacity chart. The load limit information shown on the stability capacity chart is formulated on 85% tipping.

Set Up:

1. Locate the truck on a test course in position for loading and engage travel brakes.
2. Set outriggers so that they make contact with firm, level footings.
3. Operate the crane under partial load to assure operator proficiency and proper machine function.

4420 Stability Data

Max Horizontal Reach: 240" (From the center of rotation to boom tip)
Stability Test Weight: 945 lbs.

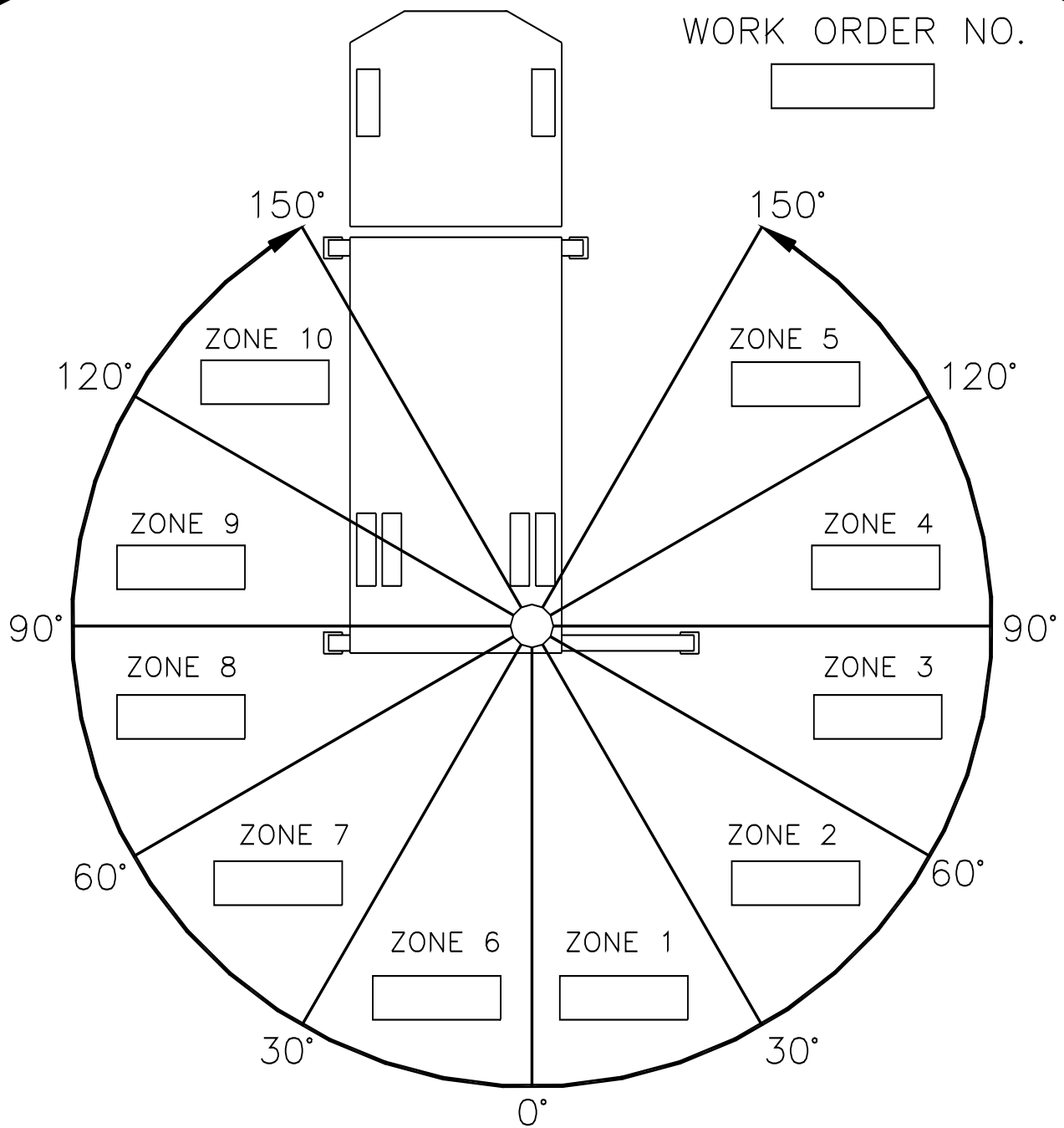
Test Procedure

1. Rotate the crane into Zone 1 position.
2. With the crane fully retracted and the boom horizontal, winch the test weight off the ground. Note: Keep weight within six inches of the ground at all times.
3. Extend the boom outward until full extension has been reached or until the truck becomes unstable (Again, use the winch to keep the weight within six inches of the ground.)
4. If the boom goes full extension without becoming unstable, the crane is termed stable for this zone and 100% can be written in the Zone 1 data box.
5. If the truck becomes unstable prior to going full extension, retract the boom until the truck becomes stable and measure the horizontal reach in this position (center of rotation to boom tip). This is the stable horizontal reach for this zone. Stable horizontal reach divided by Maximum horizontal reach multiplied by 100 equals the percentage of rated capacity for this zone. Use the following formula to determine the percentage of rated capacity:

$$\frac{\text{Stable Horizontal Reach}}{\text{Max Horizontal Reach}} \times 100 = \text{Percentage of Rated}$$

6. Record this number in the data box for Zone 1. This is the revised capacity due to stability for this zone.
7. Repeat this procedure for each zone until the worksheet is completed.
8. This is the revised capacity based on stability of this package.

Stability Capacity Chart



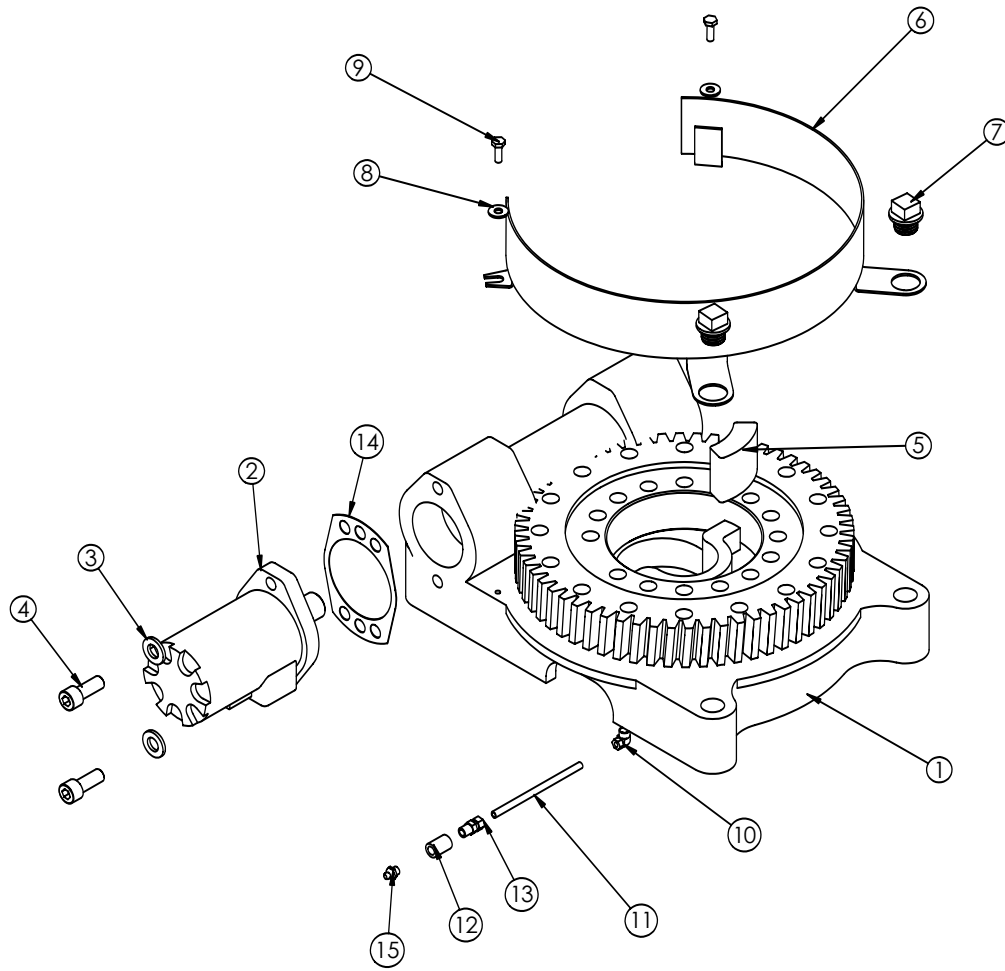
BOXES TO BE FILLED IN WITH PERCENTAGE OF RATED CAPACITY IN THE APPROPRIATE REGION.

STABILITY CAPACITY CHART

STABILITY is based on this specific truck package.

Chapter 7 - Assembly Drawings

Base Assembly - PN 19998

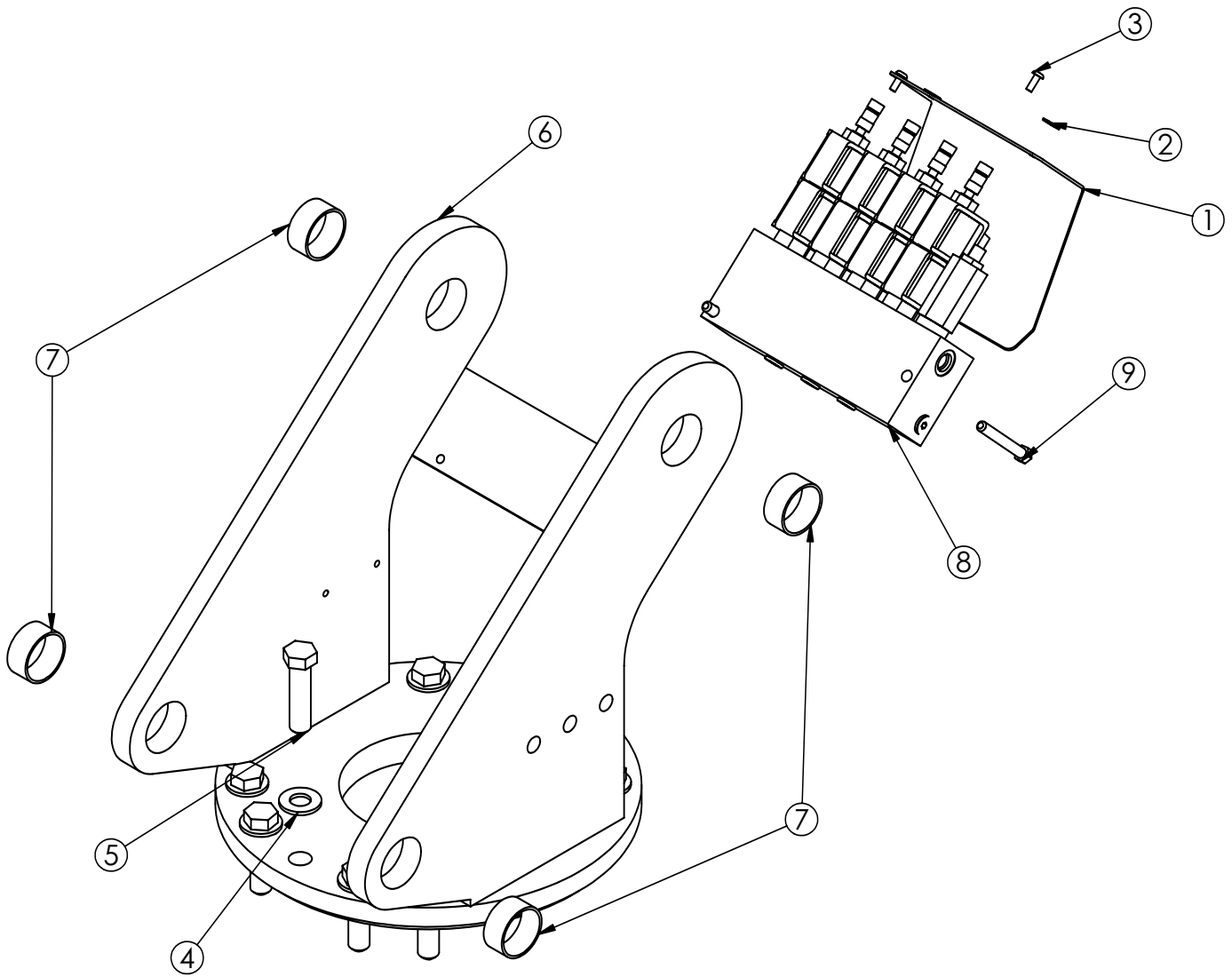


PN 19998

ITEM	PART	DESCRIPTION	QTY.
1	16653	BEARING SWING DRIVE CAST	1
2	D1204	ROTATION MOTOR 5520	1
3	D0790	WASHER 0.50 FLAT GR8	2
4	D1307	CAP SCR 0.50-13X1.25 SH	2
5	17750	STOP 3515	1
6	18945	GUARD TTB 5520 CRANE	1
7	18948	CAP SCR 0.88-9 X .63 PLASTIC	2
8	0340	WASHER 0.25 FLAT	2
9	0479	CAP SCR 0.25-20X0.75 HHGR5	2
10	D0240	FTG ELL 0.13 CPRSN TUBE TO NPT	1
11	22393	TUBE AIR	1
12	C2256	FTG COUPLER PIPE 0.13	1
13	D1345	FTG CPRSN 0.12NPT/0.25 TUBE	1
14	21151	GASKET MOTOR 008-10056-1	1
15	c1592	ZERK 1/8 NPT STRAIGHT	1

GASKET SHOWN AS REFERENCE
 D0240 SHOWN AS REFERENCE
 (INCLUDED WITH GEAR BEARING)

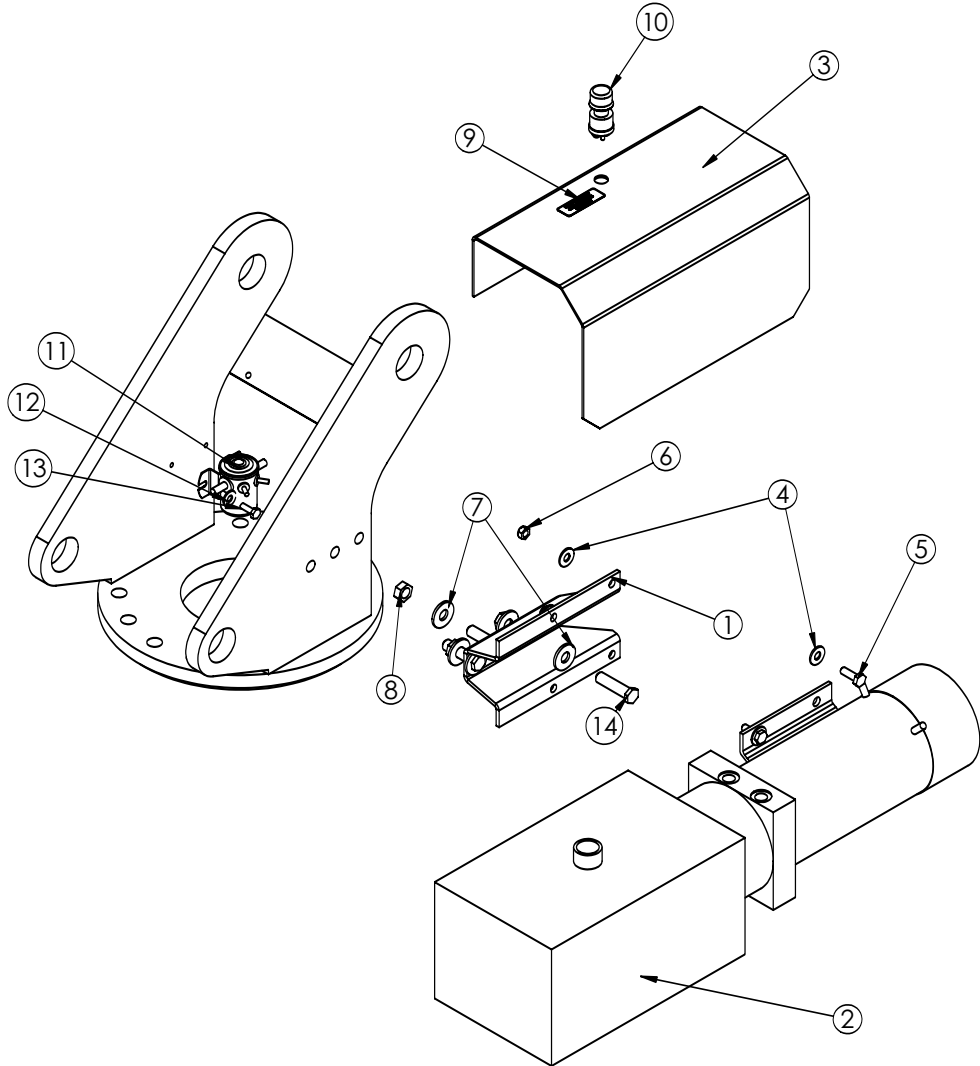
Mast Assembly - PN 19999



PN 19999

ITEM	PART	DESCRIPTION	QTY.
1	20428	COVER VB 3315	1
2	D0178	WASHER #10 SAE FLAT ZINC	2
3	D1711	CAP SCR #10-24X0.50 BTNHD SS	2
4	C5902	WASHER 0.63 SAE FLAT YELLOW GR8	10
5	C1026	CAP SCR 0.63-11X2.50 HHGR8 ZY	10
6	24561	MAST 3315 REV A	1
7	21810	BUSHING GSI-2426-12 1.50X0.75	4
8	24957	VB 4 SECT ELECT ON/OFF STERLING4GPM	1
9	0489	CAP SCR 0.31-18X2.50 HHGR5	2

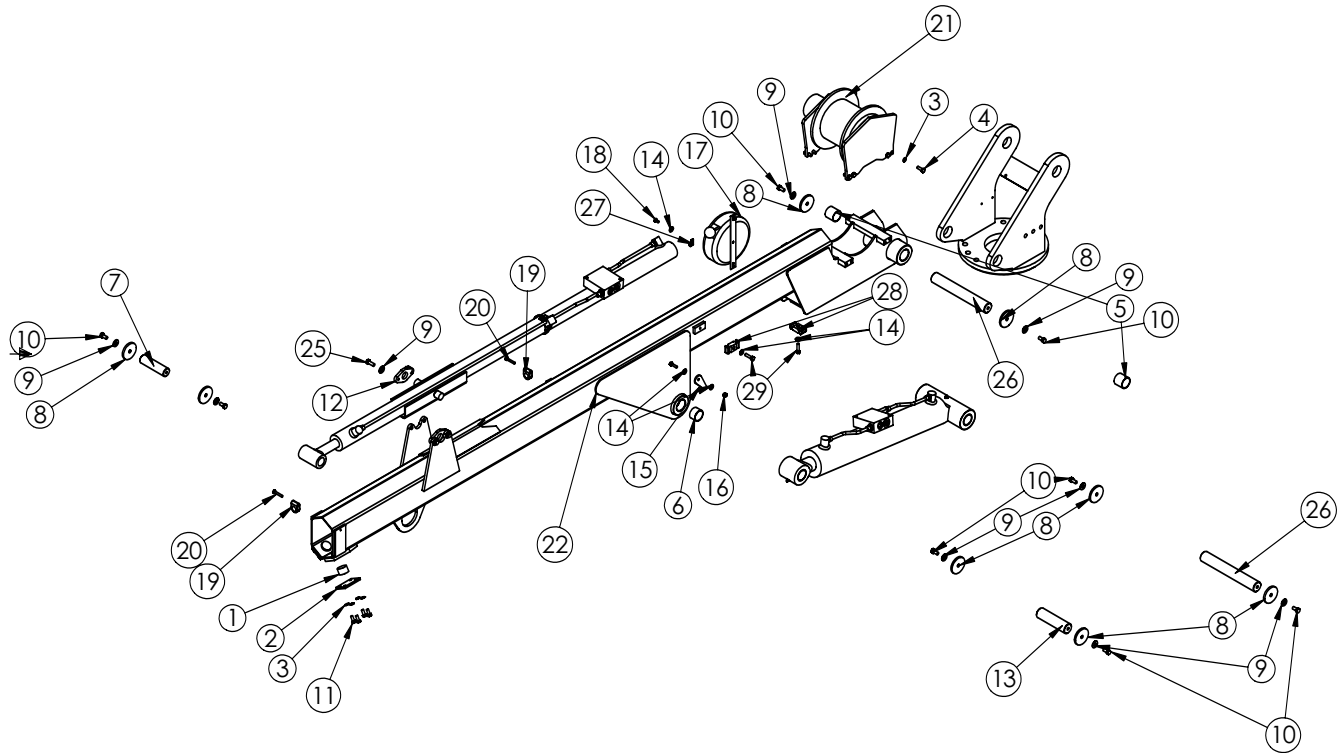
Power Unit Assembly (Electric Version Only) - PN 20432



PN 20432

ITEM	PART	DESCRIPTION	QTY.
1	17132	BRKT POWER UNIT 5520	1
2	16994	POWER UNIT 12V 5520 HORZ	1
3	19997	COVER POWER UNIT 5520	1
4	0343	WASHER 0.31 USS FLAT ZINC	8
5	C0922	CAP SCR 0.31-18X1.00 HHGR5	4
6	0342	NUT 0.31-18 HH NYLOC	4
7	0352	WASHER 0.50 USS FLAT ZINC	6
8	C6106	NUT 0.50-13 HHGR5 NYLOC	3
9	18472	DECAL MANUAL OPERATION 5520	1
10	17771	SWITCH PUSH BUTTON 9216-03	1
11	18468	SOLENOID 12V 200 AMP CONT 24143	1
12	0340	WASHER 0.25 FLAT	2
13	0479	CAP SCR 0.25-20X0.75 HHGR5	2
14	0501	CAP SCR 0.50-13X2.00 HHGR5	3

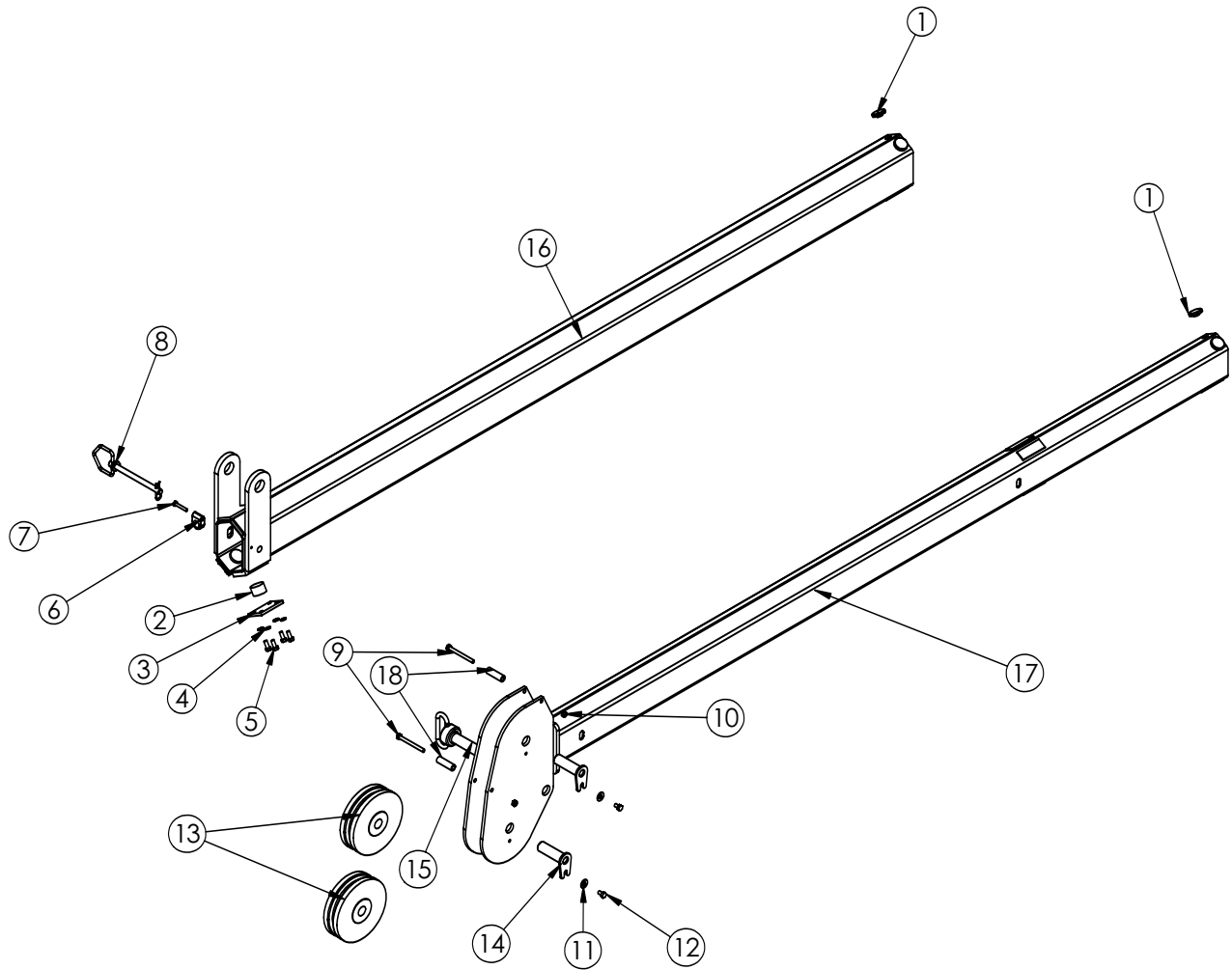
Main Boom Assembly - PN 24568



PN 24568

ITEM	PART	DESCRIPTION	QTY.
1	19496	WEAR PAD .88X1.38 RND	2
2	19497	PLATE 1ST EXT 3315 WEAR PAD	2
3	5591	WASHER 0.31 SAE FLAT YELLOW GR8	16
4	21170	CAP SCR 0.31-18X1.00 HHGR8	8
5	0067	BUSHING QSI-2426-24	2
6	16067	BUSHING QSI-2426-16	2
7	9086	PIN 1.25X4.69 D&T	1
8	7403	PIN CAP 0.44X2.50X.252	8
9	C6353	WASHER 0.38 FLAT GR8	12
10	9843	CAP SCR 0.38-16X0.75 HHGR8	8
11	0420	CAP SCR 0.31-18X0.75 HHGR5	8
12	3267	PLATE CYLINDER MTG	2
13	19514	PIN 1.50X5.50 D&T	1
14	0340	WASHER 0.25 FLAT	8
15	19881	PLATE ANGLE INDICATOR 3315	2
16	0333	NUT 0.25-20 HHGR5 NYLOC	2
17	11544	CORD REEL 6620	1
18	0478	CAP SCR 0.25-20X0.50 HHGR5	2
19	0337	HOSE CLAMP LN 4190 PP	2
20	0220	CAP SCR 0.25-20 X 1.50 HHGR5	2
21	20039	WINCH 2000 4416 CRANE	1
22	24569	INNER BOOM 4420	1
23	25160	CYLINDER ASM 3.50X19.88	1
24	25881	CYLINDER ASM 2.00X60.00	1
25	13573	CAP SCR 0.38-16X1.00 HHGR8	4
26	19512	PIN 1.50X10.50 D&T	2
27	C5606	CLAMP 0.25 BLK VINYL	1
28	8622	CLAMP HOSE/TUBE AG-2	2
29	0485	CAP SCR 0.31-18X1.25 HHGR5	2

Extension Boom Assembly - PN 24570

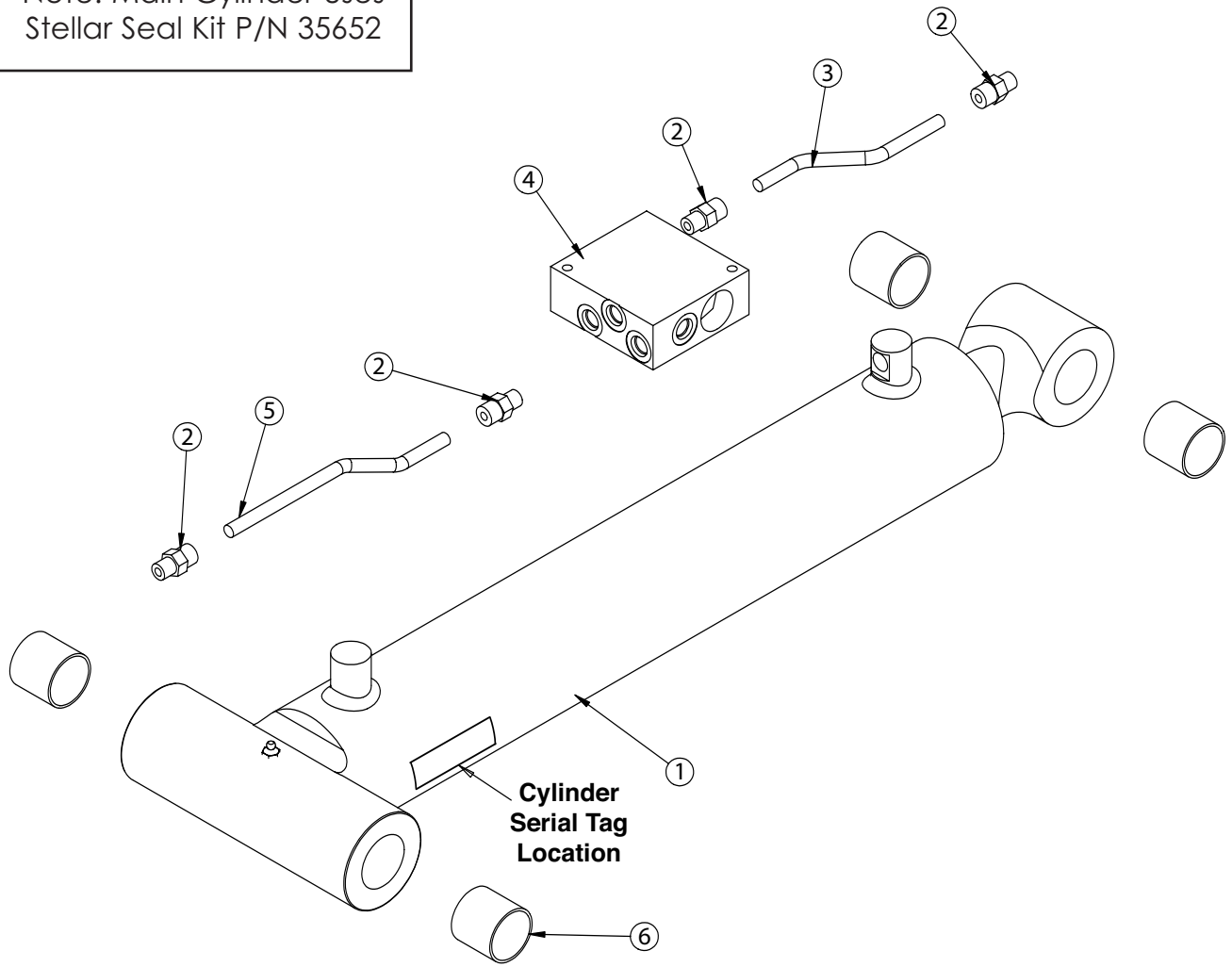


PN 24570

ITEM	PART	DESCRIPTION	QTY.
1	19457	WEAR PAD 0.25X1.38 RND	4
2	19496	WEAR PAD .88X1.38 RND	2
3	19497	PLATE 1ST EXT 3315 WEAR PAD	2
4	5591	WASHER 0.31 SAE FLAT YELLOW GR8	8
5	0420	CAP SCR 0.31-18X0.75 HHGR5	8
6	0337	HOSE CLAMP LN 4190 PP	1
7	0220	CAP SCR 0.25-20 X 1.50 HHGR5	1
8	C5629	PIN HITCH 0.50X5.50	1
9	12178	CAP SCR 0.31-18X3.25 HHGR5	2
10	0342	NUT 0.31-18 HH NYLOC	2
11	0343	WASHER 0.31 USS FLAT ZINC	2
12	0484	CAP SCR 0.31-18 X 0.50 HHGR5	2
13	11545	SHEAVE 6620 6.75 DIA .31R/1.94 THK	2
14	9706	PIN TEAR DROP 1.00X3.25	2
15	12824	PIN HITCH 1.00X4.50	1
16	24691	EXT BOOM 4420 1ST	1
17	24692	EXT BOOM 2ND 4420	1
18	27719	SPACER BOOM TIP 6620 UHMW	2

Main Cylinder Assembly - PN 25160

Note: Main Cylinder uses Stellar Seal Kit P/N 35652



PN 25160

ITEM	PART	DESCRIPTION	QTY.
1	24699	CYLINDER 3.50X19.88	1
2	0279	FTG ADAPT 6-F5OLO-S	4
3	19363	TUBE ASM 0.38X5.69 3315	1
4	13080	MANIFOLD SINGLE T11A 3500 PSI	1
5	15173	TUBE ASM 0.38X7.81 MAIN CYL 5520	1
6	0067	BUSHING BPC-2426-24 1.50X1.50	4

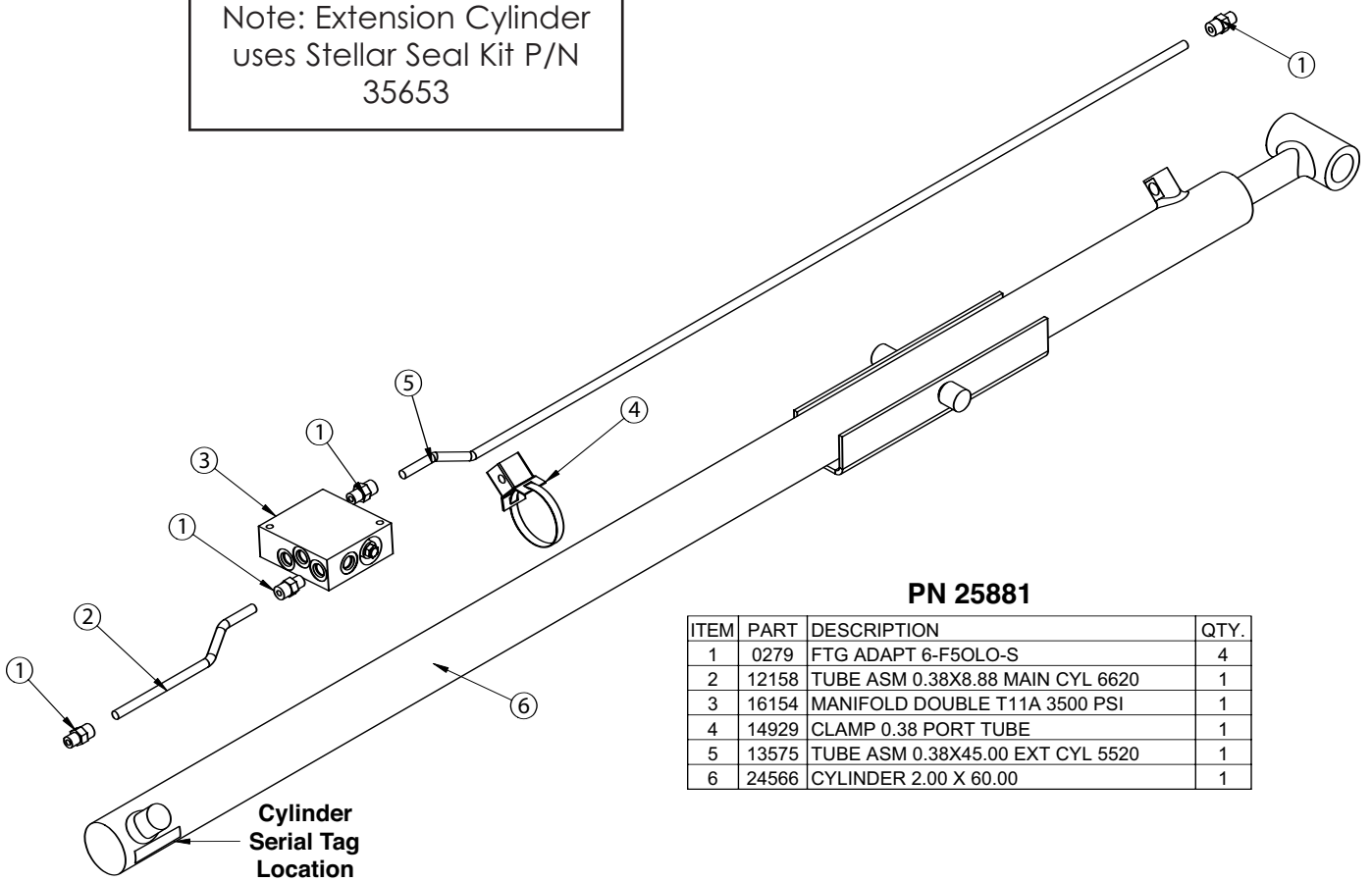
*CYLINDER BUSHINGS FOR REFERENCE ONLY

Holding Valve Removal Procedure:

- Locate Holding Valve to be removed.
- Unlock Jam Nut, as shown.
- Turn center screw, as shown, ClockWise Direction. Important - Count the turns it takes until stopping.
- Holding valve can now be removed from manifold. Important - Before replacing valve, reset by turning the center screw the same amount of turns Counter ClockWise as in previous step.
- Reset Jam Nut.
- Valve is now removed and set at Factory Specifications.

Extension Cylinder Assembly - PN 25881

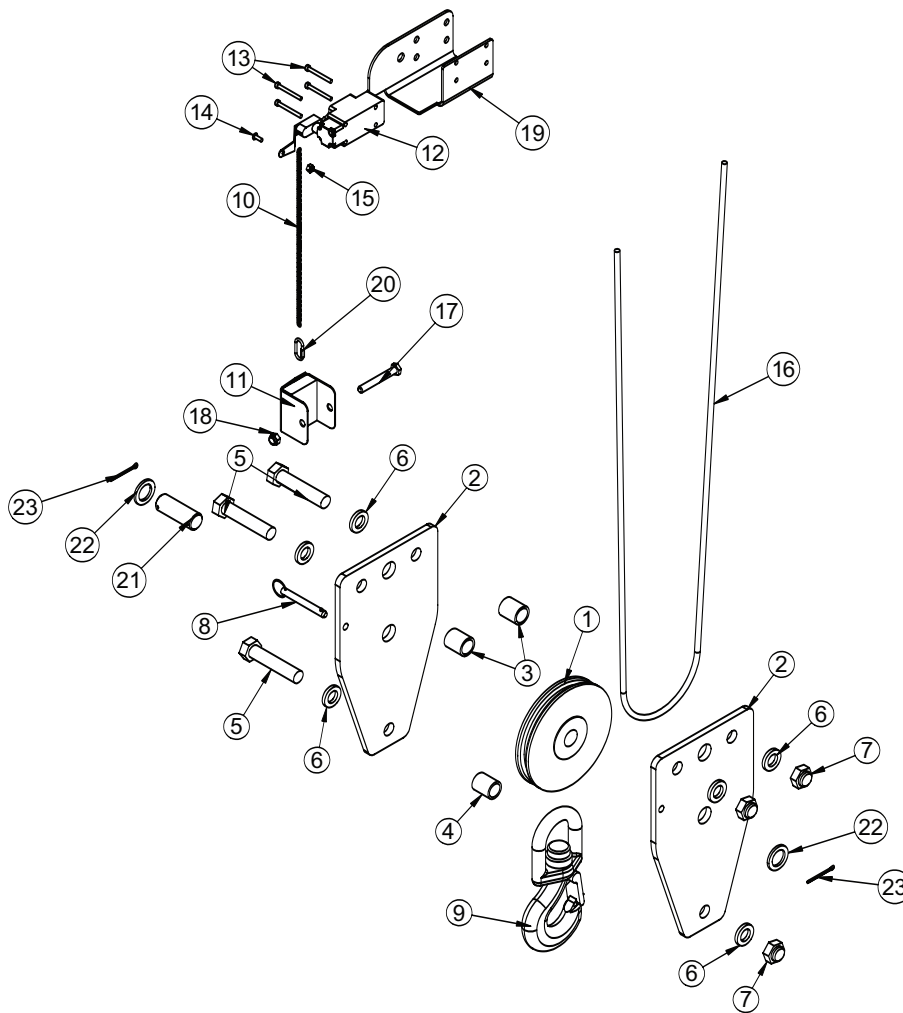
Note: Extension Cylinder uses Stellar Seal Kit P/N 35653



PN 25881

ITEM	PART	DESCRIPTION	QTY.
1	0279	FTG ADAPT 6-F5OLO-S	4
2	12158	TUBE ASM 0.38X8.88 MAIN CYL 6620	1
3	16154	MANIFOLD DOUBLE T11A 3500 PSI	1
4	14929	CLAMP 0.38 PORT TUBE	1
5	13575	TUBE ASM 0.38X45.00 EXT CYL 5520	1
6	24566	CYLINDER 2.00 X 60.00	1

Cable & Hook Assembly - PN 38203

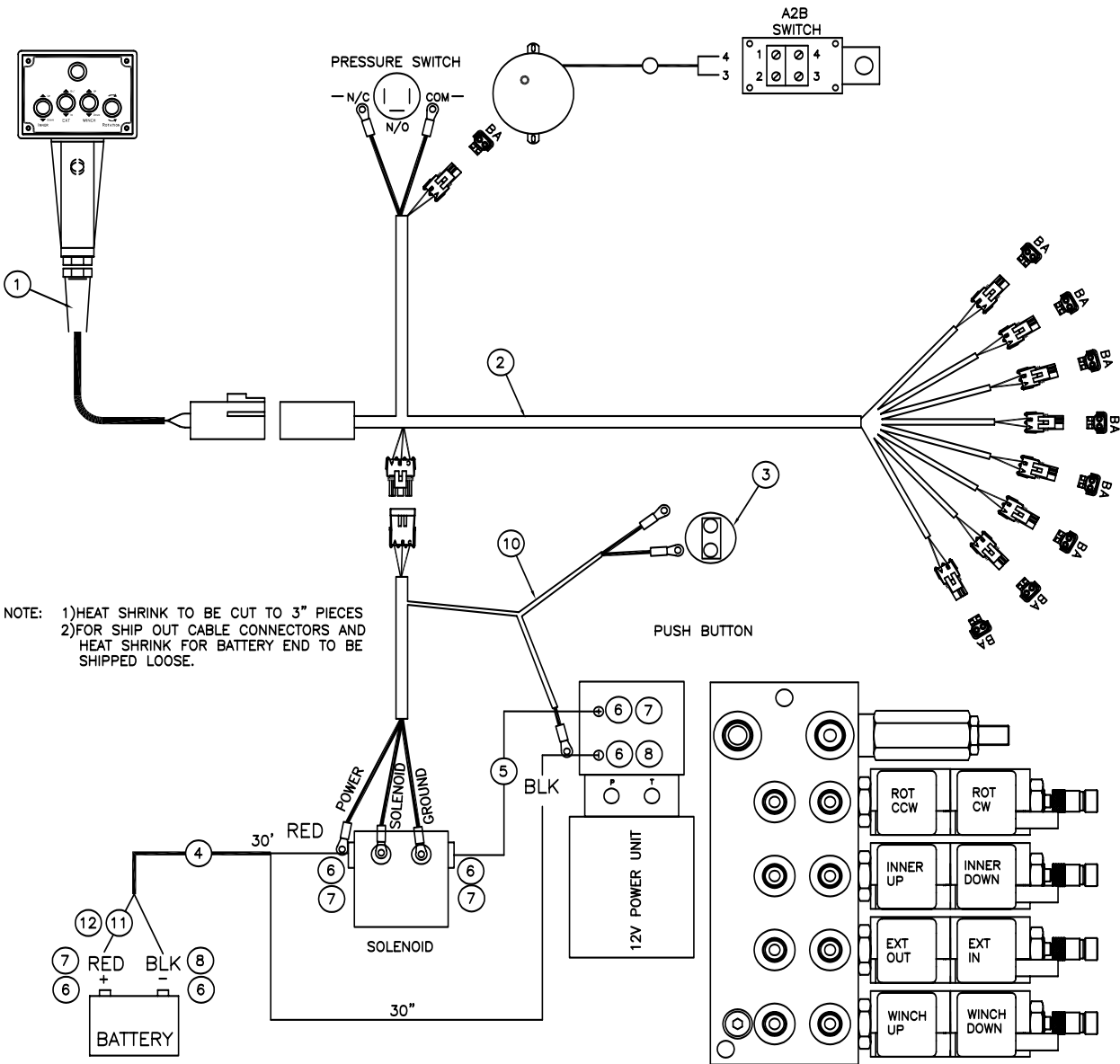


P/N 38203

ITEM	PART	DESCRIPTION	QTY.
1	11934	SHEAVE 6620 6.50 DIA .31R/1.12 THK	1
2	37120PC	PLATE 6620 SNATCH BLOCK	2
3	27812	SPACER 6620 SNATCH BLOCK UHMW	2
4	11666PC	SPACER 5520 SNATCH BLOCK	1
5	4975	CAP SCR 0.75-10X3.50 HHGR8 ZY	3
6	C6219	WASHER 0.75 SAE FLAT YELLOW GR8	6
7	C0538	NUT 0.75-10 HHGR8 NYLOC	3
8	9263	PIN .38X3.00 QUICK RELEASE	1
9	25842	HOOK 3 TON SWIVEL CROSBY 1028618	1
10	10972	CHAIN 0.105 (RM) 2607-21201	1
11	35264PC	WEIGHT ANTI 2 BLOCK	1
12	11938	SWITCH LIMIT A2B FURNAS 3SE3170	1
13	33749	SCREW #10-24X1.75 SHGR8 ZINC	4
14	D1711	CAP SCR #10-24X0.50 BTNHD SS	1
15	C4956	NUT #10-24 HH NYLOC SS	1
16	9610	WIRE ROPE 0.31 6X19 IWRC-XIP 90FT	1
17	0530	CAP SCR 0.38-16X2.75 HHGR5	1
18	0347	NUT 0.38-16 HH NYLOC	1
19	33081	COVER ANTI 2 BLOCK	1
20	37850	CONNECTOR QUICK LINK 0.13	1
21	37601	PIN 1.00X2.75 COTTER	1
22	0424	MACHY WASHER 1.00ID 10GA	2
23	37824	COTTER PIN .125X1.00	2

Chapter 8 - Hydraulics - Electrical

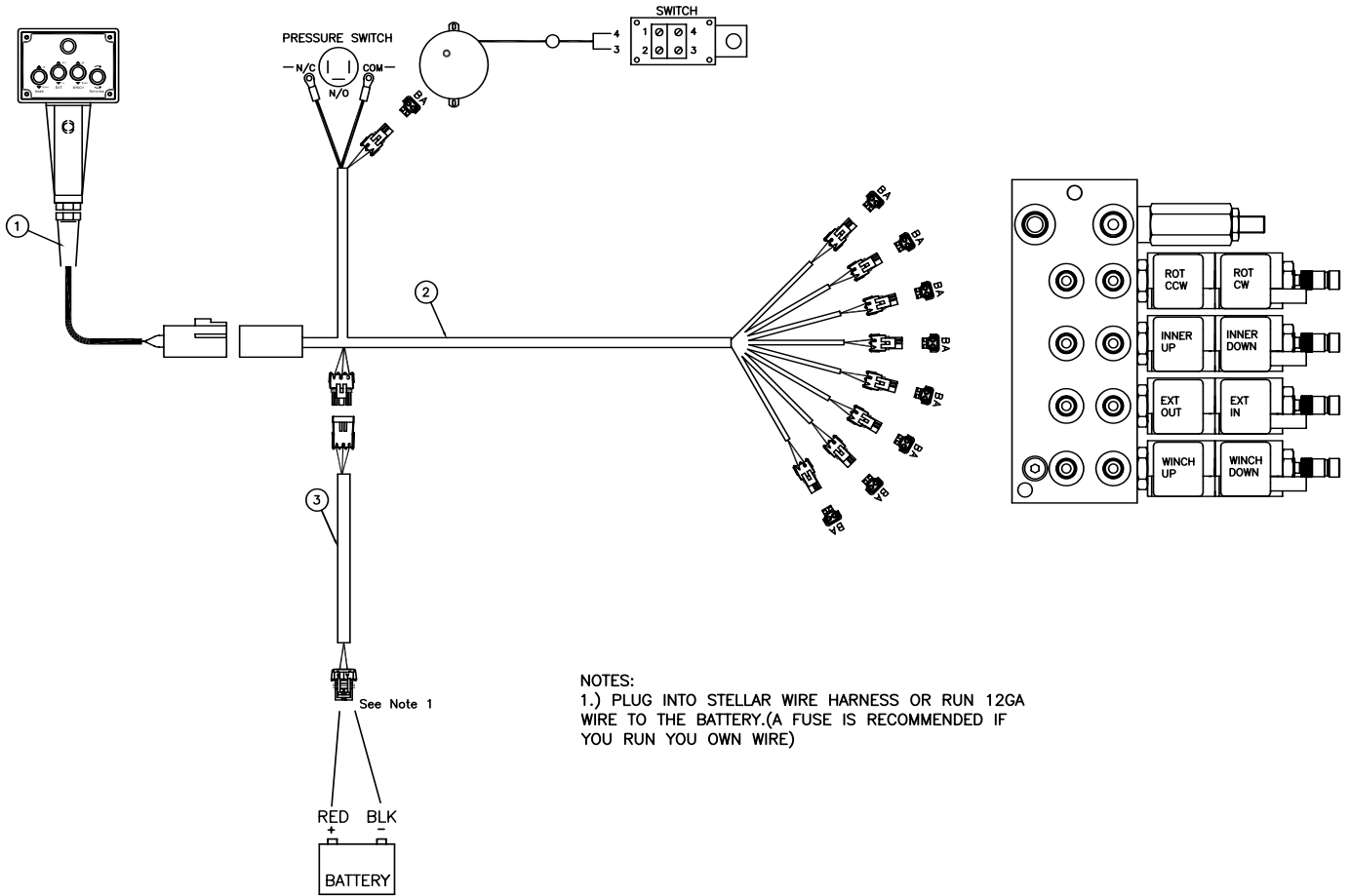
Control Kit (Electrical Version) - PN 20435



PN 20435

ITEM	PART No.	DESCRIPTION	QTY
12	32523	FUSE HOLDER 46039	1
11	36435	FUSE 200 AMP 46274	1
10	25887	WIRE HARNESS 3315 ELECTRIC	1
09	18472	DECAL MANUAL OPERATION 5520	1
08	15218	HEAT SHRINK 0.50 BLK (RM) 22241	6"
07	15219	HEAT SHRINK 0.50 RED (RM) 22241	12"
06	4466	TERML #1X.38 COPPER LUG	6
05	18627	CABLE #2 RED	18"
04	20466	CABLE #2 2 WIRE	32.5'
03	17771	SWITCH PUSH BUTTON 9216-03	1
02	25889	WIRE HARNESS 3315 MULTI FUNCTION VB	1
01	20436	HANDLE ASSEMBLY	1

Control Kit (Hydraulic Version) - PN 24331

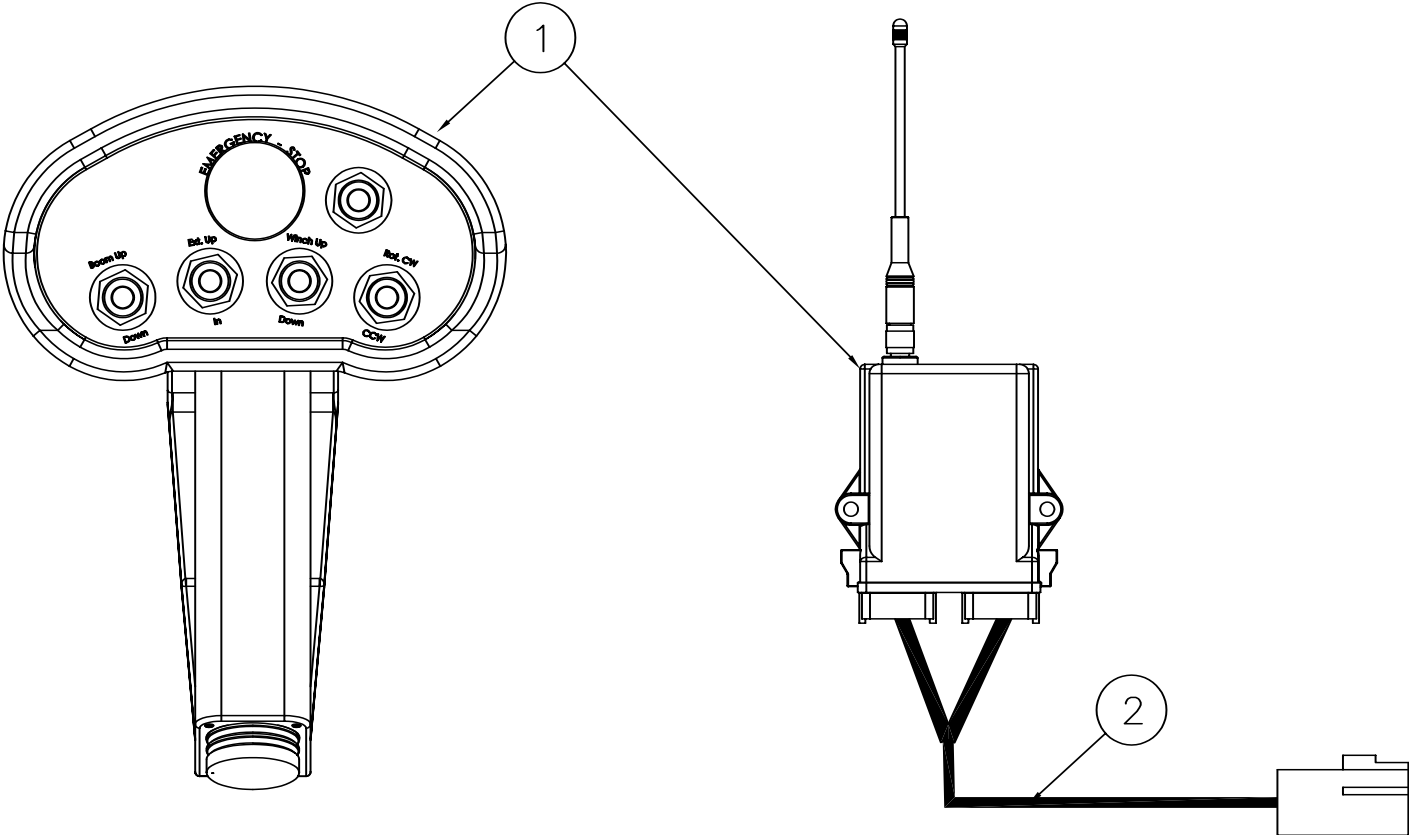


NOTES:
 1.) PLUG INTO STELLAR WIRE HARNESS OR RUN 12GA WIRE TO THE BATTERY.(A FUSE IS RECOMMENDED IF YOU RUN YOU OWN WIRE)

PN 24331

03	25888	WIRE HARNESS 3315 HYD	1
02	25889	WIRE HARNESS 3315 MULTI FUNCTION VB	1
01	20436	HANDLE ASSEMBLY	1
ITEM	PART No.	DESCRIPTION	QTY

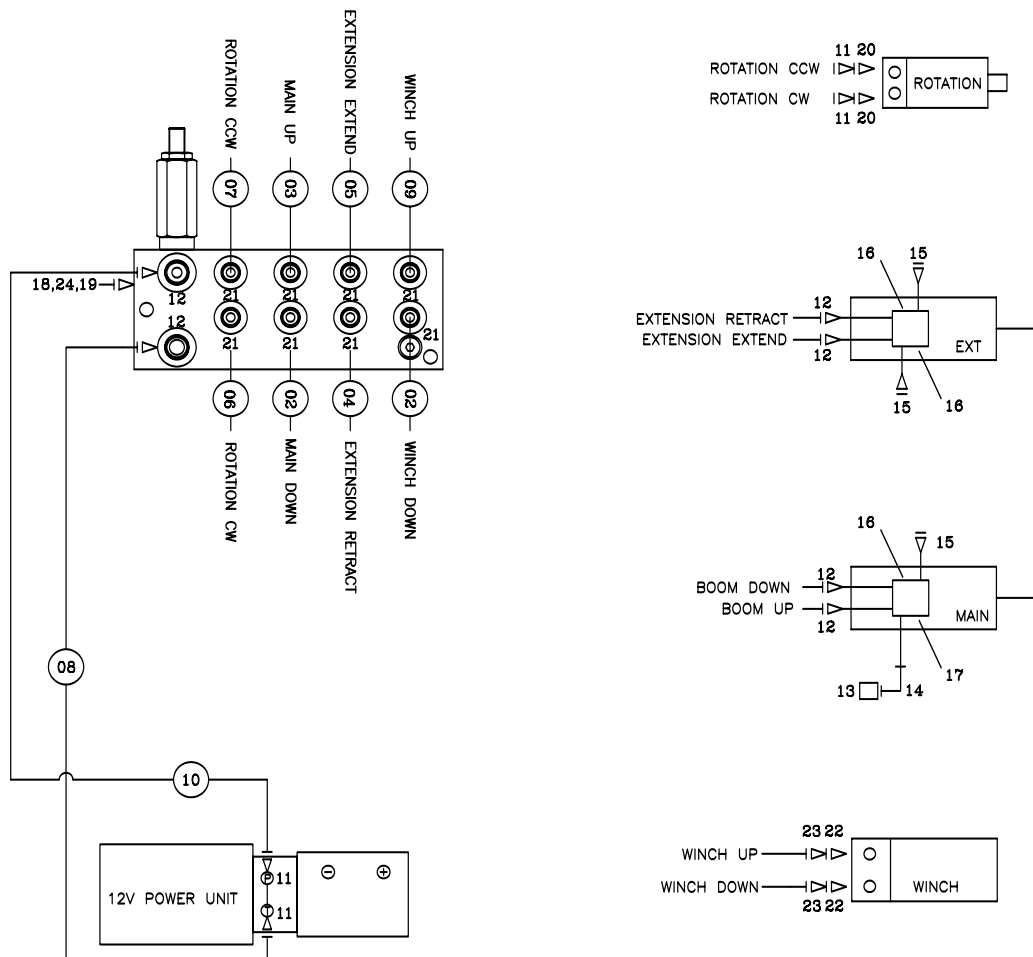
Control Kit (Radio Version) - PN 41051



PN 41051

ITEM	PART No.	DESCRIPTION	QTY
02	39796	WIRE HARNESS 3315 HETRONIC RADIO	1
01	39784	RADIO CNTRL ASM 5 FCTN ON/OFF	1

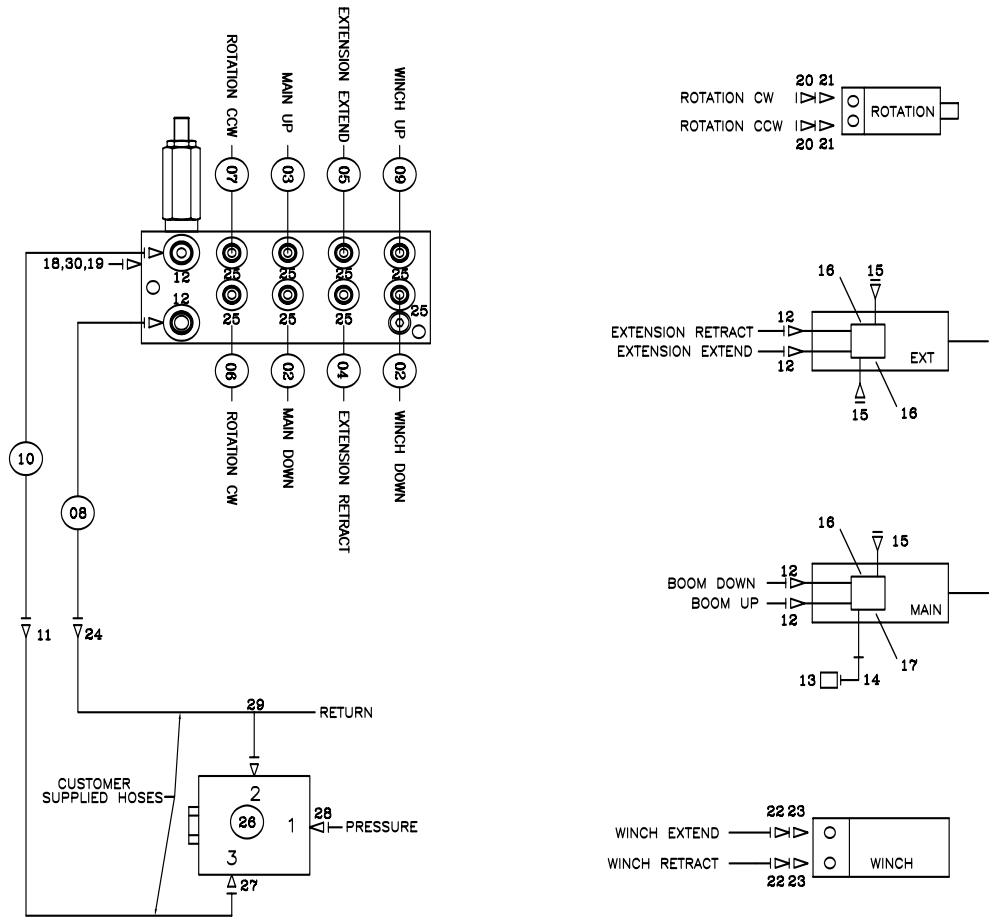
Hydraulic Kit (Electrical Version) - PN 25882



PN 25882

24	C5908	FTG 0.25 ML ELL	1
23	D1190	FTG ADAPT 4-6 V5OLO-S	2
22	20060	FTG ADAPT MBSPP/FSTR 3/8-6 F40HG5	2
21	D1291	FTG ADAPT 4-F5OLO-S	8
20	C1111	FTG ADAPT MSTR/FSTR 10-6 F50G5	2
19	6691	FTG MSTR/FNPT 6-1/4	1
18	6397	GAUGE OIL LF 2.5" 0-5000 CBM	1
17	11991	VALVE C-BAL PLUG	1ref
16	9803	VALVE C-BAL	3ref
15	C4961	PLUG STR HOLLOW HEX 0.38 6-HP50N	3ref
14	3861	FTG ML FM O'RING 90 DEG	1
13	3862	SWITCH PRES OVERLD 744.6-S03R-2900N	1
12	C4922	FTG ADAPT 4-6 F5OLO-S	8
11	3338	FTG MF/MSTR 90 4-6 C5OLO-S	4
10	21160	HOSE-HYD .25 X 18	1ref
09	21159	HOSE-HYD .25X 25	1ref
08	21161	HOSE-HYD .25 X 19	1ref
07	21158	HOSE-HYD .25X 34	1ref
06	15032	HOSE-HYD .25 X 35	1ref
05	13022	HOSE-HYD .25 X 73	1ref
04	25884	HOSE-HYD .25 X 71	1ref
03	25006	HOSE-HYD .25 X 27	1ref
02	13438	HOSE-HYD .25 X 26	2ref
01	25883	HOSE KIT 4420 CRANE (incl:2-11)	1
ITEM	PART No.	DESCRIPTION	QTY

Hydraulic Kit (Hydraulic Version) - PN 25885

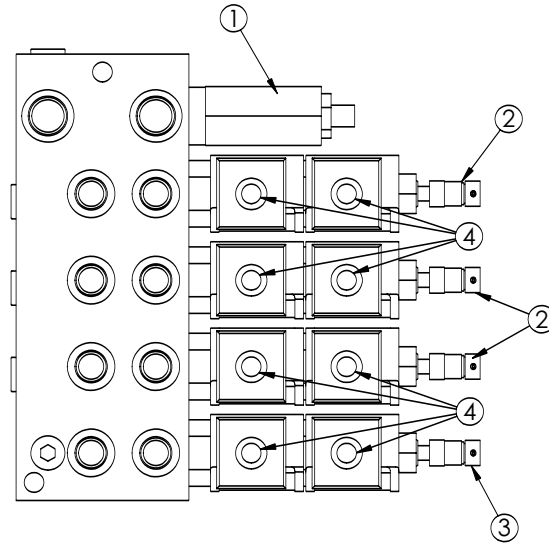


NOTE: FASTEN FLOW CONTROL(P/N 26196) IN CRANE BOX AND RUN HOSES AS SHOWN

PN 25885

30	C5908	FTG 0.25 ML ELL	1
29	C2345	FTG TEE 6-S5OLO-S	1
28	C0338	FTG MF/MSTR 90 6-C5OLO-S	1
27	0279	FTG ADAPT 6-F5OLO-S	1
26	26196	VALVE FLW CTRL/PR FRCA-XAN-ECI-3GPM	1
25	D1291	FTG ADAPT 4-F5OLO-S	8
24	12172	FTG SWIVEL 0.50 FS/FS PSB1JMJM-8-8	1
23	D1190	FTG ADAPT 4-6 V5OLO-S	2
22	20060	FTG ADAPT MBSPP/FSTR 3/8-6 F4OHG5	2
21	3338	FTG MF/MSTR 90 4-6 C5OLO-S	2
20	C1111	FTG ADAPT MSTR/FSTR 10-6 F5OG5	2
19	6691	FTG MSTR/FNPT 6-1/4	1
18	6397	GAUGE OIL LF 2.5" 0-5000 CBM	1
17	11991	VALVE C-BAL PLUG	1ref
16	9803	VALVE C-BAL	3ref
15	C4961	PLUG STR HOLLOW HEX 0.38 6-HP50N	3ref
14	3881	FTG ML FM O'RING 90 DEG	1
13	3882	SWITCH PRES OVERLD 744.6-S03R-2900N	1
12	C4922	FTG ADAPT 4-6 F5OLO-S	6
11	12171	FTG SWIVEL 0.38 FS/FS PSB1JMJM-6-6	1
10	23182	HOSE-HYD .25 X 15	1ref
09	21159	HOSE-HYD .25X 25	1ref
08	23183	HOSE-HYD .38 X 14	1ref
07	21158	HOSE-HYD .25X 34	1ref
06	15032	HOSE-HYD .25 X 35	1ref
05	13022	HOSE-HYD .25 X 50	1ref
04	25884	HOSE-HYD .25 X 50	1ref
03	13011	HOSE-HYD .25 X 26	1ref
02	13438	HOSE-HYD .25 X 26	2ref
01	25886	HOSE KIT 4420 CRANE (incl:2-10)	1
ITEM	PART No.	DESCRIPTION	QTY

Valve Bank - PN 24957

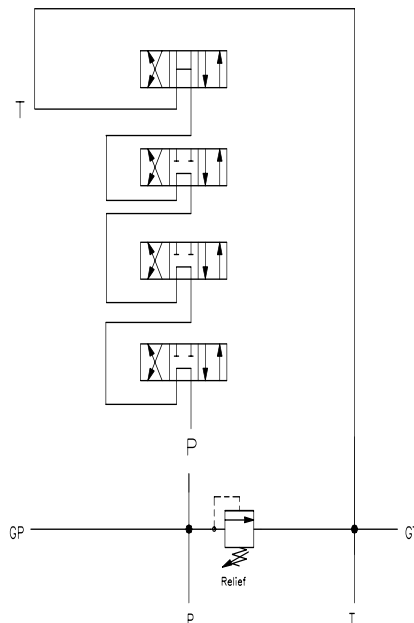
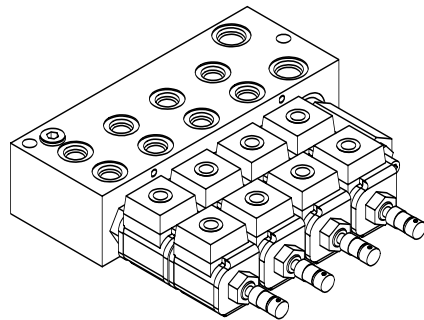


P/N 24957 Valve Identification

Valve Item #2 P/N 25377 G02571
Valve Item #3 P/N 25378 G02591

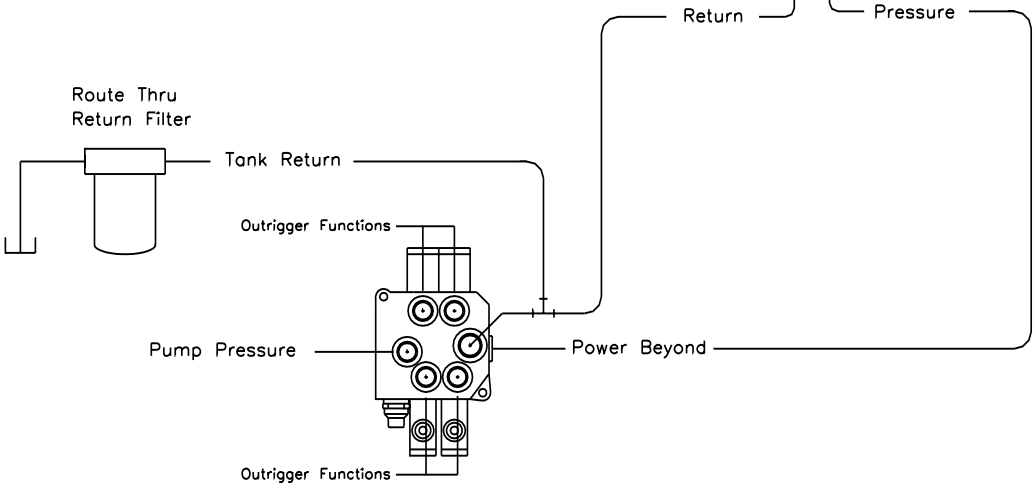
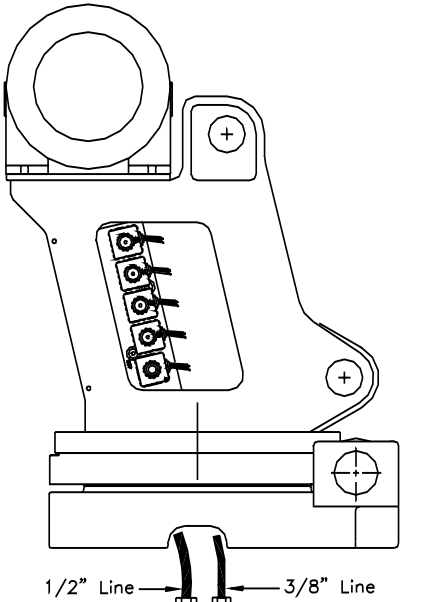
ITEM	PART	DESCRIPTION	QTY
1	25375	RELIEF VALVE 24957	1
	25376	SEAL KIT 25375	
2	25377	VALVE SOLND 3 POS 4 WAY TAND G02571	3
3	25378	VALVE SOLND 3 POS 4 WAY OPEN G02591	1
	25379	SEAL KIT 25377/25378	
4	25380	COIL 12VDC PACKARD MALE 24957	8

HYDRAULIC SCHEMATIC



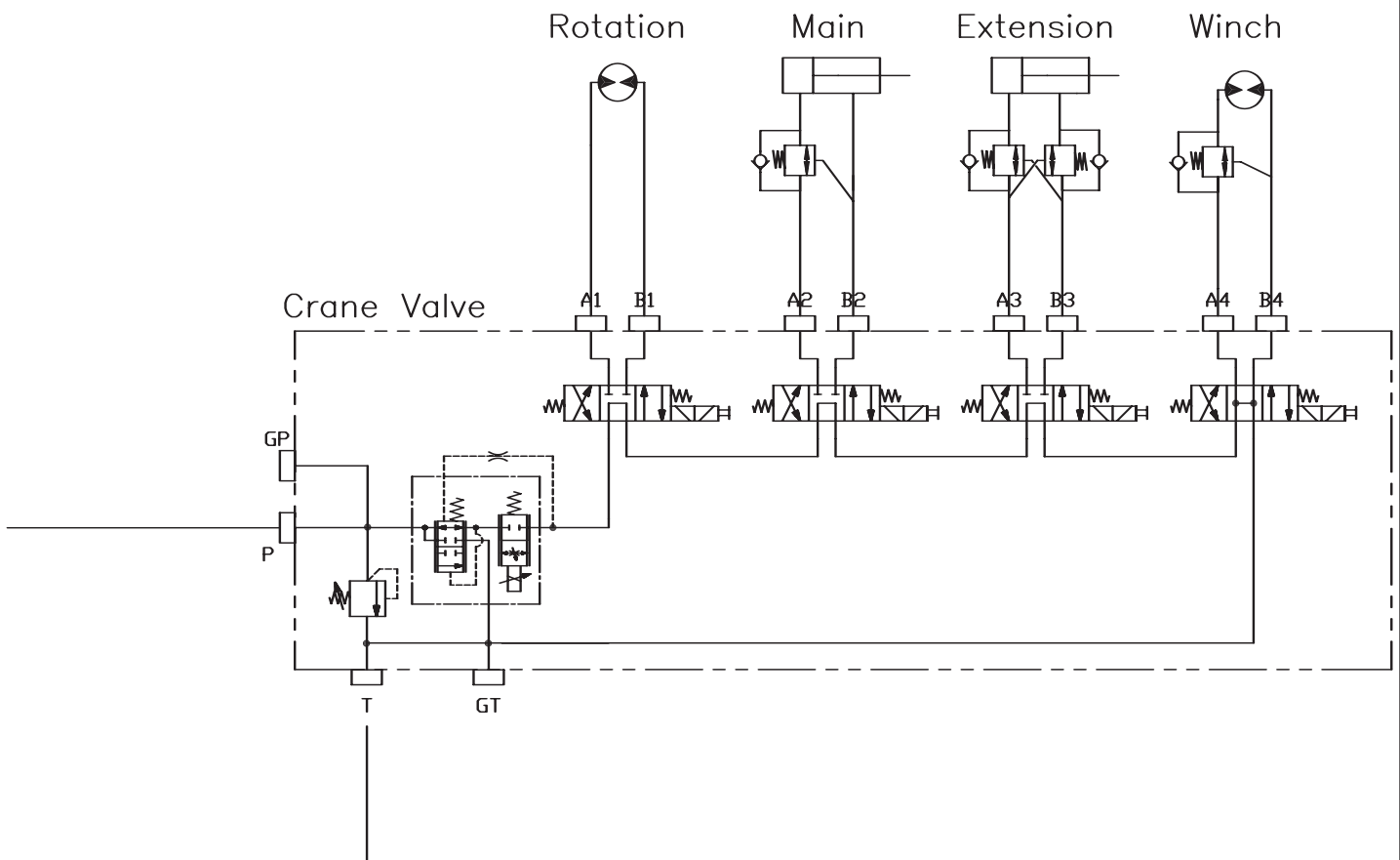
Hydraulic Installation

1. After mounting, locate the pressure and return lines. Note: Pressure line is 3/8" hose; Return line is 1/2" hose. Hoses are terminated using swivel fittings.
2. Install hydraulic lines per diagram below. Note: Outrigger valve supplies oil to crane using the Power Beyond feature.
3. Install hydraulic reservoir with return filter. Attach pump pressure line to valve, return link to tank.
4. Fill system with hydraulic oil (Mobil DTE-13M is recommended).



Typical Outrigger Valve with Power Beyond Capabilities

Hydraulic System



Chapter 9 - Replacement Parts

PART#	DESCRIPTION	QTY
D1204	HYDRAULIC SWING MOTOR	1
25375	RELIEF VALVE	1
25376	SEAL KIT - RELIEF VALVE	1
26196	FLOW CONTROL VALVE	1
25377	SOLENOID VALVE TAND G02571	1
25378	SOLENOID VALVE OPEN G02591	1
25379	SEAL KIT - SOLENOID VALVE	1
25380	COIL - 12VDC	2
15110	CHECK VALVE	1
13080	MANIFOLD ASM - MAIN CYLINDER	
9803	C-BALANCE VALVE	2
11991	PLUG - C-BALANCE	1
16154	MANIFOLD ASM - EXTENSION CYLINDER	1
3862	PRESSURE SWITCH	1
35652	SEAL KIT - MAIN LIFT CYLINDER	1
35653	SEAL KIT - EXTENSION CYLINDER	1
6397	HYD PRESSURE GUAGE	1
C2027	O'RING - # 4 FACE SEAL	4
C2028	O'RING - # 6 FACE SEAL	4
D1245	O'RING - # 4 SAE	4
D1246	O'RING - # 6 SAE	4
19363	TUBE ASM - MAIN CYLINDER	1
12158	TUBE ASM - EXTENSION CYLINDER	1
13575	TUBE ASM - EXTENSION CYLINDER	1
21810	BUSHING 1.50" X 0.75"	2
#0067	BUSHING 1.50" X "1.50	2
16067	BUSHING 1.50" X 1.00"	2
19496	WEAR PAD 0.88" X 1.38" RND	2
19457	WEAR PAD 0.25" X 1.38" RND	2
7403	PIN CAP .44 X 2.50 X .25	2
C6353	WASHER 0.38 FLAT GR8	4
9843	CAP SCR. 0.38-16 X 0.75"	4
11545	SHEAVE	1
11934	SHEAVE	1
9610	WIRE ROPE	1
12824	HITCH PIN 1.00" X 4.50"	1
C5629	HITCH PIN 0.50" X 5.50"	1
9263	PIN - QUICK RELEASE 0.38 X 3.00	1
11938	LIMIT SWITCH	1
11544	CORD REEL	1
20436	CONTOLLER HANDLE ASM.	
4422	PUSH BUTTON SWITCH - HANDLE ASM.	1
6394	TOGGLE SWITCH -MOMENTARY	2
18468	12V SOLENOID (12volt hydraulic system)	1
17771	PUSH BUTTON (12volt hydraulic system)	1
10709	SAFETY LATCH FOR 3 TON SWIVEL HOOK	1

Chapter 10 - Troubleshooting

This chapter will list a number of potential problems that may occur while operating the crane. Most problems are easily solved using the solutions portion of this chapter. If problems persist, please contact Customer Service at Stellar Industries 1-800-321-3741.

Problem: Crane will not operate.

Solutions:

- Make sure that the parking brake is engaged.
- Make sure that the PTO is engaged.
- Make sure that there is 12V power going to the radio receiver. If there is no power going to the receiver, trace back to the power source and check for a blown fuse or loose ground connection. Refer to radio remote troubleshooting guide at the end of this chapter.
- Make sure that the transmitter batteries are fully charged. (Rechargeable batteries are good for 11 months or 200 charges)
- Make sure that the hydraulic pump is operating at its rated flow or GPMs. Check the flow by using the flow meter to determine the GPMs. It is possible that the hydraulic pump is getting weak. If this is suspected, contact Stellar Customer Service.

Problem: Crane will operate manually but will not operate electrically.

Solutions:

- Make sure that there is 12V power going to the radio receiver. If there is no power going to the receiver, trace back to the power source and check for a blown fuse or loose ground connection. Refer to radio remote troubleshooting guide at the end of this chapter.
- Make sure that the parking brake is engaged.
- Make sure that the parking brake switch is working properly. Check the parking brake switch by performing a continuity test. If the switch is defective, simply replace it.

Problem: Not all crane functions operate using the radio remote transmitter or crane operates intermittently.

Solutions:

- Make sure that the toggle switch is working properly. If the switch is defective, simply replace it.
- Make sure that there is power going from the valve bank coil solenoid or to the function that will not operate. If no power is going to the coil solenoid, check wiring connections on wire harness plug connector for broken wires, loose connection or poor crimp. If power is going to the solenoid valve, it may not be opening to allow hydraulic oil to the function that is not operating. Remove stem valve, thoroughly clean, lubricate, and reinstall valve. Do not over tighten. If the valve will not close, simply replace it.

Problem: Two functions operate at the same time while only toggling one function.

Solutions:

- Make sure that the solenoid valves are all in the center position.
- Determine the function that is operating on its own. Check to see if there is power going to the solenoid valve from a function that should not be operating. If voltage is present at the solenoid valve without operating the function, the toggle switch has failed and is stuck in the "on" function. If no voltage is present, the solenoid valve may be partially open. Remove the stem valve, thoroughly clean, lubricate, and reinstall the valve. Do not over tighten. If valve will not close, simply replace it.

Problem: Winch brake will not hold.

Solutions:

- Check to see if the back pressure on the return line of the winch is greater than 50 psi. Try operating a function other than the winch. Operate the function both ways and then stop. Now operate the winch. If the brake still does not hold, contact Customer Service at Stellar.

Problem: Winch will not hold load.**Solutions:**

- Make sure that the object being lifted does not exceed the rated capacity of the winch. Refer to the capacity chart. If the object is within the rated capacity, reposition the truck and try to lift the object without using the crane boom extensions.
- Make sure that the relief valve on the winch is set correctly. Readjust the relief valve if necessary.

Problem: Cylinder drifts outward or downward.**Solutions:**

- Check to see if there is air in the hydraulic system. Operate all cylinders connected to the hydraulic system. Start with the extension cylinder, then operate the main boom, winch, rotation, and ending with the hydraulic outriggers, if installed. When operating, extend each cylinder halfway out, retract all the way in, and then extend until the cylinder rod is at the end of its stroke. Operate cylinders slowly so air is pushed thru the system to the reservoir. Repeat this cycle 2-3 times.
- Make sure the holding valves are operating properly. Remove, clean, and then inspect each holding valve. When removing a holding valve, always relieve the pressure inside the cylinder by loosening jam nut of the holding valve and turning set screw inward/clockwise. Count the number of turns until the set screw is seated. When reinstalling the holding valve, make sure the valve is reset by turning the set screw the number of turns it took to relieve the pressure. Finish by tightening the jam nut.
- Check the cylinder rod for scratches. If a scratch is located on the cylinder rod, hydraulic fluid can pass thru and cause a loss of pressure. Replace cylinder rod or cylinder.
- Check to see if the piston seals are damaged. If they show signs of damage, install a new cylinder seal kit.

Problem: Winch "Up", Main Cylinder "Down", and Extension Cylinder "Out" are the only functions that don't operate.**Solutions:**

- Make sure that the unit 2-block weight and chain on the end of the boom are straight so they slide easily along the wire rope cable.
- Make sure that the limit switch is working properly. Disconnect the two wires connected to the limit switch and tie them together. If all functions operate, replace the limit switch.
- Make sure that the cord for the cord reel is undamaged. Check the continuity of the cord. Disconnect the cord reel from the crane harness and bypass the harness connection. If the crane operates properly, replace cord reel.

Problem: Crane operates slowly.**Solutions:**

- Make sure that the crane is receiving the recommended GPMs to operate.
- Check the level of hydraulic fluid in the reservoir. Add fluid as needed.
- Check to see if the valve bank orifice is plugged. If so, replace the orifice. Call Stellar Customer Service for instructions.
- Make sure the solenoid valves are receiving power to the coils from the receiver. If there is not power going to the coils, check for loose power and ground connections. Inside the transmitter or replace the handle trigger assembly. If the proportional valve is receiving 12 volts, loosen the solenoid holding nut and check to see if the solenoid coil is magnetizing. If no polarity is present, replace the coil. If coil is magnetizing, remove the stem valve, thoroughly clean, lubricate, and reinstall the valve.

5 Function Hetric Radio Remote Troubleshooting

If the system does not operate after normal start-up, follow the recommended troubleshooting sequence to help isolate the cause and determine corrective action.

Transmitter

- Is the E-Stop pushbutton pulled out?
- Are all the switches in their center (neutral) position.
- Are the batteries in the transmitter fully charged?
- Is the transmitter inside its operating range?

Receiver

- Is the antenna plug securely connected?
- If there is an external antenna, is the antenna connection assembly outside the enclosure secure?
- Are the power supply and ground wires securely fastened?
- Are the signal wires separated from the power supply wires?

PROBLEM	PROBABLE CAUSE	CORRECTION
System will not operate after normal start-up procedure.	E-Stop switch engaged	Pull out E-Stop switch.
	Batteries fully discharged	Check batteries to ensure a full charge. Replace with new batteries if necessary.
	No power to the receiver	Check the diagnostic LED on the receiver to be sure power is applied. Ensure that the system is properly grounded.
Transmitter is transmitting (Power LED flashing), but crane will not respond	E-Stop switch engaged	Pull out the E-Stop push button and activated switch on transmitter.
	Transmitter out of range	Take the transmitter back into the range of the receiver.
	Receiver power off	Turn on power to receiver.
	E-Stop failure in transmitter	Check E-Stop pushbutton for damage. Check wiring to contact element for broken or disconnected wires. Repair or replace E-Stop push button or wiring.
All crane motions operate intermittently	Receiver antenna is loose or missing	Tighten or replace antenna.
	External antenna (if used) has loose connection, poor grounding or interference	Tighten antenna and ground connection.
	Ground wiring is poor. Conductor is too small, or receiver is grounded to chassis.	Ground wiring must be connected to machine power source ground. Minimum diameter of conductor ground is 12 AWG.
Some crane motions operate intermittently	Crane motion wiring may be loose.	Check wiring from receiver to plug and from plug to crane motion actuator.

Transmitter Troubleshooting

Notice: When testing the transmitter, the receiver may become active resulting in system operation. Always assume the system is working and will respond when testing a transmitter.

Status LED Troubleshooting

LED Indication	Possible Cause
LED is off	Transmitter is off
LED flashes	Transmitter is operating in a normal mode
LED will not light when any button is pushed, or LED remains on continuously	Replace batteries. If this does not correct the problem, the transmitter must be returned for repair.

Transmitter Repairs

Notice: The transmitter electronic components are exposed when the back of the case is removed. Take caution to prevent dirt or other contaminants from entering the case. Do not allow the circuit to be scraped or damaged in any way.

Receiver Troubleshooting

The following steps should be followed when troubleshooting the receiver.

1. Check the LED indicator. If it is not lit:
 - a. Make sure 12 VDC and ground is present at the connecting wires.
 - b. If using the AC power, check for AC power on the connecting wires.
 - c. If input power is present and the LED is off, check the fuse inside the receiver case.
 - d. If input power is present and the LED is off, and the fuse inside the receiver case is OK, contact Customer Service at Stellar Industries.
2. Activate the transmitter by pressing any command switch.
 - a. If the receiver LED does not flash, test the transmitter.
 - b. Verify the identity code is the same for the transmitter and receiver. use the learn button to re-program the receiver for the transmitter.
 - c. Contact Customer Service at Stellar Industries.
3. Only some functions are operating:
 - a. Check to make sure the common wires for the relays are connected properly. (See Installation drawings for details.
 - b. Check output voltage of the respective wires and the electrical circuits.
 - c. Check the fuses inside the receiver case.
 - d. Check the receiver label to verify the function has been programmed to the needs of the equipment.
4. You are experiencing intermittent operation:
 - a. Check antenna connections and antenna location.
 - b. On AC systems, ensure noise suppression devices have been placed across the coils of all contacts.
 - c. Ensure you are inside the operating range of the receiver and have line of sight to the receiver antenna.
5. Operating Range is short:
 - a. Check all antenna connections and transmitter operation.
 - b. On new installations, verify the receiver antenna is placed properly. If necessary, use an antenna mounting kit to relocate the antenna to a more favorable location.

Receiver Testing

LED Indication	Receiver Action
LED on continuous	Receiver operating voltage is present, no signal is being received.
LED flashes	Signal is being received that matches the decoders address.
LED goes off	Signal is being received, but address is wrong.



Limited Warranty Statement

Stellar Industries, Inc. (Stellar) warrants products designed and manufactured by Stellar to be free from defects in material and workmanship under proper use and maintenance. Products must be installed and operated in accordance with Stellar's written instructions and capacities. The warranty period shall cover the following:

Twelve (12) month warranty on parts from the date recorded by Stellar as the in-service date, not to extend beyond twenty-four (24) months from date of manufacture,

Twelve (12) month repair labor from the date recorded by Stellar as the in-service date, not to extend beyond twenty-four (24) month from date of manufacture, and

Thirty-six (36) month warranty on all Stellar Crane and Hooklift structural parts from the date recorded by Stellar as the in-service date, not to extend beyond forty-eight (48) months from date of manufacture.

The in-service date will be derived from the completed warranty registration card. In the event a warranty registration card is not received by Stellar, the factory ship date will be used.

Stellar's obligation under this warranty is limited to, and the sole remedy for any such defect shall be, the repair and/or replacement (at Stellar's option) of the unaltered part and/or component in question. Stellar after-sales service personnel must be notified by telephone, fax, or letter of any warranty-applicable damage within fourteen (14) days of its occurrence. If at all possible, Stellar will ship the replacement part within 24-hours of notification by the most economical, yet expedient, means possible. Expedited freight delivery will be at the expense of the owner.

Warranty claims must be submitted and shall be processed in accordance with Stellar's established warranty claim procedure. Stellar after-sales service personnel must be contacted prior to any warranty claim. A return materials authorization (RMA) account number must be issued to the claiming party prior to the return of any warranty parts. Parts returned without prior authorization will not be recognized for warranty consideration. All damaged parts must be returned to Stellar freight prepaid; freight collect returns will be refused. Freight reimbursement of returned parts will be considered as part of the warranty claim.

Warranty service will be performed by any Stellar new equipment distributor, or by any Stellar-recognized service center authorized to service the type of product involved, or by the Stellar factory in the event of a direct sale. At the time of requesting warranty service, the owner must present evidence of date of delivery of the product. The owner shall be obligated to pay for any overtime labor requested of the servicing company by the owner, any field service call charges, and any towing and/or transportation charges associated with moving the equipment to the designated repair/service provider.

All obligations of Stellar and its authorized dealers and service providers shall be voided if someone other than an authorized Stellar dealer provides other than routine maintenance service without prior written approval from Stellar. In the case repair work is performed on a Stellar-manufactured product, original Stellar parts must be used to keep the warranty in force. The warranty may also be voided if the product is modified or altered in any way not approved, in writing, by Stellar.

The owner/operator is responsible for furnishing proof of the date of original purchase of the Stellar product in question. Warranty registration is the ultimate responsibility of the owner and may be accomplished by the completion and return of the Stellar product registration card provided with the product. If the owner is not sure of registration, he is encouraged to contact Stellar at the address below to confirm registration of the product in question. This warranty covers only defective material and workmanship. It does not cover depreciation or damage caused by normal wear and tear, accident, mishap, untrained operators, or improper or unintended use. The owner has the obligation of performing routine care and maintenance duties as stated in Stellar's written instructions, recommendations, and specifications. Any damage resulting from owner/operator failure to perform such duties shall void the coverage of this warranty. The owner will pay the cost of labor and supplies associated with routine maintenance.

The only remedies the owner has in connection with the breach or performance of any warranty on the Stellar product specified are those set above. In no event will Stellar, the Stellar distributor/dealer, or any company affiliated with Stellar be liable for business interruptions, costs of delay, or for any special, indirect, incidental, or consequential costs or damages. Such costs may include, but are not limited to, loss of time, loss of revenue, loss of use, wages, salaries, commissions, lodging, meals, towing, hydraulic fluid, or any other incidental cost.

All products purchased by Stellar from outside vendors shall be covered by the warranty offered by that respective manufacturer only. Stellar does not participate in, or obligate itself to, any such warranty.

Stellar reserves the right to make changes in design or improvement upon its products without imposing upon itself the same upon its products theretofore manufactured.

This warranty will apply to all Stellar Hooklifts, Stellar Service Trucks, & Truck-mounted Cranes shipped from Stellar's factory after July 1, 2005. The warranty is for the use of the original owner only and is not transferable without prior written permission from Stellar.

THIS WARRANTY IS EXPRESSLY IN LIEU OF ANY OTHER WARRANTIES, EXPRESS OR IMPLIED, INCLUDING ANY WARRANTY OF MERCHANTABILITY OR FITNESS FOR A PARTICULAR PURPOSE. REMEDIES UNDER THIS WARRANTY ARE LIMITED TO THE PROVISION OF MATERIAL AND SERVICES, AS SPECIFIED HEREIN. STELLAR INDUSTRIES, INC. IS NOT RESPONSIBLE FOR INCIDENTAL OR CONSEQUENTIAL DAMAGES.

Revision Date: February 2007

Document Number: 37040