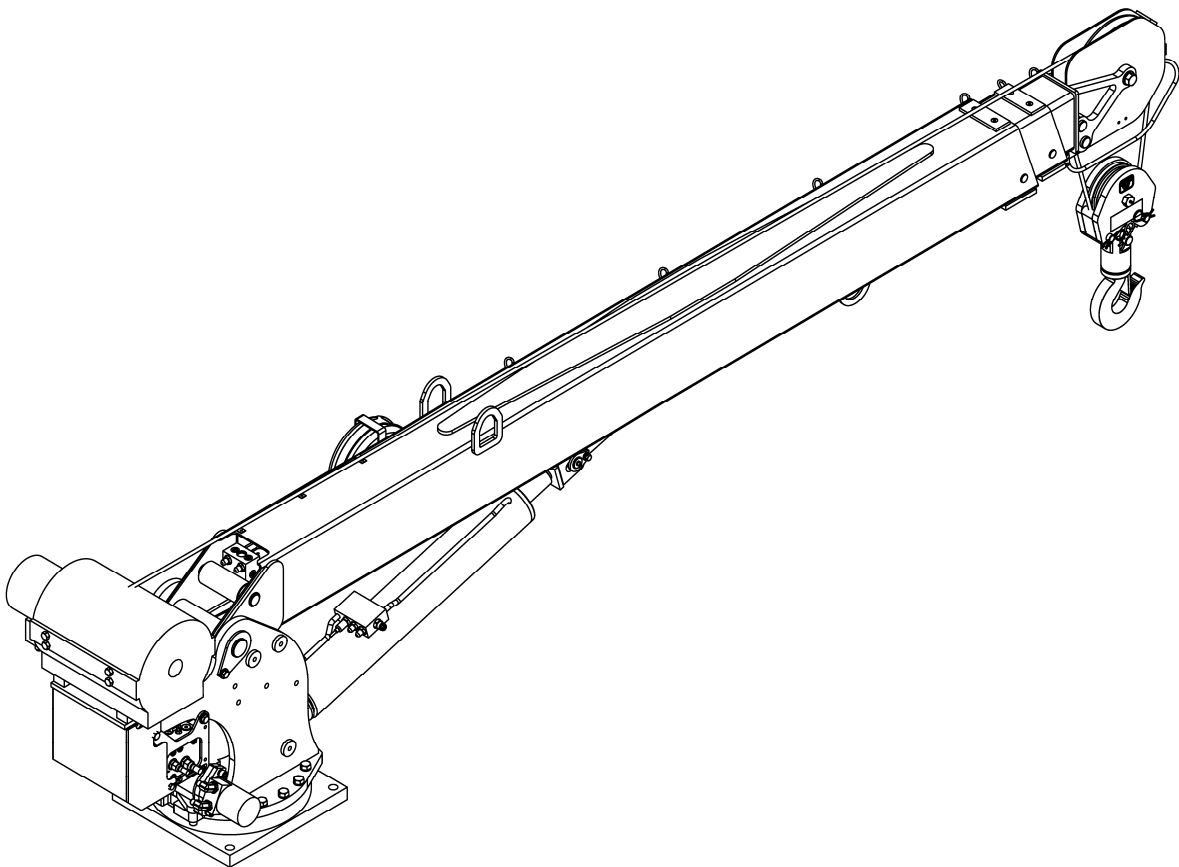




8406H

OWNERS MANUAL

Manual No. 480988010
Rev. 08/08/08



Serial No. _____

Mailing Address:
P.O. Box 580697
Tulsa, OK 74158-0697
Physical Address:
4707 N. Mingo Rd.
Tulsa, OK 74117-5904

Phone (918) 836-0463
Fax (918) 834-5979
<http://www.autocrane.com>



Auto Crane Warranty Registration

Fax Transmission

To: Warranty Department Fax: (918) 834-5979
 From: _____ Date: _____
 Re: Product Registration Pages: _____

End User Information: (Required for Warranty Activation)

Name: _____ Phone: _____
 Address: _____
 City: _____ State: _____ Zip: _____
 Contact: _____ E-mail Address: _____

Distributor Information: (Required for Warranty Activation)

Name: _____
 Address: _____
 City: _____ State: _____ Zip: _____
 Contact: _____ E-mail Address: _____

Product Information: (Required for Warranty Activation)

Model No.: _____ Serial No.: _____
 Date Product Delivered: _____ Date Processed:* _____
 VIN # _____ * For Auto Crane use only

ONE REGISTRATION FORM PER UNIT (CRANE OR BODY)

Registration form must be mailed or faxed within 15 days of customer installation.

Mail to:
 Warranty Department
 Auto Crane Company
 P.O. Box 581510
 Tulsa, OK 74158-0697

8406H
OWNER'S MANUAL REVISION RECORD

| Revision Date | Section(s) Or Page(s) | Description of Change |
|---------------|-----------------------------|-----------------------|
| 08/08/08 | All | Manual Creation |
| | | |
| | | |
| | | |
| | | |
| | | |
| | | |
| | | |
| | | |
| | | |
| | | |
| | | |

Notes:

1. The information contained in this manual is in effect at the time of this printing. It does not cover all instructions, configurations, accessories, etc. If you require additional information, please contact **Auto Crane Company** at **(918) 836-0463**.
2. **Auto Crane Company** reserves the right to update this material without notice or obligation.

WARNINGS

WARNING! Federal law (49 cfr part 571) requires that the Final Stage Manufacturer of a vehicle certify that the vehicle complies with all applicable federal regulations. Any modifications performed on the vehicle prior to the final state are also considered intermediate stage manufacturing and must be certified as to compliance. The installer of this crane and body is considered one of the manufacturers of the vehicle. As such a manufacturer, the installer is responsible for compliance with all applicable federal and state regulations, and is required to certify that the vehicle is in compliance.

WARNING! It is the further responsibility of the installer to comply with the OSHA Truck Crane Stability Requirements as specified by 29 CFR part 1910.180 (C) (1).

WARNING! NEVER OPERATE THE CRANE NEAR ELECTRICAL POWER LINES!

Death or serious injury will result from boom, line, or load contacting electric lines. Do not use crane within 10 feet (3.05m) of electric power lines carrying up to 50,000 volts. One-foot additional clearance is required for every additional 30,000 volts or less. **SEE DANGER DECAL (P/N 040529)** in this Owner's Manual.

WARNING! NEVER.....

- ◆ **EXCEED** load chart capacities (centerline of rotation to hoist hook).
- ◆ Un-reel last 5 wraps of cable from drum!
- ◆ Wrap cable around load!
- ◆ Attempt to lift or drag a load from the side! The boom can fail far below its rated capacity.
- ◆ Weld, modify, or use unauthorized components on any Auto Crane unit! This will void any warranty or liability. Also failure of the crane may result.
- ◆ Place a chain link on the tip of the hook and try to lift a load!
- ◆ Use a sling bar or anything larger than the hook throat that could prevent the hook latch from closing, thus negating the safety feature!
- ◆ Hold on any pendant Select Switch that will cause unsafe operating conditions!

WARNING! In using a hook with latch, **ALWAYS** make sure that the hook throat is closed before lifting a load! Proper attention and common sense applied to the use of the hoist hook and various slings will prevent possible damage to material being hoisted and may prevent injury to personnel.

WARNING! Failure to correctly plumb and wire crane can cause inadvertent operation and damage to crane and/or personnel!

WARNING! Auto Crane Company remote controlled cranes are not designed or intended for use for any applications involving the lifting or moving of personnel.

WARNING! ALWAYS operate the crane in compliance with the load capacity chart. **DO NOT USE** the overload shutdown device to determine maximum rated loads, if the crane is equipped with this type of device.

READ THIS PAGE

8406H

TABLE OF CONTENTS

| | |
|--------------------------------------|--------|
| INTRODUCTION | 1-1.0 |
| GENERAL SPECIFICATIONS | 1-3.0 |
| SAFETY TIPS AND PRECAUTIONS | 2-1.0 |
| OPERATING PRACTICES & WARNINGS | 2-3.0 |
| QUALIFICATIONS FOR OPERATORS | 2-4.0 |
| OPERATION OF UNIT / OUTRIGGERS | 2-7.0 |
| INSPECTION | 3-1.0 |
| TESTING | 3-4.0 |
| MAINTENANCE | 3-5.0 |
| BATTERIES | 3-7.0 |
| LUBRICATION AND MAINTENANCE SCHEDULE | 3-9.0 |
| SAFETY DECAL SECTION | 4-1.0 |
| GENERAL DIMENSIONS | 5-1.0 |
| MOUNTING AND INSTALLATION | 5-2.0 |
| GENERAL ASSEMBLY, HARDWIRED | 6-1.0 |
| PEDESTAL ASSEMBLY, HARDWIRED | 6-3.0 |
| BOOM ASSEMBLY | 6-7.0 |
| ROTATION GEARBOX | 6-9.0 |
| HOIST ASSEMBLY | 6-11.0 |
| TRAVELING BLOCK ASSEMBLY | 6-14.0 |
| ELECTRICAL SECTION, HARDWIRED | 7-1.0 |
| MAIN WIRING HARNESS | 7-2.0 |
| JUNCTION BOX | 7-3.0 |
| PENDANT ASSEMBLY | 7-5.0 |
| PENDANT CABLE ASSEMBLY | 7-7.0 |
| HYDRAULIC SECTION | 8-1.0 |

8406H

TABLE OF CONTENTS

| | |
|------------------------------------|-----------|
| GENERAL ASSEMBLY, FM | 9-1.0 |
| PEDESTAL ASSEMBLY, FM | 9-3.0 |
| ELECTRICAL SECTION, FM | 10-1.0 |
| FM CONTROL USE & CARE | 10-4.0 |
| TRANSMITTER ASSEMBLY, FM | 10-6.0 |
| DIAGNOSTICS, FM | 10-9.0 |
| TROUBLESHOOTING, FM | 10-11.0 |
| CALIBRATING PROPORTIONAL VALVE, FM | 10-14.0 |
| ID CODE PROGRAMMING | 10-15.0 |
| LOAD CHART | 12-1.0 |
| WARRANTY | LAST PAGE |

8406H

INTRODUCTION

Auto Crane products are designed to provide many years of safe, trouble-free, dependable service when properly used and maintained.

To assist you in obtaining the best service from your crane and to avoid untimely crane and/or vehicle failure, this manual provides the following operating and service instructions. It is specifically recommended that all operating and service personnel consider this manual as mandatory material for reading and study before operating or servicing Auto Crane products. It is highly recommended that crane owners, equipment managers, and supervisors also read this manual.

Auto Crane has incorporated several safety features in the 8406H crane for your protection.

For your convenience the overall dimensions of the 8406H crane are included on the General Dimension Drawing. Rotation and turning radius are also listed on that drawing.

Remember, the crane adds weight to the vehicle. Adding weight may change the driving and riding characteristics of the vehicle unless the appropriate overload spring(s) are installed on the truck. The payload of the vehicle is reduced by the weight of the crane. The operator should exercise care when loading the vehicle. Distributing the payload on the vehicle evenly will greatly improve the driving and riding characteristics of the vehicle.

Auto Crane Company issues a limited warranty certificate with each unit sold. See last page for warranty.

The 8406H cranes are attached to your 12-volt truck electrical system through the relay provided. The 8406H is another highly efficient Auto Crane product. The use of a maintenance-free battery is not recommended on any Auto Crane product. The recommended alternator and battery that will give the longest life with the most useful duty cycle is a 60-amp

alternator with a 500 cold cranking amp battery. These specifications should be considered minimum.

It has always been Auto Crane Company policy to handle all warranty claims we receive as promptly as possible. If a warranty claim involves discrepant material or workmanship, Auto Crane will take immediate corrective action. It is understandable that Auto Crane Company cannot assume responsibility of liability when it is obvious that our products have been abused, misused, overloaded or otherwise damaged by inexperienced persons trying to operate the equipment without reading the manual.

Auto Crane will not assume responsibility or liability for any modifications or changes made to unit, or installation of component parts without authorization.

Auto Crane maintains a strong distributor network and a knowledgeable Customer Service Department. In most cases, an equipment problem is solved via phone conversation with our customer service department. The customer service department also has the ability to bring a local distributor, a regional sales manager, or a factory serviceman into the solution of an equipment problem.

If, through no fault of Auto Crane Company, it is necessary to send an experienced factory serviceman on a field service call the rates stated in the Auto Crane Distributor's Flat Rate Manual will apply.

Auto Crane Company's extensive Research and Development Program allow our customers to use the best equipment on the market. Our Engineering Staff and our knowledgeable sales people are always available to our customers in solving crane and winch-type application problems. When in doubt, call the Auto Crane factory.

Note: This manual should remain with the crane at all times.

8406H INTRODUCTION

DISTRIBUTOR ASSISTANCE:

Should you require any assistance not given in this manual, we recommend that you consult your nearest Auto Crane Distributor. Our distributors sell authorized parts and have service departments that can solve almost any needed repair. This manual does not cover all maintenance, operating, or repair instructions pertinent to all possible situations. **If you require additional information, please contact the Auto Crane Company at the following telephone number: (918) 836-0463.** The information contained in the manual is in effect at the time of this printing. Auto Crane Company reserves the right to update this material without notice or obligation.

8406H

GENERAL SPECIFICATIONS

DIMENSIONS

Width: 23.07 in (0.59 m)

Height: 32.41 in (0.82 m)

Length: 13 ft 0-1/3 in (3.97 m)
[Boom(s) stored]

Weight:
1555 lbs (759 kg)

CAPACITY

50,000 ft-lbs (6.91 ton-m)
[ft-lbs = horizontal distance from centerline of rotation to free hanging weight (feet) x amount of weight (pounds)]

| LIFTING CAPACITIES | | | |
|---------------------------|-------|----|-------|
| ft | lbs | ft | lbs |
| 3 | 8,400 | 12 | 4,166 |
| 4 | 8,400 | 13 | 3,846 |
| 5 | 8,400 | 14 | 3,571 |
| 6 | 8,333 | 15 | 3,333 |
| 7 | 7,143 | 16 | 3,125 |
| 8 | 6,250 | 17 | 2,941 |
| 9 | 5,555 | 18 | 2,777 |
| 10 | 5,000 | 19 | 2,631 |
| 11 | 4,545 | 20 | 2,500 |

REACH

Second boom will reach from 10 feet 6 inches to 16 feet 6 inches.
Third boom will reach from 16 feet 6 inches to 20 feet 6 inches.

CABLE

95 ft (28.9 m) of 3/8 in (9.5 mm) diameter aircraft quality cable. This cable has a single line breaking strength of 14,700 lbs (6,667.8 kg).

CHASSIS REQUIREMENTS

20,500 lbs (9,298 kg) GVWR minimum
510,000 in-lbs RBM

ELECTRICAL SYSTEM REQUIREMENTS

Voltage: 12 VDC

Alternator: 60 amps (minimum)

Battery: 100 minute reserve capacity (minimum)
Maintenance type

ROTATION

370° Rotation with electric stop.

--- IMPORTANT ---

SAFETY TIPS AND PRECAUTIONS

1. No unqualified or unauthorized person shall be allowed to operate the crane.
2. **WARNING:** Never weld, modify, or use unauthorized components / parts on any Auto Crane unit. This will void any warranty or liability. Also, failure of the crane may result.
3. Make certain the vehicle meets minimum chassis requirements. (These requirements do not guarantee unit stability.)
4. Make certain the crane is installed per factory specifications. Contact your local distributor or the Auto Crane factory if any questions arise.
5. Visual inspections and tests should be conducted at the beginning of each shift each day to insure that the crane and all its operating systems are in good condition and working order before it is used.
6. Inspect hydraulic hoses frequently for signs of deterioration, and replace them as required.
7. If a hydraulic break occurs, leave the area of the break and do not attempt to stop the break by hand as the hydraulic oil may be hot and under high pressure which can cause serious injury. Shut the system down as soon as possible.
8. Check the hook at least every thirty days for distortions or cracks and replace it as required.
9. Oil gears as required.
10. Stop all operations when cleaning, adjusting or lubricating the machine.
11. Keep dirt and grit out of moving parts by keeping crane clean. Make sure machine is free of excess oil, grease, mud and rubbish, thus reducing accidents and fire hazards.
12. When a new cable is installed, operate first with a light load to let the cable adjust itself.
13. Locate the vehicle at the work site for the best stability possible.
14. Keep the vehicle in a level position while loading or unloading.
15. Observe operating area for obstructions and/or power lines that might be a hazard.
16. **WARNING: NEVER OPERATE THE CRANE NEAR ELECTRICAL POWER LINES.** Auto Crane Company recommends that the crane never be any closer to a power line (including telephone lines) than 10 feet at any point.
17. Allow the vehicle engine to warm up before operating crane.
18. Know the weight of your rigging and load to avoid overloading the crane.
19. Deduct the weight of the load handling equipment from the load rating to determine how much weight can be lifted.
20. All load ratings are based on crane capacity, NOT the vehicle stability. Remember in lifting a heavy load, the weight can create enough tipping moment to overturn the vehicle
21. Always comply with load chart capacities, (centerline of rotation to hook).
22. Secure all loads before lifting.
23. Always set the emergency brake before beginning operation.
24. Keep objects and personnel clear of crane path during operation.
25. Operate control levers slowly and smoothly in order to meter oil flow for safe operation.
26. Always extend the outriggers from vehicle to the ground before crane operation. Insure that they are firmly positioned on solid footings. Stand clear of outriggers while they are being extended.
27. If any outrigger, when extended, rests on a curb or other object that prevents it from extending to its maximum distance, shorten bearing or fulcrum point and reduce the maximum load accordingly.
28. When an outrigger will not reach the ground due to holes or grades, it shall be blocked up to provide level and firm support for the truck.
29. When working in soft earth, use wide pads under outrigger feet to prevent sinking.
30. Always store outriggers before transportation.

WARNING!

Auto Crane Company cranes are not designed or intended for use in lifting or moving persons. Any such use shall be considered to be improper and the seller shall not be responsible for any claims arising there from. This sale is made with the express understanding that there is no warranty that the goods shall be fit for the purpose of lifting or moving persons or other improper use and there is no implied warranty or responsibility for such purposes.

--- IMPORTANT ---

SAFETY TIPS AND PRECAUTIONS

31. Always store the crane in its stowed position for transportation.
32. Remember the overall height of the entire unit for garage door clearance or when moving under objects with low overhead clearance
33. Disengage power takeoff (PTO) before moving the vehicle.
34. Always walk around the vehicle before moving.
35. Never drive with a load suspended from crane.
36. Do not take your eyes off a moving load. Look in the direction you are moving.
37. Never swing a load over people.
38. Do not stop the load sharply in midair so that it swings like a pendulum. Meter the control levers to avoid this situation.
39. Crane boom length should be kept as short as possible for maximum lifting capacity and greater safety. Longer booms require additional care in accelerating and decelerating the swing motion, and thus slow down the working cycle and reduce productivity.
40. Keep the load directly and vertically under the boom point at all times. Crane booms are designed to handle vertical loads, not side lifts.
WARNING: Never attempt to lift, drag, tow or pull a load from the side. The boom can fail far below its rated capacity.
41. Do not push down on anything with boom extensions; similarly do not lift anything with boom extensions.
42. Do not lift personnel with any wire rope attachment or hook. There is no implied warranty or responsibility for such purposes.
43. **WARNING:** In using a safety hook, ALWAYS close the hook throat before lifting a load. Proper attention and common sense applied to the use of the hook and various slings will prevent possible damage to material being hoisted and may prevent injury to personnel.
44. **WARNING:** Never place a chain link on the tip of the hook and try to lift a load with the hoist.
45. **WARNING:** Never use a sling bar or anything larger than the hook throat which could prevent the safety latch from closing, thus negating the safety feature.
46. Do not wrap the wire rope around sharp objects when using winch.
47. **WARNING:** Never unreel last 5 wraps of cable from drum.

--- IMPORTANT --- OPERATING PRACTICES AND WARNINGS

1. Make certain the vehicle meets minimum chassis requirements. (These requirements do not guarantee unit stability)
2. Make certain the crane is installed per factory specifications. Contact your local Distributor or the Auto Crane factory if any questions arise.
3. Keep the vehicle in as level a position as possible while loading or unloading.
4. **ALWAYS** set the vehicle emergency brake before beginning crane operations.
5. **ALWAYS** use outriggers from vehicle to the ground during crane operation. Make sure they are firmly positioned on solid footings.
6. All load ratings are based on crane capacity, **NOT** truck/crane stability.
7. Keep objects and personnel clear of crane path during operation.
8. Keep hoist cable pulled tight at all times.
9. **REMEMBER**, in lifting a heavy load, the weight can create enough tipping momentum to overturn the vehicle.
10. **ALWAYS** keep load as close to ground as possible.
11. Hydraulic hoses need to be inspected frequently for signs of deterioration, and be replaced as required.
12. The hoist hook is an important item that an operator should consider and use properly. It should be checked on a daily basis for distortion or cracks.
13. **ALWAYS** store outriggers before road travel.
14. **WARNING! NEVER OPERATE THE CRANE NEAR ELECTRICAL POWER LINES!** Death or serious injury will result from boom, line, or load contacting electric lines. Do not use crane within 10 feet (3.05m) of electric power lines carrying up to 50,000 volts. One foot additional clearance is required for every additional 30,000 volts or less.
15. **WARNING! NEVER EXCEED** load chart capacities (centerline of rotation to hoist hook).
16. **WARNING! NEVER** un-reel last 5 wraps of cable from drum!
17. **WARNING! NEVER** wrap cable around load!
18. **WARNING! NEVER** attempt to lift or drag a load from the side! The boom can fail far below its rated capacity.
19. **WARNING! NEVER** weld, modify, or use unauthorized components on any Auto Crane unit! This will void any warranty or liability. Also failure of the crane may result.
20. **WARNING! NEVER** place a chain link on the tip of the hook and try to lift a load!
21. **WARNING! NEVER** use a sling bar or anything larger than the hook throat that could prevent the hook latch from closing, thus negating the safety feature!
22. **WARNING!** In using a hook with latch, **ALWAYS** insure that the hook throat is closed before lifting a load! Proper attention and common sense applied to the use of the hoist hook and various slings will prevent possible damage to material being hoisted and may prevent injury to personnel.
WARNING! NEVER hold any Control Select Switch on that will cause unsafe operating conditions!

WARNING!

Auto Crane Company remote controlled, stiff boom cranes are not designed or intended to be used for any applications involving the lifting or moving of personnel.

QUALIFICATIONS FOR AND CONDUCT OF OPERATORS AND OPERATING PRACTICES

REFERENCE ASME B30.5a AND OSHA 1910.180 FOR COMPLETE QUALIFICATION REQUIREMENTS

OPERATORS

1. Crane operation shall be limited to personnel with the following minimum qualifications:
 - A. Designated persons.
 - B. Trainees under the direct supervision of a designated person.
 - C. Maintenance and test personnel (when it is necessary in the performance of their duties).
 - D. Inspectors (crane).
2. No one other than the personnel specified above shall enter the operating area of a crane with the exception of persons such as oilers, supervisors, and those specified persons authorized by supervisors whose duties require them to do so and then only in the performance of their duties and with the knowledge of the operator or other persons.

QUALIFICATIONS FOR OPERATORS

1. Operators shall be required by the employer to pass a practical operating examination. Qualifications shall be limited to the specific type of equipment for which examined.
2. Operators and operator trainees shall meet the following physical qualifications:
 - A. Vision of at least 20/30 Snellen in one eye and 20/50 in the other, with or without corrective lenses.
 - B. Ability to distinguish colors, regardless of position, if color differentiation is required for operation.
 - C. Adequate hearing with or without hearing aid for the specific operation.
3. Evidence of physical defects or emotional instability, which render a hazard to operator or others, which in the opinion of the examiner could interfere with the operator's performance, may be sufficient cause for disqualification. In such cases, specialized clinical or medical judgment and tests may be required.
4. Evidence that operator is subject to seizures or loss of physical control shall be sufficient reason for disqualification. Specialized medical

tests may be required to determine these conditions.

5. Operators and operator trainees should have normal depth perception, coordination, and no tendencies to dizziness or similar undesirable characteristics.
6. In addition to the above listed requirements, the operator shall:
 - A. Demonstrate the ability to comprehend and interpret all labels, operator's manuals, safety codes, and other information pertinent to correct crane operations.
 - B. Posses the knowledge of emergency procedures and implement it.
 - C. Demonstrate to the employer the ability to operate the specific type of equipment.
 - D. Be familiar with the applicable safety regulations.
 - E. Understand the operating procedures as outlined by the manufacturer.
 - F. Be thoroughly familiar with the crane and its control functions.
 - G. Understand the operating procedures as outlined by the manufacturer.

CONDUCT OF OPERATORS

1. The operator shall not engage in any practice, which will divert his attention while actually operating the crane.
2. Each operator shall be responsible for those operations under the operator's direct control. Whenever there is any doubt as to safety, the operator shall consult with the supervisor before handling the loads.
3. The operator should not leave a suspended load unattended unless specific precautions have been instituted and are in place.
4. If there is a warning sign on the switch or engine starting controls, the operator shall not close the switch or start the engine until the warning sign has been removed by the appointed person.
5. Before closing the switch or starting the engine, the operator shall see that all controls are in the "OFF"

QUALIFICATIONS FOR AND CONDUCT OF OPERATORS AND OPERATING PRACTICES

- or neutral position and all personnel are in the clear.
6. If power fails during operation, the operator shall:
 - A. Move power controls to the "OFF" or neutral position.
 - B. Land the suspended load and boom, if practical.
 7. The operator shall be familiar with the equipment and its proper care. If adjustments or repairs are necessary, the operator shall report the same promptly to the appointed person, and shall also notify the next operator.
 8. The operator at the start of each shift shall test all controls. If any controls do not operate properly, they shall be adjusted or repaired before operations are begun.
 9. Stabilizers shall be visible to the operator while extending or setting unless a signal person assists operator.
- C. Means are provided to hold the vehicle stationary while operating the crane.
 - D. Before starting to lift, the hook shall be positioned over the load in such a manner as to minimize swinging.
 - E. During lifting care shall be taken that:
 1. There is no sudden acceleration or deceleration of the moving load.
 2. Load, boom or other parts of the crane do not contact any obstruction.
 - F. Cranes shall not be used for dragging loads sideways.
 - G. This standard recognizes that telescopic boom cranes are designed and intended for handling materials. They do not meet personnel lift or elevator requirements. Therefore, no lifting, lowering, swinging or traveling shall be done while a person is on the hook or load. Hook attached suspended work platforms (baskets) shall not be used with cranes covered by this standard. Crane manufacturer must approve work platforms attached to the boom.
 - H. The operator should avoid carrying loads over people.
 - I. When the crane is so equipped, the stabilizers shall be fully extended and set. Blocking under stabilizers shall meet the requirements as follows:
 1. Strong enough to prevent crushing.
 2. Of such thickness, width and length as to completely support the stabilizer pad.
 - J. Firm footing under all tires, or individual stabilizer pads should be level. Where such a footing is not otherwise supplied, timbers, cribbing, or other structural members to distribute the load so as to not exceed allowable bearing capacity or the underlying material should provide it.
 - K. In transit, the boom shall be carried in stowed position.
 - L. When rotating the crane, sudden starts and stops shall be avoided. Rotational speed shall be such that the load does not swing out beyond the radius at which it can be controlled.
 - M. The crane shall not be transported with a load on the hook unless recommended by the manufacturer.

OPERATING PRACTICES/HANDLING THE LOAD

1. Size of load.
 - A. No crane shall be loaded beyond the rated load except for test purposes.
 - B. The load to be lifted is to be within the rated load of the crane and its existing configuration.
 - C. When loads that are not accurately known are to be lifted, the person responsible for the job shall ascertain that the weight of the load does not exceed the crane rated load at the radius at which the load is to be lifted.
2. Attaching the load.
 - A. The load shall be attached to the hook by means of slings or other devices of sufficient capacity.
 - B. Hoist rope shall not be wrapped around the load.
3. Moving the load.

The operator shall determine that:

 - A. The crane is level and, where necessary, the vehicle/carrier is blocked properly.
 - B. The load is well secured and balanced in the sling or lifting device before it is lifted more than a few inches.

QUALIFICATIONS FOR AND CONDUCT OF OPERATORS AND OPERATING PRACTICES

N. No person should be permitted to stand or pass under a suspended load.

4. Stowing procedure.

Follow the manufacturer's procedure and sequence when stowing and un-stowing the crane.

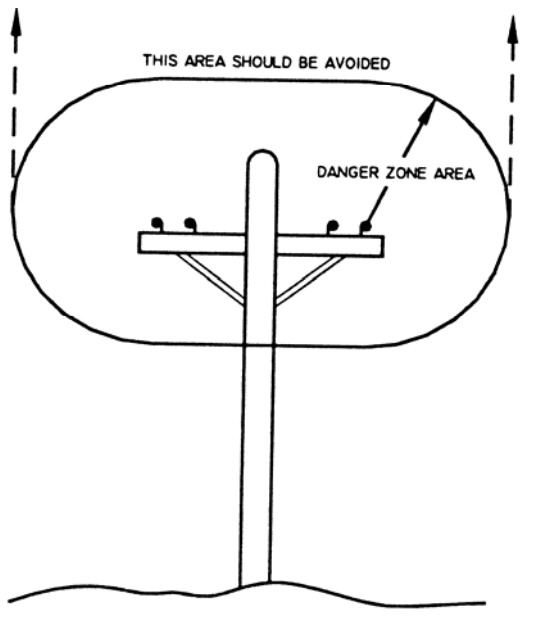
3. Caution shall be exercised when working near overhead lines, because they can move horizontally or vertically due to wind, moving the danger zone to new positions.

4. In transit with no load and boom lowered the clearance shall be specified in Table 1.

5. A qualified signalperson shall be assigned to observe the clearance and give warning before approaching the above limits.

MISCELLANEOUS

OPERATING NEAR ELECTRICAL POWER LINES



1. Cranes shall be operated so that no part of the crane or load enters into the danger zone shown above.

EXCEPTIONS

A. The danger zone may be entered after confirmation by an appointed person that the electrical distribution and transmission lines have been de-energized and visibly grounded at the point of work; or

B. The danger zone may be entered if insulating barriers (not a part of nor an attachment to the crane) have been erected to prevent physical contact with the lines.

2. For lines rated 50 kV or below, minimum clearance between the lines and any part of the crane or load (including handling appendages) shall be 10-ft. (3m). For higher voltages, see Table 1.

A. Any overhead wire shall be considered to be an energized line unless and until the person owning such line or the electrical utility authorities verify that it is not an energized line.

B. Exceptions to this procedure are allowed, if approved by the administrative or regulatory authority provided the alternate procedure insures equivalent protection and is set forth in writing.

C. Durable signs shall be installed at the operator's station and on the outside of the crane, warning that electrocution or serious bodily injury may occur unless a minimum clearance of 10 ft. (3.0m) between the crane or the load being handled and energized power lines. Greater clearances are required because of higher voltage as stated above. These signs shall be revised but not removed when local jurisdiction requires greater clearances.

TABLE 1

| normal voltage, kV (phase to phase) | | minimum required clearance | |
|---|-------------|-------------------------------|---------|
| | | ft | (m) |
| <u>when operating near high voltage power lines</u> | | | |
| over | to 50 | 10 | (3.50) |
| over | 50 to 200 | 15 | (4.6) |
| over | 200 to 350 | 20 | (6.1) |
| over | 350 to 500 | 25 | (7.62) |
| over | 500 to 750 | 35 | (10.67) |
| over | 750 to 1000 | 45 | (13.72) |
| <u>while in transit with no load and boom lowered</u> | | | |
| over | to 0.75 | 4 | (1.22) |
| over | 0.75 to 50 | 6 | (1.83) |
| over | 50 to 345 | 10 | (3.83) |
| over | 345 to 750 | 16 | (4.87) |
| over | 750 to 1000 | 20 | (6.1) |

--- IMPORTANT --- OPERATION OF UNIT

1. Make sure this manual has been thoroughly read by all crane operating personnel and supervisors.
2. A routine inspection of the crane should be mandatory before each operating day. Any defects should be corrected immediately.
3. At a job site the vehicle should be positioned so that the crane can adequately reach the load within the rated capacity (centerline of rotation to hoist hook).
4. Keep the vehicle as level as possible during operation.
5. For electric cranes, **engage emergency brake** and leave ignition on with transmission in neutral (or in park for automatic transmissions). Activate any crane power switches. For Auto Crane units requiring battery and hydraulic operation, **engage emergency brake**, place gear selector in neutral, press clutch, activate PTO, release clutch and after hydraulic fluid is warm, set throttle control to proper engine speed.
6. Always use outriggers from the truck to the ground. Be sure these are firm and adequately positioned. When rotating, **keep load as low to the ground as possible**.
7. Remove the transmitter from cab or storage area. Power transmitter on. Detach hook from dead man. Crane is now ready for operation.
8. Always boom up before rotating so the boom will clear the required boom support.
9. When extending the boom, always maintain clearance between the boom crown and the traveling block or hoist hook.
10. Always observe safe and practical operation to avoid possible accidents. Refer to Safety Tips and Precautions.
11. After completing lifting operations, return the boom to stowed position on the boom support. Avoid unneeded pressure on the boom support.
12. Store transmitter in proper location (in cab or storage area).
13. Return outriggers to stowed position. Make sure they are pinned in place or jacklegs are returned to compartment.
14. Check work area for any tools or equipment not stored.
15. Release throttle control, depress clutch and disengage PTO. Deactivate any crane power switches.
16. Report any unusual occurrence during crane operation that may indicate required maintenance or repair.
17. **NEVER** use two cranes to support a load too large for either crane.

OPERATION OF OUTRIGGERS

HYDRAULIC OUTRIGGERS

1. Shift crane/outrigger control valve to "outrigger" position.
2. Operate the outrigger control valves to position the outriggers.
3. After outriggers are positioned, return crane/outrigger selector to "crane" position.
4. Crane is now ready to operate.

MANUAL OUTRIGGERS

1. Pull lock pins to release jackleg or drop down outrigger and move to outermost lock position.
2. Make sure lock pins are reinstalled properly.
3. Lower outrigger pad to firm ground and adjust foot to take out slack.
4. Crane is now ready to operate.

INSPECTION REQUIREMENTS

REFERENCE ASME B30.5a AND OSHA 1910.180 FOR COMPLETE INSPECTION REQUIREMENTS

INSPECTION CLASSIFICATION

1. Initial inspection.

Prior to initial use, all new, altered, modified or extensively repaired cranes shall be inspected by a designated person to insure compliance with provisions of this standard.

2. Regular inspection.

Inspection procedure for cranes in regular service is divided into two general classifications based upon the intervals at which inspection should be performed. The intervals in turn are dependent upon the nature of the components of the crane and the degree of their exposure to wear, deterioration, or malfunction. The two general classifications are herein designated as "frequent" and "periodic" with respective intervals between inspections as defined below.

- A. Frequent inspection - daily or before each use
- B. Periodic inspection - one to twelve-month intervals or as specifically recommended by the manufacturer or qualified person.

**DESIGNATED PERSONNEL SHALL
PERFORM INSPECTIONS ONLY.**

FREQUENT INSPECTION

Inspections should also occur during operation for any deficiencies that might appear between regular inspections. Any deficiencies, such as those listed below, shall be carefully examined and a determination made as to whether they constitute a hazard:

1. Inspect control mechanisms for maladjustment that interferes with proper operation.
2. Inspect control mechanisms for excessive wear of components and contamination by lubricants or other foreign matter.

3. Inspect safety devices for malfunction.
4. Visually inspect all hydraulic hoses, particularly those that flex in normal operation of crane functions.
5. Inspect hooks and latches for deformation, chemical damage, cracks, and wear. Refer to ANSI/ASME B30.10.
6. Inspect for proper rope reeving.
7. Inspect electrical wiring and components for malfunctioning, signs of excessive deterioration, dirt and moisture accumulation.
8. Inspect hydraulic system for proper oil level and leaks.
9. Inspect tires for recommended inflation pressure, cuts and loose wheel nuts.
10. Inspect connecting pins and locking device for wear damage and loose retaining bolts.
11. Inspect rope for gross damage, such as listed below, which may be an immediate hazard.
 - A. Distortion such as kinking, crushing, unstranding, birdcaging, main strand displacement, or core protrusion. Loss of rope diameter in a short length or unevenness of outer strands should be replaced.
 - B. General corrosion.
 - C. Broken or cut strands.
 - D. Use care when inspecting sections of rapid deterioration around flange points, crossover points, and repetitive pickup points on drums.
 - E. Inspect number, distribution, and type of visible broken wires. Reference Rope Maintenance section in the owner's manual.

Continued use of rope depends upon good judgment by a designated person in evaluating remaining strength in a used rope after allowance for deterioration disclosed by inspection. Continued rope operation depends upon this remaining strength.

INSPECTION REQUIREMENTS

PERIODIC INSPECTION

Any deficiencies, such as those listed below, shall be carefully examined and determination made as to whether they constitute a hazard:

1. Inspect for deformed, cracked or corroded members in the crane structure and entire boom.
2. Inspect for loose bolts, particularly mounting bolts.
3. Inspect for cracked or worn sheaves and drums.
4. Inspect for worn, cracked, or distorted parts such as pins, bearings, shafts, gears, rollers and devices.
5. Inspect for excessive wear on brake and clutch system parts and lining.
6. Inspect crane hooks for cracks.
7. Inspect travel steering, braking, and locking devices for malfunction.
8. Inspect for excessively worn or damaged tires.
9. Inspect hydraulic hose, fittings, and tubing for the following problems:
 - A. Evidence of leakage at the surface of the flexible hose or its junction with metal and coupling.
 - B. Blistering, or abnormal deformation to the outer covering of the hydraulic or pneumatic hose.
 - C. Leakage at threaded or clamped joints that cannot be eliminated by normal tightening or recommended procedures.
 - D. Evidence of excessive abrasion or scrubbing on the outer surface of a hose, rigid tube, or fitting. Means shall be taken to eliminate the interference of elements in contact or otherwise protect the components.
10. Inspect hydraulic pumps and motors for the following problems:
 - A. Loose bolts and fasteners.
 - B. Leaks at joints between sections.
 - C. Shaft seal leaks.
 - D. Unusual noises or vibrations.
 - E. Loss of operating speed.
 - F. Excessive heating of the fluid.
 - G. Loss of pressure.
11. Inspect hydraulic valves for the following problems:
 - A. Cracks in valve housing.
 - B. Improper return of spool to neutral position.
 - C. Leaks at spools or joints.
 - D. Sticking spools.
 - E. Failure of relief valves to attain or maintain correct pressure setting.
 - F. Relief valve pressure shall be checked as specified by the manufacturers.
12. Inspect hydraulic cylinders for the following problems:
 - A. Drifting caused by fluid leaking across piston.
 - B. Rod seals leaking.
 - C. Leaks at welding joints.
 - D. Scored, nicked, or dented cylinder rods.
 - E. Damaged case (barrel).
 - F. Loose or deformed rod eyes or connecting joints.
13. Inspect hydraulic filters for evidence of rubber particles on the filter elements indicating possible hose, "O" ring, or other rubber component deterioration. Metal chips or pieces on the filter may denote failure in pumps, motors, or cylinders. Further inspection will be necessary to determine the origin of the problem before corrective action can be taken.
14. Inspect labels to confirm correct location and legibility. Reference decal layout in this manual for proper location of decals.
15. **Rope Inspections need not be at equal calendar intervals and should be more frequent as the rope approaches the end of useful life.** A qualified person shall inspect the wire rope based on such factors as:
 - A. Expected rope life as determined by experience on the particular installation or similar installations.
 - B. Severity of environment.
 - C. Percentage of capacity lifts.
 - D. Frequency rates of operation.
 - E. Exposure to shock loads.This inspection shall cover the entire length of the rope. Only the surface wires need to be inspected and no attempt should be made to open the rope. Any deterioration resulting in appreciable loss of original strength shall be noted and determination made as to whether use of the rope would constitute a hazard. A few notable deterioration points are listed below:

INSPECTION REQUIREMENTS

- A. Reduction of rope diameter below nominal diameter due to loss of core support.
- B. Internal or external corrosion.
- C. Wear of outside wires.
- D. Severely corroded, cracked, bent, worn, or improperly applied connections.

CRANES NOT IN REGULAR USE

A crane, which has been idle for a period of over one month or more, shall be given an inspection conforming to the "initial" and "regular" inspection requirements of this section.

INSPECTION RECORDS

Dated records of periodic inspection should be made on critical items such as brakes, crane hooks, rope, cylinders, and relief pressure valves.

TESTING REQUIREMENTS

REFERENCE ASME B30.5a AND OSHA 1910.180 FOR COMPLETE TESTING REQUIREMENTS

TESTING SHALL BE PERFORMED BY DESIGNATED PERSONNEL ONLY.

Prior to initial use, all new, altered, modified, or extensively repaired cranes shall be tested for compliance with the operational requirements of this crane.

Test requirements:

1. Test all functions to verify speed and operation.
2. Check that all safety devices are working properly.
3. Confirm operating controls comply with appropriate function labels.
4. Test loads shall not exceed 110% of the manufacturer's load rating.
5. Written reports shall be maintained showing test procedures and confirming the adequacy of repairs.

GENERAL REPAIRS AND MAINTENANCE

REFERENCE ASME B30.5a AND OSHA 1910.180 FOR COMPLETE MAINTENANCE AND REPAIR REQUIREMENTS

A preventative maintenance program should be established based on this section and all replacement parts should be obtained from AutoCrane Company.

For replacement parts contact your local authorized distributor.

MAINTENANCE PRECAUTIONS

1. Place crane where it will cause the least interference with other equipment or operations.
2. Verify all controls are in the "off" position and all operating features secured from inadvertent motion by brakes, pawls, or other means.
3. The means for starting the crane shall be rendered inoperative.
4. The boom should be secured in place before maintenance.
5. Relieve hydraulic oil pressure from all hydraulic circuits before loosening or removing hydraulic components.
6. Warning or "OUT OF ORDER" signs shall be placed on all crane controls.
7. After adjustments and repairs have been made, the crane shall not be returned to service until all guards have been reinstalled, trapped air removed from hydraulic system (if required), safety devices reactivated, and maintenance equipment removed.

ADJUSTMENTS AND REPAIRS

1. Any hazardous conditions disclosed by the inspection requirements shall be corrected before operation of crane is resumed. Only designated personnel shall do adjustments and repairs.
2. Adjustments shall be maintained to assure correct functioning of components, the following are examples:
 - A. Functional operating mechanism.
 - B. Safety devices.
 - C. Control systems.
3. Repairs or replacements shall be provided as needed for operation, the following are examples:
 - A. Critical parts of functional operating mechanisms which are cracked, broken, corroded, bent, or excessively worn.

- B. Critical parts of the crane structure which are cracked, bent, broken, or excessively corroded.
 - C. Crane hooks showing cracks, damage, or corrosion shall be taken out of service. Repairs by welding are not recommended.
4. If bleeding the hydraulic system is required, run each crane function until smooth operation of that particular function is noticeable.

LUBRICATION

All moving parts of the crane, for which lubrication is specified, should be regularly lubricated per the manufacturer's recommendations and procedures. **Reference Lubrication and Maintenance Schedule in this manual.**

ROPE REPLACEMENT

No precise rules can be given for determination of the exact time for replacement of rope, since many variable factors are involved.

1. Conditions such as the following shall be reason for questioning continued use of the rope or increasing the frequency of inspection:
 - A. In running ropes, six randomly distributed broken wires in one lay or three broken wires in one strand in one lay.
 - B. One outer wire broken at the contact point with the core of the rope structure and protrudes or loops out of the rope structure. Additional inspection of this section is required.
 - C. Wear of one third of the original diameter of the outside individual wire.
 - D. Kinking, crushing, bird caging, or any other damage resulting in distortion of the rope structure.
 - E. Evidence of any heat damage from any cause.
 - F. Reduction from nominal diameter of more than 1/64 in. (0.4mm) for diameters up to and including 5/16 in. (8 mm), 1/32 in. (0.8 mm) for diameter 3/8 in. (9.5 mm) to and including 1/2 in. (13 mm), 3/64 in. (1.2 mm) for diameter 9/16 in. (14.5 mm) to and including 3/4 in. (19 mm), 1/16 in. (1.6 mm) for diameter 7/8 in. (22 mm) to and including 1 1/8 in. (29 mm), 3/32 in.

GENERAL REPAIRS AND MAINTENANCE

(2.4 mm) for diameters 1 1/4 in. (32 mm) to and including 1 1/2 in. (38 mm).

- G. In standing ropes, more than two broken wires in one lay in sections beyond end connections or more than one broken wire at an end connection.
- 2. Replacement rope shall have a strength rating at least as great as the original rope furnished or recommended by AutoCrane. A rope manufacturer, AutoCrane, or a qualified person shall specify any deviation from the original size, grade, or construction.

ROPE MAINTENANCE

- 1. Rope should be stored to prevent damage or deterioration.
- 2. Unreeling or uncoiling of rope shall be done as recommended by the rope manufacturer and with care to avoid kinking or inducing twist.
- 3. Before cutting a rope, seizing shall be placed on each side of the place where the rope is to be cut to prevent unlaying of the strands. On pre-formed rope, one seizing on each side of the cut is required. On non-preformed ropes of 7/8 in. (22 mm) diameter or smaller, two seizings on each side of the cut are required, and for non-preformed rope 1 in. (25 mm) diameter or larger, three seizings on each side of the cut are required.
- 4. During installation care should be exercised to avoid dragging of the rope in the dirt or around objects that will scrape, nick crush or induce sharp bends in it.
- 5. Rope should be maintained in a well-lubricated condition. It is important that lubricant applied as a part of a maintenance program shall be compatible with the original lubricant and to this end the rope manufacturer should be consulted. Lubricant applied shall be the type that does not hinder visual inspection. Those sections of rope that are located over sheaves or otherwise hidden during inspection and maintenance procedures require special attention when lubricating rope. The object of rope lubrication is to reduce internal friction and to prevent corrosion.
- 6. When an operating rope shows greater wear or well-defined localized areas than on the remainder of the rope, rope life can be extended in some cases by shifting the wear to different areas of the rope.

MAINTENANCE OF BATTERIES

Maintenance of Auto Crane unit batteries differs very little from the generally prescribed maintenance of any lead acid battery. All batteries must be kept properly charged, properly filled with water, and relatively clean.

Keep Properly Charged

Many things affect the proper charge to a battery, such as:

1. Regulator settings.
2. Proper tightness of belts on the alternator or generator.
3. Good, clean connections of all cables and wires at the following places:
 - a. Battery.
 - b. Regulator.
 - c. Starting motor.
 - d. Alternator or generator.
 - e. Ground connections (most important).

It is of extreme importance to keep the battery as fully charged as possible without overcharging, especially when vehicles are left outside for extended periods in extremely cold climates. A battery can freeze. Freezing points for various specific gravities of acid are as follows:

| Specific Gravity (Corrected to 80°F) | Freezing Temp. Degrees F. |
|---|------------------------------|
| 1.280 | -90°F |
| 1.250 | -62°F |
| 1.200 | -16°F |
| 1.150 | 5°F |
| 1.100 | 19°F |

As shown, a half-charged battery (about 1.100 specific gravity) cannot stand for any length of time at 20°F or it will freeze.

The main reason for keeping the battery as fully charged as possible without over-charging is to insure that power is available even though the vehicle has been standing for some time.

Keep Properly Filled with Water

The battery should *always* be properly filled with water. If the electrolyte level is allowed to fall below the top of the plates, the results become threefold:

1. The exposed portion of the plate will become sulfated.
2. The portion of the plate exposed is not usable.
3. That portion of the acid remaining becomes more concentrated and may cause more rapid

deterioration of the remaining parts of the battery.

Keep A Relatively Clean Battery

The battery should be kept clean. Batteries filled with acid and which are not in use self-discharge to a limited degree because of the nature of the materials within the battery. If dirt is allowed to collect on the top of the battery (and this dirt absorbs moisture) and electrical path can be set up between the various terminals of the battery and the ground. Once such a path has been established, the self-discharge of the battery is accelerated. This also accelerates corrosion of the battery cables at the terminals.

Periodic Maintenance is Needed

A definite program of periodic maintenance of all batteries should be conducted on a regular basis. Periodic maintenance includes:

1. Checking belts for tightness on the charging equipment.
2. Checking battery electrolyte levels.
3. Checking cables for good connections.
4. Cleaning where corrosion is apparent.

When corrosion is cleaned off, the cable terminals and battery terminals should be coated with a light coating of petroleum jelly before they are replaced. When terminals are cleaned, the top of the battery should be cleaned with a mild solution of soda water.

Low Maintenance Batteries (Maintenance Free)

Low maintenance batteries should not be used on AutoCrane Cranes or trucks equipped with AutoCrane Cranes. The batteries are not designed for "deep" discharge.

Testing Your Battery

If the condition of the battery is in question, it should be removed from the vehicle, taken to the shop, and allowed to reach room temperature. It should then be recharged until specific gravity readings taken at one-half hour intervals. If the specific gravity readings are fairly uniform, the battery should be checked with a high rate tester. Use the tester in accordance with the manufacturer's instructions. The high rate tester is the best method to test a questionable battery.

MAINTENANCE OF BATTERIES

If, after charging, it is noted that the specific gravity reading of one cell is 30 points less than any of the other cells, it may be assumed that the cell is bad and that the battery should be replaced. If all cells are uniform but not up to full charge, a low rate of charge should be attempted for an extended time. This usually will recover a badly sulfated battery.

Replacing a Battery

If it is necessary to replace a battery, and a dry charge battery is used, the following procedure applies:

1. Fill the battery with electrolyte of the proper specific gravity.

2. Place the battery on charge according to the manufacturer's instructions.

It is essential that the second step above be followed to ensure that the battery going on the vehicle is fully charged.

It is also very important that the battery hold-downs be checked periodically to insure that the batteries are properly positioned to avoid vibration problems, breakage of cables or terminals. Care must be taken to avoid cracking or breaking containers or covers by tightening hold-down fixtures excessively. They also must not be so loose that breakage results from a hold-down that is too loose.

8406H

LUBRICATION & MAINTENANCE SCHEDULE

| SERVICE PERFORMED | DAY | WKLY | 3 MOS | 6 MOS | YEAR | NOTES |
|---------------------------------|---|------|-------|-------|------|--|
| LOAD HOOK | X | | | | | INSPECT HOOK & LATCH FOR DEFORMATION, CRACKS, & CORROSION |
| CABLE DRUM | X | | | | | MAKE SURE CABLE IS WOUND EVENLY ON DRUM |
| HOIST / BOOM CABLE | X | | | | | CHECK FOR FLATTENING, KINKS, & BROKEN STRANDS, SEE MANUAL |
| HYD. HOSES | X | | | | | VISUAL INSPECTION |
| HYD. FLUID | X | | | | | CHECK FLUID LEVEL |
| PIN RETAINING BOLTS | X | | | | | CHECK TORQUE TO 23 FT-LBS (GRADE 5), 35 FT-LBS (GRADE 8) AS REQUIRED |
| MOUNTING BOLTS | | X | | | | CHECK TORQUE TO 501 FT-LBS AS REQUIRED |
| ROTATION RING GEAR | | X | | | | LUBE WITH MOBILETAC LL, OR LUBRIPLATE P/N 15263, OR EQUAL |
| SHEAVE BEARINGS | | X | | | | SEALED BEARING, REPLACE IF ROUGH OR LOOSE |
| ALL OTHER BOLTS | | X | | | | CHECK TIGHTEN AS REQUIRED |
| LIFT CYLINDER BEARINGS | | | X | | | GREASE WITH MOBILEPLEX EP-2 OR EQUIVALENT @ ZERKS |
| ROTATION BEARING | | | X | | | GREASE WITH MOBILEPLEX EP-2 OR EQUIVALENT @ ZERKS |
| ROTATION BEARING BOLTS | | | X | | | CHECK TORQUE TO 170 FT-LBS (HEX HEAD) 180 FT-LBS (SOCKET HEAD) AS REQUIRED |
| ROTATION GEAR BOX | | | X | | | CHECK TORQUE TO 90 FT-LBS (SOCKET HEAD) AND 55 FT-LBS (HEX HEAD) AS REQUIRED |
| ROTATION GEAR BOX | | | | X | | EP GEAR LUBE SAE 80-90 |
| HYDRAULIC FLUID | | | | | X | DRAIN, FLUSH, AND REFILL WITH MOBILE DTE 13 OIL |
| BOOM SLIDE PADS | PADS GREASED WHEN REPLACED | | | | | |
| FOR ADDITIONAL INFORMATION SEE: | 1) OWNER'S MANUAL 2) OSHA SECTION 1910.180 3) ANSI B30.5-1989 | | | | | |

CAUTION: Routine maintenance insures trouble-free operation and protects your investment. All warranties are void if maintenance is neglected.

8406H

LUBRICATION & MAINTENANCE SCHEDULE

NOTES:

1. Use only authorized parts. Any damage or malfunction caused by the use of unauthorized parts is not covered by Warranty or Product Liability.
2. Once a bolt has been torqued to its rated capacity and then removed; the bolt should be replaced with a new one.
3. Auto Crane Company recommends that this crane be serviced per "Crane Inspection Log" P/N 999978. These logs should be filled in at the intervals noted and kept as a permanent record. Additional copies are available from your local distributor.

8406H

SAFETY DECAL SECTION

PART NO.: 040579000
 DECAL: OPERATING INSTRUCTIONS
 FUNCTION: To inform the operator of the proper procedure to follow for safe operation of the crane.
 USED ON: All Cranes
 QUANTITY: 1
 PLACEMENT: Right side plate

⚠ CAUTION

1. INSPECT VEHICLE AND CRANE INCLUDING OPERATION, PRIOR TO USE DAILY.
2. DO NOT USE THIS EQUIPMENT EXCEPT ON SOLID, LEVEL SURFACE WITH OUTRIGGERS PROPERLY EXTENDED AND CRANE MOUNTED ON FACTORY-RECOMMENDED TRUCK.
3. BEFORE OPERATING THE CRANE, REFER TO MAXIMUM LOAD (CAPACITY) CHART ON CRANE FOR OPERATING (LOAD) LIMITATIONS.
4. OPERATE ALL CONTROLS SLOWLY AND SMOOTHLY.
5. KEEP LOAD UNDER BOOM TIP. DO NOT SIDE LOAD BOOM OR DRAG LOADS. AVOID FREE SWINGING LOADS.
6. DO NOT OPERATE, WALK OR STAND BENEATH BOOM OR A SUSPENDED LOAD.
7. KEEP AT LEAST 5 WRAPS OF LOADLINE ON HOIST DRUM.
8. FOR TRAVELING, BOOM AND OUTRIGGERS MUST BE IN THE STOWED POSITION.
9. ALL REMOVABLE PENDANTS MUST BE STORED IN CAB OR TOOL COMPARTMENT WHEN CRANE IS NOT IN USE.

P/N 040579

PART NO.: 040580000
 DECAL: OPERATING TRAINING
 FUNCTION: To inform the operator of the need to receive proper training before using the crane.
 USED ON: All Cranes
 QUANTITY: 1
 PLACEMENT: Right side plate

⚠ DANGER

AN UNTRAINED OPERATOR
SUBJECTS HIMSELF AND
OTHERS TO

DEATH OR SERIOUS INJURY

- 1.) YOU MUST HAVE BEEN TRAINED IN THE OPERATION OF THIS CRANE, AND
- 2.) YOU MUST KNOW AND FOLLOW THE SAFETY AND OPERATING RECOMMENDATIONS CONTAINED IN THE MANUFACTURER'S MANUAL, YOUR EMPLOYER'S WORK RULES AND APPLICABLE GOVERNMENT REGULATIONS.

P/N 040580

PART NO.: 040632000
 DECAL: TAMPERING WITH OVERLOAD DEVICE
 FUNCTION: To inform the operator that tampering with the overload device may cause a unit failure or possible personal injury.
 USED ON: All Cranes equipped with a load sensor
 QUANTITY: 1
 PLACEMENT: Right side of valve sensor.

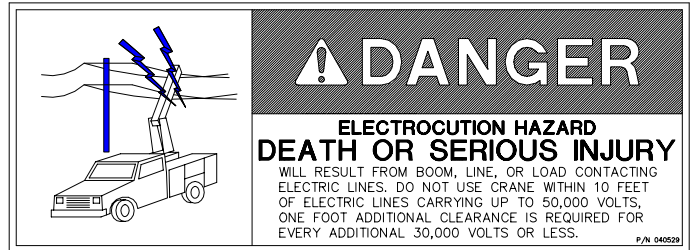
⚠ WARNING

TAMPERING WITH OVERLOAD DEVICE VOIDS WARRANTY. OVERLOADED CRANE MAY HYDRAULICALLY RELEASE AND LET LOAD DOWN TO GROUND. OVERLOAD PROTECTION DEVICE CANNOT FUNCTION WITH BOOM BELOW HORIZONTAL (0°). HOIST UP, BOOM DOWN, AND EXTEND OUT WILL BE INOPERATIVE WHEN CRANE IS IN OVERLOAD CONDITION.

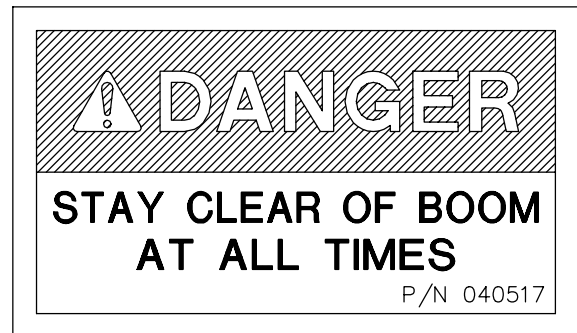
P/N 040632

8406H SAFETY DECAL SECTION

PART NO.: 040529000
 DECAL: ELECTROCUTION HAZARD
 FUNCTION: To inform the operator of the hazard involved with contacting electrical power lines with crane boom.
 USED ON: All Cranes
 QUANTITY: 2
 PLACEMENT: Both sides of end of lower boom



PART NO.: 040517000
 DECAL: STAY CLEAR OF BOOM
 FUNCTION: To inform the operator of the hazard of proximity or contact with the crane boom during operation.
 USED ON: All Cranes
 QUANTITY: 2
 PLACEMENT: Both sides of crown



PART NO.: 040518000
 DECAL: STAY CLEAR OF LOAD
 FUNCTION: To inform the operator of the hazard of proximity or contact with the crane load during operation.
 USED ON: All Cranes
 QUANTITY: 2
 PLACEMENT: Both sides of traveling block



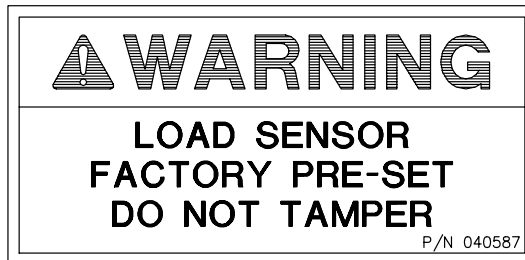
8406H

SAFETY DECAL SECTION

PART NO.: 040587000 USED ON: All cranes equipped with a load sensor.

DECAL: LOAD SENSOR, DON'T TAMPER QUANTITY: 2

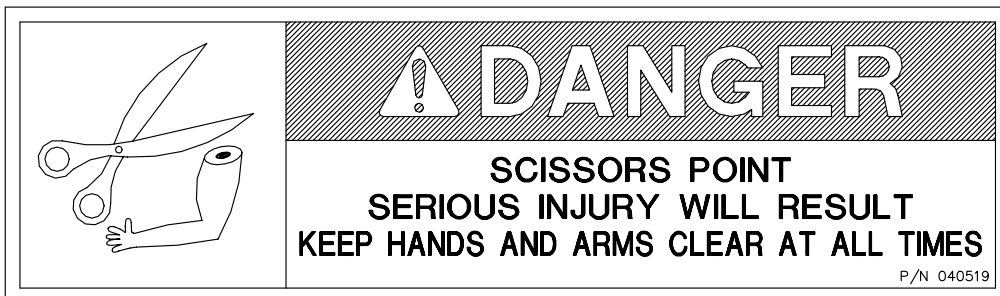
FUNCTION: To inform the operator that the load sensor is pre-set and that tampering with the sensor may cause potentially hazardous situation. PLACEMENT: Both sides of the lift cylinder near the load sensor



PART NO.: 040519000 USED ON: All cranes.

DECAL: SCISSORS POINT QUANTITY: 2

FUNCTION: To inform the operator of possible danger at scissors point on crane. PLACEMENT: Both sides of the lift cylinder



NOTES

8406H

SAFETY DECAL SECTION

PART NO.: 460169000 USED ON: All Cranes equipped with FM controls.

DECAL: REMOTE CONTROL QUANTITY: 1

FUNCTION: To inform the operator of failure to follow the safety precautions may result in equipment failure or serious personal injury. PLACEMENT: FRONT OF POWER UNIT



WARNING

REMOTE CONTROL SAFETY PRECAUTIONS

READ THE OPERATOR'S MANUAL before using the Remote Control System. Failure to follow the safety precautions may result in equipment failure or serious personal injury.

MAKE SURE MACHINERY AND SURROUNDING AREA IS CLEAR BEFORE OPERATING REMOTE CONTROL SYSTEM. Do not activate the Remote Control System unless it is safe to do so.

TURN OFF THE RECEIVER POWER BEFORE WORKING ON THE MACHINE. Always disconnect the Remote Control System before doing any maintenance to prevent accidental operation of the machine.

DO NOT MODIFY EQUIPMENT WITHOUT WRITTEN APPROVAL FROM THE MANUFACTURER.

CARE

KEEP DRY. Do not clean the Transmitter / Receiver under high pressure. If water or other liquids get inside the Transmitter battery or Receiver compartment, immediately dry the unit. Remove the case and let the unit air dry.

Clean the unit after operation using a damp cloth to remove any mud, dirt, concrete, etc. from the unit and prevent clogging of buttons, switches, etc.

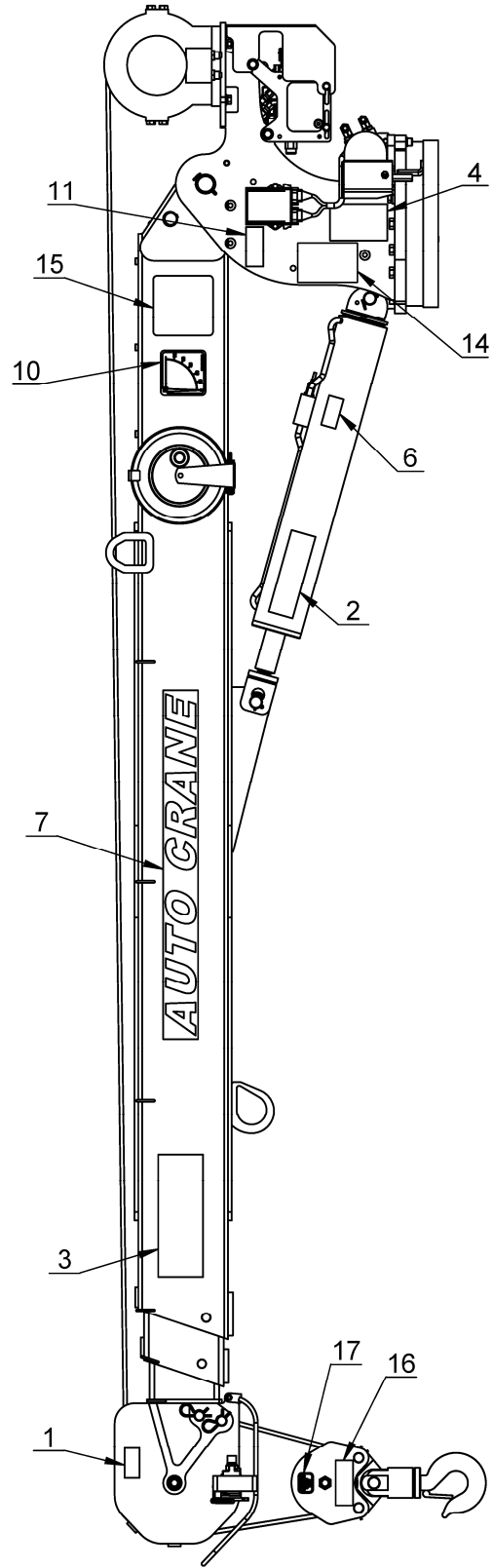
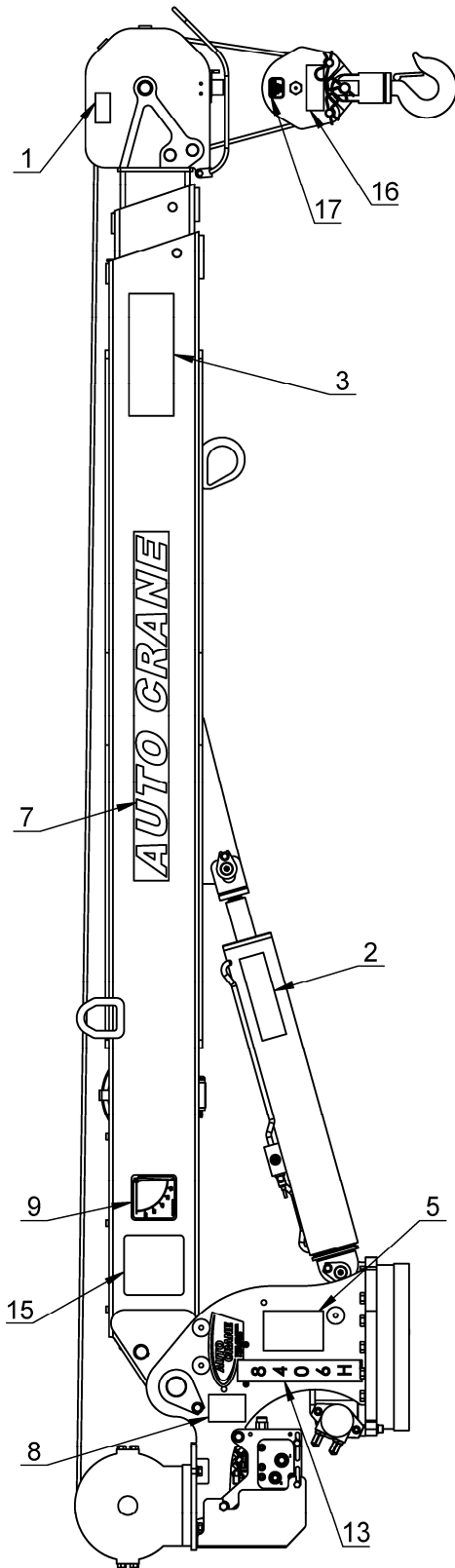
MAINTENANCE / WELDING

DISCONNECT THE RECEIVER BEFORE WELDING ON THIS MACHINE. Failure to disconnect will result in the destruction of the Receiver.

460169000 A

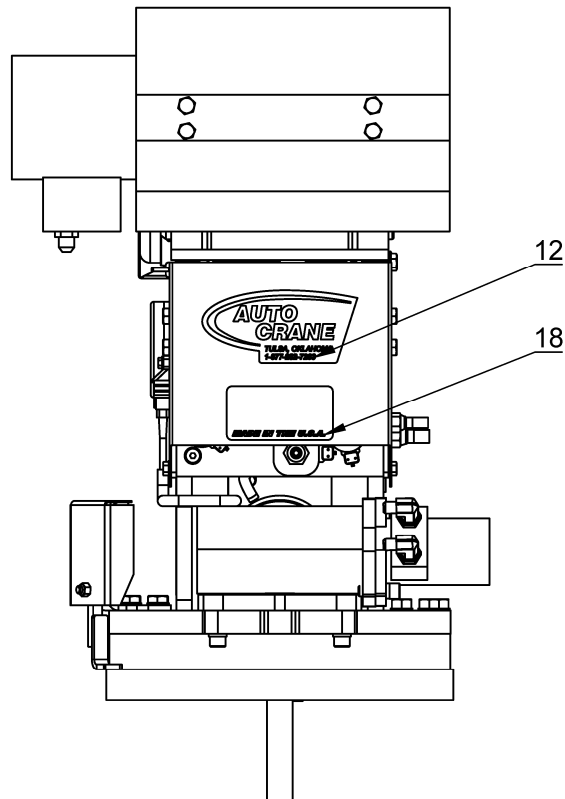
8406H DECAL LAYOUT

P/N: 480988021



8406H DECAL LAYOUT

P/N: 480988021

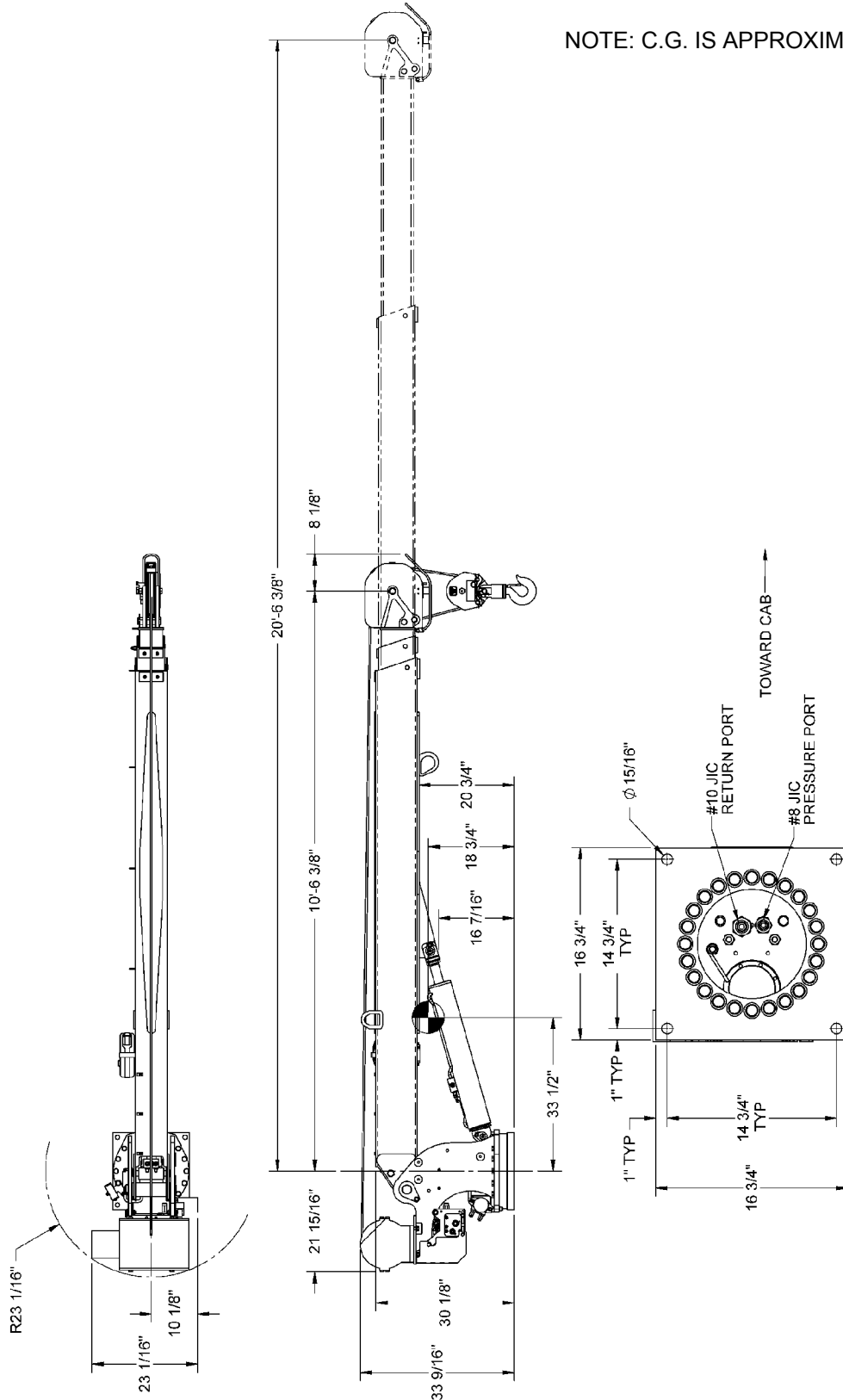


| ITEM NO. | QTY | PART NO. | DESCRIPTION |
|----------|-----|-----------|---|
| 1 | 2 | 040517000 | DECAL STAY CLEAR OF BOOM |
| 2 | 2 | 040519000 | DECAL DANGER SCISSOR POINT |
| 3 | 2 | 040529000 | DECAL DANGER "ELECTROCUTION HAZARD" POWER LINE |
| 4 | 1 | 040579000 | DECAL OPERATION INSTRUCTIONS |
| 5 | 1 | 040580000 | DECAL TRAINED OPERATOR |
| 6 | 1 | 040587000 | DECAL WARNING LOAD SENSOR |
| 7 | 2 | 040624000 | DECAL AUTO CRANE |
| 8 | 1 | 040632000 | DECAL WARNING - OVERLOAD |
| 9 | 1 | 320318000 | DECAL ANGLE INDICATOR CS |
| 10 | 1 | 320318001 | DECAL ANGLE INDICATOR SS |
| 11 | 1 | 330622000 | DECAL SERIAL NO |
| 12 | 2 | 360034000 | DECAL AUTO CRANE LOGO |
| 13 | 1 | 480851000 | DECAL 8406H |
| 14 | 1 | 460169000 | DECAL WARNING, REMOTE CONTROL |
| 15 | 2 | 480988022 | DECAL, LOAD CHART 8406H |
| 16 | 2 | 040518000 | DECAL STAY CLEAR OF LOAD |
| 17 | 2 | 480853000 | DECAL MAX BLOCK LOAD |
| 18 | 1 | 040824000 | DECAL, AMERICAN FLAG, MADE IN THE U.S.A. |

NOTES

8406H GENERAL DIMENSIONS

NOTE: C.G. IS APPROXIMATE



5-1.0

8406H

MOUNTING AND INSTALLATION

1. Check to make sure the following items are with your crane. Please note the different, model specific, quantities.

| ITEM NO. | QTY. FM | QTY. HW | PART NO. | DESCRIPTION |
|----------|---------|---------|-----------|---|
| 1 | 4 | 4 | 015104000 | 7/8-14 X 5 HH GR 8 |
| 2 | 4 | 4 | 022200000 | WASHER SP LK 7/8 |
| 3 | 4 | 4 | 018900000 | NUT HX 7/8 NFCP GR8 |
| 4 | 1 | 1 | 480689000 | FUSE 15 AMP TIME-DELAY |
| 5 | 1 | 1 | 480688000 | FUSE HOLDER IN-LINE WATERPROOF |
| 6 | 120 in | 120 in | 800596000 | WIRE 16G 600V 1C YEL |
| 7 | 6 | 6 | 634401000 | WIRE TIE 7 INCHES LONG |
| 8 | 6 | 6 | 750738000 | WIRE TIE STICK ON RETAINER |
| 9 | 5 | 5 | 320357000 | CONNECTOR FEM SPD |
| 10 | 1 | 1 | 340638000 | CONDUCTOR POWER |
| 11 | 1 | 1 | 320355000 | POWER PLAY |
| 12 | 1 | 1 | 320363000 | PLUG RELAY |
| 13 | 1 | - | 460151000 | OMNEX R160 CONTROLLER WITH PROPORTIONAL CONTROL |
| 14 | 1 | 1 | 480899000 | OWNER'S MANUAL 8406H |
| 15 | 1 | - | 460159000 | TETHER CABLE, OMNEX |
| 16 | 1 | 1 | 480988022 | DECAL, LOAD CHART 8406H |
| 17 | - | 1 | 470091000 | KIT, ELECTRICAL WITH UNLOADING VALVE |

2. Pressure and return hoses are not furnished with this crane. The hoses must be provided by the installer and the lengths determined at installation.

REQUIREMENTS FOR INSTALLATION USING 23 GALLON RESERVOIR(*)

- A. **RETURN LINE** FROM CRANE TO RESERVOIR (IN COMPARTMENT): -10 SAE 100R2 (OR EQUIVALENT). HOSE LENGTH IS DETERMINED BY INSTALLER. RETURN LINES LONGER THAN 6 FEET SHOULD BE SIZE -12. HOSE END FITTINGS ARE -10 JIC FEMALE SWIVEL (CRANE END) AND -10 JIC FEMALE SWIVEL (RESERVOIR END).
- B. **PRESSURE LINE** FROM PUMP TO CRANE: -8 SAE 100R12 (OR EQUIVALENT) WITH A **2,850 PSI MINIMUM WORKING PRESSURE**. HOSE LENGTHS IS DETERMINED BY INSTALLER. HOSE END FITTINGS ARE BOTH -8 JIC FEMALE SWIVEL.

(*) NOTE: 23 GAL RESERVOIR IS MINIMUM REQUIREMENT FOR CRANE ONLY. THE ADDITION OF OTHER AUXILLARY EQUIPMENT WILL REQUIRE ADDITIONAL CAPACITY.

CAUTION – FAILURE TO USE CLEAN HYDRAULIC HOSES AND COMPONENTS MAY CONTAMINATE THE CRANE AND HYDRAULIC SYSTEM AND VOID WARRANTY.

3. Crane must be provided with a flow of 13 gallons per minute and a pressure of 2,750 PSI. Excess flow will cause erratic operation, and too little flow will cause poor crane operation.
4. Vehicle should meet minimum GVW rating of 20,500 pounds.
5. The vehicle MUST be equipped with an engine speed control and tachometer.
6. Make sure mounting surface is properly reinforced to withstand 50,000 ft-lb capacity loading of crane and that outriggers are used to provide total stability for the truck.
7. A 13 1/2" diameter hole should be cut out of mounting location (centered with mounting bolts) for access to hydraulic connections.
8. Make sure the mounting bolts are 7/8" dia, grade 8-UNF. Torque bolts to 501 ft-lbs.

8406H

MOUNTING AND INSTALLATION

9. When crane is not in operation, a boom support should always be used. Traveling block should be connected to hook loop.
10. Electrical hookup:
 - Wiring (FM – cable from base of crane, HW – cable from junction box):
 - A. CONNECT THE BLACK WIRE TO THE BATTERY NEGATIVE (GROUND).
 - B. CONNECT THE RED WIRE TO FUSED 12VDC POWER. 12VDC POWER SHOULD BE SUPPLIED THROUGH A DEDICATED SWITCH THAT IS POWERED ONLY WHEN THE IGNITION SWITCH IS ON.
 - C. OPTIONALLY, USE THE WHITE WIRE FOR ENGINE FAST/SLOW (12VDC MAINTAINED-FM ONLY).
 - D. OPTIONALLY, USE THE BLUE WIRE FOR ENGINE START.
 - E. OPTIONALLY, USE THE ORANGE WIRE FOR ENGINE STOP.
 - F. OPTIONALLY, USE THE GREEN WIRE FOR AUXILIARY (12VDC MAINTAINED-FM ONLY).

NOTE: ALL ELECTRICAL CONNECTIONS BETWEEN THE CRANE AND THE VEHICLE SHOULD BE MADE USING RELAYS TO ISOLATE THE ELECTRICAL SYSTEMS OF EACH AS MUCH AS POSSIBLE.

WARNING! FAILURE TO CORRECTLY PLUMB AND WIRE CRANE CAN CAUSE INADVERTENT OPERATION AND DAMAGE TO CRANE AND/OR PERSONNEL!

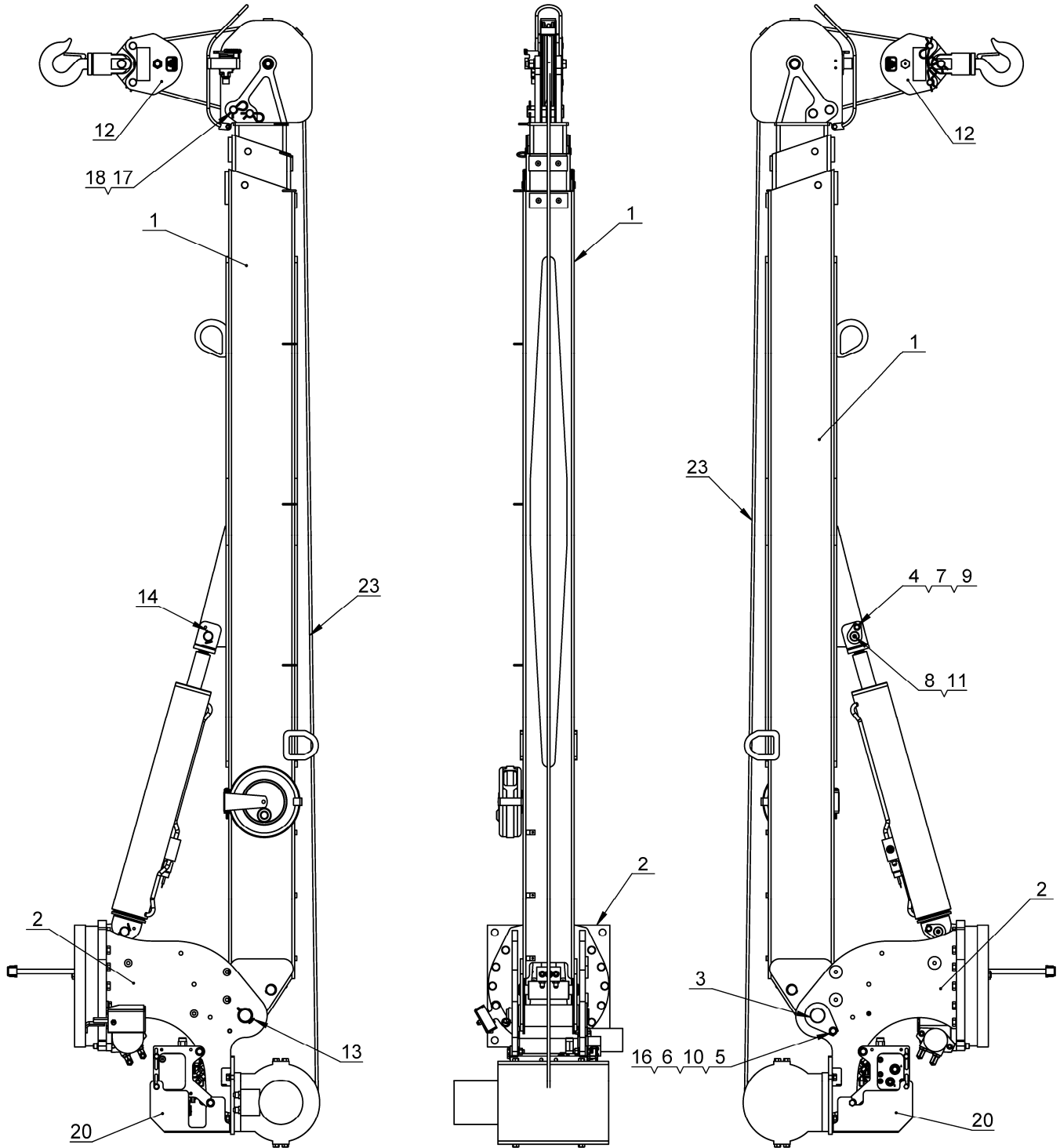
11. Once crane and plumbing are installed on the truck, fill the reservoir to top of sight glass (mobile DTE 13 or equal). Before operating crane, connect together the pressure and return hoses going to base of crane using 10-12 JIC union and engage PTO with engine running. Allow oil to circulate for 15 to 20 minutes. This will flush contaminants from the system back to the return line filter. Operate all cylinders to full extension and retraction a minimum of six times, to bleed air from system. Return all cylinders to the stored position and disengage PTO. Refill reservoir to top sight glass. To ensure 13 gallons per minute (GPM), install an in-line flow meter between the crane and the reservoir in the return hose.
12. Load test the crane to ensure proper functioning and truck stability.
13. Make certain the owner's manual is delivered to the customer.
14. For additional help: call the service department at the Auto Crane Company (918) 836-0463 (Tulsa, Oklahoma).

WARNING

FEDERAL LAW (49 CFR PART 571) REQUIRES THAT THE FINAL STAGE MANUFACTURER OF A VEHICLE CERTIFY THAT HE VEHICLE COMPLIES WITH ALL APPLICABLE FEDERAL REGULATIONS. ANY MODIFICATIONS PERFORMED ON THE VEHICLE PRIOR TO THE FINAL STAGE ARE ALSO CONSIDERED INTERMEDIATE STAGE MANUFACTURING AND MUST BE CERTIFIED AS TO COMPLIANCE. THE INSTALLER OF THIS CRANE AND BODY IS CONSIDERED ONE OF THE MANUFACTURERS OF THE VEHICLE. AS SUCH A MANUFACTURER, THE INSTALLER IS RESPONSIBLE FOR COMPLIANCE WITH ALL APPLICABLE FEDERAL AND STATE REGULATIONS, AND IS REQUIRED TO CERTIFY THAT THE VEHICLE IS IN COMPLIANCE.

IT IS THE FURTHER RESPONSIBILITY OF THE INSTALLER OF THE CRANE TO COMPLY WITH THE OSHA TRUCK CRANE STABILITY REQUIREMENTS AS SPECIFIED BY 29 CFR PART 1910.180 (C) (1).

8406H GENERAL ASSEMBLY HARDWIRED - P/N: 480988001

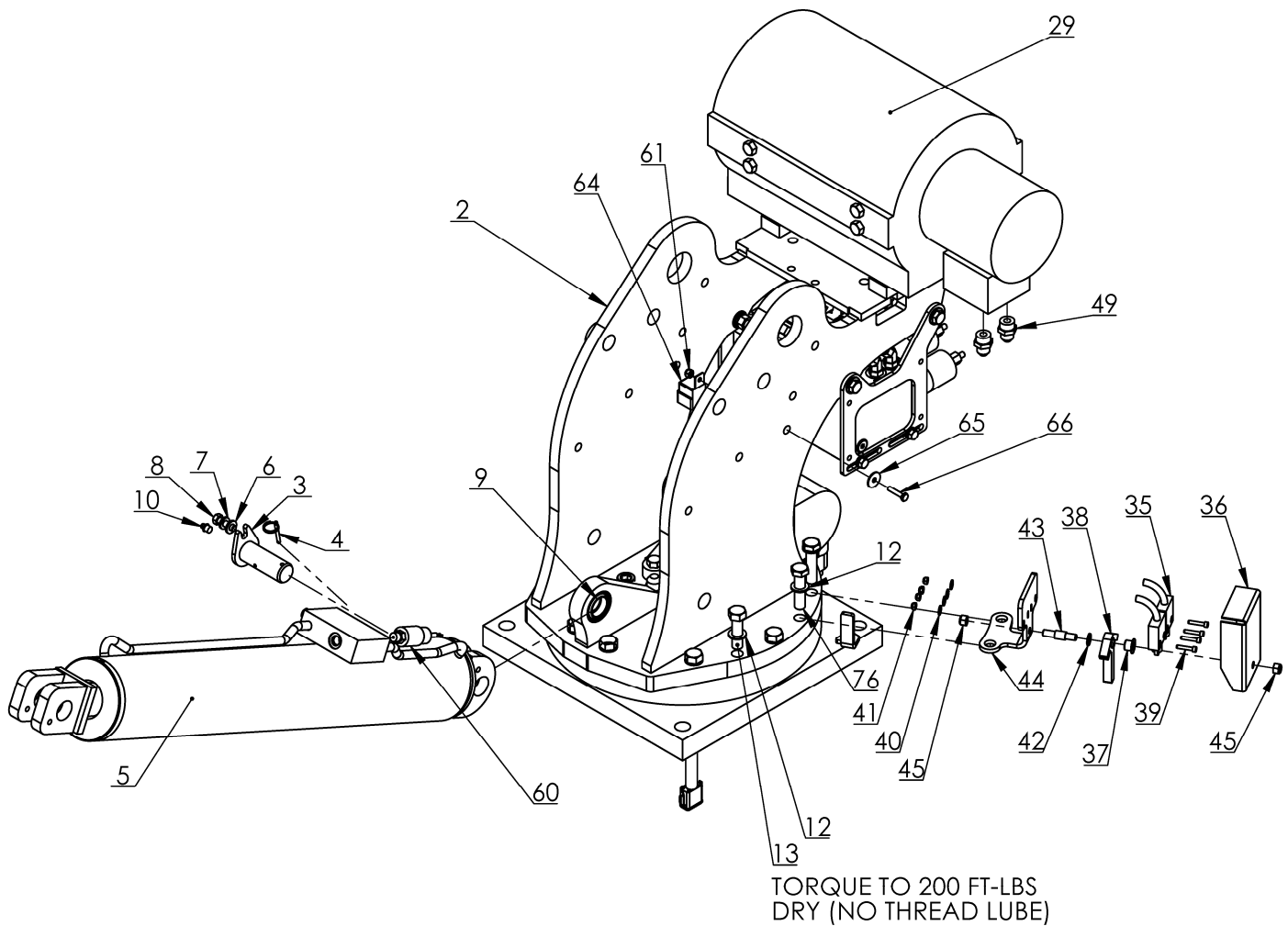


ELECTRICAL SCHEMATIC P/N: 366372000

8406H GENERAL ASSEMBLY HARDWIRED - P/N: 480988001

| ITEM NO. | QTY. | PART NO. | DESCRIPTION |
|----------|------|-----------|--------------------------------------|
| 1 | 1 | 480988100 | BOOM ASSEMBLY, 8406H |
| 2 | 1 | 480988200 | PEDESTAL ASS'Y 8406H HW |
| 3 | 1 | 480988020 | PIN, PIVOT, 8406H |
| 4 | 1 | 008702000 | SCREW HX HD 3/8-16UNC X 1 1/4 LG GR5 |
| 5 | 1 | 011605000 | SCREW HX HD 1/2UNC X 1-3/4 CP GR5 |
| 6 | 1 | 021500000 | WASHER, SP LK 1/2 |
| 7 | 1 | 021100000 | WASHER SP LK 3/8 |
| 8 | 1 | 239300000 | ZERK, GREASE |
| 9 | 1 | 320976000 | WASHER, FLAT, 3/8 SAE HARDENED |
| 10 | 1 | 021600000 | WASHER FL 1/2 |
| 11 | 1 | 360676000 | PIN, CYLINDER |
| 12 | 1 | 480854000 | TRAVELING BLOCK ASSEMBLY |
| 13 | 1 | 360677000 | PIN, 1/4 COTTERLESS RING |
| 14 | 1 | 360678000 | PIN, 3/16 COTTERLESS RING |
| 15 | 1 | 367238000 | CAP, 10 JIC |
| 16 | 1 | 017701000 | NUT HX 1/2-13UNC |
| 17 | 1 | 470076000 | PIN, 1 DIA 4-11/16 LG |
| 18 | 1 | 360124000 | PIN HITCH |
| 19 | 1 | 480988024 | SHIP KIT, 8406H, HW |
| 20 | 1 | 480988025 | VALVE COVER |
| 21 | 1 | 360445000 | CAP, 8 JIC |
| 22 | 1 | 480988021 | DECAL LAYOUT/KIT 8406H |
| 23 | 1 | 480841000 | ROPE ASSY |
| 24 | 1 | 315004 | ANCHOR-CABLE |

8406H PEDESTAL ASSEMBLY HARDWIRED - P/N: 480988201

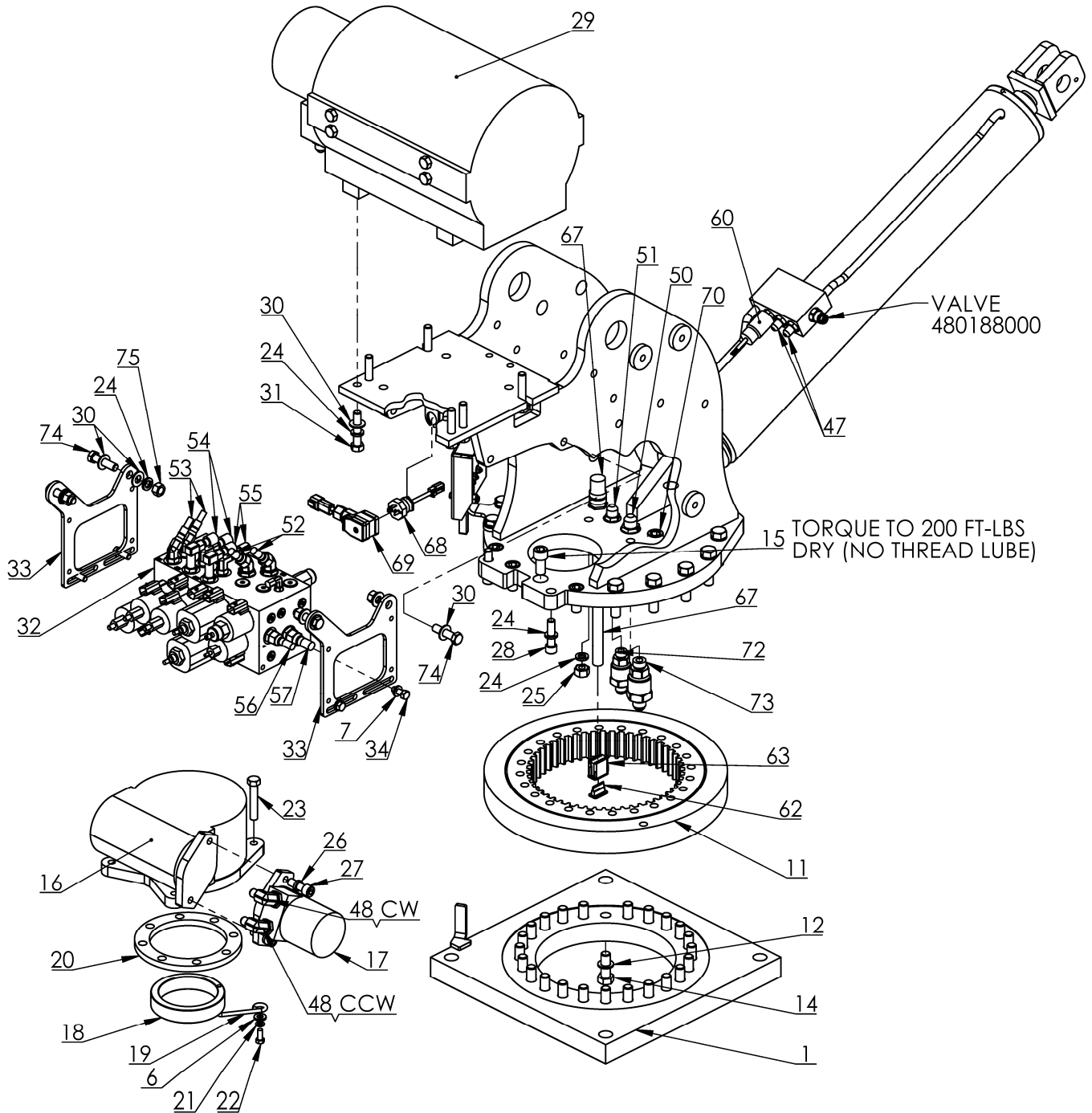


HYDRAULICS:

- "HD" PORT: HOIST DOWN
- "HU" PORT: HOIST UP
- "CW" PORT: ROTATION CW
- "CCW" PORT: ROTATION CCW
- "BU" PORT: LIFT CYL EXTEND
- "BD" PORT: LIFT CYL RETRACT
- "EXT" PORT: EXT CYL EXTEND
- "RET" PORT: EXT CYL RETRACT

CYLINDER SEAL KIT: 480988251 (CTD)
COUNTER BALANCE CARTRIDGE: 480188000

8406H PEDESTAL ASSEMBLY HARDWIRED - P/N: 480988201



8406H PEDESTAL ASSEMBLY HARDWIRED - P/N: 480988201

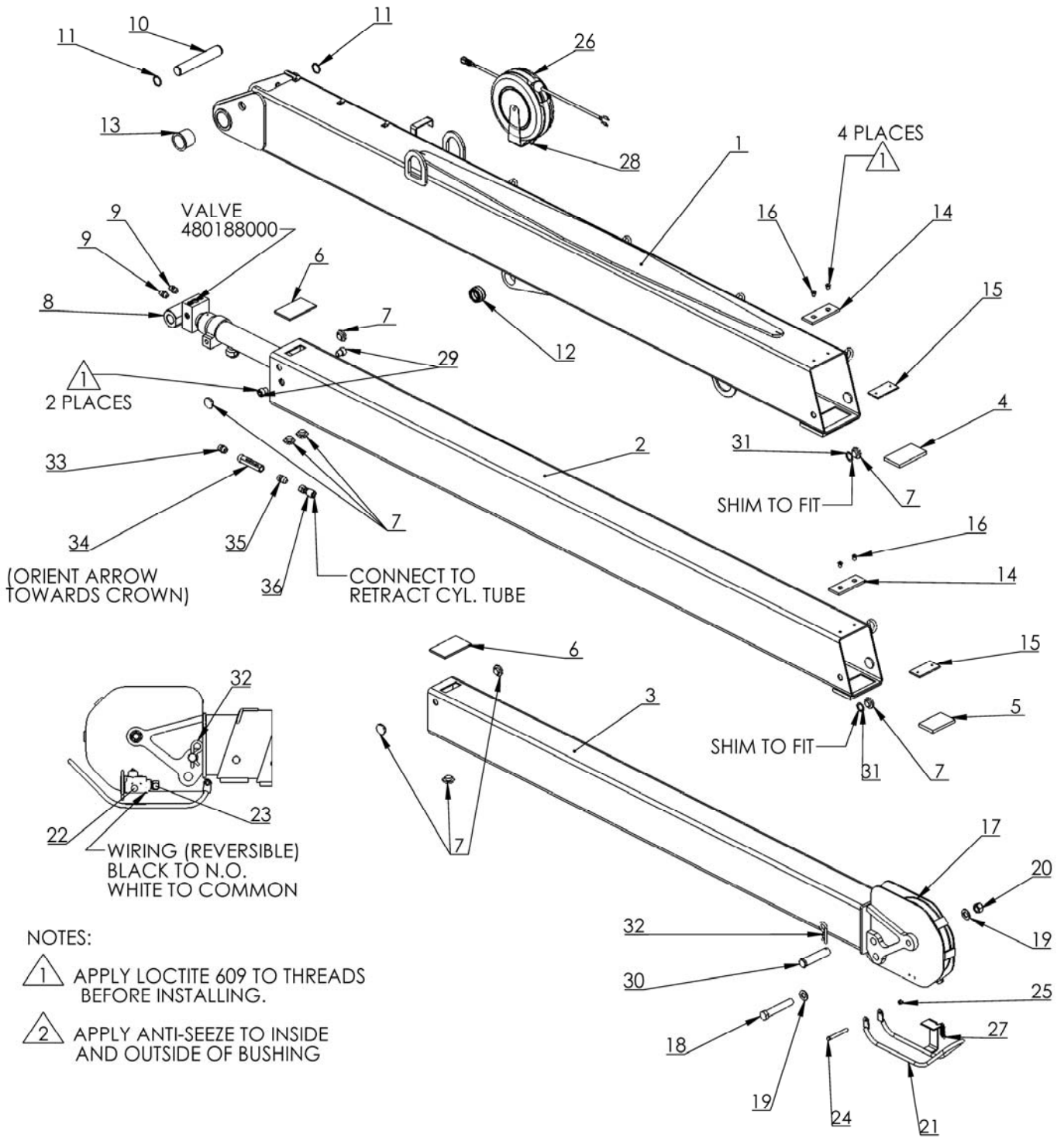
| ITEM NO. | QTY. | PART NO. | DESCRIPTION |
|----------|------|-----------|--|
| 1 | 1 | 480988220 | BASE PLATE WELDMENT |
| 2 | 1 | 480988210 | PEDESTAL WELD, LARGE CRANE |
| 3 | 1 | 360676000 | PIN, CYLINDER |
| 4 | 1 | 360678000 | PIN, 3/16 COTTERLESS RING |
| 5 | 1 | 480988250 | CYLINDER, LIFT, 8406H, STROKE - 27.81 |
| 6 | 2 | 320976000 | WASHER, FLAT, 3/8 SAE HARDENED |
| 7 | 5 | 021100000 | WASHER SP LK 3/8 |
| 8 | 1 | 008702000 | SCREW HX HD 3/8-16UNC X 1 1/4 LG GR5 |
| 9 | 1 | 366333000 | BEARING, SPHERICAL 1.25 ID |
| 10 | 1 | 239300000 | ZERK, GREASE |
| 11 | 1 | 480023002 | BEARING, ROTATION |
| 12 | 36 | 023902000 | WASHER FL 5/8 HARDENED |
| 13 | 10 | 490171000 | SCREW HX HD 5/8-11UNC X 2 1/4 LG GR8 |
| 14 | 24 | 012198000 | SCREW HX HD 5/8-11UNC X 1 3/4 LG GR8 |
| 15 | 4 | 006205000 | SCREW SOC HD 5/8-11UNC X 1 1/4 LG |
| 16 | 1 | 160407 | GEAR BOX, ROTATION |
| 17 | 1 | 366440000 | ROTATION MOTOR |
| 18 | 1 | 360162000 | RING, ECCENTRIC |
| 19 | 1 | 360207000 | RETAINER ECCENTRIC RING |
| 20 | 1 | 480011000 | SEAL ROTATION BOX |
| 21 | 1 | 020601000 | WASHER SP LK 5/16 |
| 22 | 1 | 007807000 | SCREW HX HD 5/16-18UNC X 3/4 LG GR5 |
| 23 | 2 | 011202000 | SCREW HX HD 1/2-20UNF X 2 3/4 LG GR5 |
| 24 | 14 | 021500000 | WASHER, SP LK 1/2 |
| 25 | 2 | 017704000 | NUT HX HVY 1/2-20UNF |
| 26 | 2 | 021502000 | WASHER SP LK 1/2 HI COLLAR |
| 27 | 2 | 012197000 | SCREW SOC HD 1/2-13UNC X 1 1/2 LG |
| 28 | 2 | 009118000 | SCREW SOC HD 1/2-13UNC X 2 LG |
| 29 | 1 | 123315 | WINCH -RPH 4200 |
| 30 | 14 | 320588000 | WASHER, FL 1/2, HARDENED |
| 31 | 6 | 011609000 | SCREW 1/2 X 2 1/2NC GR5 |
| 32 | 1 | 460140000 | VALVE, CONTROL 4 FUNC, W/BOOM DOWN RELIEF |
| 33 | 2 | 460177250 | PLATE, MANIFOLD MOUNT, LARGE CRANE |
| 34 | 4 | 330371000 | SCREW HX HD 3/8-16UNC X 1 LG GR8 |
| 35 | 1 | 460110000 | ROTATION STOP SWITCH ASSEMBLY |
| 36 | 1 | 366676000 | COVER, ROTATION STOP |
| 37 | 1 | 460079000 | BEARING, ROTATION STOP |
| 38 | 1 | 366671000 | ARM, ROTATION STOP |

8406H PEDESTAL ASSEMBLY HARDWIRED - P/N: 480988201

| ITEM NO. | QTY. | PART NO. | DESCRIPTION |
|----------|------|-----------|---|
| 39 | 4 | 460094000 | SCREW, SOC HD, #10-24 X 1"L, ZPL |
| 40 | 4 | 020000000 | WASHER FL #10 ZP |
| 41 | 4 | 015801000 | NUT HX NYLK #10-24UNC ZP |
| 42 | 1 | 366675000 | WASHER, NYLON |
| 43 | 1 | 366673000 | PIN, ROTATION STOP |
| 44 | 1 | 480988255 | PLATE, ROTATION STOP BRACKET |
| 45 | 2 | 017301000 | NUT HX NYLK 3/8-16UNC CP |
| 46 | 1 | 813008000 | KIT, HOSE, 8406H |
| 47 | 2 | 200876000 | FITTING 6 SAE/6 JIC STRAIGHT |
| 48 | 2 | 490198000 | FITTING 10SAE(M)/6JIC ELBOW 90 |
| 49 | 2 | 372041000 | FITTING 8JIC/10SAE STRAIGHT 8-10 F5OX |
| 50 | 1 | 490199000 | FITTING STR 10-SAE/10-JIC |
| 51 | 1 | 367145000 | FITTING STR 8-SAE/8-JIC |
| 52 | 2 | 812303023 | HOSE ASSY 8 JIC STR |
| 53 | 2 | 812203022 | HOSE ASSY, -6 JIC FEM, STR |
| 54 | 2 | 812203037 | HOSE ASSY 6 JIC STR |
| 55 | 2 | 480205000 | HOSE ASSY 6 STR X 19.25 |
| 56 | 1 | 812309026 | HOSE ASSY 8 STR/90 |
| 57 | 1 | 812409023 | HOSE ASSY 10 STR/90 |
| 58 | 1 | 374086000 | NYLON HOSE SLEEVE |
| 59 | 1 | 470091000 | KIT, ELECTRICAL, LARGE-H-CRANE, HW |
| 60 | 1 | 480988252 | LOAD SENSOR SWITCH, 2620 PSI |
| 61 | 1 | 016300000 | NUT HX NYLK 1/4-20UNC |
| 62 | 1 | 366522002 | WEDGE, DEUTSCH PLUG, 12 SOCKET |
| 63 | 1 | 366522001 | HOUSING, PLUG, DEUTSCH 12-PIN |
| 64 | 1 | 320355000 | RELAY, BOSCH |
| 65 | 1 | 460177253 | WASHER, 0.28 ID X 1.0 OD X .06 THICK |
| 66 | 1 | 006200000 | SCREW HX HD 1/4UNC X 1 1/4 GR5 |
| 67 | 1 | 680195000 | HARNESS, HW, LARGE CRANE |
| 68 | 1 | 470011000 | CABLE ASSY, AMP TO 2-PIN DEUTSCH |
| 69 | 1 | 470010000 | AMPLIFIER ASSY, 4-PIN DEUTSCH |
| 70 | 1 | 750426000 | PLUG, 1/4 NPT, SOC HD |
| 71 | 1 | 366698000 | CORD GRIP .375-.500 3/4" HUB |
| 72 | 1 | 366359000 | FITTING, -8 SAE / -8 JIC, SWIVEL, STR |
| 73 | 1 | 366358000 | FITTING, -10 SAE / -10 JIC, SWIVEL, STR |
| 74 | 4 | 011608000 | SCREW HX HD 1/2UNC X 2 GR5 |
| 75 | 4 | 017701000 | NUT HX 1/2-13UNC |
| 76 | 2 | 368121000 | SCREW HX HD 5/8UNC X 2-1/2 CP GR8 |

8406H BOOM ASSEMBLY

P/N: 480988100



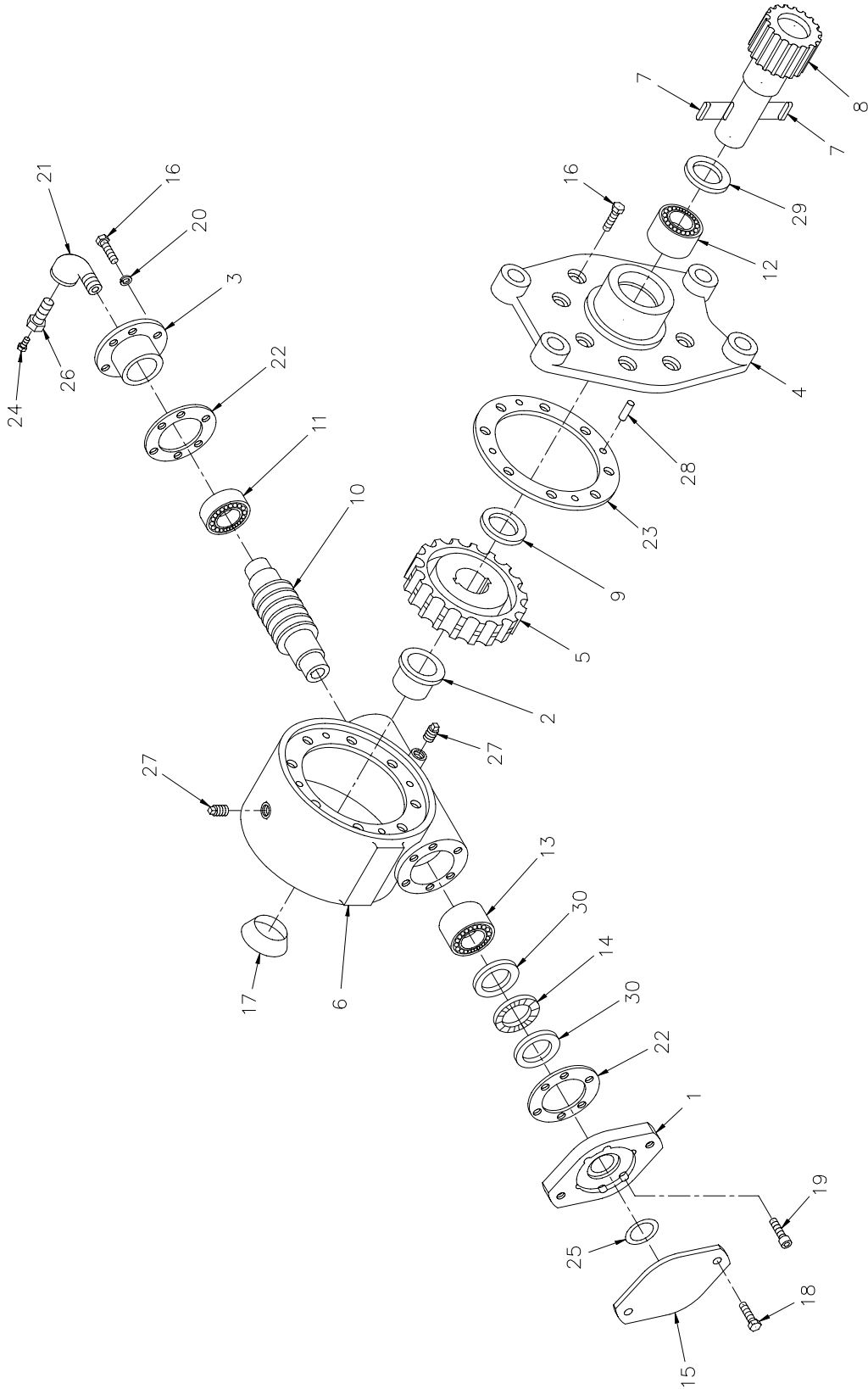
CYL SEAL KIT P/N: 480988151
 C'BAL P/N: 360153001

8406H BOOM ASSEMBLY

P/N: 480988100

| ITEM NO. | QTY. | PART NO. | DESCRIPTION |
|----------|------|-----------|---|
| 1 | 1 | 480988110 | LOWER BOOM WELD, 8406H |
| 2 | 1 | 480988120 | MID BOOM WELD, 8406H |
| 3 | 1 | 480988130 | UPPER BOOM WELD, 8406H |
| 4 | 1 | 460052000 | WEAR PAD, BOTTOM MID |
| 5 | 1 | 460053000 | WEAR PAD, BOTTOM UPPER |
| 6 | 2 | 460177160 | WEAR PAD, 5.13X3X.25, BOSS 1X3 |
| 7 | 11 | 360767000 | PAD BOOM 1.5 O.D. |
| 8 | 1 | 480988150 | CYLINDER, EXTENSION, STROKE - 48/72 |
| 9 | 2 | 200876000 | FITTING 6 SAE/6 JIC STRAIGHT |
| 10 | 1 | 460177161 | PIN, 1.25OD, 7.81 GRIP |
| 11 | 2 | 480029000 | RING RETAINING |
| 12 | 1 | 366333000 | BEARING, SPHERICAL 1.25 ID |
| 13 | 2 | 366394000 | BEARING, PIVOT |
| 14 | 2 | 460081000 | WEAR PAD, CABLE |
| 15 | 2 | 460082000 | PLATE, WEAR PAD RETAINER |
| 16 | 4 | 460177163 | SCREW SOC HD CTRS NK 5/16-24UNF X 5/8 LG |
| 17 | 1 | 366198000 | SHEAVE ASSY 3/8 |
| 18 | 1 | 014400000 | SCREW HX HD 3/4-16UNF X 5 LG GR5 |
| 19 | 2 | 022102000 | WASHER FL 3/4 |
| 20 | 1 | 018600000 | NUT HX NYLK 3/4-16UNF CP |
| 21 | 1 | 360718000 | BAIL WELDMENT |
| 22 | 1 | 646900000 | SWITCH, LIMIT ANTI-TWO BLOCK |
| 23 | 1 | 642918000 | CORD CONNECTOR |
| 24 | 1 | 007803000 | SCREW HX HD 5/16-18UNC X 3-1/2 GR5 |
| 25 | 1 | 016801000 | NUT HX NYLK 5/16-18UNC CP |
| 26 | 1 | 360759001 | CORD REEL ASSY |
| 27 | 1 | 366678000 | SPRING, EXTENSION |
| 28 | 1 | 360882000 | NUT, PUSH-ON TYPE (.161-.164DIA) |
| 29 | 2 | 460177162 | SCREW SOC HD 5/8-11UNC X 3/4 LG |
| 30 | 1 | 470076000 | PIN, 1 DIA 4-11/16 LG |
| 31 | 4 | 460177164 | SHIM, 1.31 OD X 0.9 ID X 0.04 TH, NYLON |
| 32 | 1 | 360124000 | PIN HITCH |
| 33 | 1 | 374400000 | FITTING, -8 ORB, -8 ORB, STRAIGHT |
| 34 | 1 | 460177180 | VALVE, IN-LINE RELIEF, 400PSI |
| 35 | 1 | 770055000 | FITTING 8 SAE/8 JIC STRAIGHT |
| 36 | 1 | 812234017 | HOSE ASSY, -8 JICF/-8 JICF, -6 HOSE, 17LG |

8406H ROTATION GEARBOX P/N: 160407



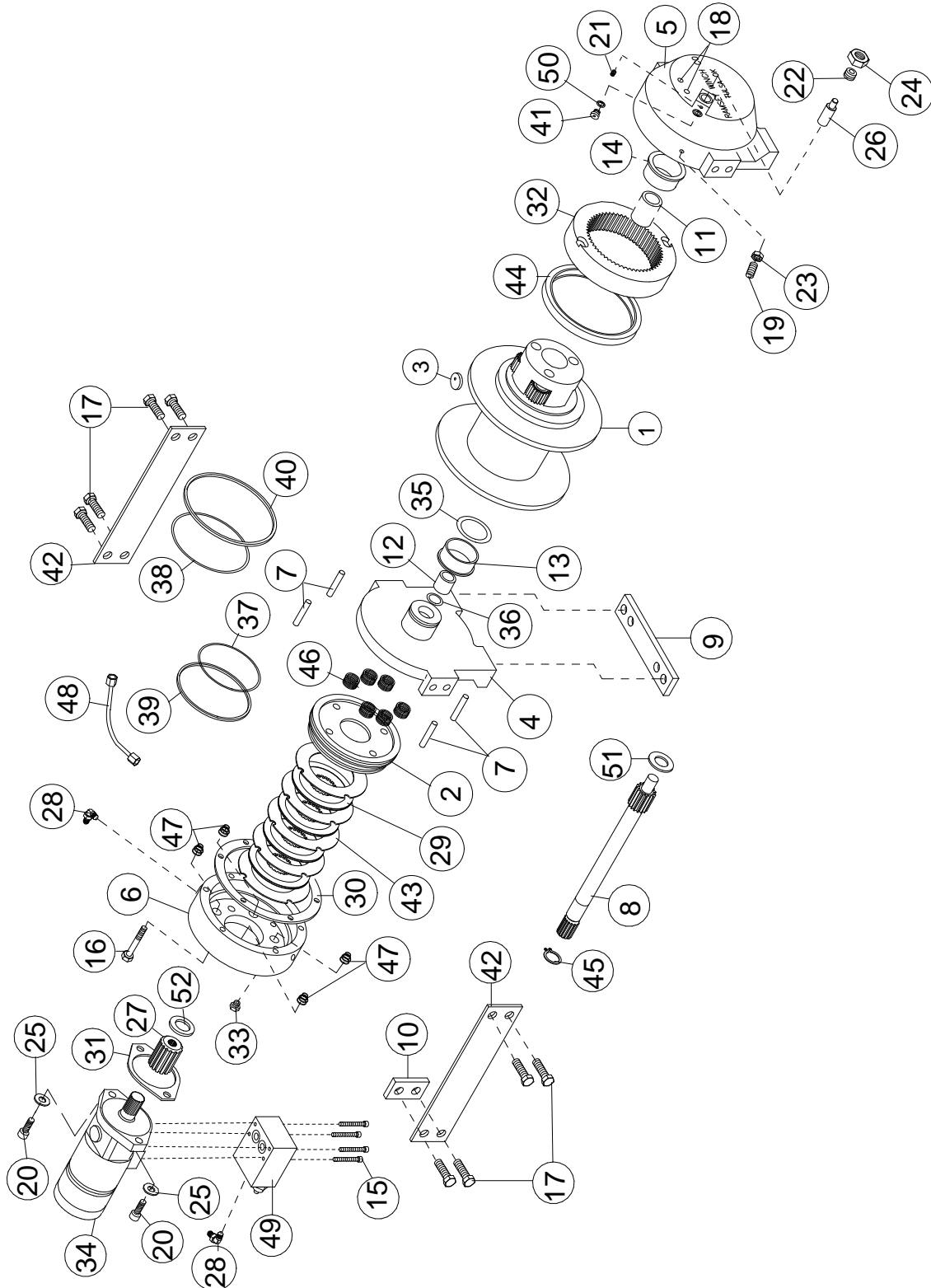
8406H ROTATION GEARBOX

P/N: 160407

| ITEM NO. | QTY. | PART NO. | DESCRIPTION |
|----------|------|----------|--|
| 1 | 1 | 300058 | ADAPTER |
| 2 | 1 | 308085 | BUSHING |
| 3 | 1 | 316092 | CAP BEARING |
| 4 | 1 | 328126 | COVER |
| 5 | 1 | 334016 | GEAR R.H. |
| 6 | 1 | 338261 | HOUSING GEAR |
| 7 | 2 | 342120 | KEY |
| 8 | 1 | 357139 | SHAFT OUTPUT |
| 9 | 1 | 366019 | WASHER THRUST |
| 10 | 1 | 368183 | WORM R.H. |
| 11 | 1 | 402044 | BEARING BALL |
| 12 | 1 | 402105 | BEARING NEEDLE |
| 13 | 1 | 402106 | BEARING NEEDLE |
| 14 | 1 | 402107 | BEARING THRUST |
| 15 | 1 | 413013 | COVER |
| 16 | 14 | 414146 | SCREW HX HD 5/16 NC X 1 1/4 GR5 (NYLON HEAVY PATCH) |
| 17 | 1 | 530101 | PLUG - EXPANSION |
| 18 | 2 | 414581 | SCREW HX HD 1/2 NC X 3/4 GR5 |
| 19 | 6 | 414869 | SCREW SOC HD 5/16 NC X 1 |
| 20 | 6 | 418163 | WASHER LK 5/16 MED SECT |
| 21 | 1 | 432011 | ELL 90 DEG |
| 22 | 2 | 442182 | GASKET |
| 23 | 1 | 442187 | GASKET |
| 24 | 1 | 456008 | FITTING RELIEF |
| 25 | 1 | 462029 | O-RING |
| 26 | 1 | 468002 | REDUCER |
| 27 | 2 | 468018 | PLUG PIPE |
| 28 | 4 | 470062 | PIN DOWEL |
| 29 | 1 | 486071 | SEAL OIL |
| 30 | 2 | 518026 | WASHER THRUST |

8406H HOIST ASSEMBLY

P/N: 123315



8406H HOIST ASSEMBLY

P/N: 123315

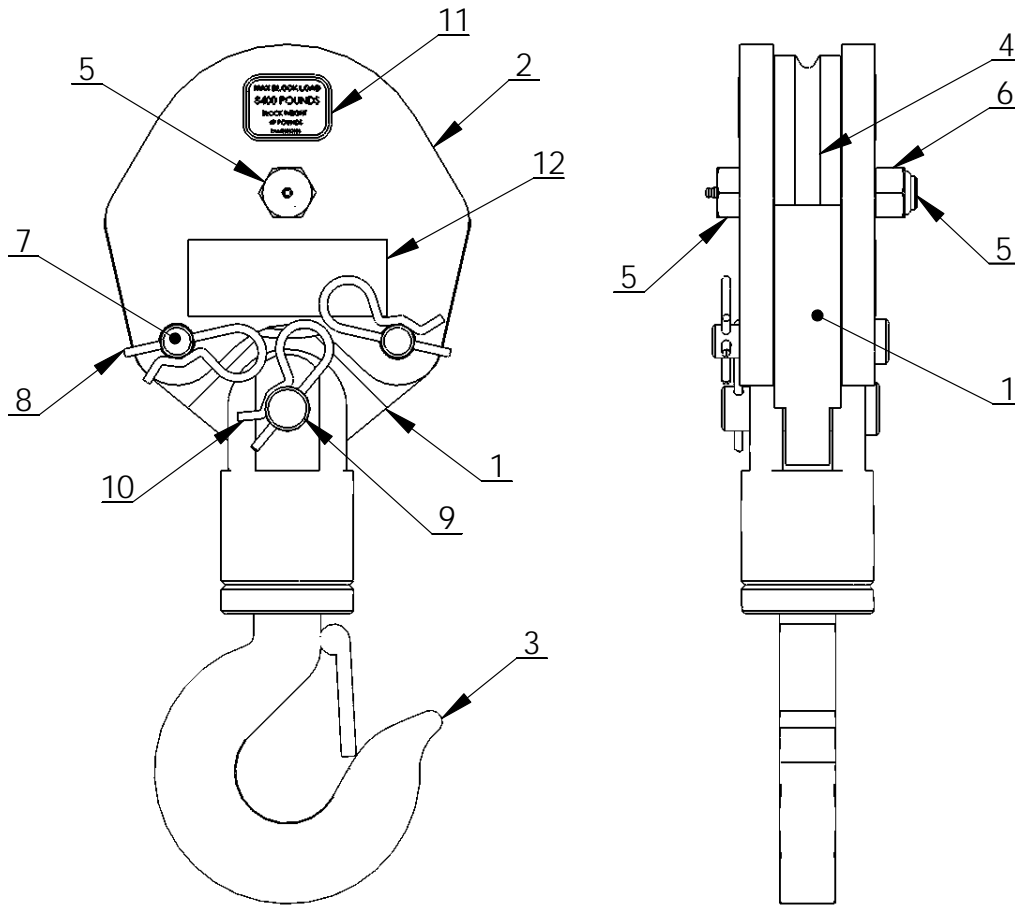
| ITEM NO. | QTY. | PART NO. | DESCRIPTION |
|----------|------|----------|-------------------------------------|
| 1 | 1 | 234189 | DRUM ASSEMBLY |
| 2 | 1 | 306042 | PISTON-BRAKE |
| 3 | 1 | 315004 | ANCHOR- CABLE |
| 4 | 1 | 338300 | END BRG-MOTOR END |
| 5 | 1 | 338301 | END BRG-GEAR HSG. |
| 6 | 1 | 338302 | HSG-BRAKE |
| 7 | 4 | 346045 | PIN-BRAKE |
| 8 | 1 | 357513 | SHAFT- INPUT |
| 9 | 2 | 362291 | SPACER - FOOT MOUNTING |
| 10 | 4 | 362284 | SPACER - TIE PLATE |
| 11 | 1 | 402120 | BEARING |
| 12 | 1 | 402121 | BEARING |
| 13 | 1 | 412084 | BUSHING-DRUM,MOTOR END |
| 14 | 1 | 412085 | BUSHING-DRUM,GEAR END |
| 15 | 4 | 414129 | CAPSCREW 5/16-18NCX3 LG HX HD GR-5 |
| 16 | 6 | 414303 | BOLT-3/8-16NC X2 1/2,HXHD,GR-5, Z/P |
| 17 | 8 | 414548 | CAPSCREW-1/2-13NCX1 1/2,HXHD,Z/P,G5 |
| 18 | 2 | 414854 | SCREW-1/4-20NCX1/2LG,RDHD,SLOT,Z/PL |
| 19 | 1 | 414926 | SETSCREW-3/8-16NC X1,SOCKET,NYLON |
| 20 | 2 | 414948 | CAPSCREW-1/2-13NCX1 1/4LG,SOCKET HD |
| 21 | 1 | 416016 | SETSCREW1/4-20NCX1/4 HX SOCK HD CUP |
| 22 | 1 | 416080 | SETSCREW-5/8-18NF X1 LG,HXSOCHD,CUP |
| 23 | 1 | 418036 | NUT-3/8-16 NC,HEX JAM,Z/P |
| 24 | 1 | 418088 | NUT-JAM 5/8-18NF HEX HD,ZINC PLT |
| 25 | 2 | 418218 | LOCKWASHER-1/2 ID MED SECT,ZINC PLT |
| 26 | 1 | 426048 | PLUNGER-CLUTCH,BLOCKED |
| 27 | 1 | 431015 | COUPLING-MOTOR |
| 28 | 2 | 432018 | FITTING |
| 29 | 4 | 438022 | DISC-BRAKE |
| 30 | 1 | 442220 | GASKET-BRAKE HSG. |
| 31 | 1 | 442223 | GASKET-MOTOR FLANGE |
| 32 | 1 | 444085 | GEAR-RING,P/M |
| 33 | 1 | 456038 | FITTING-VENT,BREATHER |
| 34 | 1 | 458121 | MOTOR-HYDRAULIC (RPH-3600) |
| 35 | 1 | 462046 | O-RING |
| 36 | 1 | 462056 | O-RING |
| 37 | 1 | 462057 | O-RING |
| 38 | 1 | 462058 | O-RING |
| 39 | 1 | 462059 | O-RING-BACK-UP |
| 40 | 1 | 462060 | O-RING-BACK-UP |

8406H HOIST ASSEMBLY
P/N: 123315

| ITEM NO. | QTY. | PART NO. | DESCRIPTION |
|----------|------|----------|------------------------|
| 41 | 1 | 472052 | PLUG |
| 42 | 2 | 474065 | TIE PLATE |
| 43 | 5 | 474111 | PLATE-SEPARATOR, BRAKE |
| 44 | 1 | 486080 | SEAL |
| 45 | 1 | 490037 | SNAP RING |
| 46 | 6 | 494110 | SPRING-BRAKE |
| 47 | 4 | 494112 | SPRING |
| 48 | 1 | 509009 | TUBE ASSY |
| 49 | 1 | 516033 | VALVE-MOTOR CONTROL |
| 50 | 1 | 518037 | THRUST WASHER |
| 51 | 1 | 518047 | THRUST WASHER |
| 52 | 1 | 518052 | THRUST WASHER |

8406H TRAVELING BLOCK ASSEMBLY

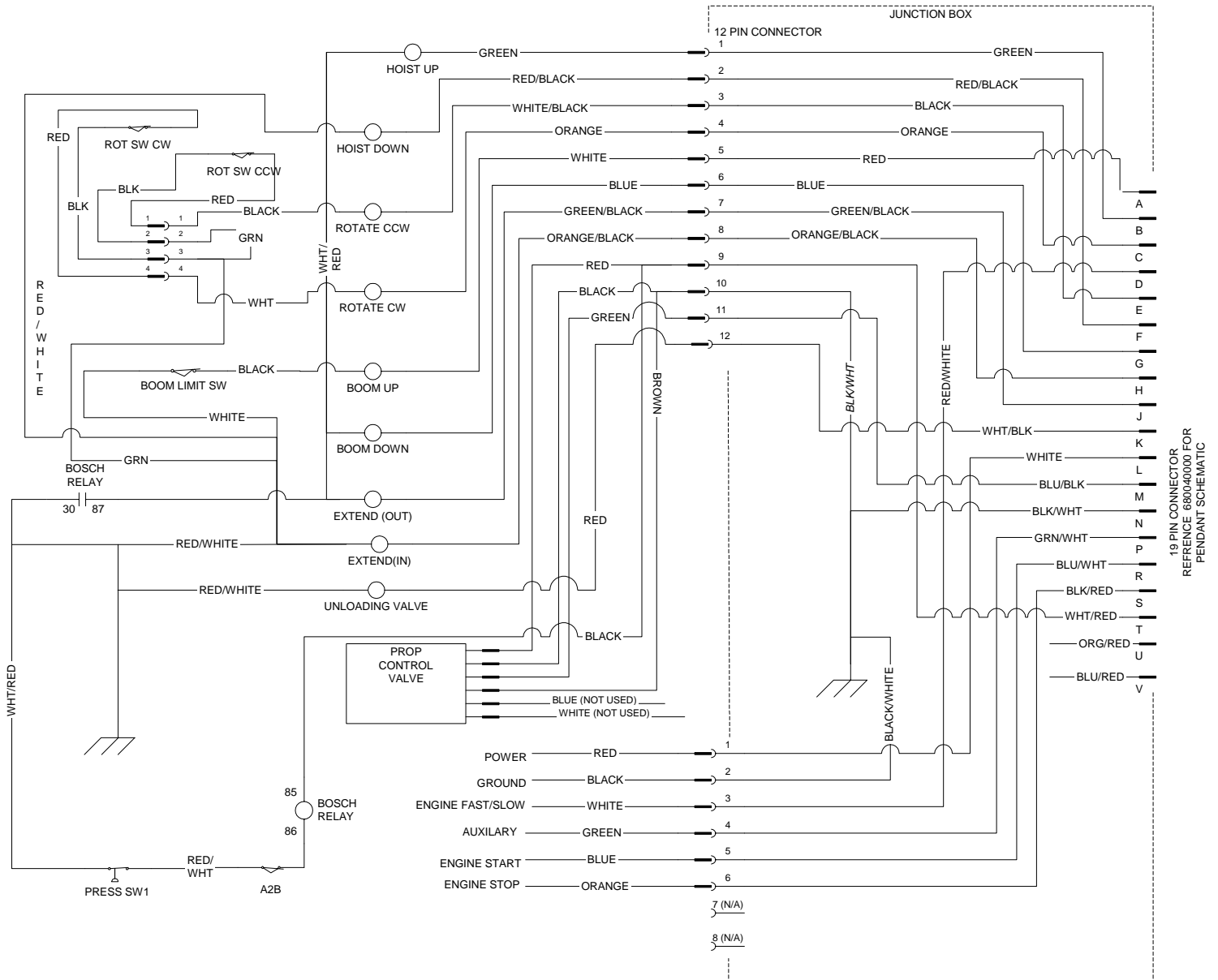
P/N: 480854000



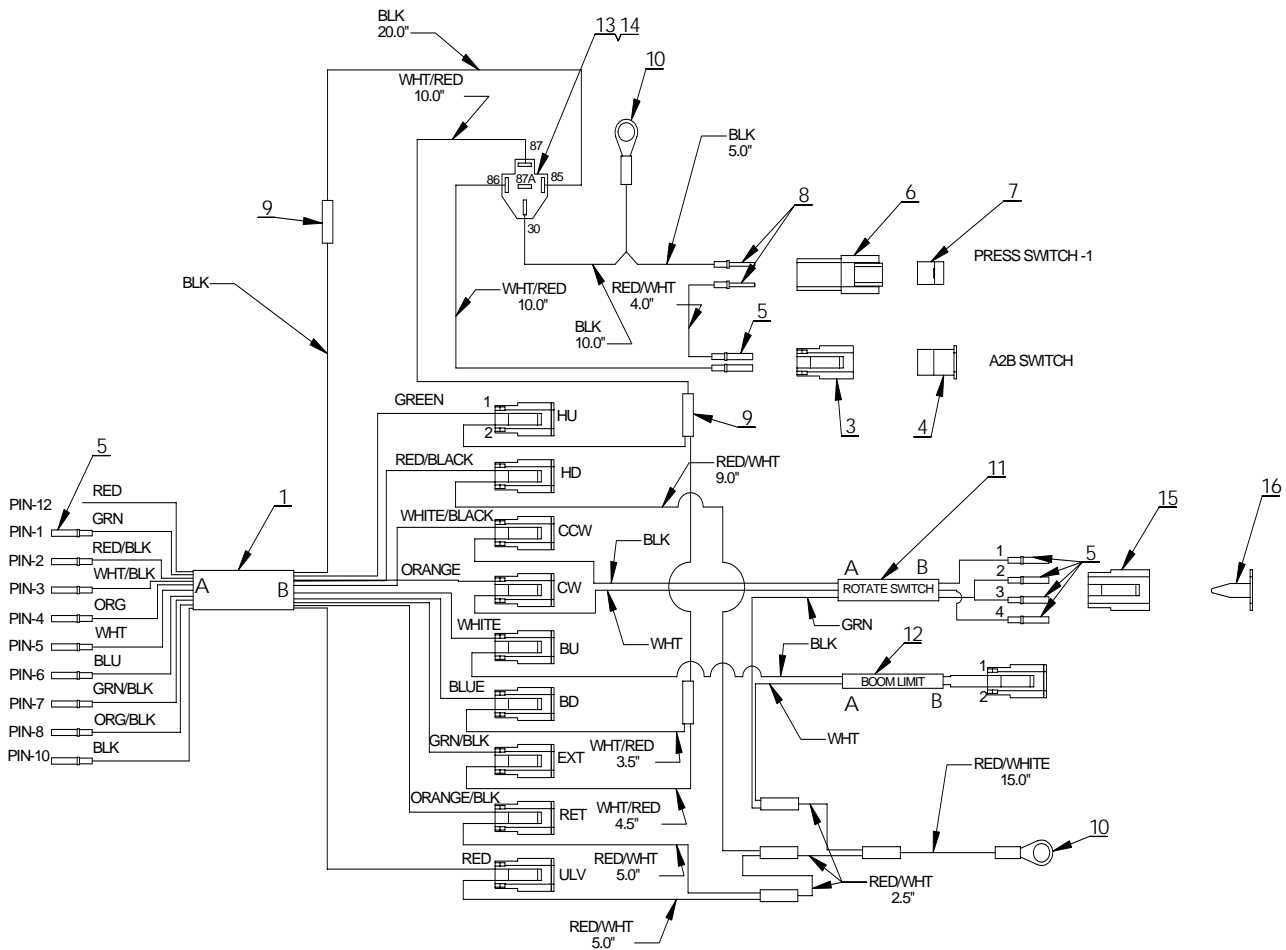
| ITEM NO. | QTY. | PART NO. | DESCRIPTION |
|----------|------|-----------|-----------------------------|
| 1 | 1 | 480860000 | TACKLE LOWER |
| 2 | 2 | 480859000 | SIDE PLATE TRAVELING BLOCK |
| 3 | 1 | 480366000 | HOOK SWIVEL 6 METRIC TON |
| 4 | 1 | 480861000 | SHEAVE ASSY 3/8 ROPE |
| 5 | 1 | 490313000 | BOLT, SHEAVE W/ZERK FITTING |
| 6 | 1 | 018600000 | NUT HX NYLK 3/4-16UNF CP |
| 7 | 2 | 480863000 | PIN 3/4 X 3-1/2 |
| 8 | 2 | 366813000 | PIN HITCH |
| 9 | 1 | 480368000 | PIN SWIVEL HOOK |
| 10 | 1 | 360124000 | PIN HITCH |
| 11 | 2 | 480853000 | DECAL MAX BLOCK LOAD |
| 12 | 2 | 040518000 | DECAL STAY CLEAR OF LOAD |

8406H ELECTRICAL SCHEMATIC

HARDWIRED - P/N: 366372000



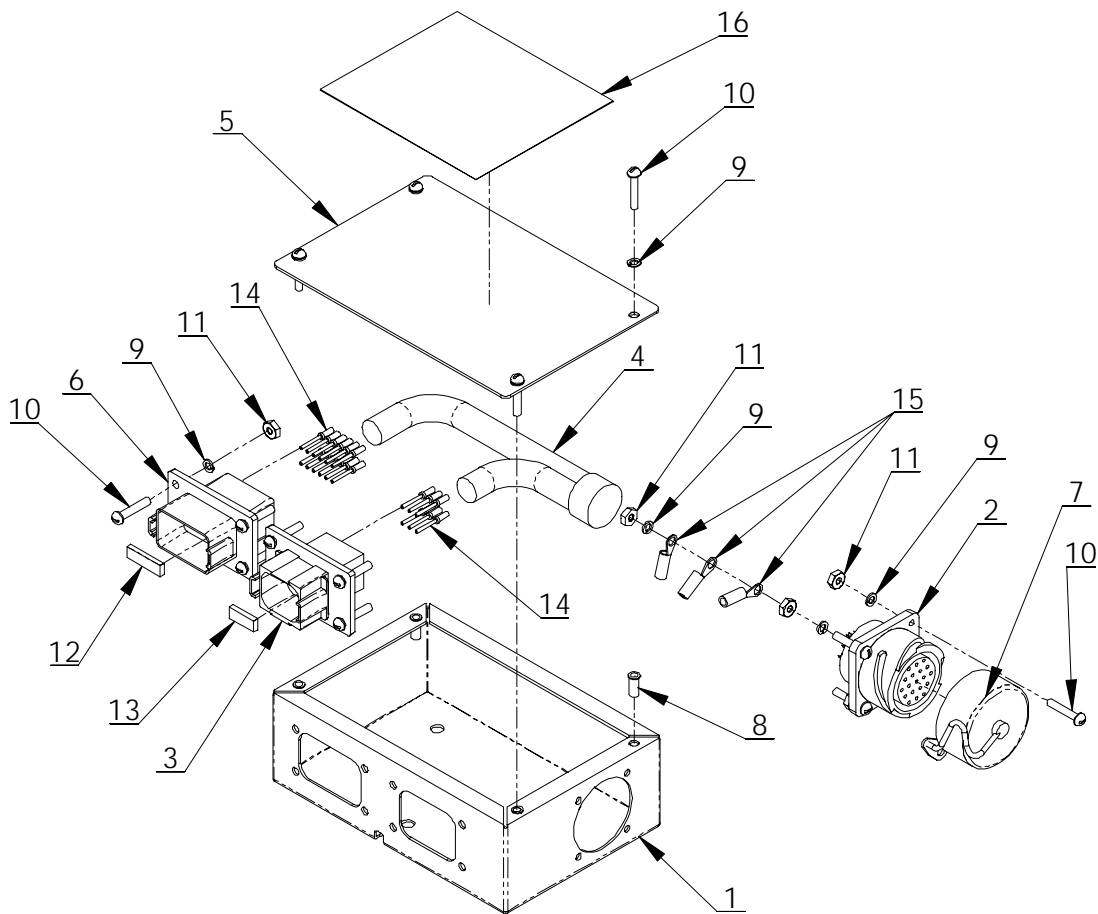
8406H MAIN WIRING HARNESS HARDWIRED - P/N: 460120001



| ITEM NO. | QTY | PART No. | DESCRIPTION |
|----------|-----|-----------|-----------------------------------|
| 1 | 1 | 800632000 | CABLE, 16/10 SO BLACK |
| 2 | 9 | 366367000 | DEUTSCH 2 PIN Assembly |
| 3 | 2 | 366367001 | HOUSING, DEUTSCH 2-PIN PLUG |
| 4 | 2 | 366367002 | WEDGE, DEUTSCH PLUG, 2 PIN |
| 5 | 17 | 366367003 | CONTACT, DEUTSCH SOCKET |
| 6 | 1 | 360769001 | HOUSING, DEUTSCH 2-PIN RECEPTACLE |
| 7 | 1 | 360769002 | WEDGE, DEUTSCH 2-PIN RECEPTACLE |
| 8 | 2 | 366376003 | CONTACT, DEUTSCH |
| 9 | 7 | 001104000 | TERMINAL SPLICE 14-16 GA |
| 10 | 2 | 000501000 | TERMINAL RING, 5/16, 14-16 GA |
| 11 | 1 | 800628000 | WIRE, 3 CONDUCTOR |
| 12 | 1 | 800626000 | WIRE, 2 CONDUCTOR |
| 13 | 1 | 320363000 | PLUG TERMINAL CONNECTOR |
| 14 | 4 | 320357000 | FEMALE SPADE, NON-INSULATED |
| 15 | 1 | 320931001 | HOUSING, DEUTSCH 4-PIN PLUG |
| 16 | 1 | 320931002 | WEDGE, 4-PIN DEUTSCH PLUG |

| FUNCTION | PIN | WIRE COLOR | NOTES |
|-------------------------|-----|--------------|------------------------------|
| HOIST UP | 1 | GREEN | POWER |
| | 2 | WHITE/RED | TO A2B GROUND |
| HOIST DN | 1 | RED/BLACK | POWER |
| | 2 | RED/WHITE | GROUND |
| ROTATE CCW | 1 | WHITE/BLACK | POWER |
| | 2 | BLACK | TO CCW SWITCH (3 COND CABLE) |
| ROTATE CW | 1 | ORANGE | POWER |
| | 2 | WHITE | TO CW SWITCH (3 COND CABLE) |
| BOOM UP | 1 | WHITE | POWER |
| | 2 | BLACK | BOOM SWITCH CABLE |
| BOOM DN | 1 | BLUE | POWER |
| | 2 | WHITE/RED | TO A2B GROUND |
| EXTEND | 1 | GREEN/BLACK | POWER |
| | 2 | WHITE/RED | TO A2B GROUND |
| RETRACT | 1 | ORANGE/BLACK | POWER |
| | 2 | RED/WHITE | GROUND |
| A2B SWITCH | 1 | RED/WHITE | TO PIN 2, PRESSURE SWITCH |
| | 2 | WHITE/RED | FROM BOSCH RELAY PIN 86 |
| PRESSURE SWITCH | 1 | BLACK | GROUND |
| | 2 | WHITE/RED | FROM A2B PIN 1 |
| ROTATE SWITCH | 1 | BLACK | *PIN 2 ON ROTATE CCW PLUG |
| | 4 | WHITE | **PIN 2 ON ROTATE CW PLUG |
| 3 COND CABLE | 2,3 | GREEN | GROUND |
| | 2 | WHITE | GROUND |
| BOOM LIMIT 2 COND CABLE | 1 | BLACK | ***PIN 2 ON BOOM UP PLUG |
| | 1 | RED | POWER |
| UNLOADING VALVE | 1 | RED | POWER |
| | 2 | RED/WHITE | GROUND |

8406H JUNCTION BOX ASSEMBLY HARDWIRED - P/N: 366520002

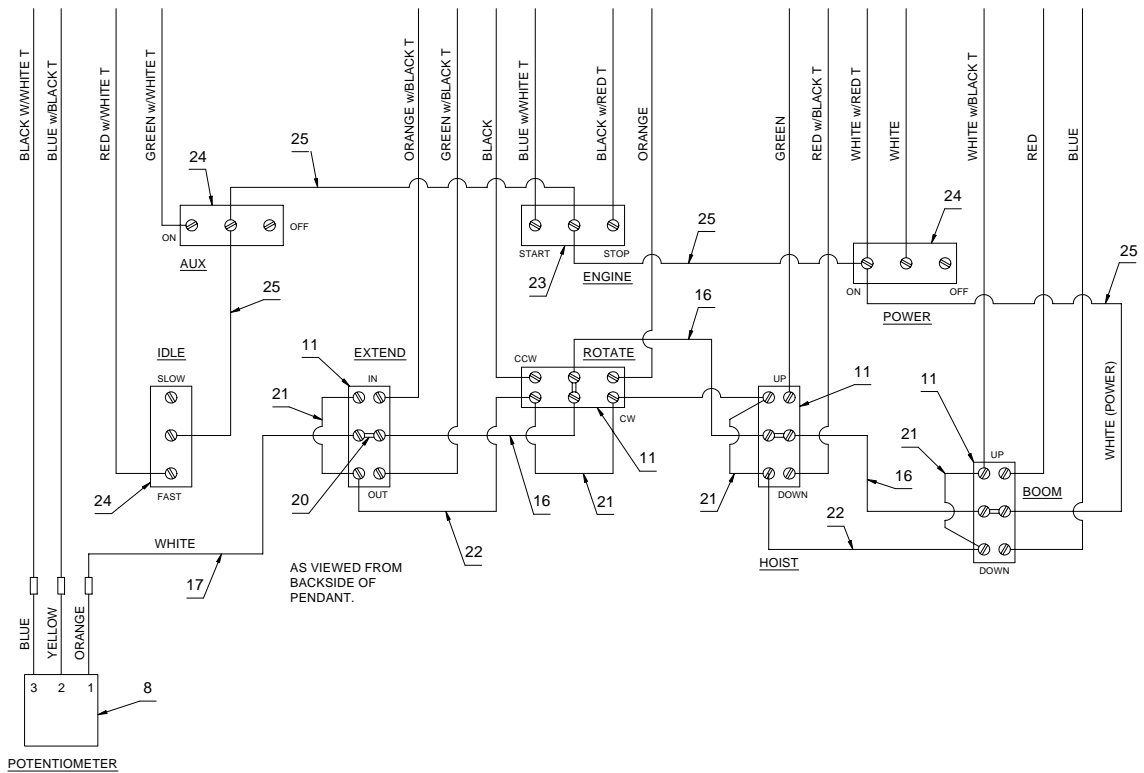
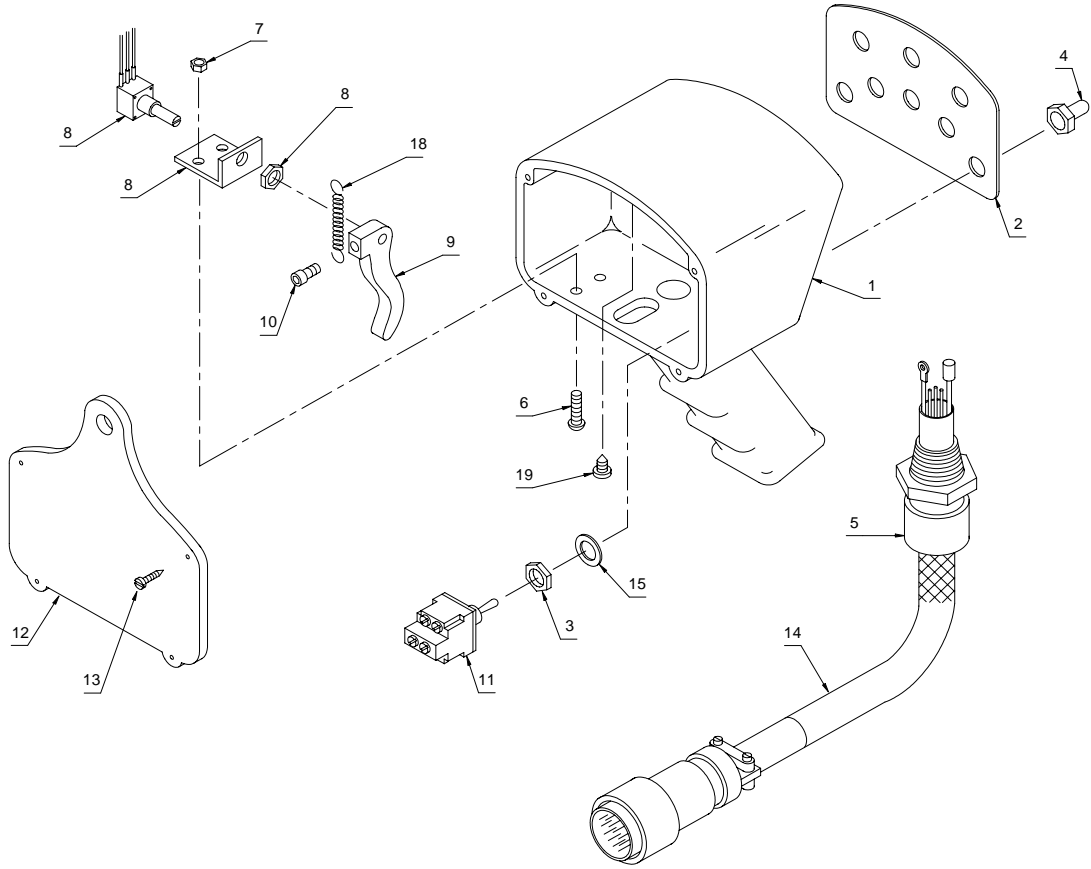


| 19 PIN | 8 PIN | 12 PIN | GND | WIRE COLOR | WIRE CUT LENGTH |
|--------|-------|--------|-----|--------------|-----------------|
| A | | 5 | | RED | 6.5 |
| B | | 1 | | GREEN | 6.5 |
| C | | 4 | | ORANGE | 6.5 |
| D | 3 | | | RED/WHITE | 4.0 |
| E | | 3 | | BLACK | 6.5 |
| F | | 2 | | RED/BLACK | 6.5 |
| G | | 6 | | BLUE | 6.5 |
| H | | 8 | | ORANGE/BLACK | 6.5 |
| J | | 7 | | GREEN/BLACK | 6.5 |
| K | - | 12 | | WHITE/BLACK | 6.5 |
| L | 1 | | | WHITE | 4.0 |
| M | | 11 | | BLUE/BLACK | 6.5 |
| N | | | GND | BLACK/WHITE | 5.5 |
| P | 4 | | | GREEN/WHITE | 4.0 |
| R | 5 | | | BLUE/WHITE | 4.0 |
| S | 6 | | | BLACK/RED | 4.0 |
| T | | 9 | | WHITE/RED | 6.5 |
| U | - | - | | NOT USED | N/A |
| V | - | - | | NOT USED | N/A |
| | | 10 | GND | BLACK/WHITE | 3.0 |
| | 2 | | GND | BLACK/WHITE | 5.0 |

8406H JUNCTION BOX ASSEMBLY HARDWIRED - P/N: 366520002

| ITEM NO. | QTY. | PART NO. | DESCRIPTION |
|----------|------|-----------|------------------------------------|
| 1 | 1 | 366470000 | JUNCTION BOX |
| 2 | 1 | 366095000 | PLUG, 19 PIN |
| 3 | 1 | 366523001 | HOUSING, DEUTSCH 8-PIN RECEPTACLE |
| 4 | 1 | 480594001 | CABLE, PENDANT, 16/10 SO BLACK |
| 5 | 1 | 366471000 | COVER, JUNCTION BOX |
| 6 | 1 | 366524001 | HOUSING, DEUTSCH 12-PIN RECEPTACLE |
| 7 | 1 | 366097000 | CAP W/CHAIN (FOR RECEPTACLE) |
| 8 | 4 | 366517000 | RIVET NUT, 6-32 |
| 9 | 17 | 019600000 | WASHER SP LK #6 |
| 10 | 16 | 001004000 | SCREW PN HD #6 X 3/4 LG |
| 11 | 13 | 015400000 | NUT HX #6-32 |
| 12 | 1 | 366524002 | WEDGE, DEUTSCH RECEPTACLE, 12 PIN |
| 13 | 1 | 366523002 | WEDGE, DEUTSCH RECEPTACLE, 8 PIN |
| 14 | 18 | 366376003 | CONTACT, DEUTSCH |
| 15 | 3 | 000101000 | TERMINAL RING, 5/32, 14-16 GA |
| 16 | 1 | 366469001 | DECAL |

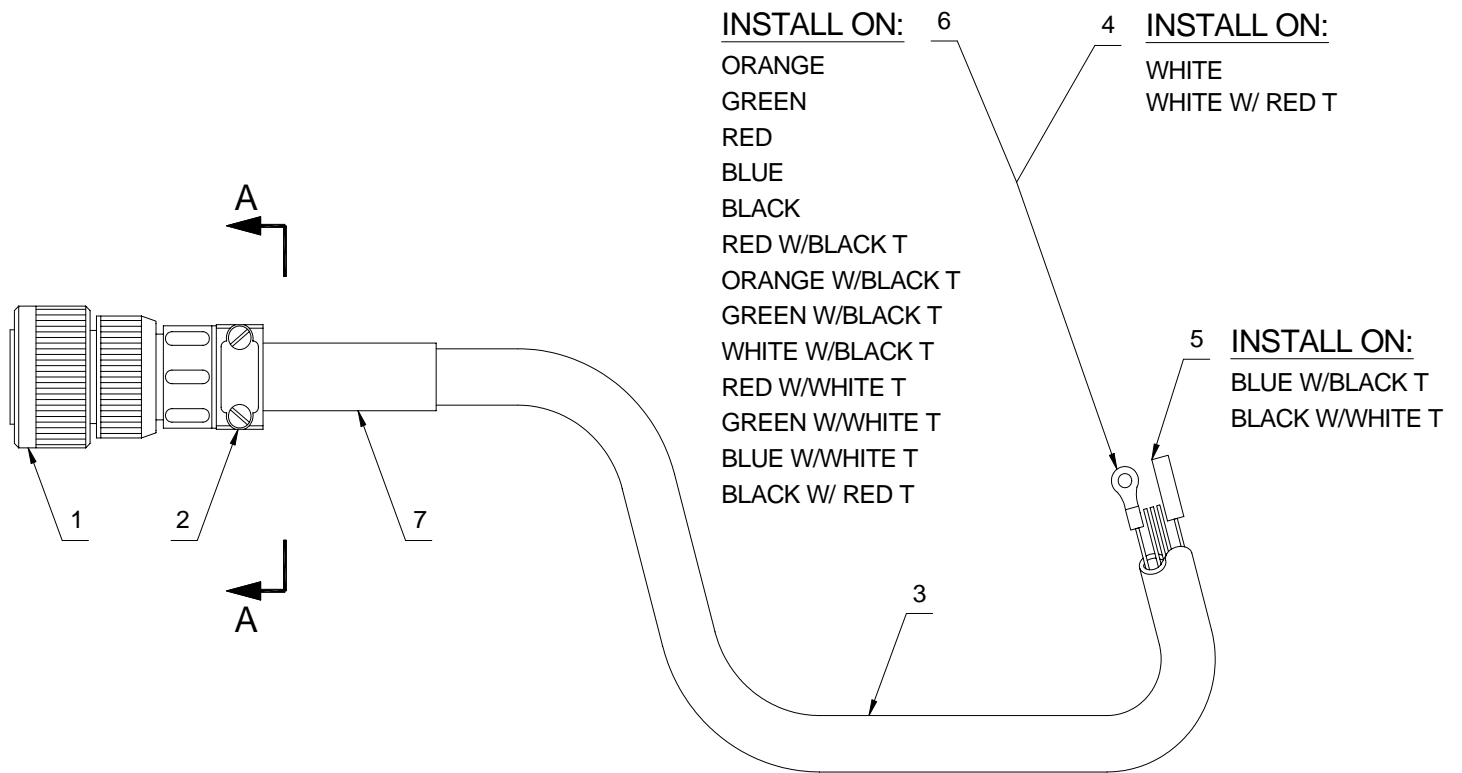
8406H PENDANT ASSEMBLY HARDWIRED - P/N: 680040000



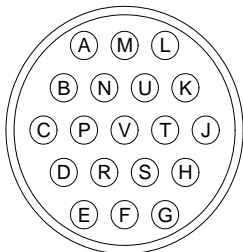
8406H PENDANT ASSEMBLY HARDWIRED - P/N: 680040000

| ITEM | QTY | PART NO. | DESCRIPTION |
|-------------|------------|-----------------|-------------------------------------|
| 1 | 1 | 480501000 | HOUSING, PROP. PENDANT MACHINED |
| 2 | 1 | 480518000 | DECAL/COVER PLATE |
| 3 | 8 | REF | NUT (INCLUDED WITH SWITCH) |
| 4 | 8 | 640300000 | BOOT, TOGGLE |
| 5 | 1 | 480567000 | CORD GRIP, HUBBELL CONNECTOR |
| 6 | 2 | 002607000 | SCREW, HX HD #10-24 NC X 3/4 LG |
| 7 | 2 | 015801000 | NUT, HX, LOCKING, #10-24 NC |
| 8 | 1 | 480507000 | POTENTIOMETER ASSEMBLY |
| 9 | 1 | 480506000 | TRIGGER |
| 10 | 1 | 480517000 | SCREW, SOC HD, #10-32 NF X 5/8 LG |
| 11 | 4 | 634200000 | SWITCH, TOGGLE DPDT |
| 12 | 1 | 480504000 | BACK PLATE, HOUSING |
| 13 | 4 | 001004000 | SCREW, PAN HD, #6-32 X 3/4 LG |
| 14 | 1 | 680113000 | CABLE ASSEMBLY, BAYONET |
| 15 | 8 | REF | WASHER, LOCK (INCLUDED WITH SWITCH) |
| 16 | 3 | 660302000 | CONDUCTOR ASSEMBLY |
| 17 | 1 | 480524000 | CONDUCTOR ASSEMBLY |
| 18 | 1 | 480523000 | SPRING, TRIGGER RETURN |
| 19 | 1 | 005003000 | SCREW PN HD #6-32UNC X 3/8 LG S.T. |
| 20 | 4 | 636600000 | JUMPER |
| 21 | 4 | 622346000 | CONDUCTOR ASSEMBLY |
| 22 | 3 | 622347000 | CONDUCTOR ASSEMBLY |
| 23 | 1 | 622000000 | SWITCH, TOGGLE SPDT |
| 24 | 3 | 750090000 | SWITCH, TOGGLE ON/OFF |
| 25 | 1 | 480526000 | CONDUCTOR ASSEMBLY |
| 26 | 2 | 750737000 | TIE, CABLE |

8406H PENDANT CABLE ASSEMBLY HARDWIRED - P/N: 680113000



WIRING GUIDE



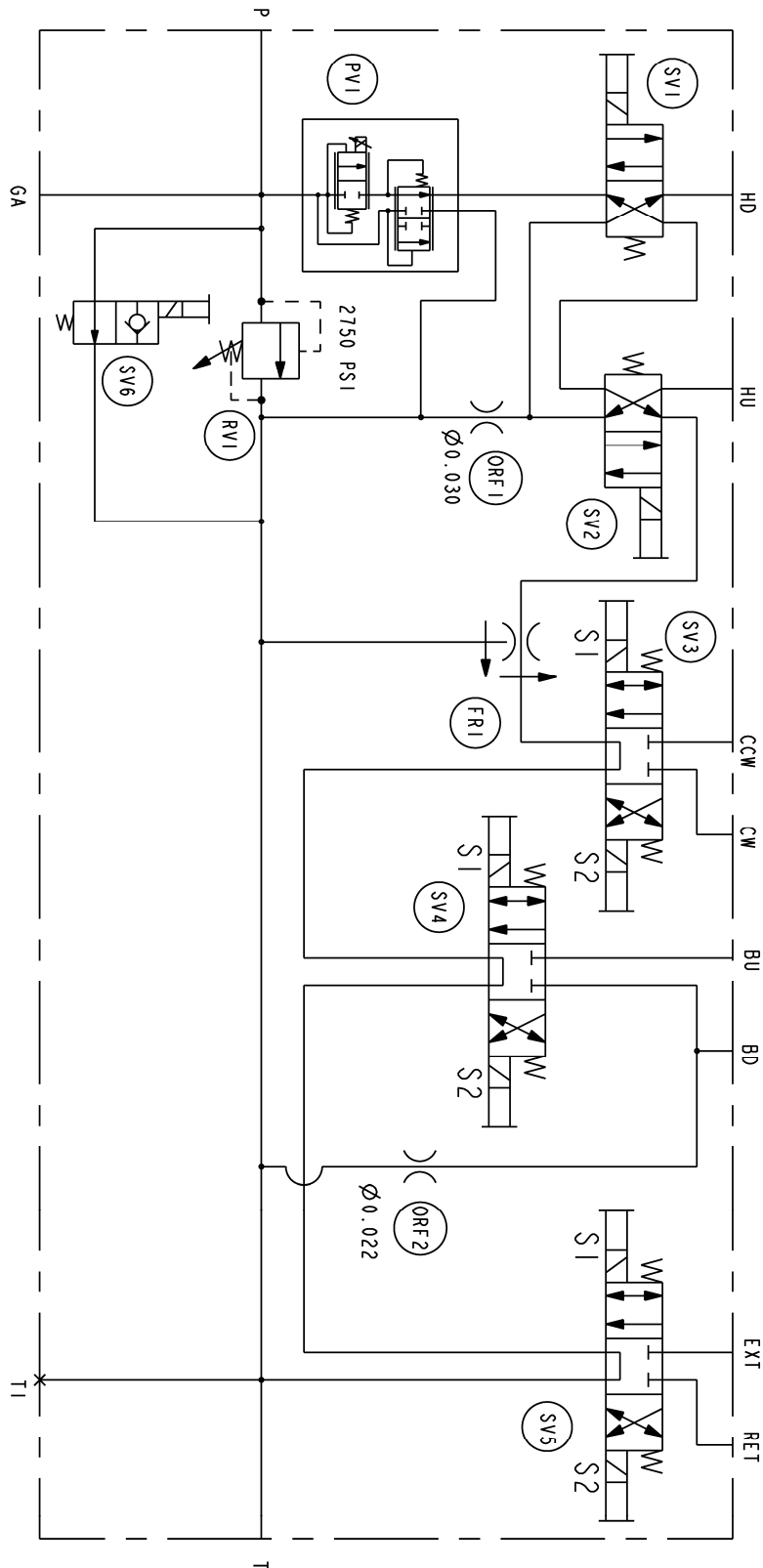
VIEW A-A

- | | |
|---|---|
| A-RED B-GREEN C-ORANGE D-RED W/WHITE T E-BLACK F-RED W/BLACK T G-BLUE H-ORANGE W/BLACK T J-GREEN W/BLACK T K-WHITE W/BLACK T | L-WHITE M-BLUE W/BLACK T N-BLACK W/WHITE T P-GREEN W/WHITE T R-BLUE W/WHITE T S-BLACK W/RED T T-WHITE W/RED T U-ORANGE W/RED T V-BLUE W/RED T |
|---|---|

| ITEM NO. | QTY. | PART NO. | DESCRIPTION |
|----------|------|-----------|-----------------------------|
| 1 | 1 | 366098000 | PLUG, CONNECTOR |
| 2 | 1 | 480515000 | CLAMP, CABLE |
| 3 | 30' | 480594000 | CABLE, CONDUCTOR (19 COND) |
| 4 | 2 | 000101000 | TERMINAL RING #6 / 14-16 GA |
| 5 | 2 | 480510000 | CONNECTOR, BULLET, FEMALE |
| 6 | 13 | 002012000 | TERMINAL RING #6 / 18-22 GA |
| 7 | 6" | 490243000 | TUBING, HEAT SHRINK |

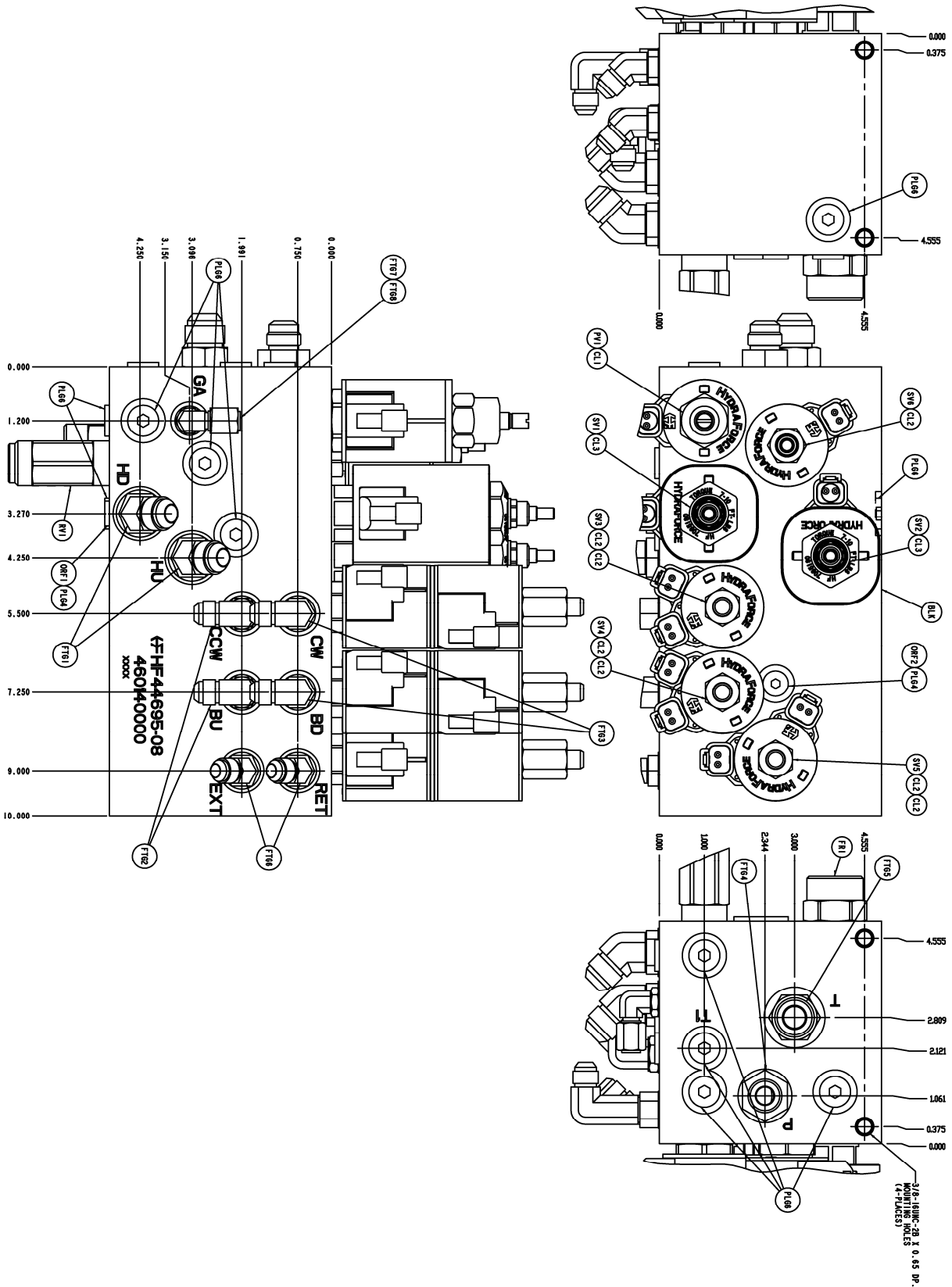
8406H HYDRAULIC SCHEMATIC

P/N: 460140000



8406H HYDRAULIC CONTROL VALVE

P/N: 460140000



8406H HYDRAULIC CONTROL VALVE

P/N: 460140000

| ITEM | QTY | PART NO. | DESCRIPTION |
|---------------|-----|-----------|--------------|
| FR1 | 1 | 480839002 | FLOW CONTROL |
| PV1 | 1 | 480839003 | PROP VALVE |
| RV1 | 1 | 366365004 | RELIEF VALVE |
| SV6 | 1 | 460160001 | UNLOAD VALVE |
| SV3, SV4, SV5 | 3 | 320725001 | CART VALVE |
| SV1, SV2 | 2 | 480839004 | CART VALVE |
| CL1 | 1 | 366370001 | COIL |
| CL2 | 7 | 460160002 | COIL |
| CL3 | 2 | 480839005 | COIL |
| FTG1 | 2 | 374017000 | FITTING |
| FTG2 | 2 | 241175000 | FITTING |
| FTG3 | 2 | 330645000 | FITTING |
| FTG4 | 1 | 367145000 | FITTING |
| FTG5 | 1 | 490199000 | FITTING |
| FTG6 | 2 | 480195000 | FITTING |
| FTG7 | 1 | 369127000 | FITTING |
| FTG8 | 1 | 330348000 | FITTING |
| ORF1 | 1 | | PLUG ORIFICE |
| ORF2 | 1 | | PLUG ORIFICE |
| PLG4 | 2 | | PORT PLUG |
| PLG6 | 11 | | PORT PLUG |
| NOT SHOWN | 14 | | PLUG |
| BLK | 1 | | BLOCK |

8406H

COUNTERBALANCE VALVE ADJUSTMENT

Counterbalance Valve Adjustment

1. With PTO disengaged and boom properly supported, remove the plug on the counterbalance valve. Install a pressure gauge (0-3000 PSI) into the port.
2. Engage PTO and insure pump flow is 8 to 9 GPM. With no load on boom, boom up to an angle of 70 degrees. Boom down and note pressure. If pressure reading is not approximately 1300 PSI, the counterbalance valve requires adjustment.
 - A. To increase the CB valve setting, loosen nut and turn Allen head screw counter clockwise.
 - B. To reduce the CB valve setting, loosen nut and turn Allen head screw clockwise.
3. Tighten nut on adjustment screw and repeat procedure if needed to obtain the proper pressure setting.
4. Disengage PTO, remove the pressure gauge and install plug. Crane is now ready for operation.

Notice:

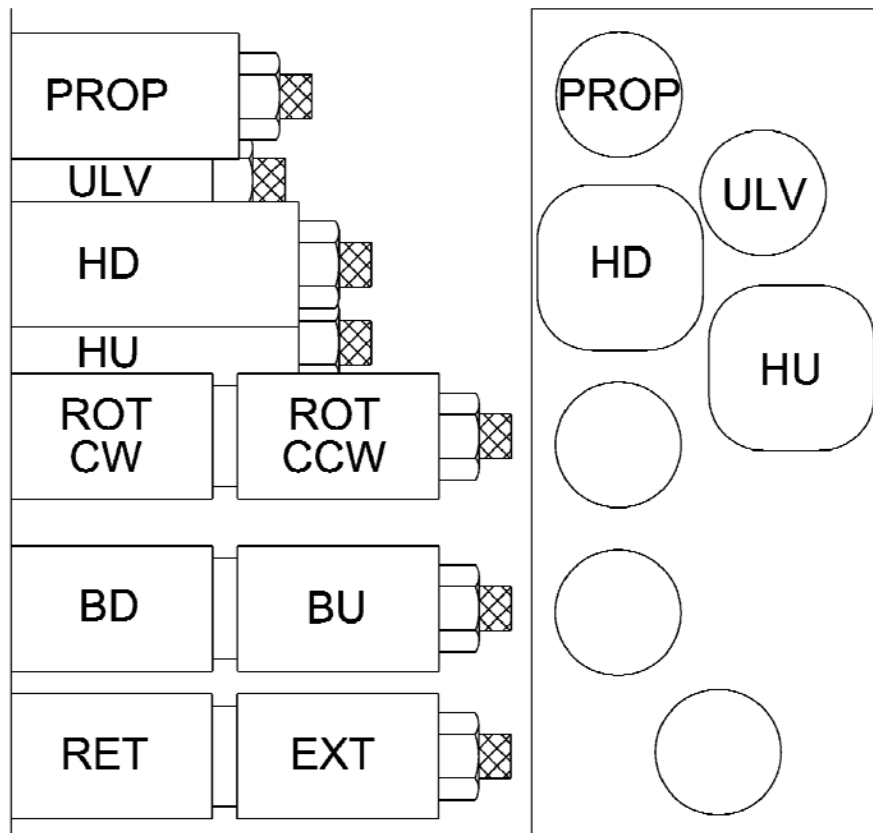
1. In an **EMERGENCY** situation when it becomes necessary to lower the boom without flow present, the CB valve adjustment can be turned in until the boom begins to descend. Make sure the boom will lower onto a proper support. Loosen the lock nut and carefully turn adjustment screw clockwise! Count the number of turns. *Turn slowly until the boom just begins to lower, and remove hand/arm/fingers from cranes while boom is lowering.*
2. Turning adjustment screw too far will cause valve to come apart on the inside. This condition is not repairable
3. After boom is lowered, turn adjustment screw counter clockwise the approximate number of turns made during lowering procedure. After the problem is corrected, readjust the counterbalance valve using the procedure in this manual.

WARNING:

**DO NOT TRY TO ADJUST VALVES WHILE BOOM IS MOVING.
Doing so may result in personal injury!**

8406H

VALVE OVERRIDE OPERATION



DIRECTIONAL CONTROL VALVE IDENTIFICATION

In the event that the electrical control system fails the crane can be operated using the manual overrides on the hydraulic control valve.

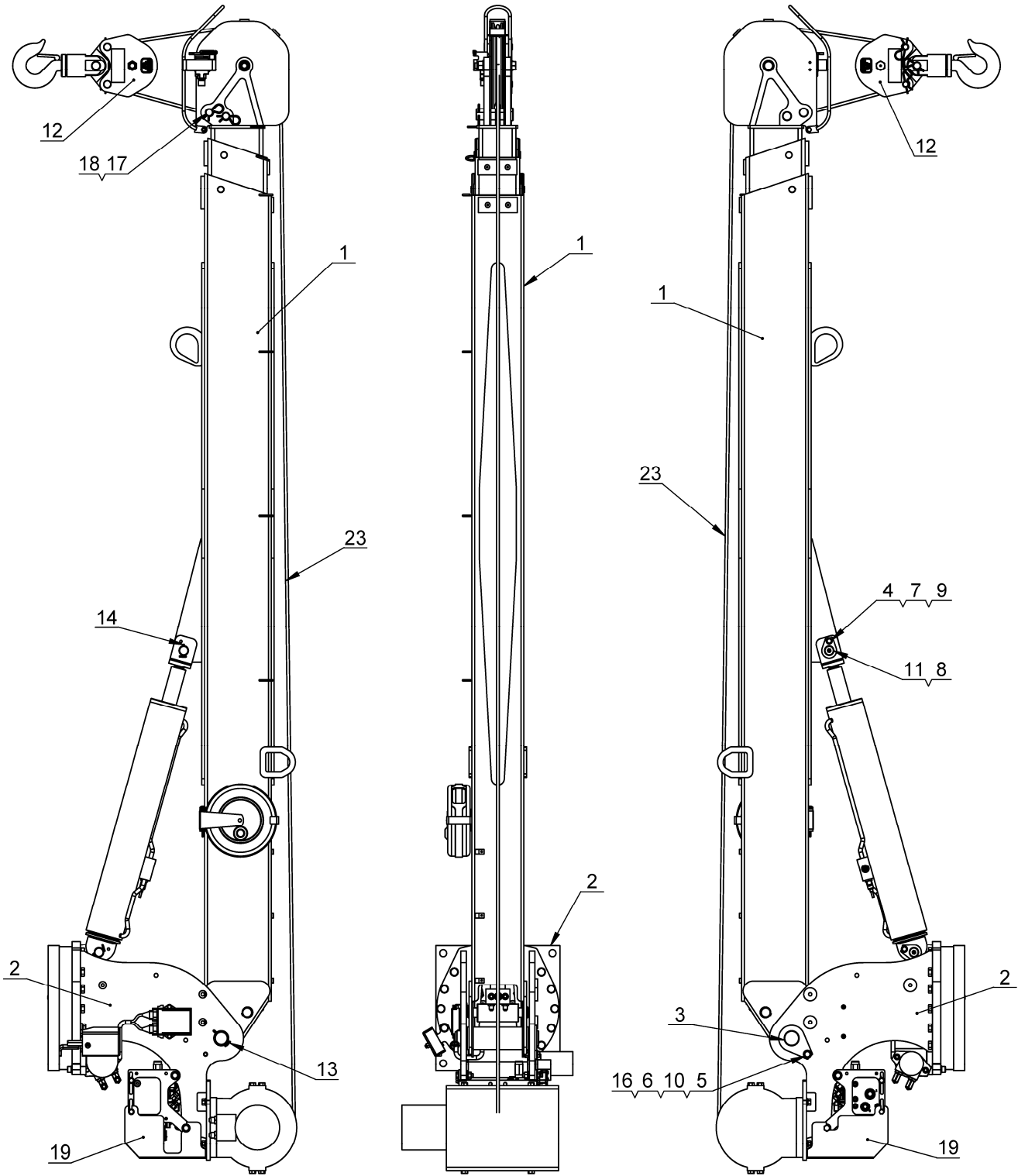
The overrides operate as follows:

1. Proportional – increase flow by turning clockwise.
2. Extend/Retract, Boom Up/Down, Rotate CW/CCW – push to operate boom down, pull to operate boom up etc. See graphics above.
3. Hoist Up/Down, Unload Valve – Push in to operate.

Note: To manually activate a function the crane with no electrical power, you must first turn manual override on proportional clockwise then push in the unload valve while pushing or pulling the function you want to activate.

8406H GENERAL ASSEMBLY

FM - P/N: 480988000



ELECTRICAL SCHEMATIC P/N: 366379000

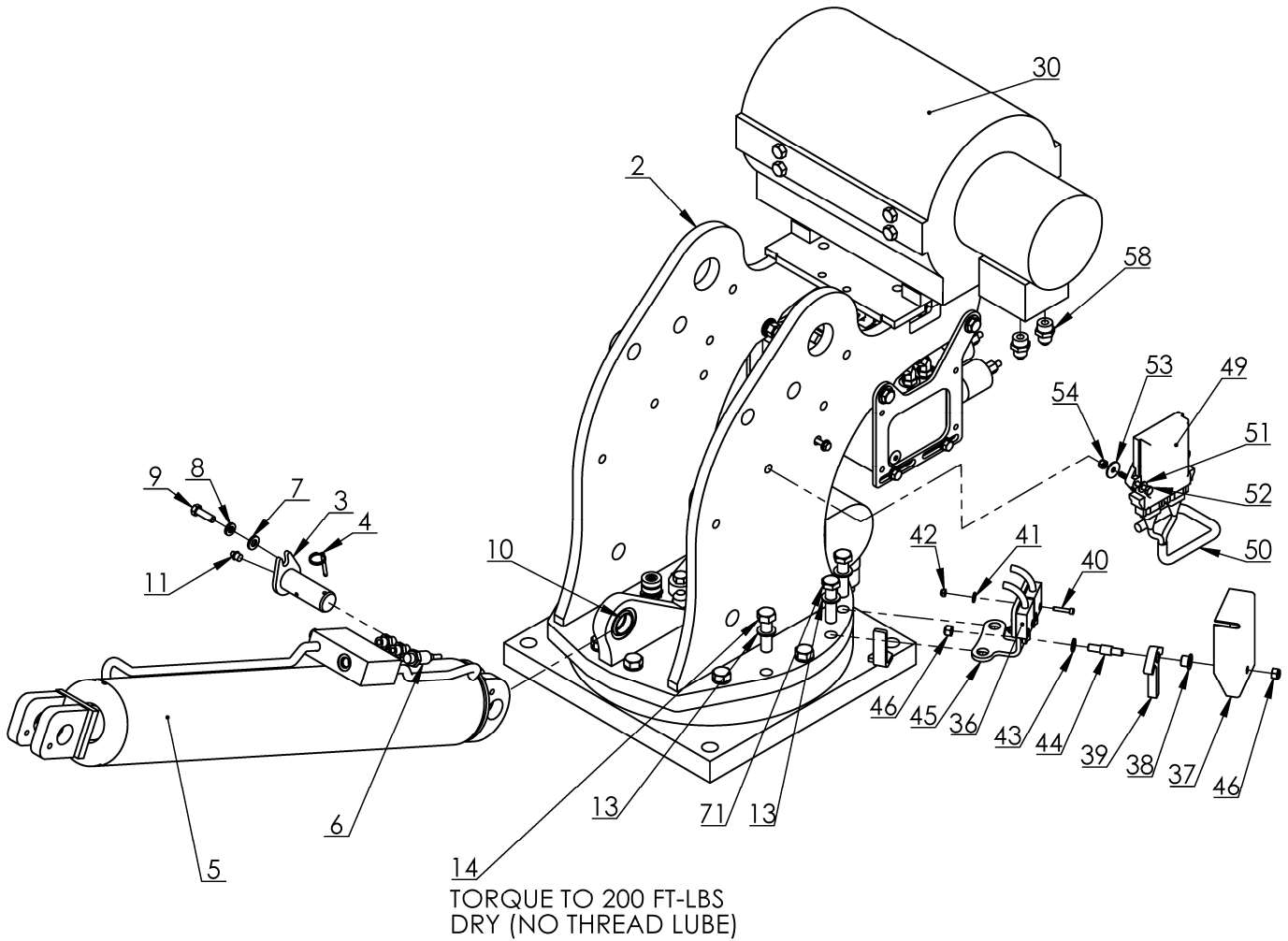
8406H GENERAL ASSEMBLY

FM - P/N: 480988000

| ITEM NO. | QTY. | PART NO. | DESCRIPTION |
|----------|------|-----------|--------------------------------------|
| 1 | 1 | 480988100 | BOOM ASSEMBLY, 8406H |
| 2 | 1 | 480988200 | PEDESTAL ASS'Y 8406H FM |
| 3 | 1 | 480988020 | PIN, PIVOT, 8406H |
| 4 | 1 | 008702000 | SCREW HX HD 3/8-16UNC X 1 1/4 LG GR5 |
| 5 | 1 | 011605000 | SCREW HX HD 1/2UNC X 1-3/4 CP GR5 |
| 6 | 1 | 021500000 | WASHER, SP LK 1/2 |
| 7 | 1 | 021100000 | WASHER SP LK 3/8 |
| 8 | 1 | 239300000 | ZERK, GREASE |
| 9 | 1 | 320976000 | WASHER, FLAT, 3/8 SAE HARDENED |
| 10 | 1 | 021600000 | WASHER FL 1/2 |
| 11 | 1 | 360676000 | PIN, CYLINDER |
| 12 | 1 | 480854000 | TRAVELING BLOCK ASSEMBLY |
| 13 | 1 | 360677000 | PIN, 1/4 COTTERLESS RING |
| 14 | 1 | 360678000 | PIN, 3/16 COTTERLESS RING |
| 15 | 1 | 367238000 | CAP, 10 JIC |
| 16 | 1 | 017701000 | NUT HX 1/2-13UNC |
| 17 | 1 | 470076000 | PIN, 1 DIA 4-11/16 LG |
| 18 | 1 | 360124000 | PIN HITCH |
| 19 | 1 | 480988025 | VALVE COVER |
| 20 | 1 | 360445000 | CAP, 8 JIC |
| 21 | 1 | 480988021 | DECAL LAYOUT/KIT 8406H |
| 22 | 1 | 480988023 | SHIP KIT, 8406H, FM |
| 23 | 1 | 480841000 | ROPE ASSY |
| 24 | 1 | 315004 | ANCHOR-CABLE |

8406H PEDESTAL ASSEMBLY

FM - P/N: 480988200



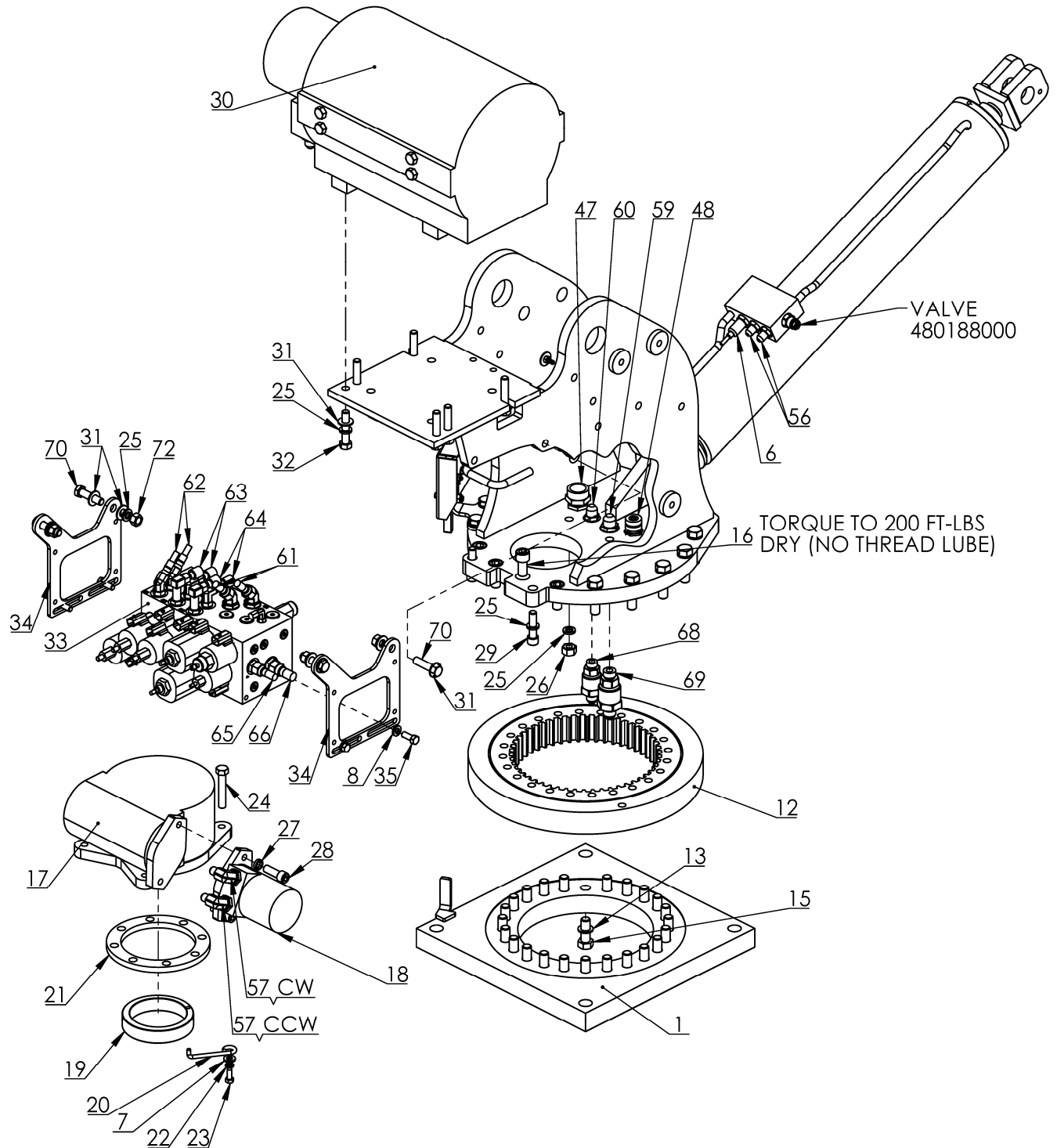
HYDRAULICS:

- "HD" PORT: HOIST DOWN
- "HU" PORT: HOIST UP
- "CW" PORT: ROTATION CW
- "CCW" PORT: ROTATION CCW
- "BU" PORT: LIFT CYL EXTEND
- "BD" PORT: LIFT CYL RETRACT
- "EXT" PORT: EXT CYL EXTEND
- "RET" PORT: EXT CYL RETRACT

CYLINDER SEAL KIT: 480988251
COUNTER BALANCE CARTRIDGE: 480188000

8406H PEDESTAL ASSEMBLY

FM - P/N: 480988200



8406H PEDESTAL ASSEMBLY

FM - P/N: 480988200

| ITEM NO. | QTY. | PART NO. | DESCRIPTION |
|----------|------|-----------|--|
| 1 | 1 | 480988220 | BASE PLATE WELDMENT |
| 2 | 1 | 480988210 | PEDESTAL WELD, LARGE CRANE |
| 3 | 1 | 360676000 | PIN, CYLINDER |
| 4 | 1 | 360678000 | PIN, 3/16 COTTERLESS RING |
| 5 | 1 | 480988250 | CYLINDER, LIFT, 8406H, STROKE - 27.81 |
| 6 | 1 | 366478000 | PRESSURE TRANSDUCER 4000 PSI |
| 7 | 2 | 320976000 | WASHER, FLAT, 3/8 SAE HARDENED |
| 8 | 5 | 021100000 | WASHER SP LK 3/8 |
| 9 | 1 | 008702000 | SCREW HX HD 3/8-16UNC X 1 1/4 LG GR5 |
| 10 | 1 | 366333000 | BEARING, SPHERICAL 1.25 ID |
| 11 | 1 | 239300000 | ZERK, GREASE |
| 12 | 1 | 480023002 | BEARING, ROTATION |
| 13 | 36 | 023902000 | WASHER FL 5/8 HARDENED |
| 14 | 10 | 490171000 | SCREW HX HD 5/8-11UNC X 2 1/4 LG GR8 |
| 15 | 24 | 012198000 | SCREW HX HD 5/8-11UNC X 1 3/4 LG GR8 |
| 16 | 4 | 006205000 | SCREW SOC HD 5/8-11UNC X 1 1/4 LG |
| 17 | 1 | 160407 | GEAR BOX, ROTATION |
| 18 | 1 | 366440000 | ROTATION MOTOR |
| 19 | 1 | 360162000 | RING, ECCENTRIC |
| 20 | 1 | 360207000 | RETAINER ECCENTRIC RING |
| 21 | 1 | 480011000 | SEAL ROTATION BOX |
| 22 | 1 | 020601000 | WASHER SP LK 5/16 |
| 23 | 1 | 007807000 | SCREW HX HD 5/16-18UNC X 3/4 LG GR5 |
| 24 | 2 | 011202000 | SCREW HX HD 1/2-20UNF X 2 3/4 LG GR5 |
| 25 | 14 | 021500000 | WASHER, SP LK 1/2 |
| 26 | 2 | 017704000 | NUT HX HVY 1/2-20UNF |
| 27 | 2 | 021502000 | WASHER SP LK 1/2 HI COLLAR |
| 28 | 2 | 012197000 | SCREW SOC HD 1/2-13UNC X 1 1/2 LG |
| 29 | 2 | 009118000 | SCREW SOC HD 1/2-13UNC X 2 LG |
| 30 | 1 | 123315 | WINCH -RPH 4200 |
| 31 | 14 | 320588000 | WASHER, FL 1/2, HARDENED |
| 32 | 6 | 011609000 | SCREW 1/2 X 2 1/2NC GR5 |
| 33 | 1 | 460140000 | VALVE, CONTROL 4 FUNC, W/BOOM DOWN RELIEF |
| 34 | 2 | 460177250 | PLATE, MANIFOLD MOUNT, LARGE CRANE |
| 35 | 4 | 330371000 | SCREW HX HD 3/8-16UNC X 1 LG GR8 |
| 36 | 1 | 460110000 | ROTATION STOP SWITCH ASSEMBLY |
| 37 | 1 | 366676000 | COVER, ROTATION STOP |
| 38 | 1 | 460079000 | BEARING, ROTATION STOP |
| 39 | 1 | 366671000 | ARM, ROTATION STOP |

8406H PEDESTAL ASSEMBLY

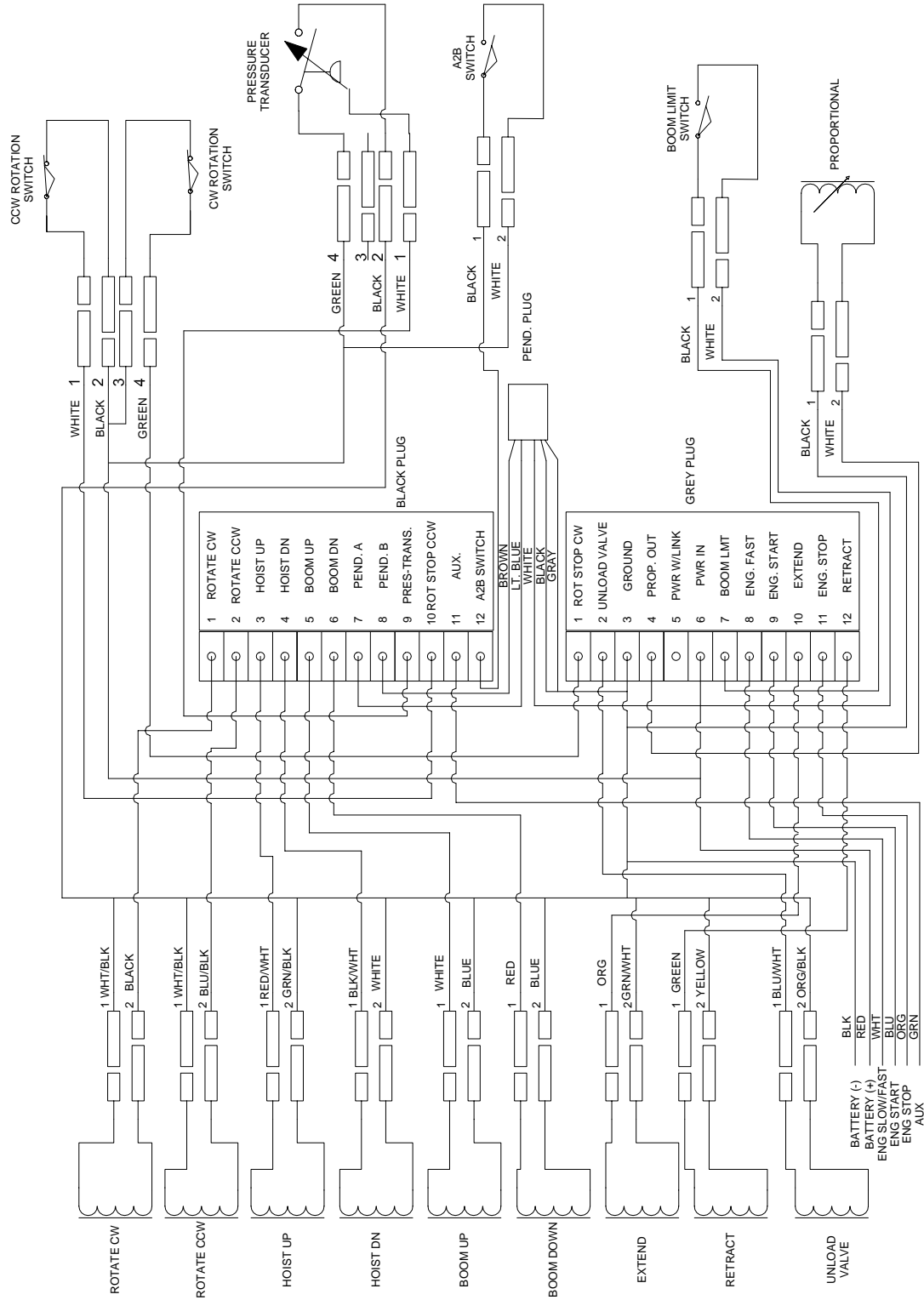
FM - P/N: 480988200

| ITEM NO. | QTY. | PART NO. | DESCRIPTION |
|----------|------|-----------|---|
| 40 | 4 | 460094000 | SCREW, SOC HD, #10-24 X 1"L, ZPL |
| 41 | 4 | 020000000 | WASHER FL #10 ZP |
| 42 | 4 | 015801000 | NUT HX NYLK #10-24UNC ZP |
| 43 | 1 | 366675000 | WASHER, NYLON |
| 44 | 1 | 366673000 | PIN, ROTATION STOP |
| 45 | 1 | 480988255 | PLATE, ROTATION STOP BRACKET |
| 46 | 2 | 017301000 | NUT HX NYLK 3/8-16UNC CP |
| 47 | 1 | 366508000 | CORD GRIP HUBBLE F-3 SHC 1036 |
| 48 | 1 | 366698000 | CORD GRIP .375-.500 3/4" HUB |
| 49 | 1 | 480988260 | FM RECIEVER, 8406H |
| 50 | 1 | 680158000 | MAIN WIRING HARNESS, FM, CRANE BOX PENDANT |
| 51 | 2 | 020300000 | WASHER FL 1/4 |
| 52 | 2 | 330390000 | SCREW, HEX HEAD 1/4-20UNC 2-1/4"LG |
| 53 | 2 | 460177253 | WASHER, 0.28 ID X 1.0 OD X .06 THICK |
| 54 | 2 | 016300000 | NUT HX NYLK 1/4-20UNC |
| 55 | 1 | 813008000 | KIT, HOSE, 8406H |
| 56 | 2 | 200876000 | FITTING 6 SAE/6 JIC STRAIGHT |
| 57 | 2 | 490198000 | FITTING 10SAE(M)/6JIC ELBOW 90 |
| 58 | 2 | 372041000 | FITTING 8JIC/10SAE STRAIGHT 8-10 F5OX |
| 59 | 1 | 490199000 | FITTING STR 10-SAE/10-JIC |
| 60 | 1 | 367145000 | FITTING STR 8-SAE/8-JIC |
| 61 | 2 | 812303023 | HOSE ASSY 8 JIC STR |
| 62 | 2 | 812203022 | HOSE ASSY, -6 JIC FEM, STR |
| 63 | 2 | 812203037 | HOSE ASSY 6 JIC STR |
| 64 | 2 | 480205000 | HOSE ASSY 6 STR X 19.25 |
| 65 | 1 | 812309026 | HOSE ASSY 8 STR/90 |
| 66 | 1 | 812409023 | HOSE ASSY 10 STR/90 |
| 67 | 1 | 374086000 | NYLON HOSE SLEEVE |
| 68 | 1 | 366359000 | FITTING, -8 SAE / -8 JIC, SWIVEL, STR |
| 69 | 1 | 366358000 | FITTING, -10 SAE / -10 JIC, SWIVEL, STR |
| 70 | 4 | 011608000 | SCREW HX HD 1/2UNC X 2 GR5 |
| 71 | 2 | 368121000 | SCREW HX HD 5/8UNC X 2-1/2 CP GR8 |
| 72 | 4 | 017701000 | NUT HX 1/2-13UNC |

NOTES

8406H ELECTRICAL SCHEMATIC

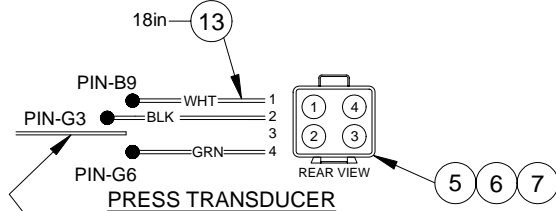
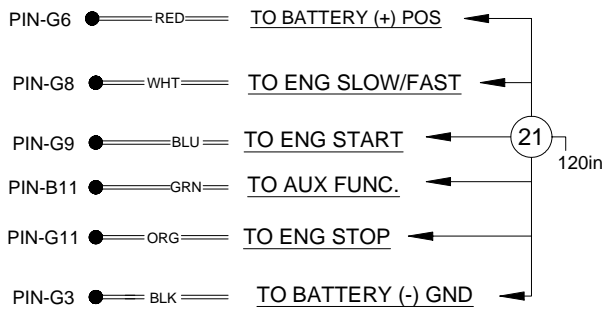
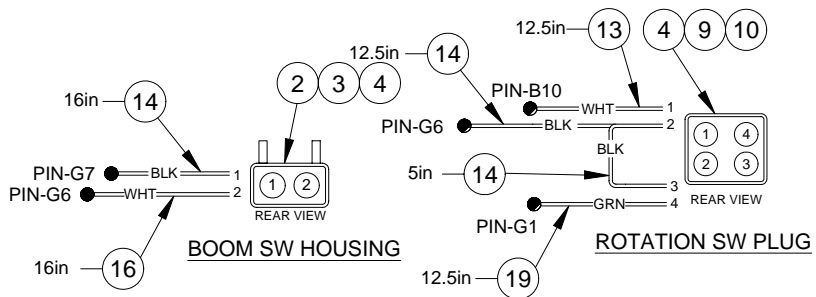
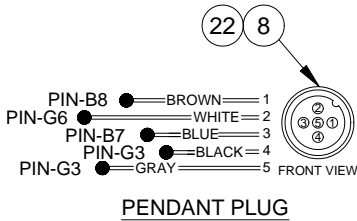
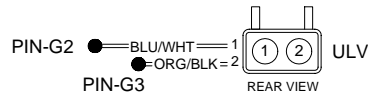
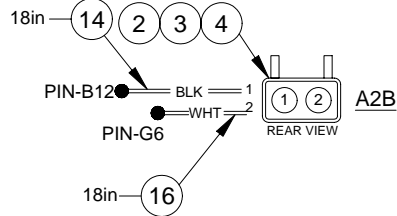
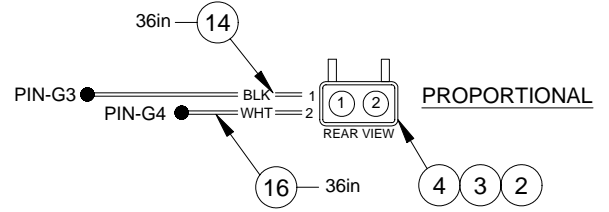
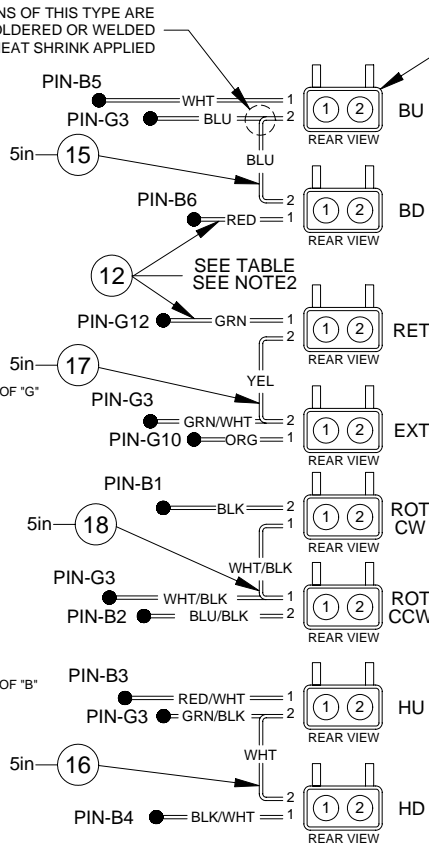
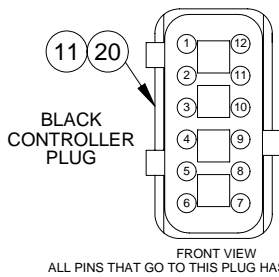
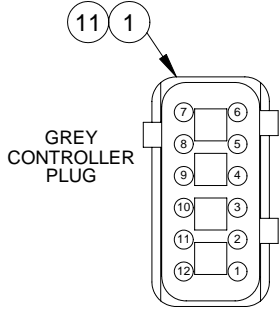
FM – P/N: 366379000



8406H MAIN WIRING HARNESS

FM - P/N: 361102000

NOTE: ALL CONNECTIONS OF THIS TYPE ARE TO BE SOLDERED OR WELDED AND HEAT SHRINK APPLIED



TERMINATE SHIELD WITH OUTER SLEEVE THIS END
CONNECT TO BLK OPPOSITE END

8406H MAIN WIRING HARNESS

FM - P/N: 361102000

| ITEM NO. | QTY. | PART NO. | DESCRIPTION |
|----------|----------|-----------|------------------------------------|
| 1 | 1 | 680163000 | HOUSING DEUTSCH 12-PIN (GRAY) |
| 2 | 12 | 366367001 | HOUSING DEUTSCH CONNECTOR |
| 3 | 12 | 366367002 | WEDGE DEUTSCH PLUG 2-PIN |
| 4 | 28 | 366367003 | CONTACT DEUTSCH CONNECTOR (SOCKET) |
| 5 | 1 | 366376001 | HOUSING DEUTSCH RECEPTACLE 4-PIN |
| 6 | 1 | 366376002 | WEDGE DEUTSCH 4-PIN |
| 7 | 4 | 366376003 | CONTACT DEUTSCH CONNECTOR (PIN) |
| 8 | 1 | 680164000 | RECEPTACLE, PENDANT PLUG |
| 9 | 1 | 320931002 | WEDGE DEUTSCH PLUG 4-PIN |
| 10 | 1 | 320931001 | HOUSING DEUTSCH PLUG 4-PIN |
| 11 | 24 | 680163001 | CONTACT DEUTSCH CONNECTOR (SOCKET) |
| 12 | 36 in | 800633000 | CABLE 16 GA 14 COND |
| 13 | 18 in | 750038000 | CABLE 18 GA 4 COND SHIELDED |
| 14 | 87.5 in | 800590000 | WIRE 16 GA 1 COND BLACK |
| 15 | 5 in | 800594000 | WIRE 16 GA 1 COND BLUE |
| 16 | 105.5 in | 800592000 | WIRE 16 GA 1 COND WHITE |
| 17 | 5 in | 800596000 | WIRE 16 GA 1 COND YELLOW |
| 18 | 5 in | 800603000 | WIRE 16 GA 1 COND WHITE W/BLACK |
| 19 | 12.5 in | 800595000 | WIRE 16 GA 1 COND GREEN |
| 20 | 1 | 680163002 | HOUSING DEUTSCH 12-PIN (BLACK) |
| 21 | 120 in | 800629000 | CABLE 16 GA 6 COND |
| 22 | 1 | 680164001 | COVER, PENDANT PLUG RECEPTACLE |

FM CONTROL USE AND CARE

TRANSMITTER LAYOUT

There is a red light to the left of the *ON/OFF Toggle switch* and a yellow light to the right. As the battery runs down, the red light will begin to flash slowly as the yellow light begins to flash rapidly.

If the yellow light is rapidly flashing this indicates that the unit is transmitting. Refer to the Transmitter Diagnostics Section for a detailed explanation of each light combination.

In addition to the two lights mentioned above there are four function toggle switches. These functions from left to right are to be used to raise and lower the boom, raise and lower the hoist cable, rotate the crane and extend and retract the boom. There are also two toggle switches one for *Engine Start/Stop* and one for *Engine Fast Idle/AUX* (the auxiliary switch can be wired to start your air compressor).



POWER ON/OFF BUTTON

The transmitter is powered by 4-AA alkaline batteries, located under the back cover of the housing. To turn the transmitter on, press and hold the *Power On Toggle*, release once the transmit light starts blinking. To turn the unit off, press and hold the power off toggle, release after the transmit light stops flashing.

FUNCTION SWITCHES

To operate a function, toggle one of the function switches with either the thumb of the hand holding the unit or the thumb or fingers of the opposite hand. Using the forefinger of the hand holding the unit, slowly pull the trigger back to start the function. The speed of the function increases as the trigger is pulled. More than one function can be activated at one time.

NOTE: A FUNCTION SWITCH MUST BE ACTIVATED BEFORE THE TRIGGER IS PULLED OR THE CRANE WILL NOT OPERATE.

FM CONTROL USE AND CARE

AUXILIARY SWITCHES

Functions described in this paragraph will not work if not properly connected to the vehicle at the time of installation. Toggle the *Engine Fast Idle/AUX* switch up to provide a maintained voltage to a throttle control, toggle the switch up again to return to low idle. To stop the engine, toggle the *Engine Start/Stop* switch down, hold the switch down until engine dies. To start the engine, toggle the *Engine Start/Stop* switch up, hold the switch until engine starts. To activate the auxiliary function, toggle the *Engine Fast Idle/AUX* switch down.

SAFETY FEATURES

For safety reasons the speed of the rotation function is reduced when the lift cylinder pressure exceeds a set pressure. This will occur under load or under boom down operation. To limit slow operation of an unloaded crane, activate boom up momentarily after booming down to relieve cylinder pressure created by the counterbalance valve.

The crane is also equipped with an anti-bridging feature. The logic in the receiver will not allow the operator to rest the boom of the crane on a load supporting structure and lift a load. Doing so is dangerous and could damage the crane. When the crane is bridged, all functions except "BOOM UP" will be disabled.

OPERATION FAILURE

If the crane does not operate as expected, refer to the front panel diagnostics section of this manual. Please note that "ESTOP" and "STATUS" lights will be green during normal operation. The "LINK" light will be green when the transmitter is on.

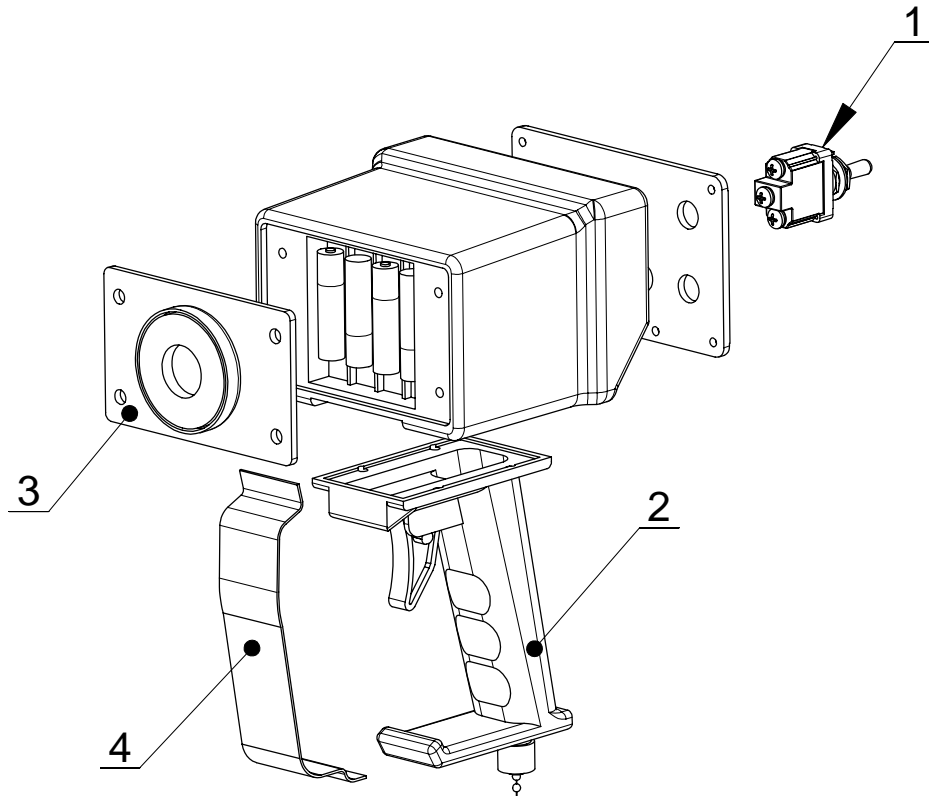
CARE

KEEP DRY. Do not clean the transmitter / receiver under high pressure. If water or other liquids get inside the transmitter battery or receiver compartment, immediately dry the unit. Remove the case and let the unit air dry.

WELDING

DISCONNECT THE RADIO RECEIVER BEFORE WELDING on the crane, load, or truck. Failure to disconnect will result in the destruction of the radio receiver.

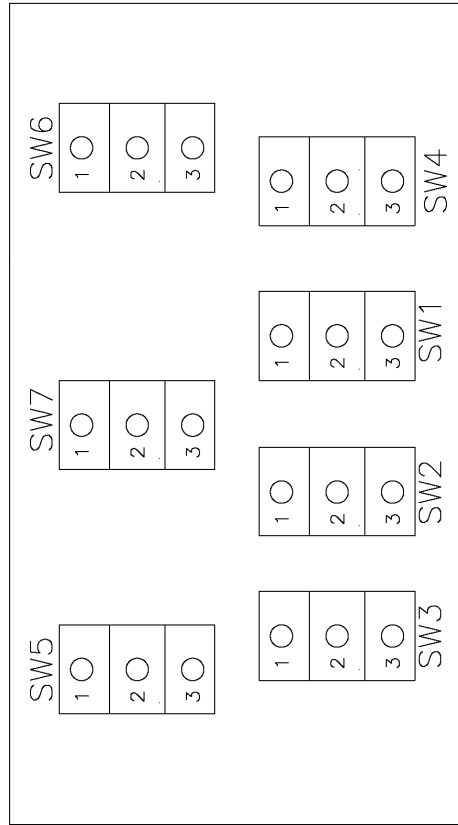
FM CONTROL TRANSMITTER - P/N: 460156000



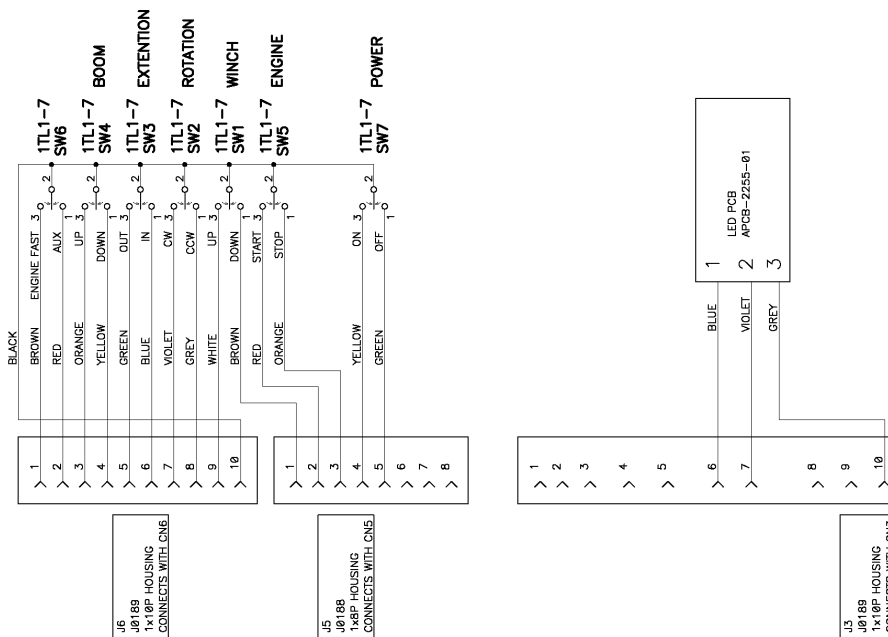
| ITEM NO. | QTY. | PART NO. | DESCRIPTION |
|----------|------|-----------|-------------------------------------|
| 1 | 7 | 460166000 | TOGGLE SWITCH KIT (OMNEX) |
| 2 | 1 | 460167000 | HANDLE, TRANSMITTER W/ TRIGGER |
| 3 | 1 | 460163000 | COVER, TRANSMITTER BATTERY W/MAGNET |
| 4 | 1 | 460162000 | GUARD, TRIGGER (OMNEX) |

FM CONTROL TRANSMITTER - P/N: 460156000

Front Panel Switch Location Map
(Viewed from Back/Component Side)

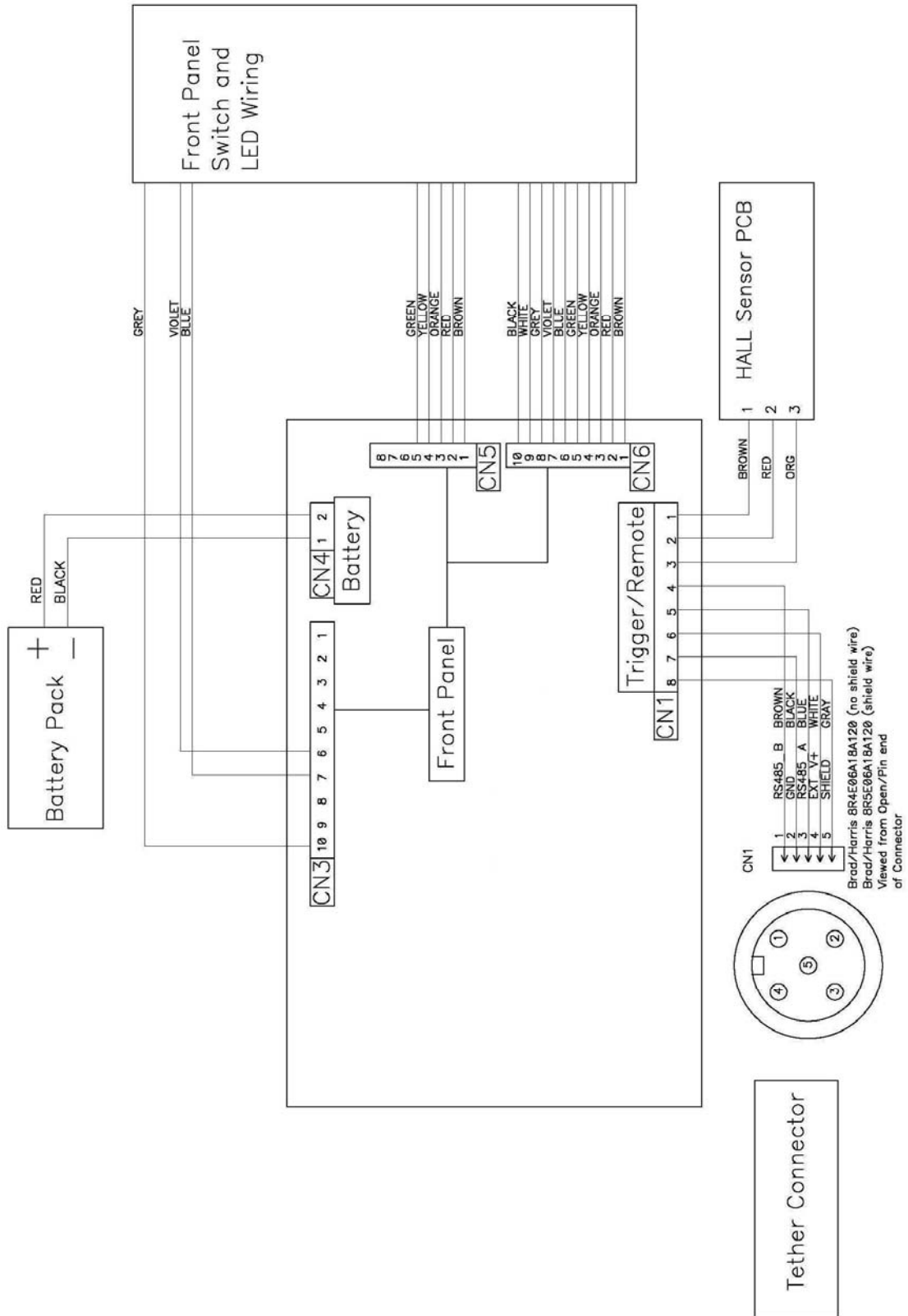


Front Panel Wiring Detail



NOTES

FM CONTROL TRANSMITTER - P/N: 460156000



FM CONTROL TRANSMITTER DIAGNOSTICS

| | |
|--|--|
| | <p>Tether connection detected</p> |
| | <p>Low battery. Unit will run approximately 10 hours after Battery light starts flashing.</p> |
| | <p>Flashing rapidly for 10 seconds indicates a transmitter failure.</p> |
| | <p>Normal Operation The Active light will flash several times per second, indicating that the transmitter is sending signals to the receiver. The Active light will remain on momentarily whenever a function changes</p> |
| | <p>Normal Operation The transmitter is in Download Mode.</p> |
| | <p>Stuck switch detected. Ensure that all switches are in a centered position. The transmitter will not power up when a function is ON.</p> |
| | <p>On Power Down Unit is still powered. Check for stuck switches, as the transmitter will not power down when a function is ON. Alternating flash means that the transmitter is in Calibration Mode.</p> |

| | | | | | | | |
|----------------------------|---------------|--------------------|--------------------|-------------------|---------------------|----------------------|---|
| <p>Light Legend</p> | <p>Solid </p> | <p>Slow Flash </p> | <p>Fast Flash </p> | <p>Red Light </p> | <p>Green Light </p> | <p>Yellow Light </p> | <p>Alternating Red & Green Light </p> |
|----------------------------|---------------|--------------------|--------------------|-------------------|---------------------|----------------------|---|

FM CONTROL RECEIVER DIAGNOSTICS

Normal Operation

| ESTOP | FAULT | LINK | STATUS | Description |
|-------|-------|------|--------|--|
| RED | ○ | RED | GRN | Transmitter is OFF If the transmitter is off, the receiver is operating properly. |
| GRN | ○ | GRN | GRN | Transmitter is ON When the transmitter is turned on, the Link light (fast flashing) and E-Stop (GREEN) indicates the receiver is operating properly |
| GRN | GRN | GRN | GRN | Transmitter is in Operation When a function is activated on the transmitter, the Fault light will turn on GREEN. This indicates the receiver is operating properly |
| RED | GRN | RED | GRN | Transmitter is OFF When a latched function is activated then the transmitter is turned off, the Fault light will stay on GREEN. If the system was intentionally designed this way, the receiver is operating properly, if not call for service. |

Trouble Indicators

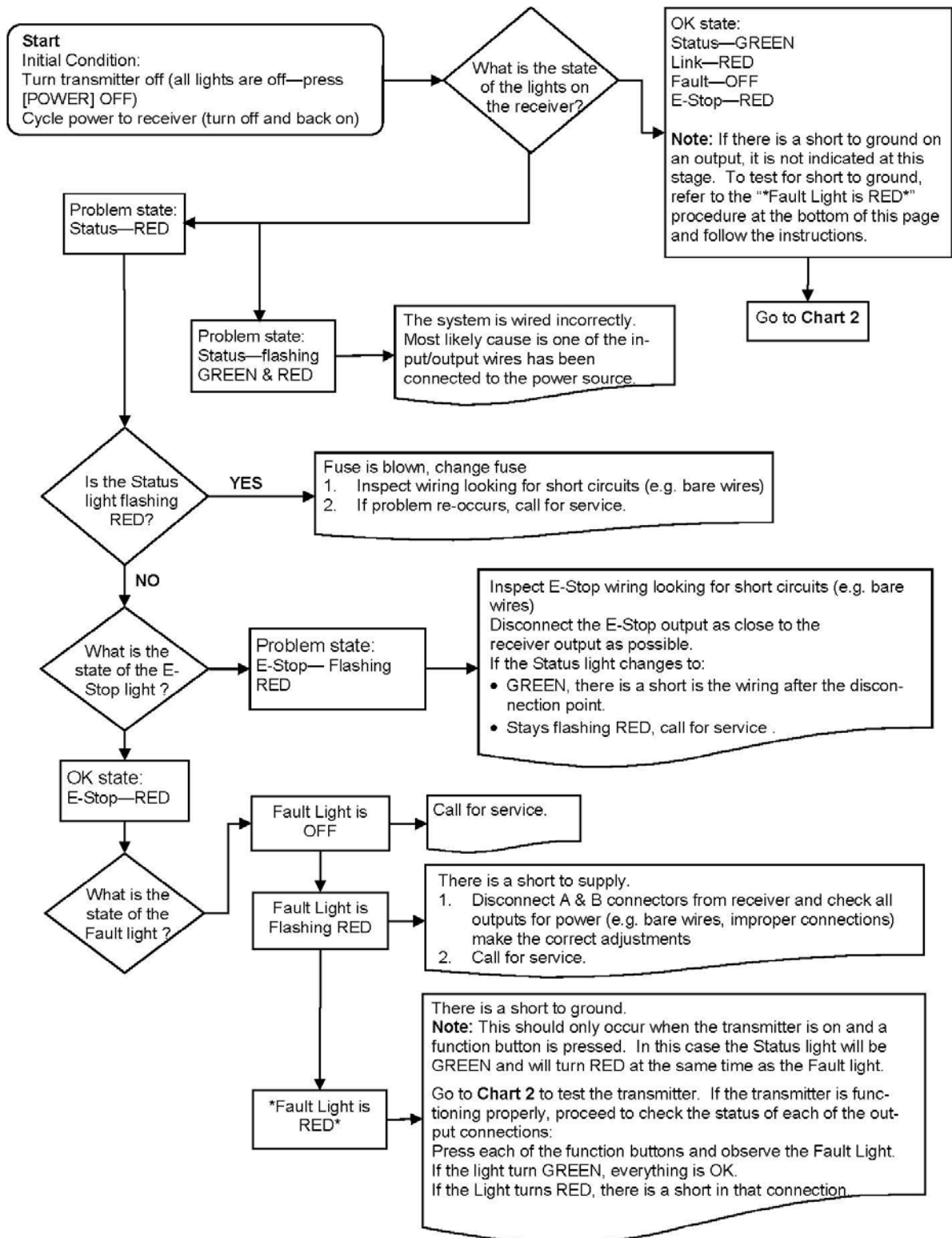
Note: In some cases, the indicator lights will be different depending on whether the transmitter is on or off. Please note the transmitter status in the "Description" column for each case.

| Indicator Lights | Description | Solution |
|---------------------|--|---|
| RED ○ RED GRN | Transmitter is ON The reason is the transmitter is not communicating with the receiver. | Refer to Trouble Shooting Chart #3 for solutions |
| GRN ○ GRN GRN | Transmitter is ON A low battery condition has been detected. | To detect intermittent conditions caused by poor or corroded ground or power circuits, the GREEN light will continue to flash for 30 seconds after the condition has been removed. |
| RED GRN RED | Transmitter is ON An internal fault with the E-Stop has been detected. | Check fuse, if OK then: Inspect E-Stop wiring for short circuit. Disconnect E-Stop wire as close to the receiver output as possible. If the Status light changes to: <ul style="list-style-type: none"> • GREEN, a short occurs after disconnection point. • Stays flashing RED, send it in for service . |
| GRN RED GRN RED | Transmitter is ON A short to ground or excessive current draw on an output. It is most likely caused by a wiring fault. | Ensure transmitter is functioning properly, check status of each output connection: Press each function button and observe Fault Light. <ul style="list-style-type: none"> • If GREEN, everything is OK. • If RED, there is a short in that connection. |
| GRN RED GRN RED | Transmitter is ON E-Stop output is connected with one of the other outputs or one of the outputs is shorted to power | Turn off transmitter, if condition clears follow E-Stop wire and check for connections with other wires. If condition remains one of the outputs is shorted to power. |
| RED RED RED RED | Transmitter is OFF A wiring short to the battery has been detected. | Refer to Trouble Shooting Chart #1 for solutions |
| RED ○ RED RED | Transmitter is OFF The receiver has detected an internal fault. | Refer to Trouble Shooting Chart #1 for solutions |
| GRN ○ RED RED | Transmitter is ON Blown fuse detected. (not functional with proportional units) | Refer to Page 8 for instructions on how to open the receiver case to access fuse. Check wiring for shorts or bare spots. If fuses continue to blow, call for service. |
| RED ○ RED RED | A setup failure has occurred. | Either hold the Setup button for 5 seconds to return to Setup mode or cycle power to return to the normal operating mode. |
| RED RED RED RED-GRN | Transmitter is OFF The receiver is powered incorrectly. | Most likely cause of this condition is that an output wire or the E-Stop wire has been connected to a power source while the power wire is disconnected from the Power Input (A6). I.E. Receiver is being powered from an output and not Power Input. |

| Light Legend | Solid | Slow Flash | Fast Flash | Red Light | Green Light | Yellow Light | Alternating Red & Green Light |
|--------------|-------|------------|------------|-----------|-------------|--------------|-------------------------------|
| | ○ | ○ | ★ | ● | ● | ● | ★ |

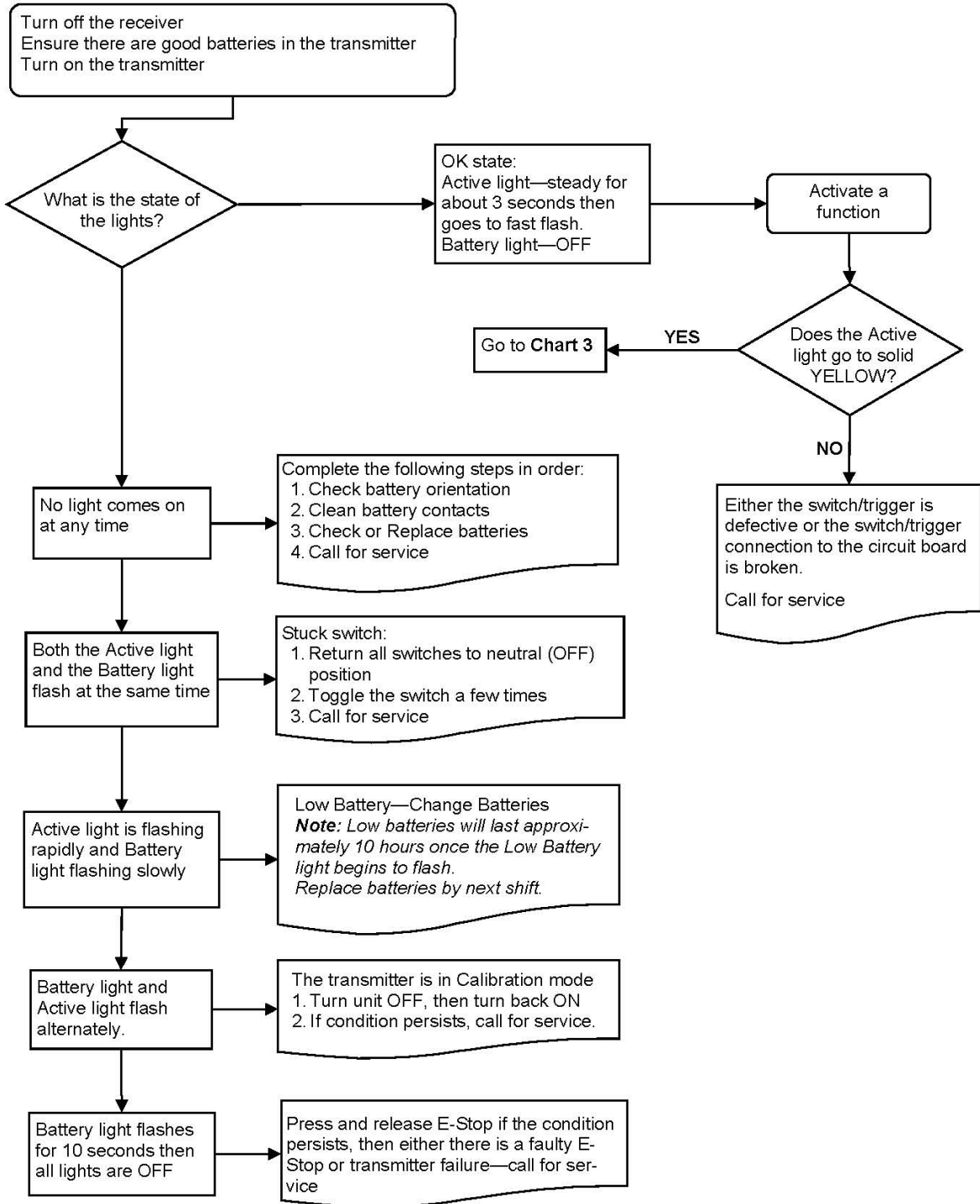
FM CONTROL TROUBLESHOOTING CHART 1

Test the Receiver—R160



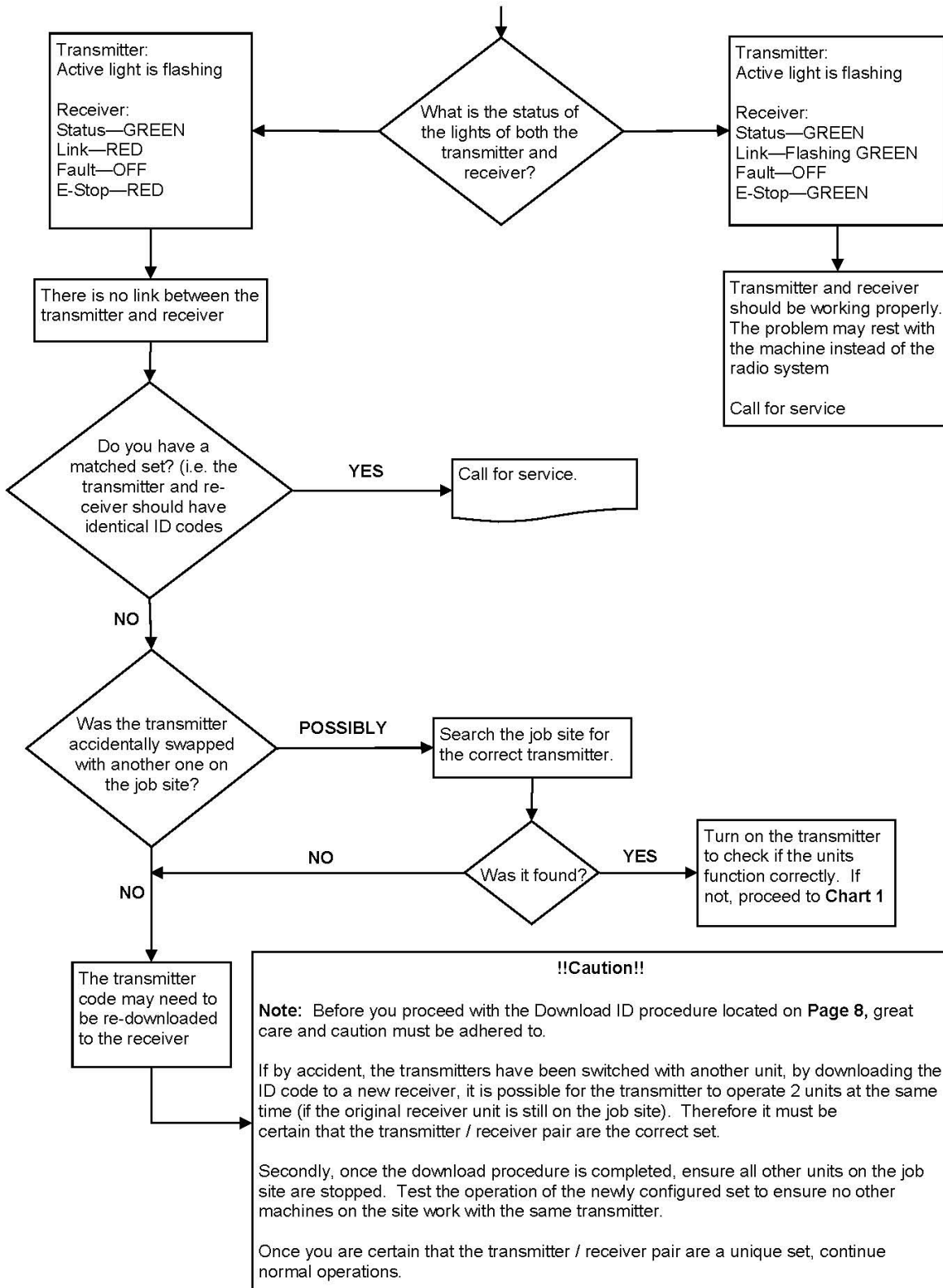
FM CONTROL TROUBLESHOOTING CHART 2

Test the Transmitter—T150



FM CONTROL TROUBLESHOOTING CHART 3

Testing the Transmitter / Receiver Communication



FM CONTROL CALIBRATING PROPORTIONAL CONTROLS

Calibrating Proportional Controls

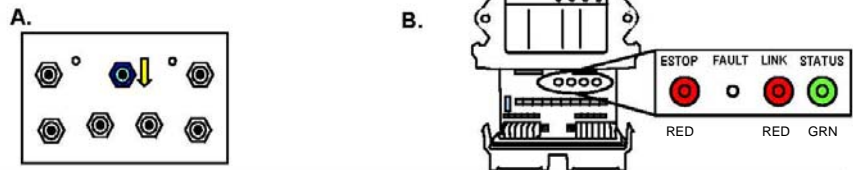
The transmitter's trigger controls the receiver's proportional output. The trigger is used in conjunction with any of the transmitter's switches. The proportional output can be activated when a switch is held UP or DOWN; it will become active at an increasingly high level as the trigger is pulled. The minimum and maximum levels of the proportional output can be calibrated by following these steps.

Refer to the **Light Legend** below for diagram details.

NOTE: Calibration settings can be reset to factory default in steps 4 & 5 by holding the [ENGINE] switch UP or DOWN for 5 seconds.

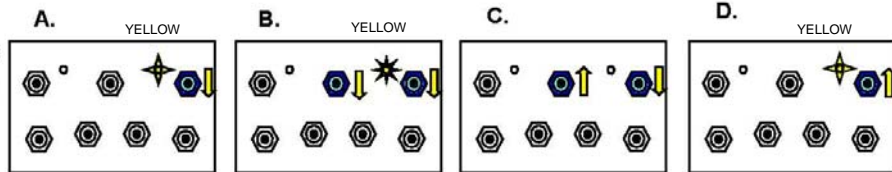
1. Prepare T150, Power R160

- A. Press [POWER] OFF
- B. Supply power to the receiver



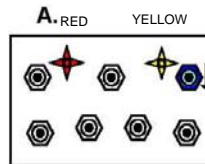
2. Power T150 into Configuration Mode

- A. Hold [ENGINE] switch DOWN in the STOP position
- B. Press [POWER] OFF switch
- C. Release [POWER] OFF switch
- D. Release [ENGINE] switch



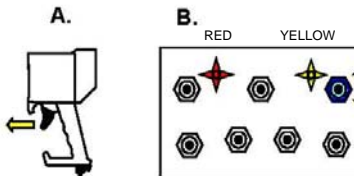
3. Set T150 into Calibration Mode

- A. Press & release [ENGINE] switch DOWN in the STOP position



4. Set Minimum Level

- A. Keep Trigger released to set minimum level
- B. Press [ENGINE] switch UP to increase minimum level or DOWN to decrease it

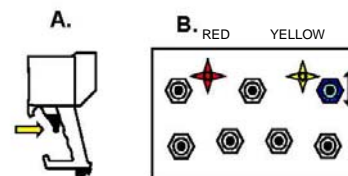


NOTE: All switches, except the ENGINE switch, remain active in Calibration Mode.

A switch can be activated during calibration to help determine the desired levels.

5. Set Maximum Level

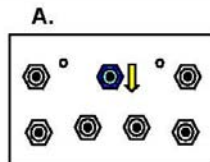
- A. Keep Trigger fully engaged to set maximum level
- B. Press [ENGINE] switch UP to increase maximum level or DOWN to decrease it



To reset the MIN and MAX settings to factory default, hold the [ENGINE] switch either UP or DOWN for 5 seconds

6. Power Off

- A. Press [POWER] OFF



| Light Legend | Solid | Slow Flash | Fast Flash | Red Light | Green Light | Yellow Light | Alternating Red & Green Light |
|--------------|-------|------------|------------|-----------|-------------|--------------|-------------------------------|
| | ○ | ◐ | ◑ | ● | ● | ● | ◑ |

FM CONTROL ID CODE PROGRAMING

Download ID Code (Use in case of Link Test failure)

Follow these steps to download the transmitter's unique ID Code into the receiver. This will allow the receiver to establish a radio link with that transmitter.

Refer to the **Light Legend** below for diagram details.

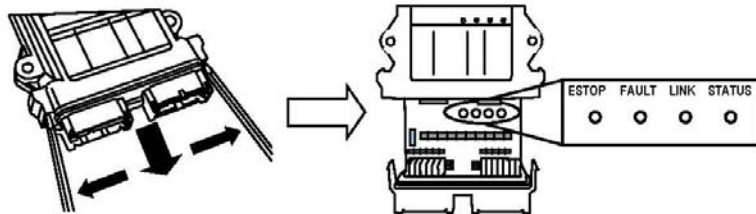
NOTE: It is necessary to download the ID Code when replacing either the transmitter or the receiver.

NOTE: If the transmitter is connected to the receiver with a Tether Cable, completing **only steps 3 and 5** is necessary (it is not necessary to open the R160 case and press the Setup button).

1. Opening the R160 Case

The cap is held on by two plastic tabs at opposing sides, which can be unlatched as shown using a screwdriver. Once the cap is free, the R160 can slide open.

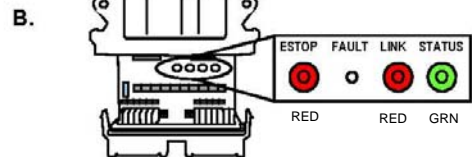
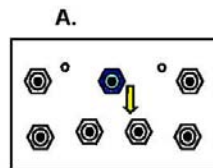
Use a small slotted screwdriver to press the Side Tabs inward.



2. Prepare T150, Power R160

A. Press [POWER] OFF

B. Supply power to the receiver



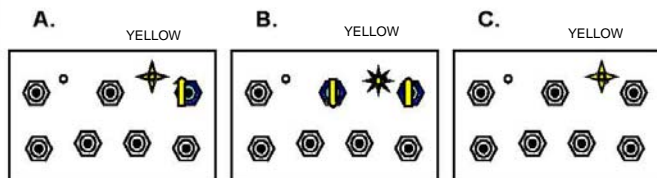
3. Power T150 into Configuration Mode

A. Press & hold [ENGINE] switch in the START position

B. Press & release [POWER] switch in the OFF position

C. Release [ENGINE] switch

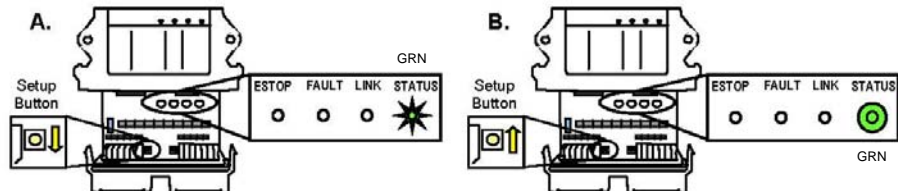
The ACTIVE LED will flash once per second.



4. Put R160 into Setup Mode

A. Press & hold [Setup] button until (Status) light goes from slow flash to fast flash

B. Release [Setup] button. (Status) light goes to solid GREEN, (Link) light turns off

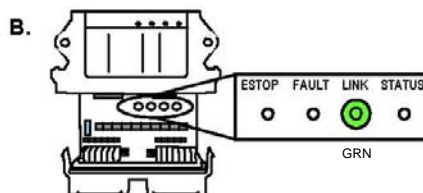
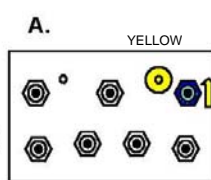


NOTE: If left idle in Setup Mode for over 30 seconds, the receiver will time out. The (Link) light and (Status) light will flash RED rapidly. To return to Setup Mode, repeat step 4.

5. Download ID Code

A. Press & release [ENGINE] switch in the START position

B. The R160 (Link) light goes to GREEN. Once complete, (Link) light goes to RED as the transmitter turns off



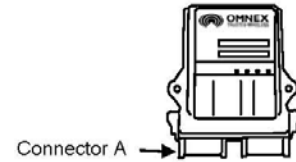
NOTE: When replacing the receiver cover, ensure the cover snaps completely into place to create a weather proof seal around the base of the receiver.

| Light Legend | Solid | Slow Flash | Fast Flash | Red Light | Green Light | Yellow Light | Alternating Red & Green Light |
|--------------|-------|------------|------------|-----------|-------------|--------------|-------------------------------|
| | ○ | ⋄ | ✦ | ● | ● | ● | ✦ |

FM CONTROL ID CODE PROGRAMING (CONT.)

!!Caution!!

Note: Before attempting reprogramming with another transmitter, understand that reprogramming the receiver with another transmitter, could result in two receivers on the job site responding to the one transmitter. If the original transmitter was sent in for repair, disconnect the receiver (disconnect connector A) to continue using the machine without remote capability and without fear of inadvertently operating the machine with the other transmitter.

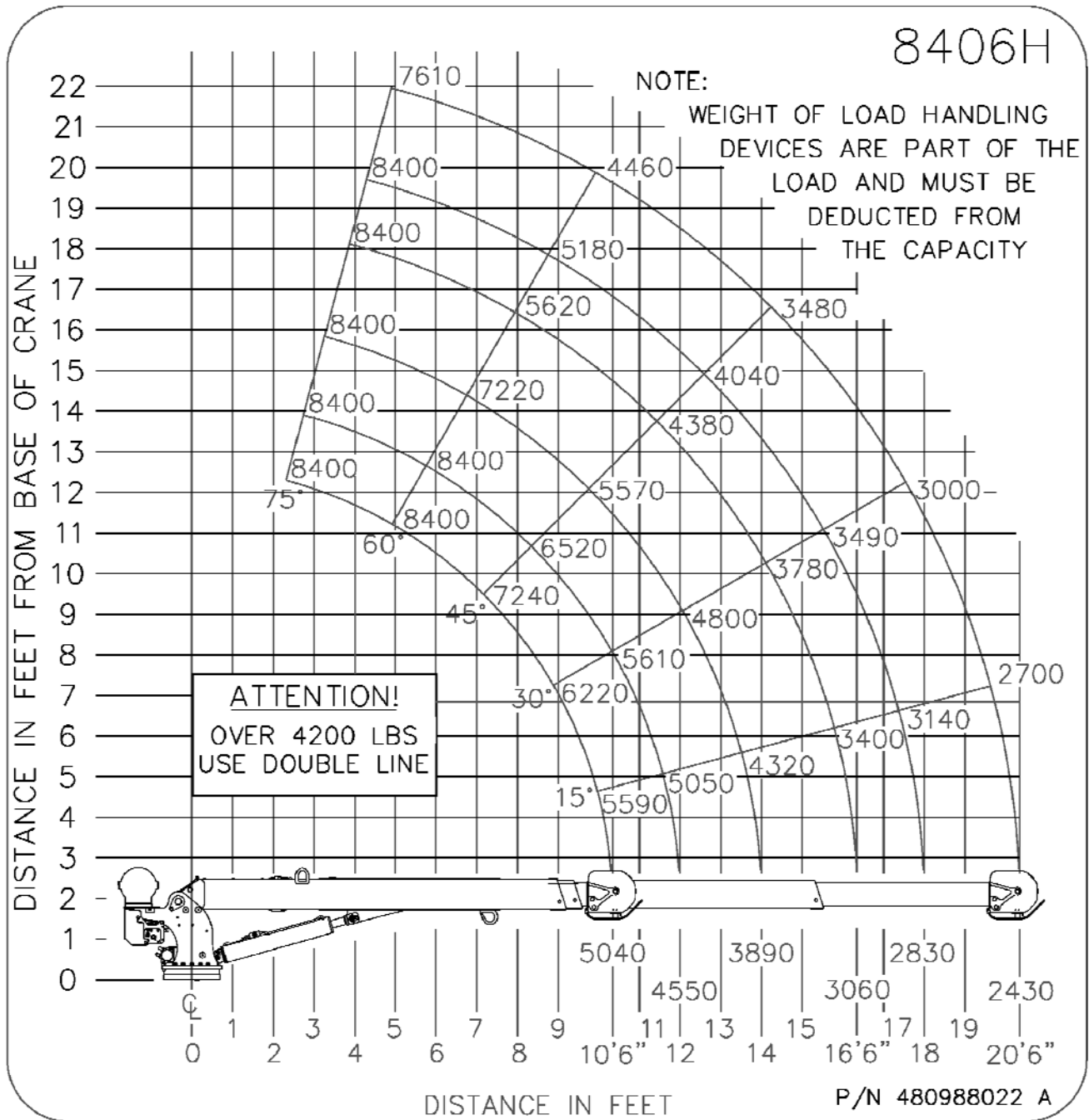


Reprogramming Tips:

1. Use a pointy instrument to depress the Setup button on the receiver (i.e. a pen) as the button is relatively small
2. Follow each step as laid out in the procedure
3. Never lay the receiver circuit board down on anything metallic (there are contact points on the back which could contact the metal and damage the receiver)

8406H LOAD CHART

P/N: 480988022





P.O. Box 580697 * Tulsa, OK 74158-0697
4707 N. Mingo Rd. * Phone (918) 836-0463

LIMITED WARRANTY 2 YEAR PARTS AND LABOR

Auto Crane will warranty to the consumer for a period of (2) years parts and labor from the date of purchase. Each new Auto Crane unit they sell will be free under normal use and service from defects in material and workmanship. Date of purchase will be honored as the date indicated on the Bill of Sale, which must accompany the Warranty Registration and be on file with Auto Crane. Absent a valid Warranty Registration and appropriate documentation, the original date of manufacture, as indicated by the serial number on the product, will be used to determine the effective date of the 2 year warranty.

The obligation of Auto Crane under this warranty is limited to the replacement or repair of parts that appear to the manufacturer after review and/or inspection to be defective and paid flat rate labor for replacing defective parts. This warranty does not obligate Auto Crane to bear the travel time charges in connection with the replacement or repair of defective parts. Responsibility for customer's claims arising from misapplication, abuse, misuse or alteration of equipment or parts lies with the distributor or user and no warranty obligation is assumed in these circumstances by Auto Crane.

Auto Crane will in no event be liable for any consequential damages or contingent liabilities arising out of the failure of any Auto Crane Product or parts to operate properly.

Auto Crane makes no warranty in respect to component accessories, it being subject to the warranties of their respective manufacturers.

If field service, at the request of the distributor, is rendered and fault is found not to be with Auto Crane's product, the distributor shall pay the time and expense of the field representative.

Claims for service labor or other expenses that have incurred by the buyer without approval or authorization or Auto Crane will not be accepted.

When applying for warranty, claims may be handled by contacting your nearest authorized Auto Crane Distributor. All claims are to be filed in writing on an Auto Crane Warranty Claim Form.

AUTO CRANE COMPANY IS UNDER NO OBLIGATION TO EXTEND THIS WARRANTY TO ANY CUSTOMER FOR WHICH AN AUTO CRANE DELIVERY REPORT FORM HAS NOT BEEN COMPLETED AND ON FILE WITH AUTO CRANE COMPANY